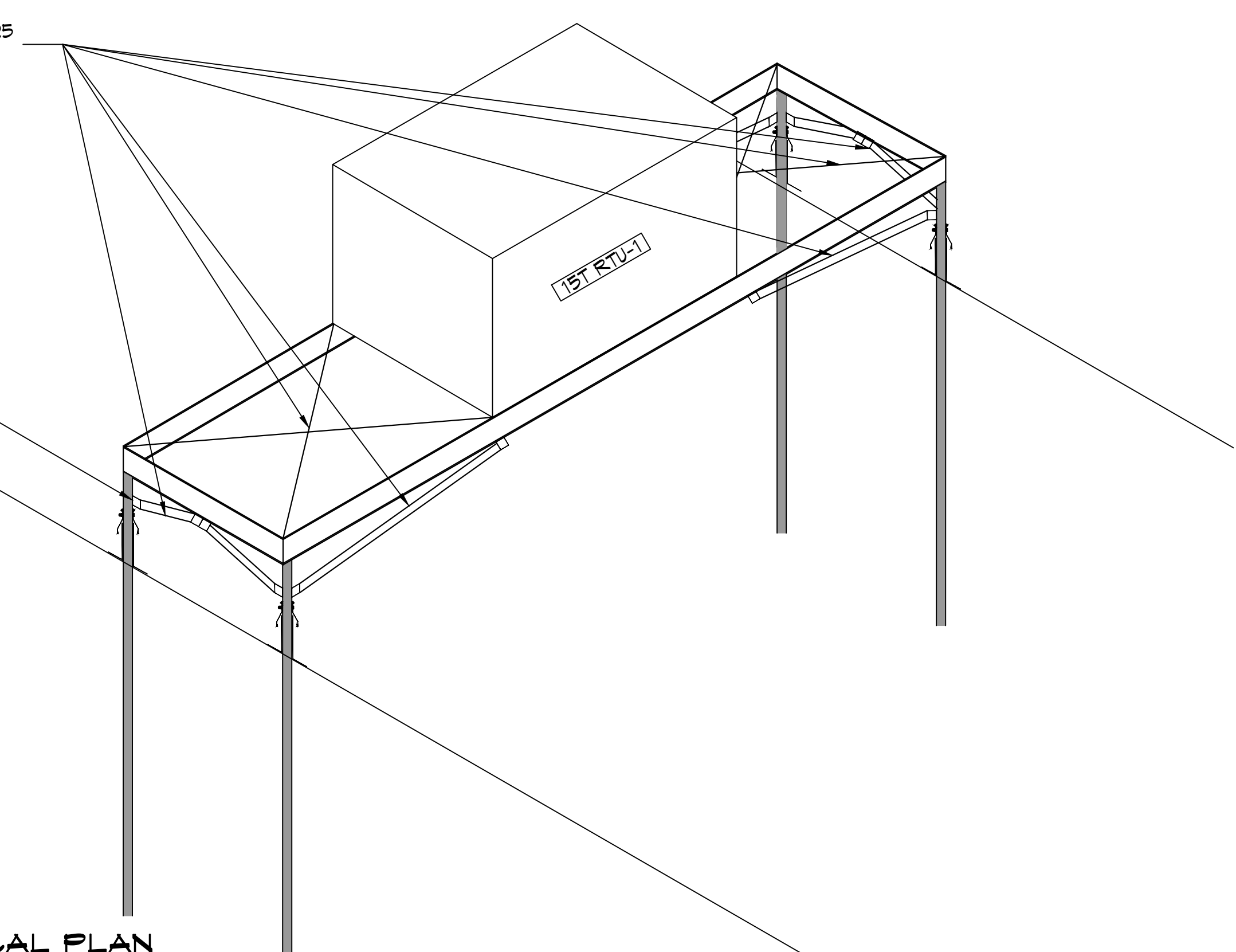
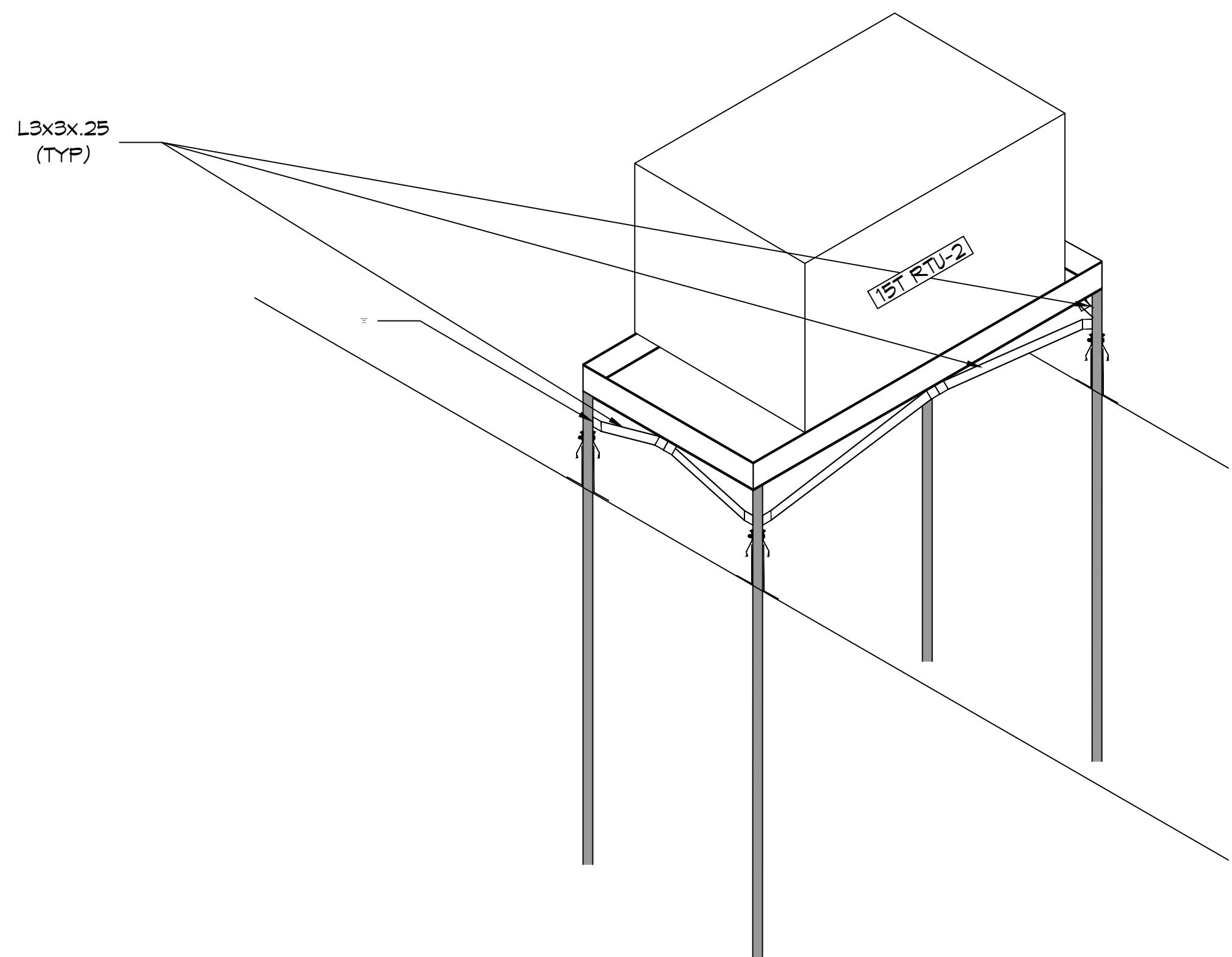
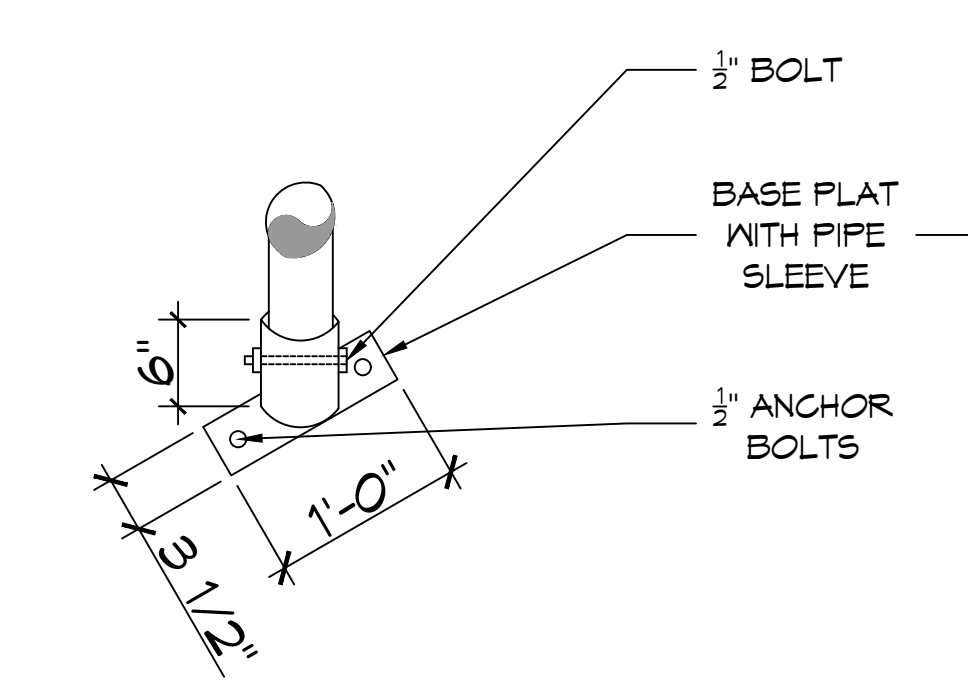
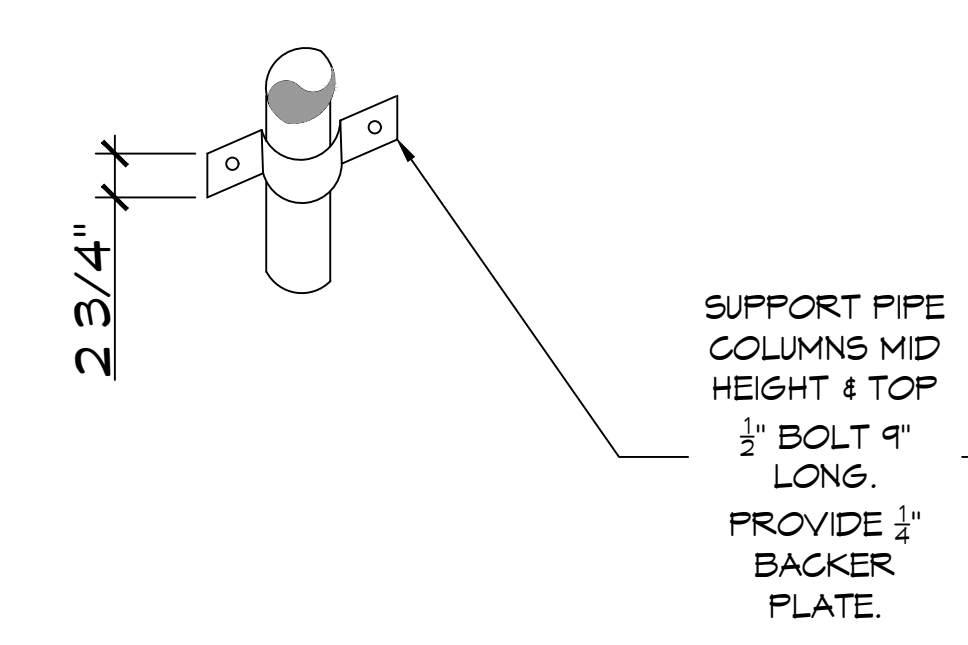
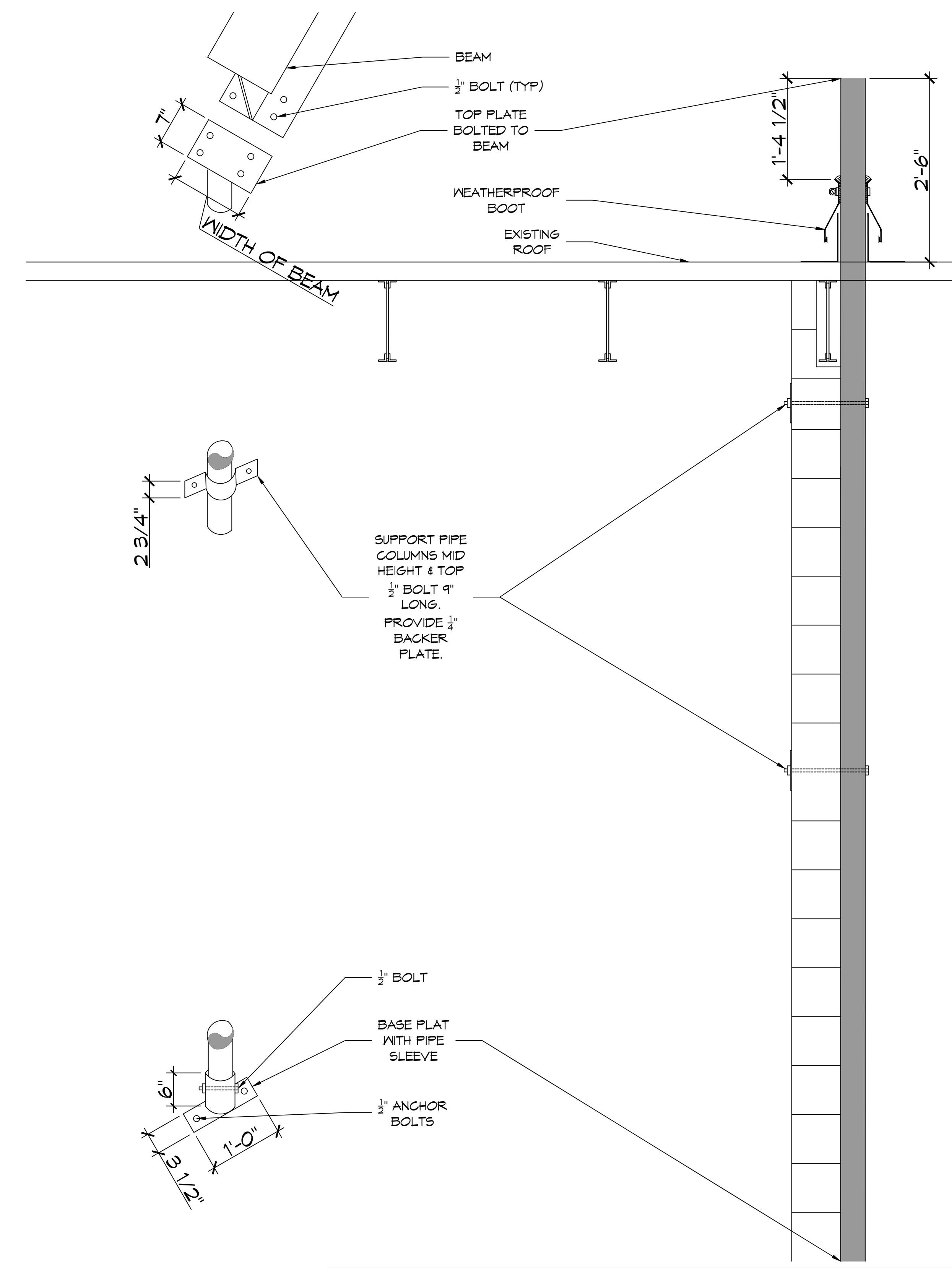


FILE NAME: J:\Projects\2022\20220113\20220113_01000_01000.dwg - Plot Author: JHB, Sheet: 01000, Date: 12/11/2022, 10:48:34 AM, Plotter: AutoCAD



3 MECHANICAL PLAN
SCALE: 1/8" = 1'-0"



#	DESCRIPTION	DATE

SEAL:

MECHANICAL RENOVATIONS
BOYETT JUNIOR
HIGH SCHOOL

51205 Rebel Dr.
Slidell, LA 70461
JOB No: 2465 DATE: 12-11-2022
DRAWN BY: CKD CHECKED BY: BAW

SHEET TITLE:
STRUCTURAL DETAILS

DRAWING NUMBER:
S102

SHEET No: 2 of 1