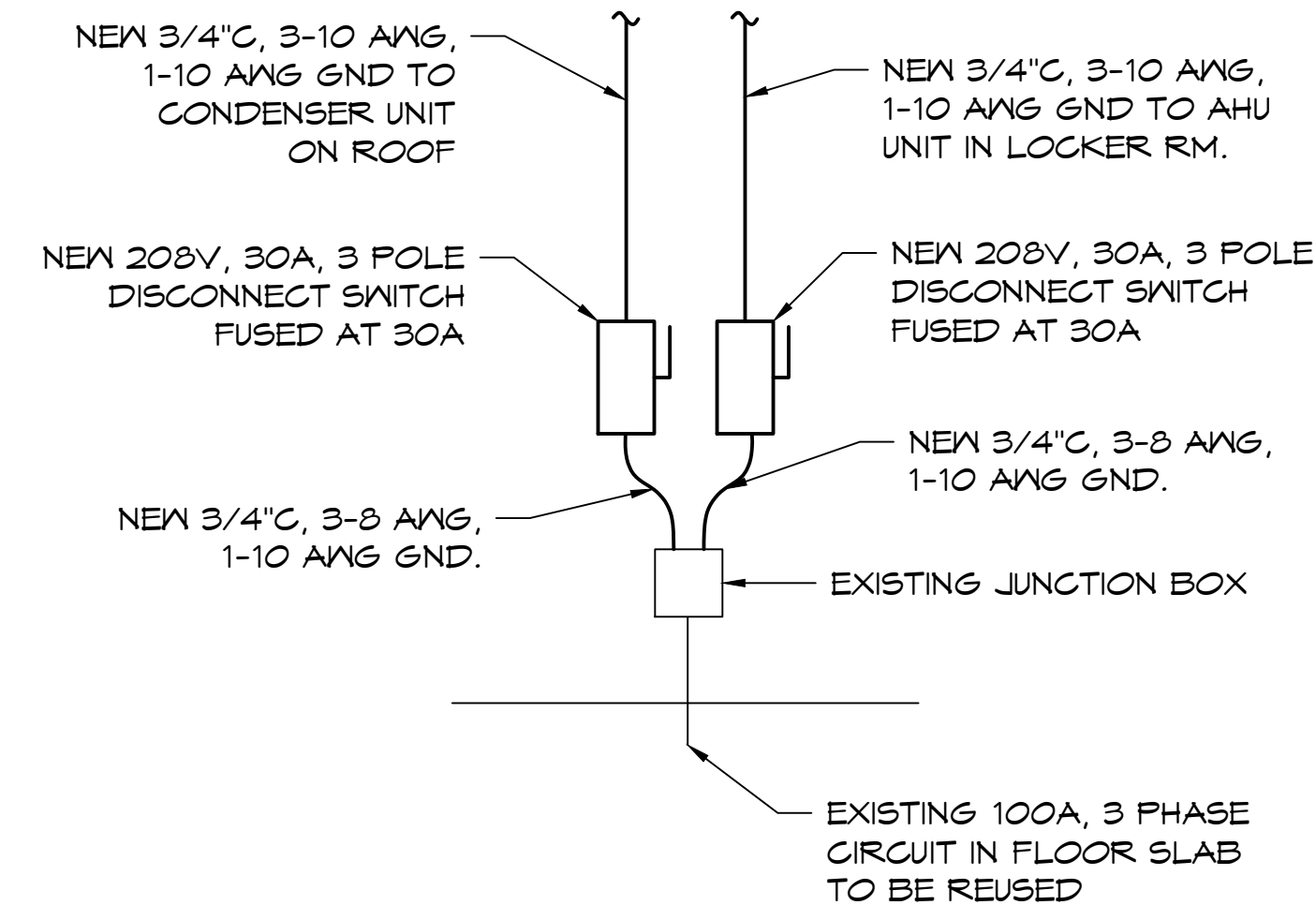


**A ELEVATION**  
D101/E101 E601 SCALE: NONE



**1 DETAIL**  
E101/E601 SCALE: NONE

PANEL SCHEDULE												
PANEL: GYM			VOLTAGE: 208/120V, 600 A, 3 PHASE, 4 WIRE									
LOCATION: EQUIPMENT ROOM			ENCLOSURE: 208/120V, 600 A, 3 PHASE, 4 WIRE			FLUSH MOUNTED IV EQUIPMENT GND BAR, NESTINGHOUSE TYPE MBA						
FEEDER SOURCE: DISCONNECT SWITCH AT SERVICE ENTRANCE												
CKT NO	THHN WIRE SIZE	LOAD DESCRIPTION	BREAKER	LOAD (VA)	LOAD			BREAKER	LOAD (VA)	LOAD DESCRIPTION	THHN WIRE SIZE	CKT NO
					AMP	POLE	LOCATION					
1		RECEPTACLES IN GYM	20	1				1	20	30A DISCONNECT SWITCH IN WASH ROOM		2
3		EMERGENCY LIGHTS AND RECEPT	20	1				1	20	30A DISCONNECT SWITCH IN WASH ROOM		4
5		GYM MAIN LIGHTS	25	1				1	25	GYM MAIN LIGHTS		6
7		GYM MAIN LIGHTS	30	1				1	25	GYM MAIN LIGHTS		8
9		GYM MAIN LIGHTS	25	1				1	25	GYM MAIN LIGHTS		10
11								1	25	GYM MAIN LIGHTS		12
13		DISCONNECT SWITCH EAST SIDE BLEACHERS	30	3				1	25	GYM MAIN LIGHTS		14
15												16
17		EXISTING LOAD	15	3				2	60	EXHAUST FAN		18
21								3	100	PANEL IN CONCESSION STAND		22
23												24
25		LOBBY PANEL	100	3				1	15	FIRE ALARM		26
27												28
29		SPACE										30
31		SPACE										32
33		SPACE										34
35		SPACE										36
37								1	25	SCORE BOARD		38
39		CONDENSER UNIT-FRONT-GYM	100	3								40
41												42
43		HEATER-LEFT-SIDE-NEAR-BOYS-LOCKER-ROOM	100	3								44
45												46
47												48
49		DRYER	100	3				3	100	CONDENSER UNIT-REAR-GYM		50
51												52
53												54
55		DISCONNECT SWITCH WEST SIDE BLEACHERS	30	3				3	100	HEATER-RIGHT-SIDE-NEAR-GIRLS-LOCKER-ROOM		56
57												58
59												60
61		SPACE										62
63		SPACE										64

EXISTING ARRANGEMENT

PANEL SCHEDULE												
PANEL: GYM			VOLTAGE: 208/120V, 600 A, 3 PHASE, 4 WIRE									
LOCATION: EQUIPMENT ROOM			ENCLOSURE: 208/120V, 600 A, 3 PHASE, 4 WIRE			FLUSH MOUNTED IV EQUIPMENT GND BAR, EATON POW-R-LINE						
FEEDER SOURCE: DISCONNECT SWITCH AT SERVICE ENTRANCE												
CKT NO	THHN WIRE SIZE	LOAD DESCRIPTION	BREAKER	LOAD (VA)	LOAD			BREAKER	LOAD (VA)	LOAD DESCRIPTION	THHN WIRE SIZE	CKT NO
					AMP	POLE	LOCATION					
1		RECEPTACLES IN GYM	20	1				1	20	30A DISCONNECT SWITCH IN WASH ROOM		2
3		EMERGENCY LIGHTS AND RECEPT	20	1				1	20	30A DISCONNECT SWITCH IN WASH ROOM		4
5		GYM MAIN LIGHTS	25	1				1	25	GYM MAIN LIGHTS		6
7		GYM MAIN LIGHTS	30	1				1	25	GYM MAIN LIGHTS		8
9		GYM MAIN LIGHTS	25	1				1	25	GYM MAIN LIGHTS		10
11								1	25	GYM MAIN LIGHTS		12
13		DISCONNECT SWITCH EAST SIDE BLEACHERS	30	3				1	25	GYM MAIN LIGHTS		14
15												16
17		EXISTING LOAD	15	3				2	60	EXHAUST FAN		18
21								3	100	PANEL IN CONCESSION STAND		22
23												24
25		LOBBY PANEL	100	3				1	15	FIRE ALARM		26
27												28
29		SPACE										30
31		SPACE										32
33		SPACE										34
35		SPACE										36
37								1	25	SCORE BOARD		38
39		CONDENSER UNIT-FRONT-GYM	100	3								40
41												42
43		HEATER-LEFT-SIDE-NEAR-BOYS-LOCKER-ROOM	100	3								44
45												46
47												48
49		DRYER	100	3				3	150	PACKAGE HVAC UNIT, FRONT GYM		50
51												52
53												54
55		DISCONNECT SWITCH WEST SIDE BLEACHERS	30	3				3	100	HYAC UNIT AND CONDENSER, LEFT SIDE, BOYS LOCKER ROOM		56
57												58
59												60
61		SPACE										62
63		SPACE										64

NEW ARRANGEMENT

REMOVE EXISTING CIRCUIT BREAKERS

REUSE EXISTING CIRCUIT BREAKERS

NEW CIRCUIT BREAKERS

REUSE EXISTING CIRCUIT BREAKERS

REVISIONS	DATE
# DESCRIPTION	

SEAL:

MECHANICAL RENOVATIONS  
**BOYET JUNIOR HIGH SCHOOL**  
#2025 Bayou Dr.  
Stiel, LA 70451  
JOB No: 2468 DATE: 12-1-2022  
DRAWN BY: BAW  
CHECKED BY: DPJ/JL

SHEET TITLE:  
ELECTRICAL PANEL SCHEDULES, SECOND FLOOR

DRAWING NUMBER:

**E102**