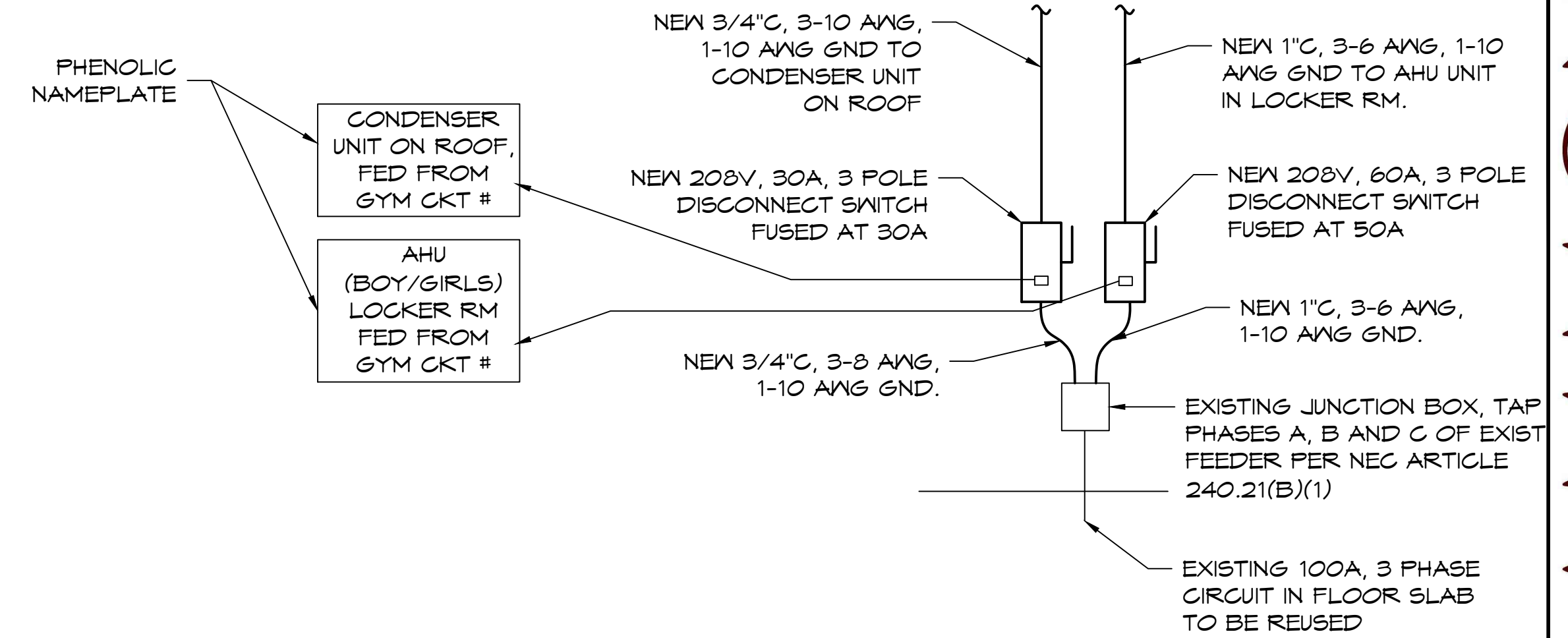


**H ELEVATION**  
E101 E102 SCALE: NONE

- RECONDITION ELECTRICAL PANEL AS FOLLOWS:  
 LOCK OUT AND TAG OUT DISCONNECT SWITCH FOR PANEL AT SERVICE ENTRANCE. THOROUGHLY INSPECT, CLEAN AND VACUUM INTERIOR OF PANEL. INSPECT AND TIGHTEN ANY LOOSE CONNECTIONS. EXERCISE EACH BREAKER BY OPERATING THE TRIP HANDLE 6 TIMES. REPLACE ANY BREAKERS THAT DO NOT OPERATE SMOOTHLY
- ▷ FABRICATE NEW SHEET METAL COVER TO REPLACE MISSING COVER AT TOP OF PANEL, TO PROTECT FROM ACCIDENTAL CONTACT WITH EXPOSED BUS.
  - ▷ REMOVE EXISTING HOME MADE SURROUND PLATE FROM LOWER BREAKERS AND FABRICATE NEW SHEET METAL PLATE TO REPLACE EXISTING.
  - ▷ INSTALL NEW BLANKING PLATES TO COVER OPENINGS FROM MISSING BREAKERS.
  - ▷ UPDATE PANEL SCHEDULE TO REFLECT CHANGES, SECURE OUTER COVER OF PANEL TO BOX WITH SELF TAPPING SHEET METAL SCREWS. PAINT PANEL COVER AND INTERIOR TRIM LIGHT GRAY ENAMEL



**J DETAIL**  
E101 E102 SCALE: NONE

PANEL SCHEDULE													
PANEL: GYM				VOLTAGE: 208/120V, 600 A, 3 PHASE, 4 WIRE				ENCLOSURE: 208/120V, 600 A, 3 PHASE, 4 WIRE FLUSH MOUNTED IV EQUIPMENT GND BAR, MESTINGHOUSE TYPE MBA					
LOCATION: EQUIPMENT ROOM				FEEDER SOURCE: DISCONNECT SWITCH AT SERVICE ENTRANCE									
CKT NO	THHN WIRE SIZE	LOAD DESCRIPTION	BREAKER AMP POLE	LOAD (VA)	PHASE			LOAD (VA)	BREAKER AMP POLE	LOAD DESCRIPTION	THHN WIRE SIZE	CKT NO	
					A	B	C						
1		RECEPTACLES IN GYM	20 1					1	20	30A DISCONNECT SWITCH IN WASH ROOM		2	
3		EMERGENCY LIGHTS AND RECEPT	20 1					1	20	30A DISCONNECT SWITCH IN WASH ROOM		4	
5		GYM MAIN LIGHTS	25 1					1	25	GYM MAIN LIGHTS		6	
7		GYM MAIN LIGHTS	30 1					1	25	GYM MAIN LIGHTS		8	
9		GYM MAIN LIGHTS	25 1					1	25	GYM MAIN LIGHTS		10	
11								1	25	GYM MAIN LIGHTS		12	
13		DISCONNECT SWITCH EAST SIDE BLEACHERS	30 3					1	25	GYM MAIN LIGHTS		14	
15								2	60	EXHAUST FAN		16	
17		EXISTING LOAD	15 3					3	100	PANEL IN CONCESSION STAND		20	
21								1	15	FIRE ALARM		26	
25		LOBBY PANEL	100 3					3	100			24	
27										SPACE		28	
29										SPACE		30	
31										SPACE		32	
33										SPACE		34	
35										SPACE		36	
37								1	25	SCORE BOARD		38	
39		CONDENSER UNIT-FRONT-GYM	100 3							SPACE		40	
41										SPACE		42	
43		HEATER-LEFT-SIDE-NEAR-BOYS-LOCKER-ROOM	100 3							SPACE		44	
45										SPACE		46	
47										SPACE		48	
49		DRYER	100 3					3	100	CONDENSER UNIT-REAR-GYM		50	
51										SPACE		52	
53										SPACE		54	
55										SPACE		56	
57		DISCONNECT SWITCH WEST SIDE BLEACHERS	30 3					3	100	HEATER-RIGHT-SIDE-NEAR-GIRLS-LOCKER-ROOM		58	
59										SPACE		60	
61										SPACE		62	
63										SPACE		64	

EXISTING ARRANGEMENT

PANEL SCHEDULE													
PANEL: GYM				VOLTAGE: 208/120V, 600 A, 3 PHASE, 4 WIRE				ENCLOSURE: 208/120V, 600 A, 3 PHASE, 4 WIRE FLUSH MOUNTED IV EQUIPMENT GND BAR, EATON POW-R-LINE					
LOCATION: EQUIPMENT ROOM				FEEDER SOURCE: DISCONNECT SWITCH AT SERVICE ENTRANCE									
CKT NO	THHN WIRE SIZE	LOAD DESCRIPTION	BREAKER AMP POLE	LOAD (VA)	PHASE			LOAD (VA)	BREAKER AMP POLE	LOAD DESCRIPTION	THHN WIRE SIZE	CKT NO	
					A	B	C						
1		RECEPTACLES IN GYM	20 1					1	20	30A DISCONNECT SWITCH IN WASH ROOM		2	
3		EMERGENCY LIGHTS AND RECEPT	20 1					1	20	30A DISCONNECT SWITCH IN WASH ROOM		4	
5		GYM MAIN LIGHTS	25 1					1	25	GYM MAIN LIGHTS		6	
7		GYM MAIN LIGHTS	30 1					1	25	GYM MAIN LIGHTS		8	
9		GYM MAIN LIGHTS	25 1					1	25	GYM MAIN LIGHTS		10	
11								1	25	GYM MAIN LIGHTS		12	
13		DISCONNECT SWITCH EAST SIDE BLEACHERS	30 3					1	25	GYM MAIN LIGHTS		14	
15								2	60	EXHAUST FAN		16	
17		EXISTING LOAD	15 3					3	100	PANEL IN CONCESSION STAND		20	
21								1	15	FIRE ALARM		26	
25		LOBBY PANEL	100 3					3	100			24	
27										SPACE		28	
29										SPACE		30	
31										SPACE		32	
33										SPACE		34	
35										SPACE		36	
37								1	25	SCORE BOARD		38	
39		CONDENSER UNIT-FRONT-GYM	100 3							SPACE		40	
41										SPACE		42	
43		HEATER-LEFT-SIDE-NEAR-BOYS-LOCKER-ROOM	100 3							SPACE		44	
45										SPACE		46	
47										SPACE		48	
49		DRYER	100 3					3	100	CONDENSER UNIT-REAR-GYM		50	
51										SPACE		52	
53										SPACE		54	
55										SPACE		56	
57		DISCONNECT SWITCH WEST SIDE BLEACHERS	30 3					3	100	HYAC UNIT AND CONDENSER, RIGHT SIDE, GIRL'S LOCKER ROOM		58	
59										SPACE		60	
61										SPACE		62	
63										SPACE		64	

NEW ARRANGEMENT

REMOVE EXISTING CIRCUIT BREAKERS

NEW CIRCUIT BREAKERS

REUSE EXISTING CIRCUIT BREAKERS

**DAMMON ENGINEERING, INC.**  
 LOUISIANA & MISSISSIPPI  
 Chief Engineer: Brian Wistich, PE  
 554 Old Spanish Trail  
 Slidell, LA 70458  
 www.dammonengineering.com  
 info@dammonengineering.com  
 PH: 985.649.8832

DATE	REVISIONS
	#1 DESCRIPTION

SEAL: Not For Construction

MECHANICAL RENOVATIONS  
**BOYET JUNIOR HIGH SCHOOL**  
 #2025 Bayou Dr.  
 Slidell, LA 70461  
 JOB No: 2468 DATE: 5-7-2023  
 DRAWN BY: DPJ/JTL CHECKED BY: BAW

SHEET TITLE: ELECTRICAL PANEL SCHEDULES

DRAWING NUMBER:

**E102**