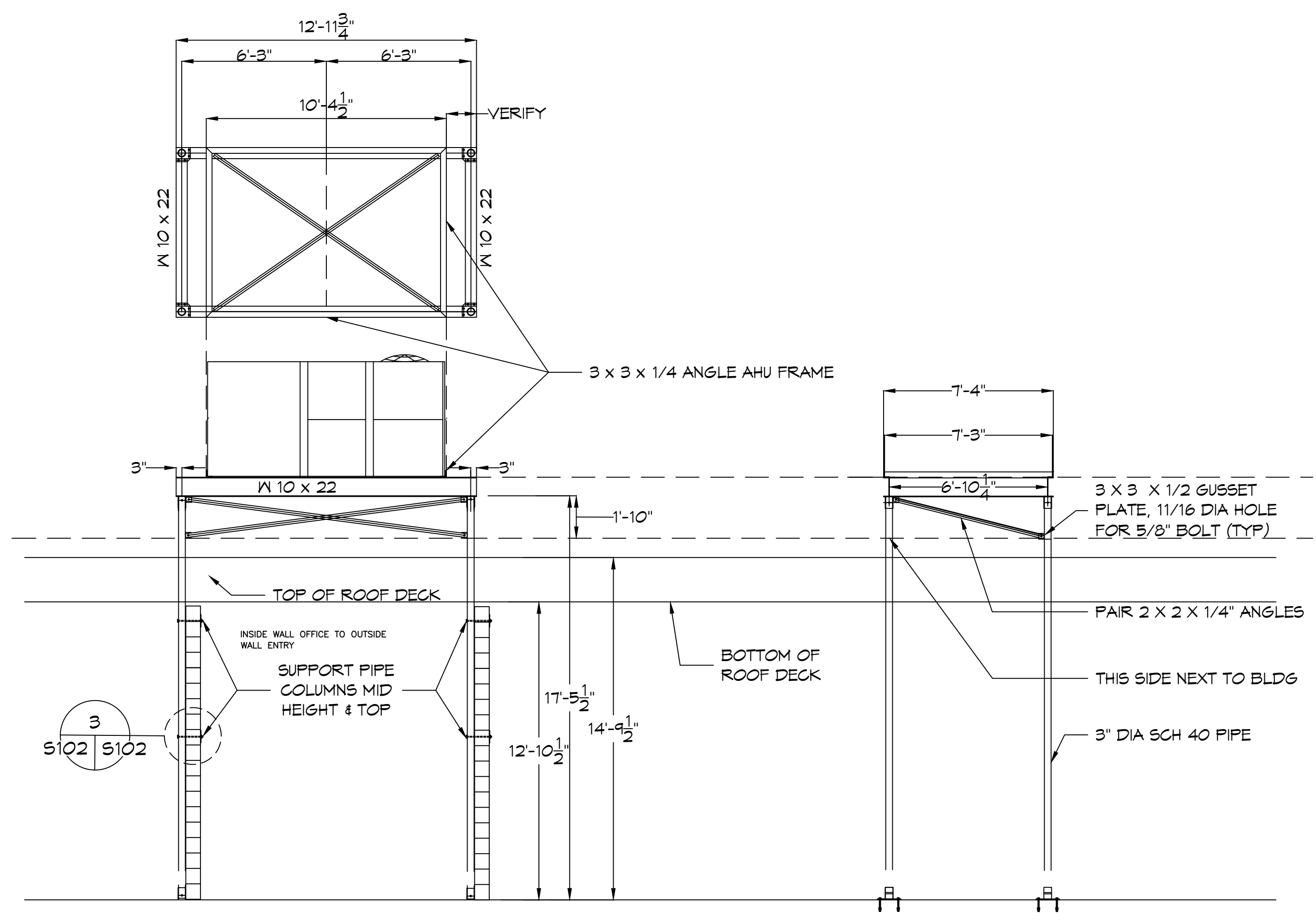
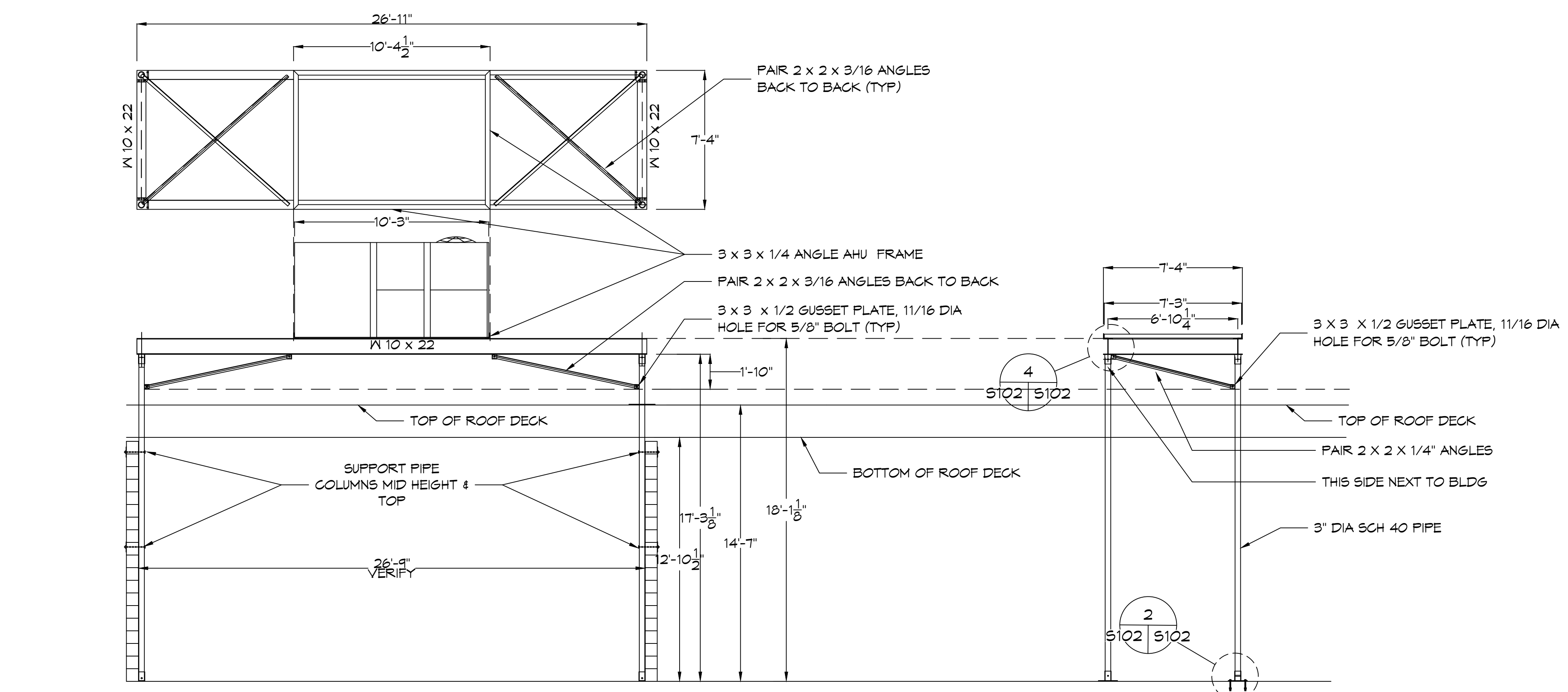


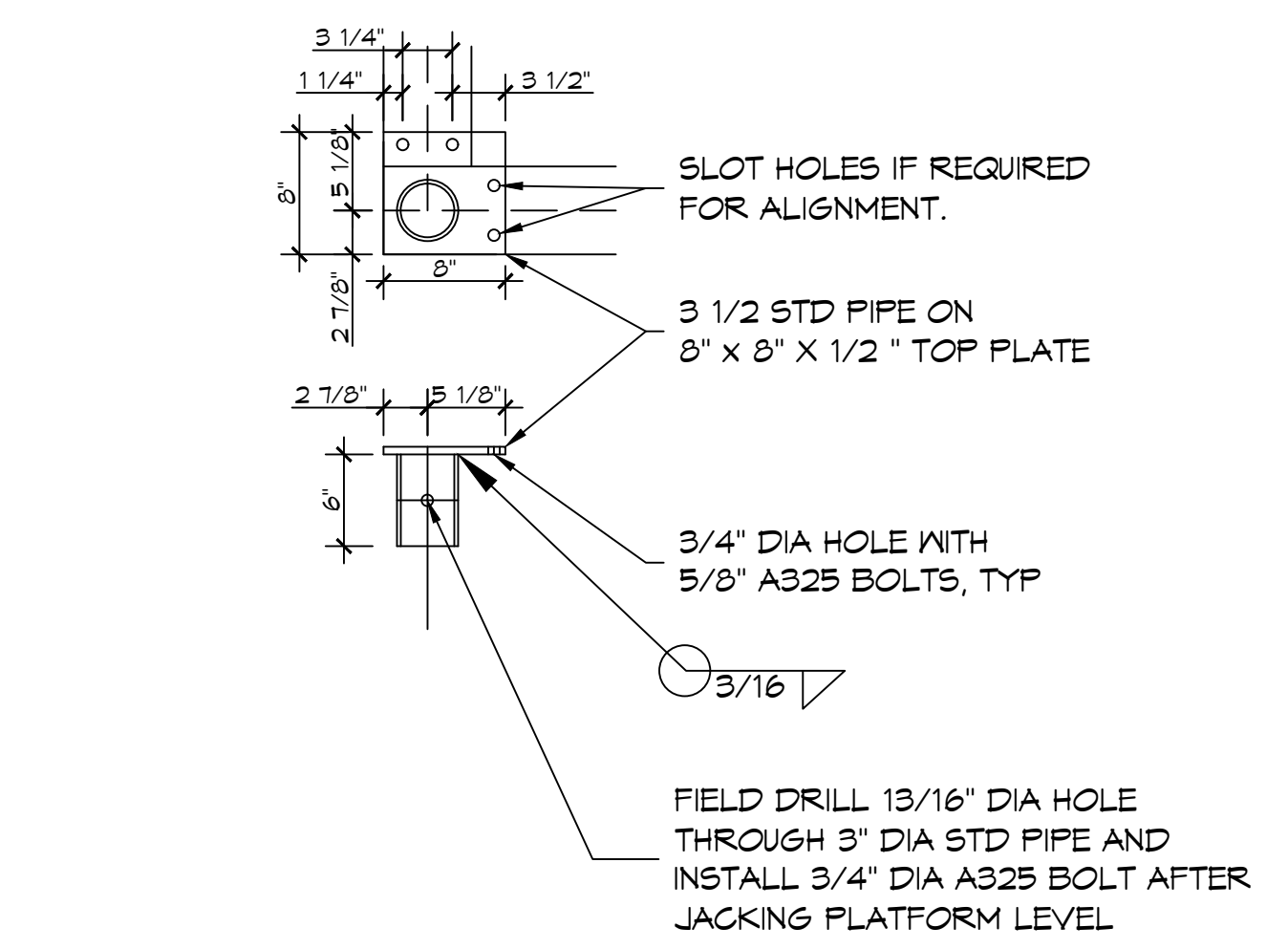
EIT: 50851 - JAMES DAMMON, P.E., 554 Old Spanish Trail, Slidell, LA 70458
 EIT: 50851 - JAMES DAMMON, P.E., 554 Old Spanish Trail, Slidell, LA 70458
 EIT: 50851 - JAMES DAMMON, P.E., 554 Old Spanish Trail, Slidell, LA 70458



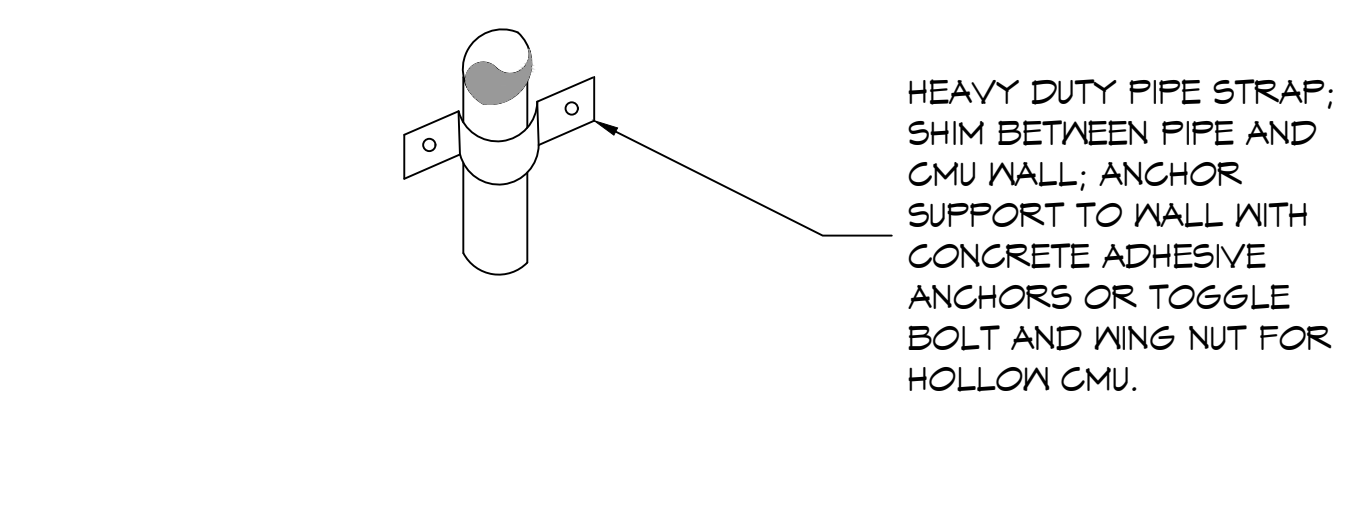
BRTU-2
SCALE: 1/4" = 1'-0"



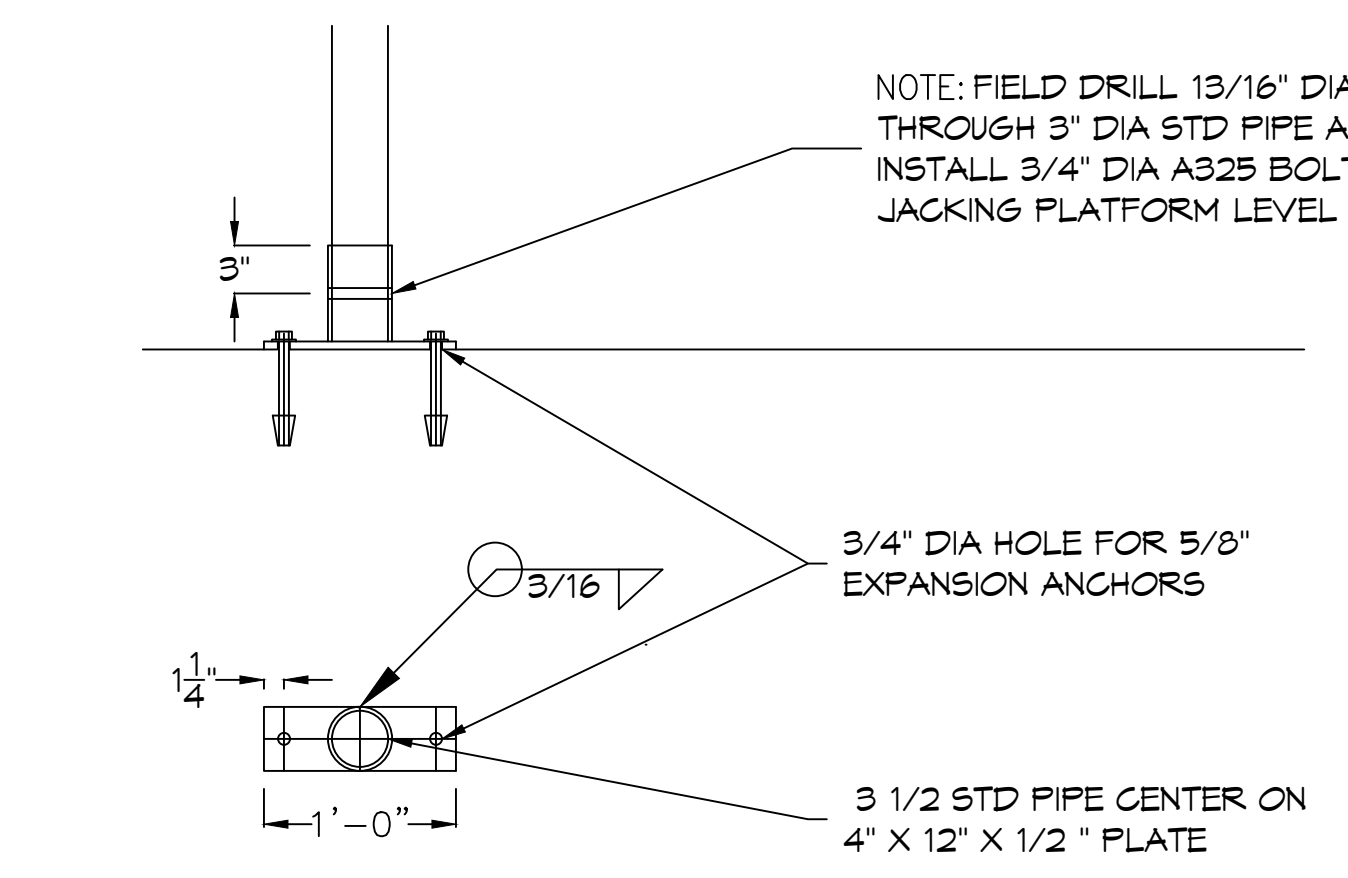
ARTU-1
SCALE: 1/4" = 1'-0"



4 COLUMN TOP PLATE
SCALE: N.T.S.



3 COLUMN SUPPORT STRAP
SCALE: N.T.S.



2 COLUMN BASE PLATE
SCALE: N.T.S.

#	DESCRIPTION	DATE

SEAL:

MECHANICAL RENOVATIONS
BOYETT JUNIOR
HIGHSCHOOL
 51225 Rebel Dr.
 Slidell, LA 70461
 JOB No: 2465
 DATE: 9-1-2023
 DRAWN BY: CKD
 CHECKED BY: BAK

SHEET TITLE:
STRUCTURAL DETAILS

DRAWING NUMBER:
S102