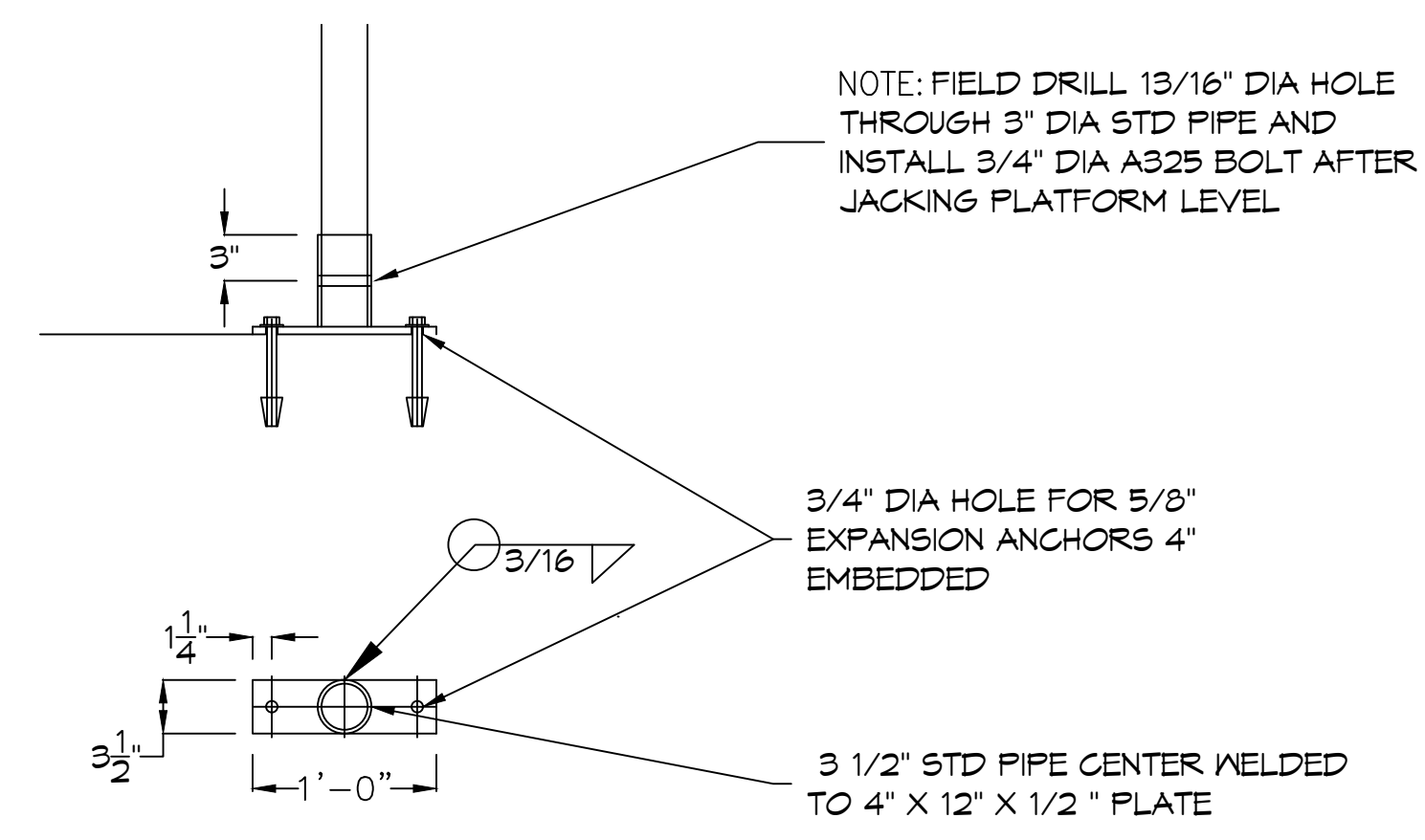
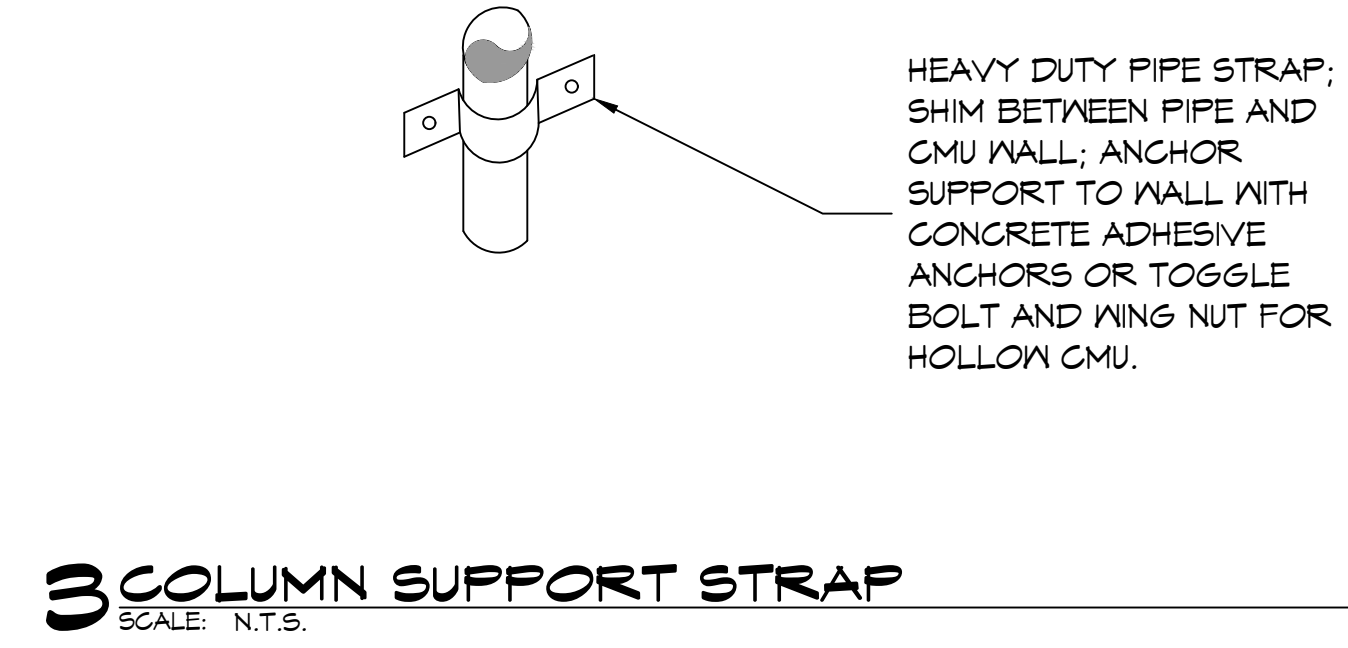
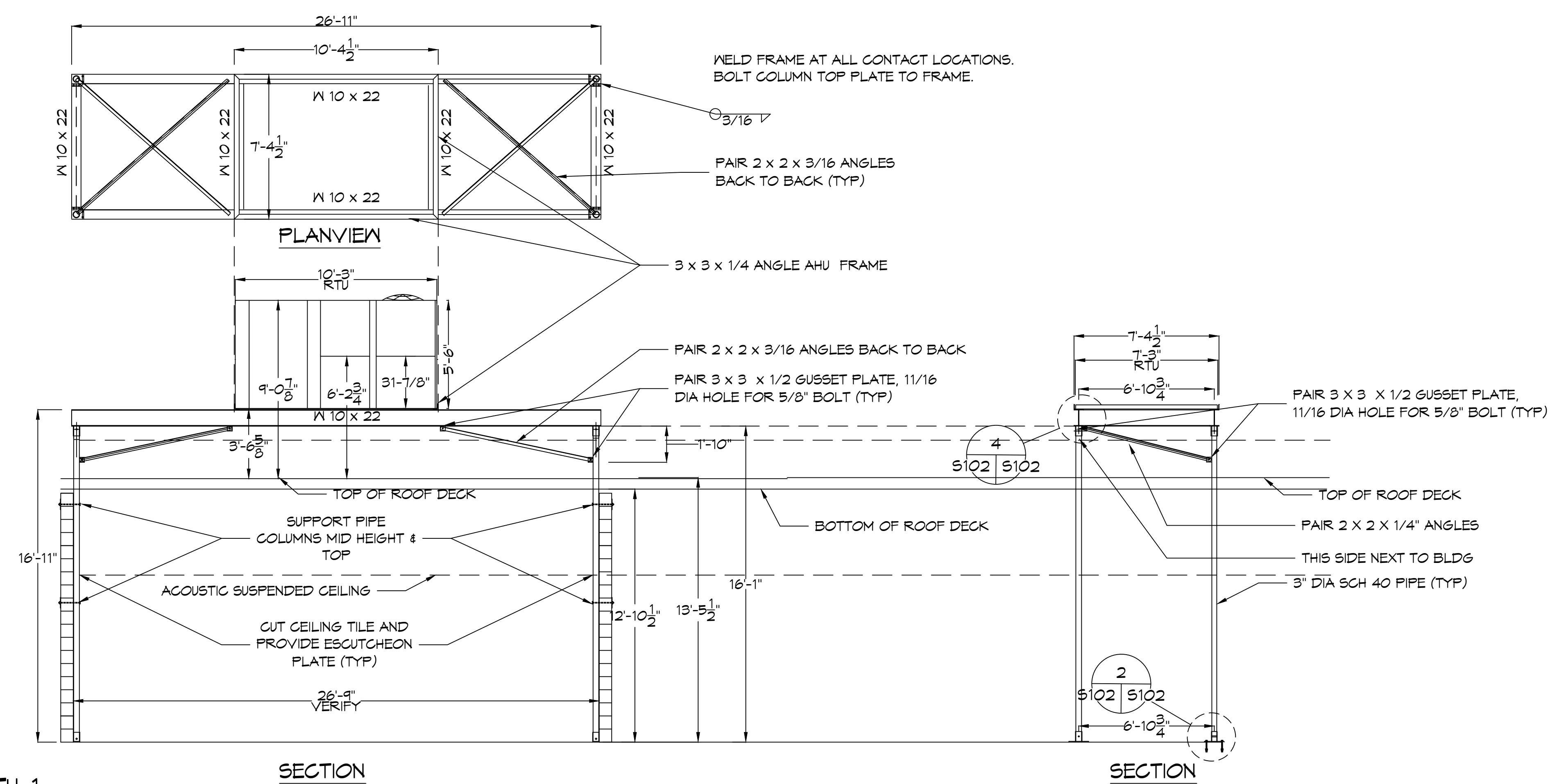
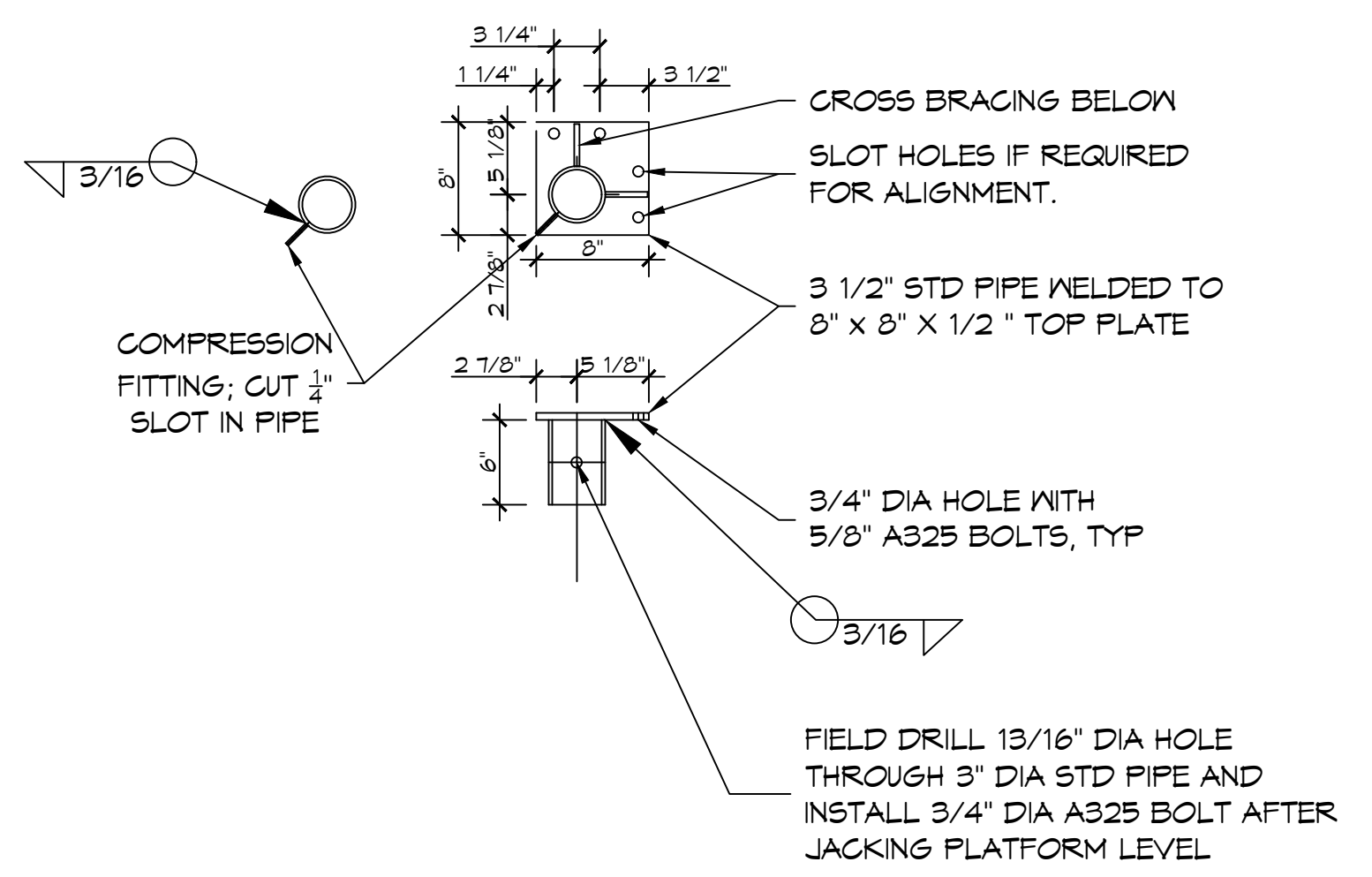
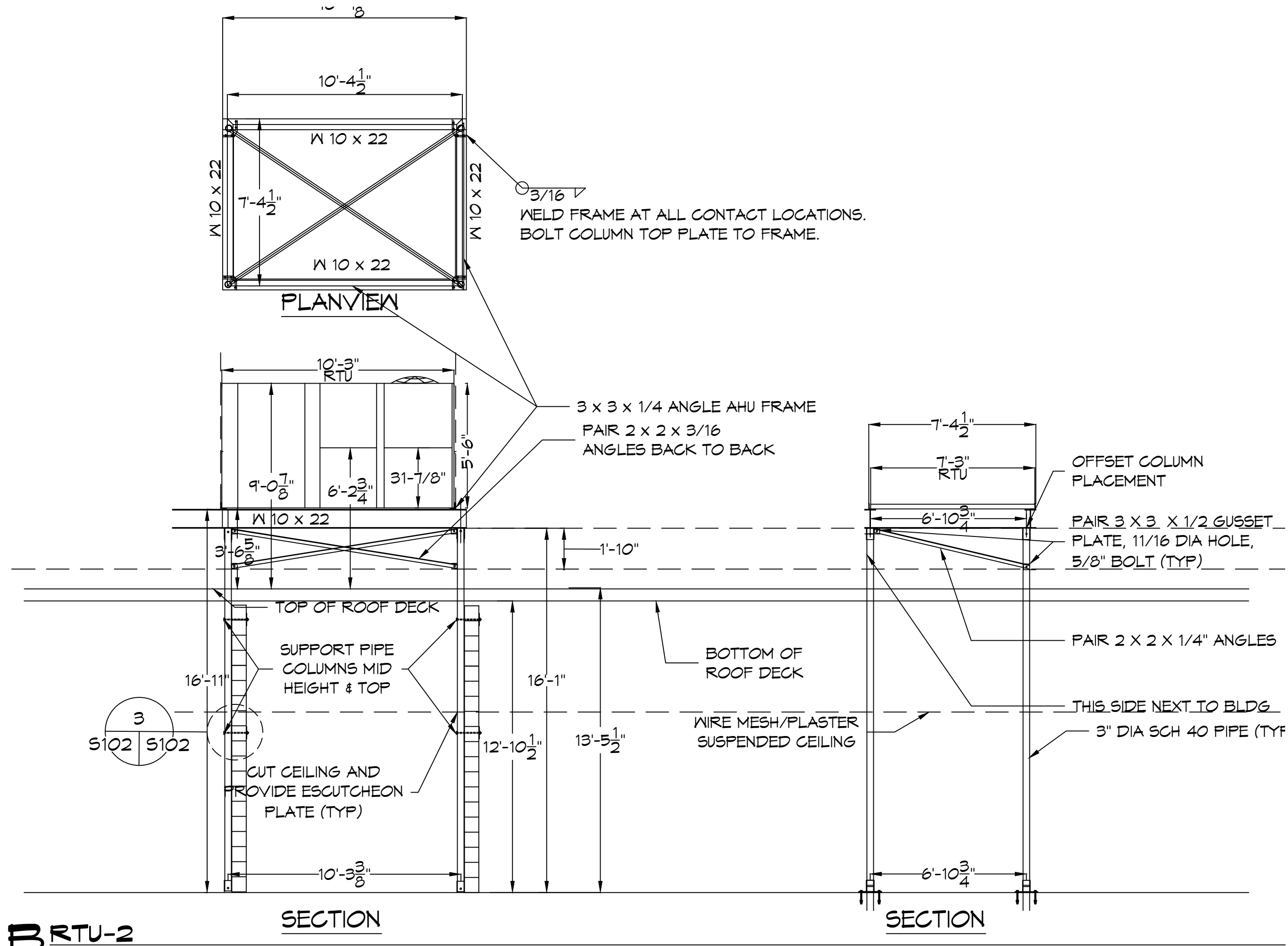


FILE NAME: A:\3-DRAWING\PROJECT\MECHANICAL\RENOVATION\BOYHETSCHNOOR\2024\2024-11-24.dwg  
 PLOT DATE: 2/1/2024 11:34 AM  
 PLOT BY: BAK



#	DESCRIPTION	REVISIONS	DATE
1	Revised RTU 2 Additional 11/0x22 added under RTU 1		2/1/2024



MECHANICAL RENOVATIONS			
<b>BOYHETSCHNOOR</b>			
51295 Rebel Dr. Slidell, LA 70461	DATE: 12-31-2023	CHECKED BY: BAK	DRAWN BY: CKD
JOB No: 2465			

SHEET TITLE: STRUCTURAL DETAILS
DRAWING NUMBER: <b>S102</b>
SHEET No: 4 of 9