

SPLIT SYSTEM DX SCHEDULE - SIXTH WARD																										
AIR HANDLER										CONDENSER																
TAG	AREA SERVED	Make	Model	Nominal Tonnage	Total CFM	OA CFM	External SP ("WC)	FAN		COOLING		HEAT		POWER	TAG	MAKE	MODEL	POWER		REMARKS						
								QTY	HP	TMBH	SMB H	KW	STEPS					VAC	PH		Hz	MCA	VAC	PH	Hz	MCA
AHU-1	Boys Locker Room	Daikin	ARUF49D14	4	1420	340	0.3	1	1/3	60	41	MERV-6	9.6	1	208	3	60	48	CU-1	Daikin	DX13SA0483A	208	3	60	17.6	1, 2, 3, 4
AHU-2	Girls Locker Room	Daikin	ARUF49D14	4	1420	300	0.3	1	1/3	60	41	MERV-6	9.6	1	208	3	60	48	CU-2	Daikin	DX13SA0483A	208	3	60	17.6	1, 2, 3, 4

MIN-SPLIT SCHEDULE														
AIR HANDLER					HEAT PUMP									
Tag	Make	Model	Cooling (MBH)	Heating (BTUH)	Power (KW)	MCA	Remarks	Tag	Make/Model	Power (KW)	MCA	Remarks		
													VAC	PH
MS-1	Daikin	FCQ36TAVJU	36	40	208	1	15	CU-3	Daikin	RZQ36TAVJUA	208	1	29.1	1, 2, 4
MS-2	Daikin	FTB18AXVJU	18	12.6	208	1	1, 2, 3	CU-4	Daikin	RXB18AXVJU	208	1	16.2 (System)	1, 2, 3

DIFFUSER SCHEDULE			
Mark No.	Service	Neck Size	Description
A	Supply Air	Ref. Plan	Krueger DFL Adjustable Drum Register with Opposed Blade Damper
B	Supply Air	Ref. Plan	Price 620D Double Deflection Register with Damper
C	Return Air	Ref. Plan	Price 630D Louver Return with Damper

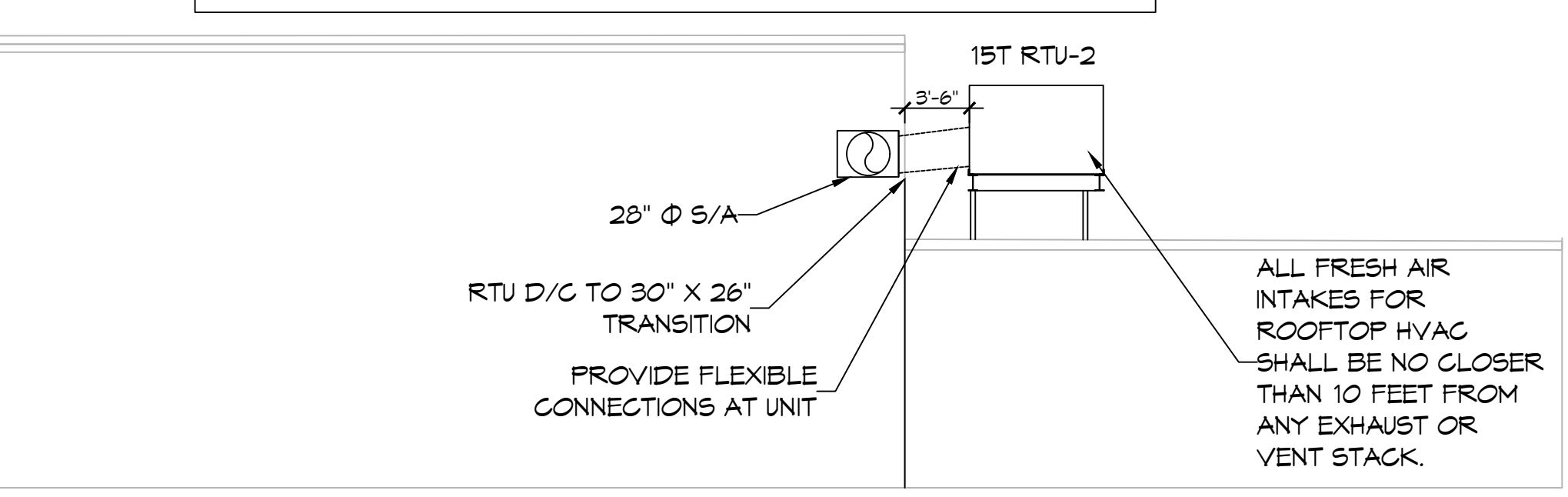
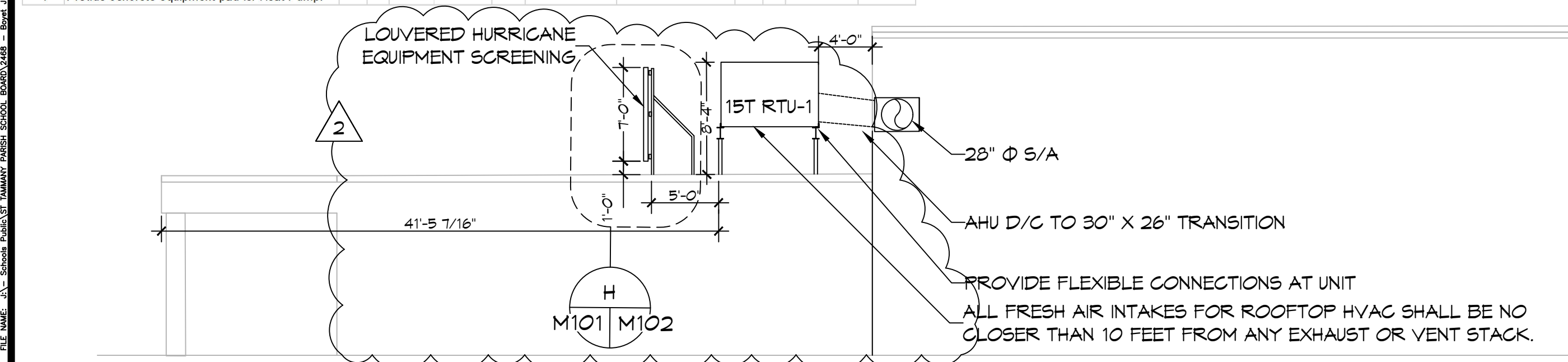
PACKAGED A/C SCHEDULE - Boyet																				
ROOFTOP UNIT										CONDENSER										
TAG	AREA SERVED	Make/Model	Model / Size	Nominal Tonnage	Total CFM	OA CFM	External SP ("WC)	FAN		COOLING		FILTERS		POWER	TAG	MAKE	MODEL	POWER		REMARKS
								QTY	HP	TMBH	SMB H	EDB	EWB					MERV-8	MERV-8	
RTU-1	Gym	Trane	TSJ180_3	15	6900	2680	0.6	2	3	200.7	125.9	83.5	71.1	MERV-8	MERV-8	208	3	60	78	1, 2, 3, 4
RTU-2	Gym	Trane	TSJ180_3	15	6900	2680	0.6	2	3	200.7	125.9	83.5	71.1	MERV-8	MERV-8	208	3	60	78	1, 2, 3, 4

THERMOSTAT NOTES

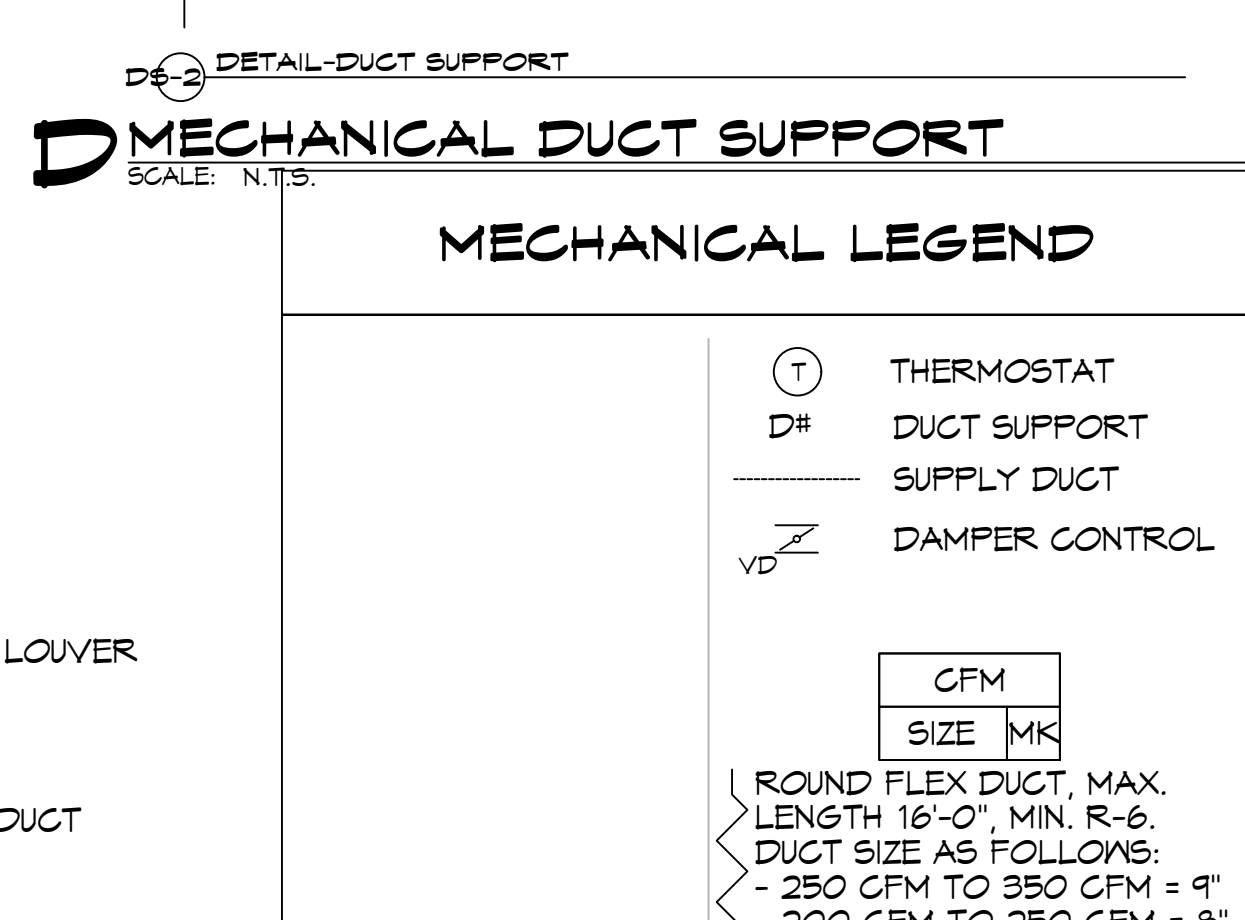
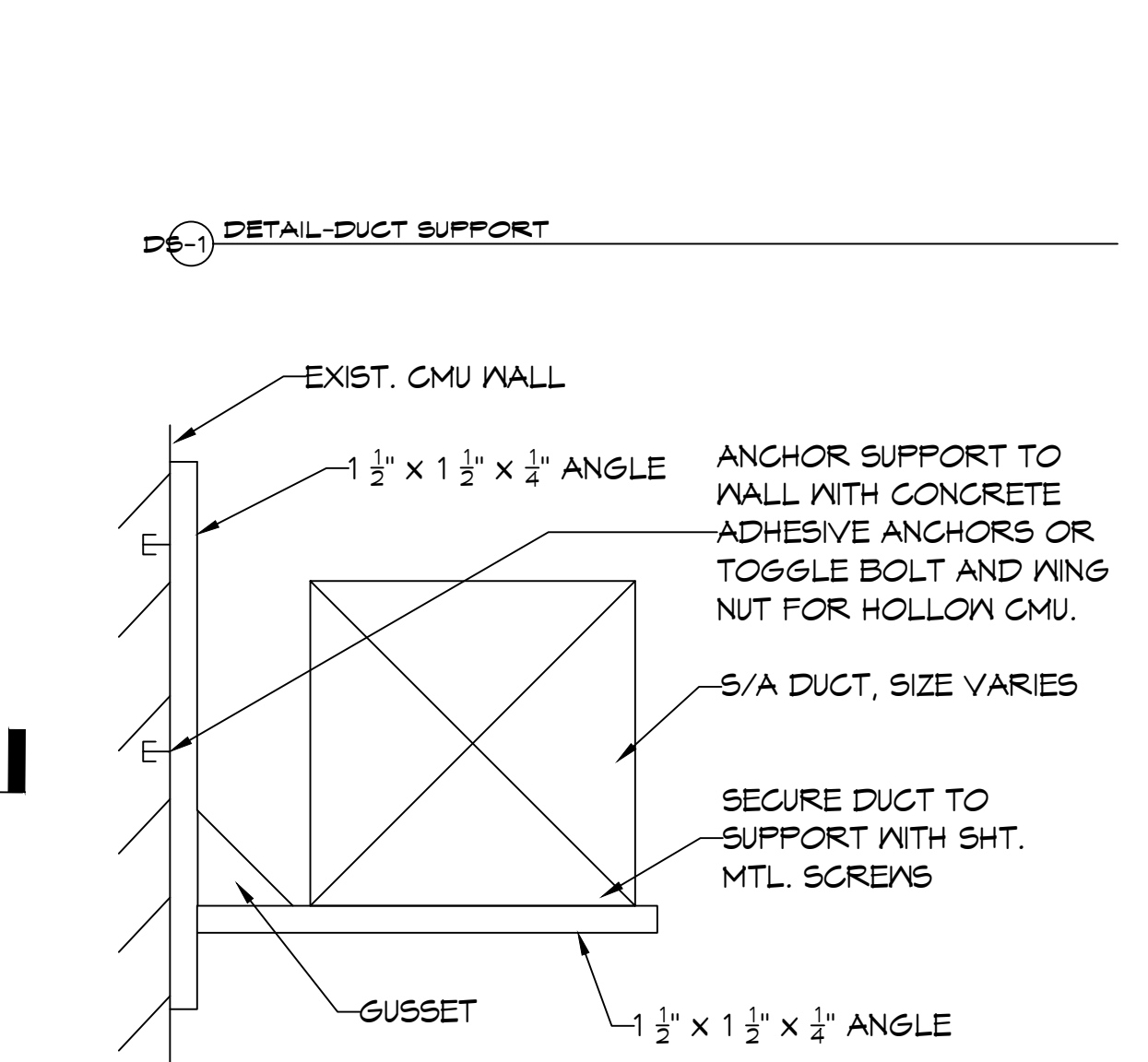
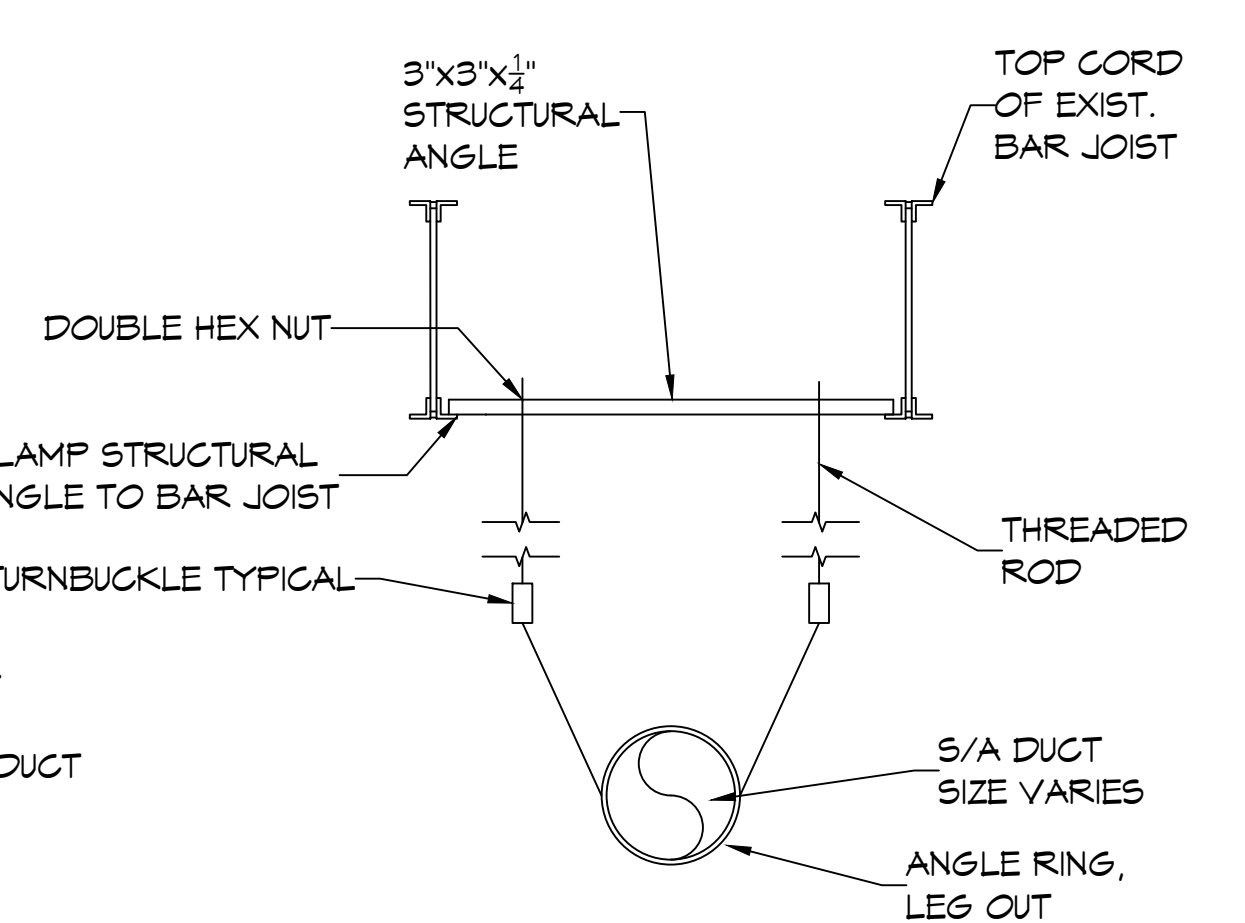
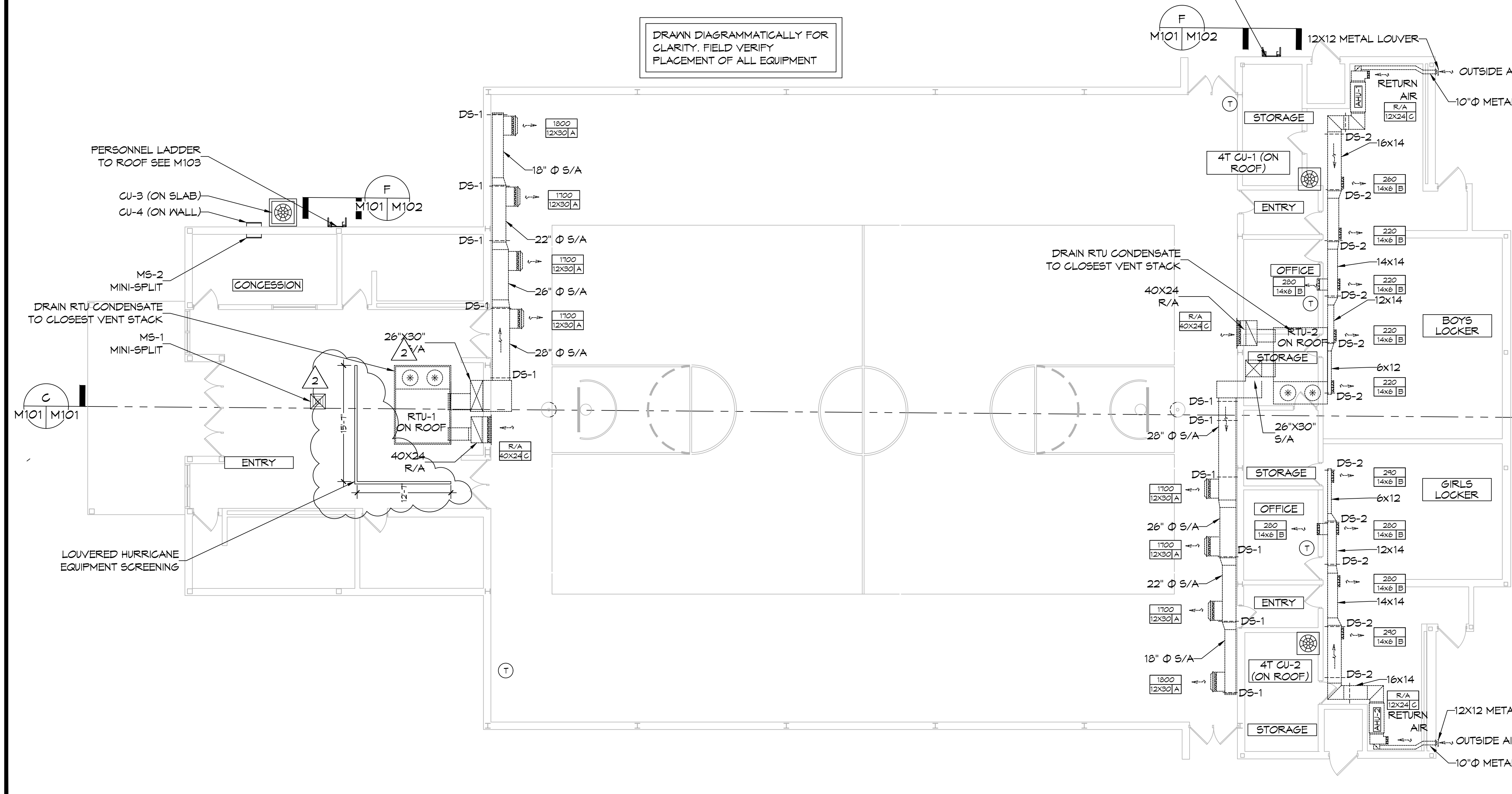
- ALL NEW RTU'S, AHU'S & MINI SPLITS SHALL HAVE NEW STAND ALONE DIGITAL THERMOSTAT WITH A LOCKABLE HOUSING AROUND THE THERMOSTAT. EACH THERMOSTAT SHALL HAVE AUTOMATIC CHANGE OVER COOL/HEAT.
- FINAL LOCATION OF TEMPERATURE CONTROLS TO BE COORDINATED WITH OWNER AT JOB SITE.

GENERAL NOTES

- CONCEALED DUCTWORK TO BE GALVANIZED SHEET METAL WRAPPED WITH FIBROUS GLASS DUCT WRAP WITH FSK VAPOR BARRIER, MIN R-6. INSTALLED PER SMACNA STANDARDS. DUCT WORK IMMEDIATELY DOWNSTREAM FROM RTU SHALL BE LINED FOR SOUND ATTENUATION.
- EXPOSED DUCTWORK TO BE GALVANIZED SHEET METAL LINED WITH FIBROUS GLASS DUCT WRAP, MIN R-6. INSTALLED PER SMACNA STANDARDS AND SPECIFICATIONS.
- DUCT SIZES SHOWN ARE CLEAR INSIDE DIMENSIONS.
- IN ALL SYSTEMS OVER 2000 CFM AND LESS THAN 15,000 CFM, SMOKE DETECTORS SHALL BE INSTALLED IN ACCORDANCE WITH NFPA 72E IN THE RETURN DUCT DOWNSTREAM OF THE AIR HANDLING UNIT AND ALL FILTERS TO AUTOMATICALLY STOP THE FAN.
- CONDENSATE DRAINS TO BE PVC PIPE RUN TO PLUMBERS P-TRAP WITHIN FIVE FEET OF AIR HANDLING UNITS.
- ALL AIR HANDLING SYSTEMS TO BE BALANCED TO ASSURE PROPER AIR FLOWS PER PLANS.
- FRESH AIR VENTS SHALL BE EQUIPPED WITH AIR CONTROL DAMPERS AT THE REGISTER.
- REFRIGERANT LINES SHALL BE SIZED BY UNIT MANUFACTURER AND INSTALLED ACCORDING TO MANUFACTURER'S INSTRUCTIONS.
- FRESH AIR SHALL BE SUPPLIED TO EACH AIR HANDLER THROUGH EXTERIOR WALL DUCT SUPPLIED WITH A CONTROL DAMPER.
- ALL MECHANICAL SYMBOLS ARE DRAWN DIAGRAMMATICALLY. CONTRACTOR TO VERIFY WITH OWNER LOCATIONS OF VENTS, DAMPERS, REGISTERS, ETC.
- FINAL LOCATION OF TEMPERATURE CONTROLS TO BE COORDINATED WITH OWNER AT JOB SITE.
- PROVIDE AND INSTALL SMOKE DETECTORS AS APPROVED BY LOCAL AHJ'S. PLACE NEAR R/A AND S/A OPENINGS OF AHU AND PROVIDE WITH ACCESS PANEL, WIRING BY ELECTRICAL CONTRACTOR.
- PROVIDE BIRD SCREENS AT ALL EXTERIOR MECHANICAL PENETRATIONS.



BUILDING ELEVATION
SCALE: 1/8" = 1'-0"



MECHANICAL PLAN
SCALE: 1/8" = 1'-0"

DAMMON ENGINEERING, INC.

LOUISIANA & MISSISSIPPI

Chief Engineer: Brian A. Misch, P.E.
 554 Old Spanish Trail
 Slidell, LA 70458
 www.dammonengineering.com
 info@dammonengineering.com
 PH: 985-649-5832

#	DESCRIPTION	DATE
1	Relocated RTU2 and changed OH for AHU-1 & 2	2/1/2024
2	Added Equipment Screening for RTU #1	5/13/2024

MECHANICAL RENOVATION BOYETSCHOOL

51295 Rebel Dr.
Slidell, LA 70461

JOB No: 2465
DATE: 12-30-2023

DRAWN BY: CKD
CHECKED BY: BAK

SHEET TITLE:
MECHANICAL PLAN

DRAWING NUMBER:
M101

SHEET No: 6 of 9