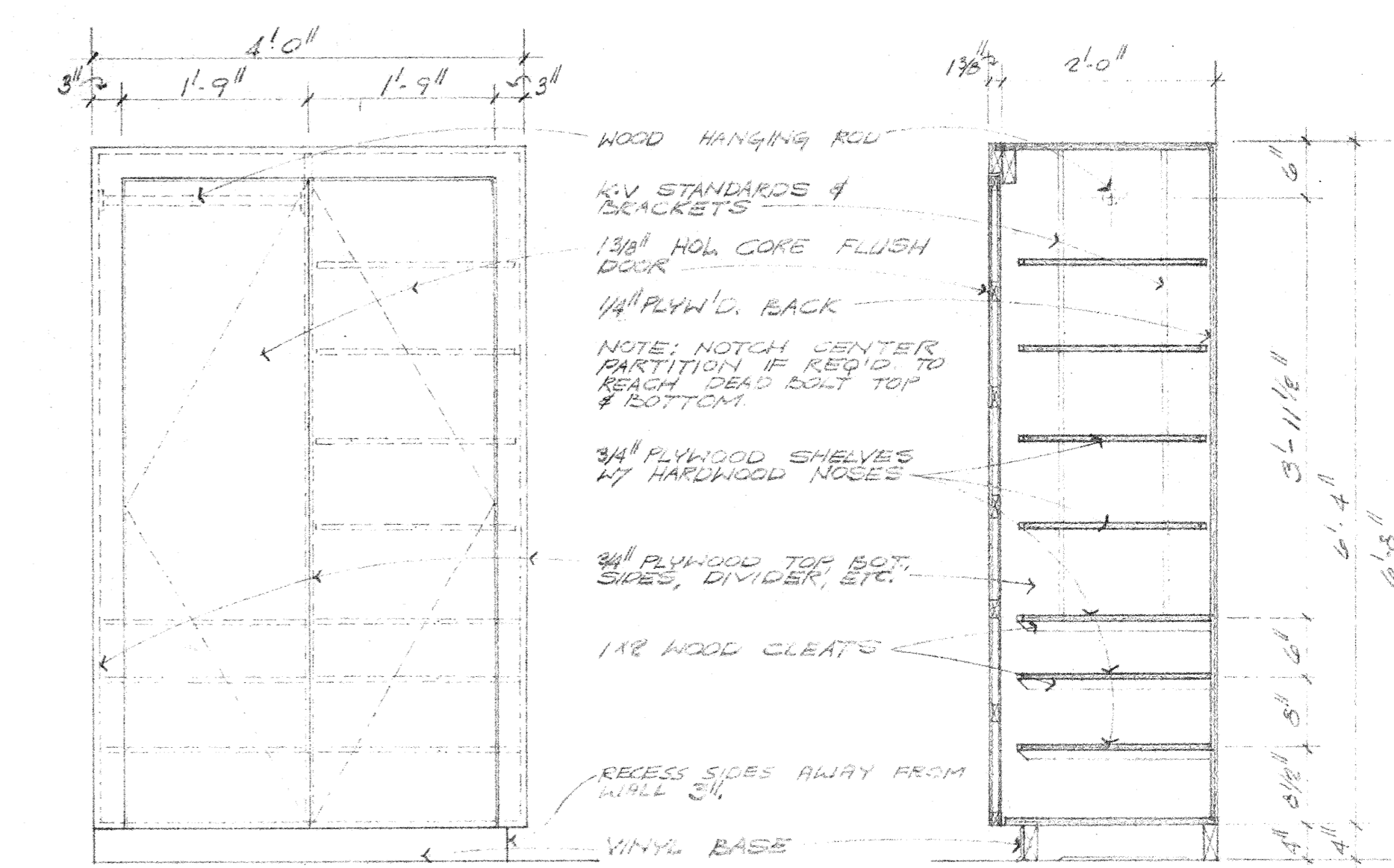
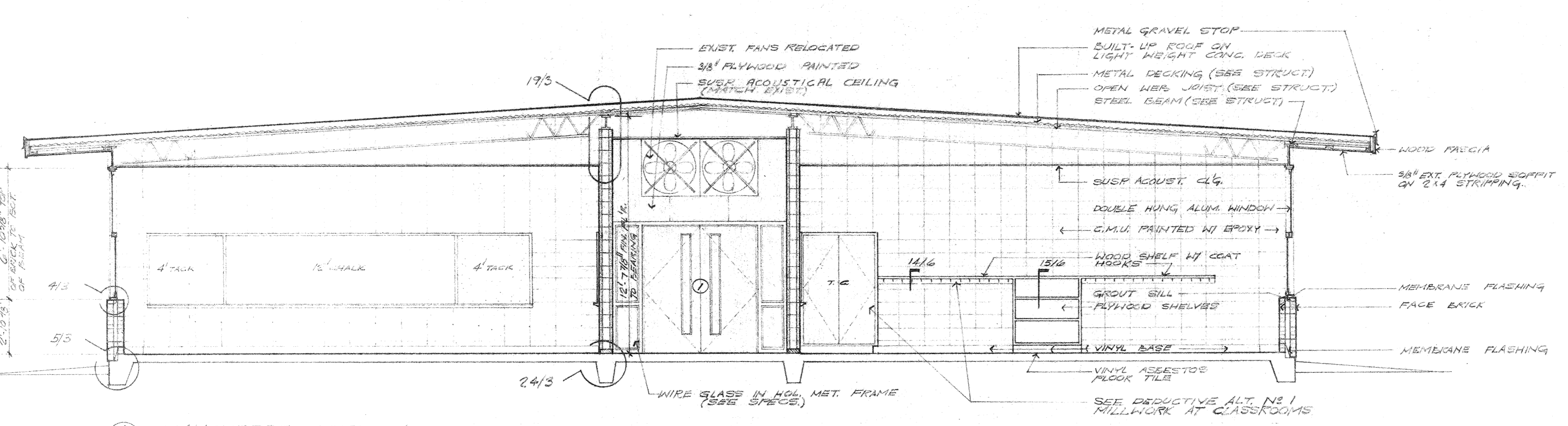
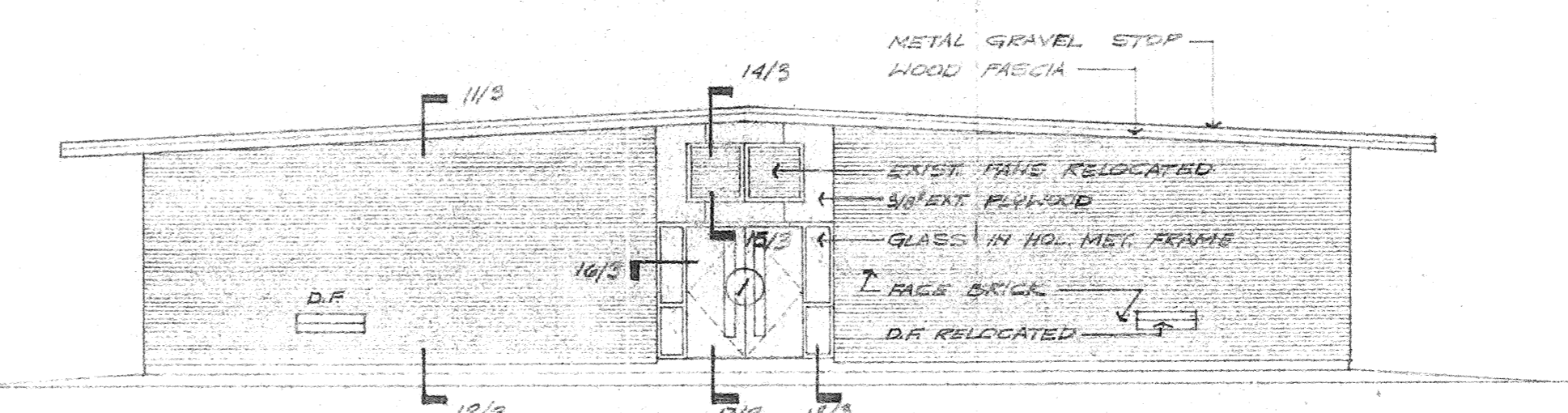
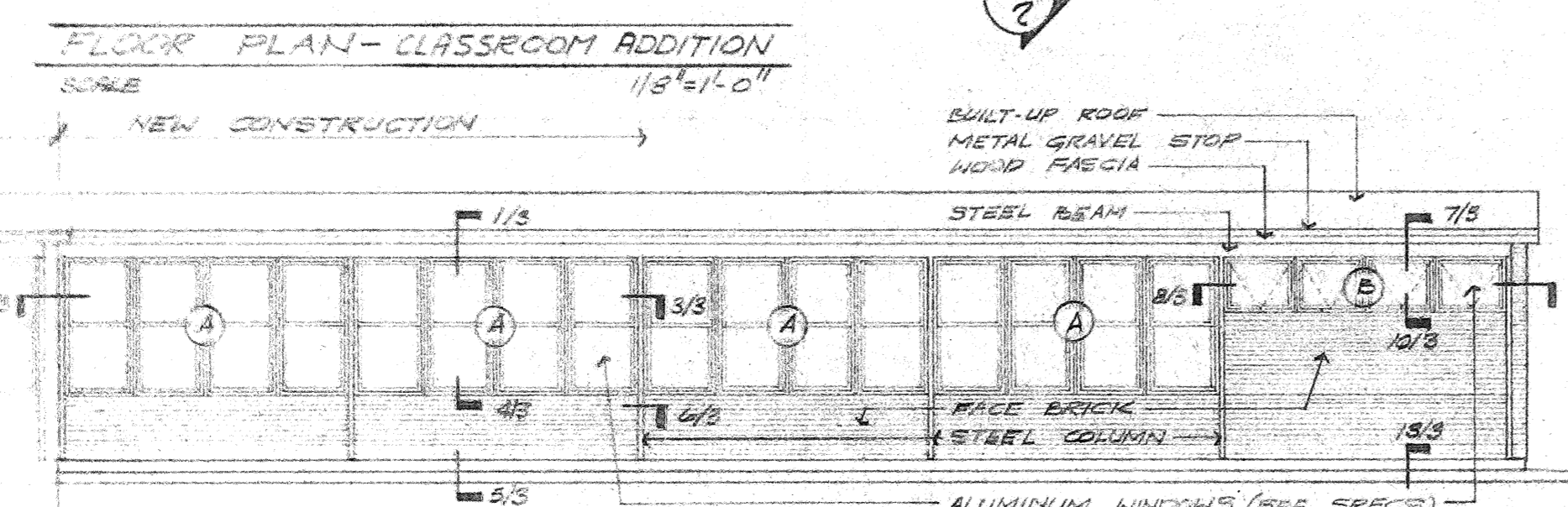


FINISH SCHEDULE							
NR	SPACE	FLOOR	BASE	WALL	CEILING	CLG. HT.	REMARKS
1	CLASSROOM						
2	CLASSROOM						
3	CLASSROOM						
4	CLASSROOM						
5	CORRIDOR						MATCH EXISTING CEILING
6	BOYS REST ROOM						
7	GIRLS REST ROOM						
8	STORAGE						
9	JANITOR						

DOOR SCHEDULE							
NR	W	H	T	DESCRIPTION	TYPE	FRAME	REMARKS
1	PR	3'-0"	6'-8"	1 3/4"	EXT. S.G. FLUSH, PAINT GRADE BIRCH	A	HOL. MET. W/ ALUM. THRESHOLD
2	PR	3'-0"	6'-8"	1 3/4"	INT. S.G. FLUSH	B	HOL. MET.
3	PR	3'-0"	6'-8"	1 3/4"	" " " " " " " "	B	HOL. MET.
4	PR	3'-0"	6'-8"	1 3/4"	" " " " " " " "	B	HOL. MET.
5	PR	3'-0"	6'-8"	1 3/4"	" " " " " " " "	B	HOL. MET.
6	PR	3'-0"	6'-8"	1 3/4"	" " " " " " " "	B	HOL. MET.
7	PR	3'-0"	6'-8"	1 3/4"	" " " " " " " "	B	HOL. MET.
8	PR	3'-0"	6'-8"	1 3/4"	" " " " " " " "	B	HOL. MET.
9	PR	3'-0"	6'-8"	1 3/4"	" " " " " " " "	B	HOL. MET.

WINDOW SCHEDULE				
MARK	W	H	DESCRIPTION	REMARKS
A	3'-5"	6'-8 3/8"	ALUM. DOUBLE HUNG	W/ 7/8" MULLION
B	3'-5"	2'-8 3/8"	ALUM. HOPPER - BOTTOM HINGE, PROJEKT IN	W/ 7/8" MULLION - OBSCURE GLASS

- LEGEND
- FACE BRICK
 - CONCRETE MASONRY UNIT
 - CMU BOND COL. W/ 1" B. BAR CONT.
 - ✓ — VERIFY ON JOB
 - N.T.S. — NOT TO SCALE
 - CMU — CONCRETE MASONRY UNIT
 - W7 — NITR
 - CONT — CONTINUOUS
 - FE — FIRE EXTINGUISHER
 - EWG — ELECTRIC WATER COOLER
 - D.F. — DRINKING FOUNTAIN
 - O.C. — ON CENTER
 - CAB. — CABINET
 - T.C. — TEACHERS CABINET
 - HOL. MET. — HOLLOW METAL
 - EXP. JT. — EXPANSION JOINT
 - (X) — NUMBER OF DETAIL
 - (X) — NO. OF SHEET DETAIL IS DRAWN ON



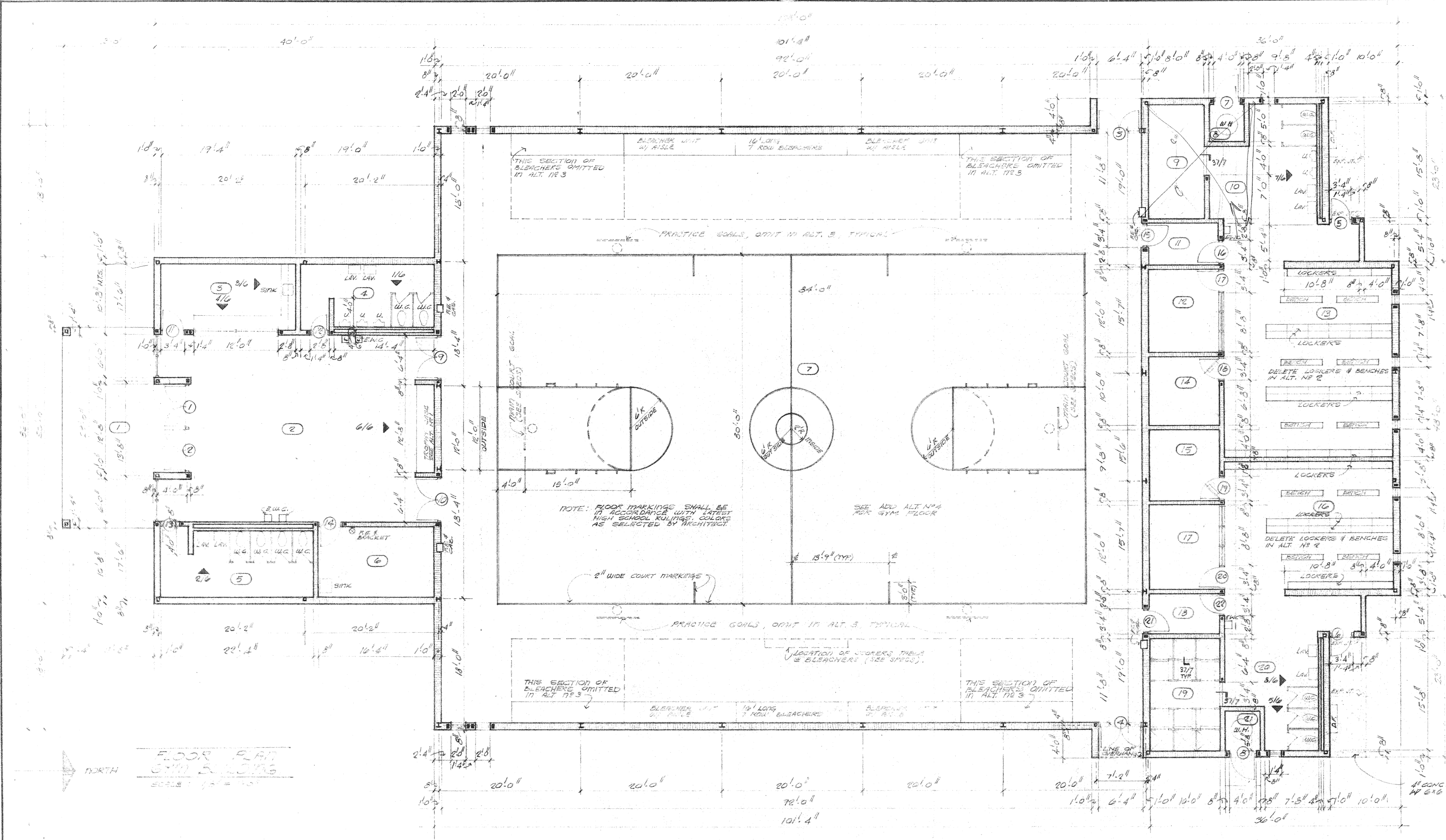
project no. 5205
drawn P.B.
checked S.A.H.
date 2-9-73
revised

HAMILTON, MEYER and ASSOCIATES, INC.
ARCHITECT and ENGINEER

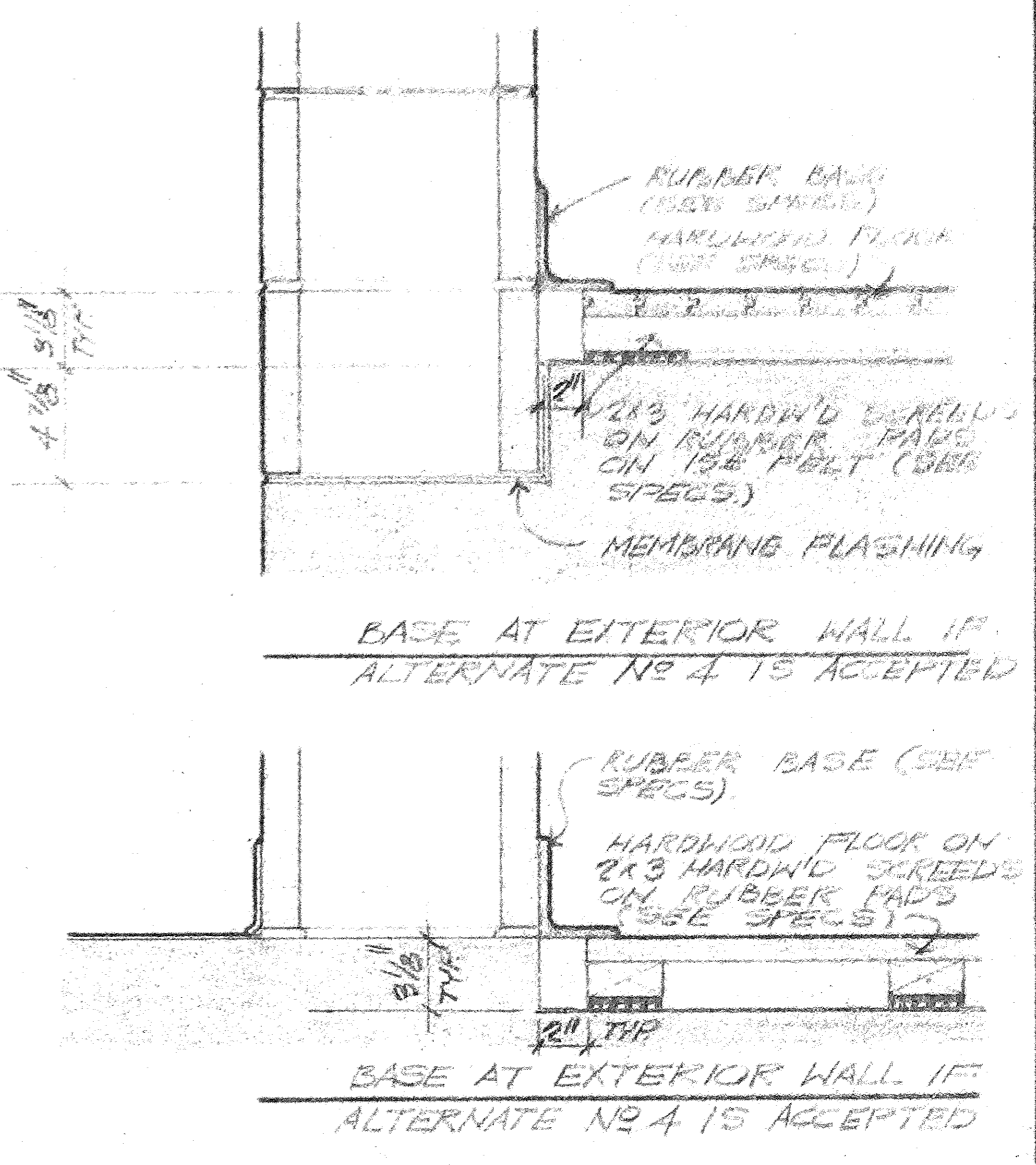
CLASSROOM PLAN ELEVATIONS, SECTION & SCHEDULE

ADDITIONS TO BOYET JUNIOR HIGH SCHOOL
SLIDELL, LOUISIANA
ST. TAMMANY PARISH SCHOOL BOARD, OWNER

sheet no. 2 of 7 sheets

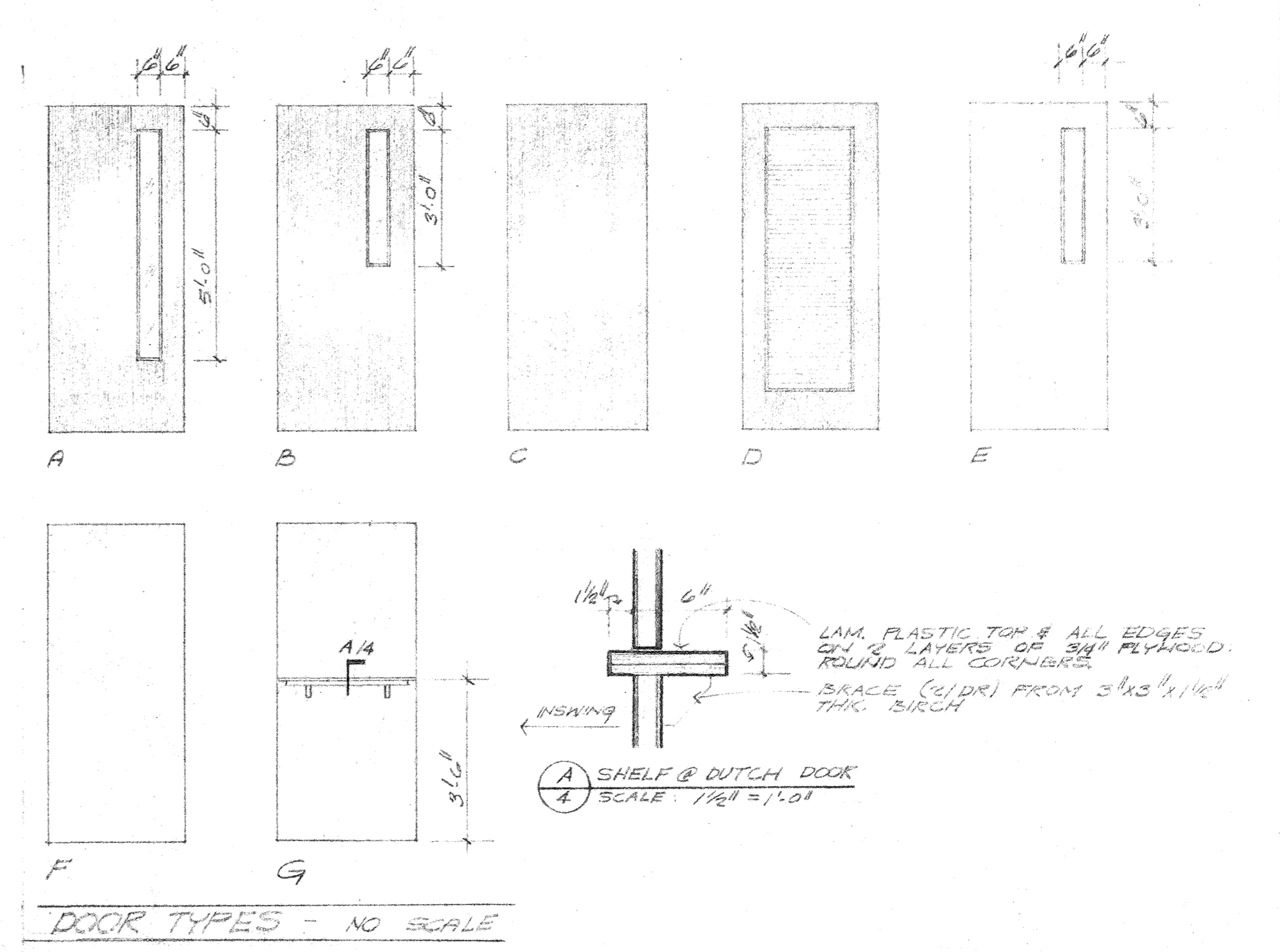


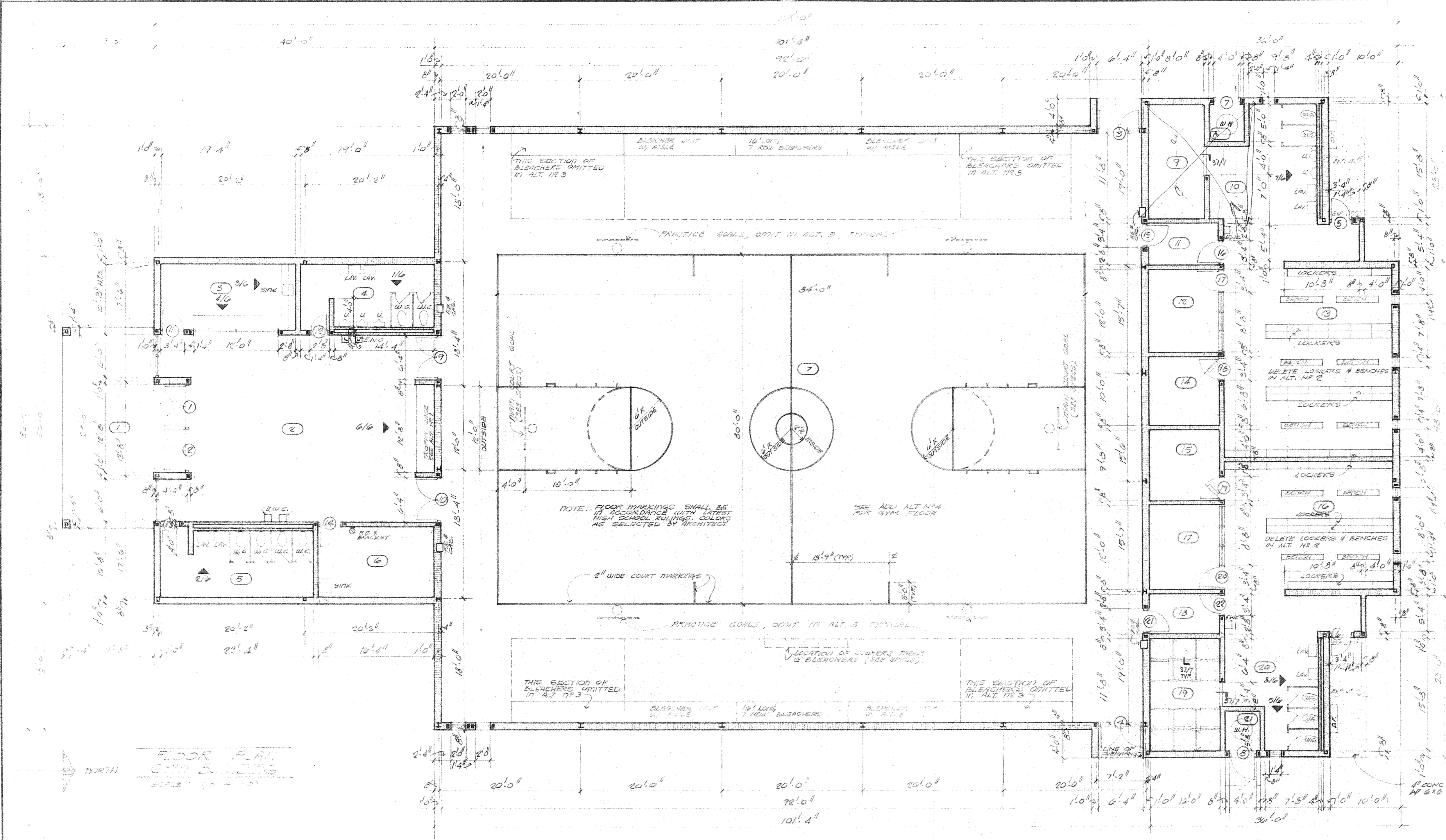
- ALTERNATES**
- DEDUCTIVE**
- OMIT CLASSROOM, CONCESSION & LOBBY (TROPHY CASE) MILLWORK
 - OMIT LOCKERS & BENCHES IN BOYS & GIRLS LOCKERS
 - OMIT 4 SECTIONS OF BLEACHERS & 4 PRACTICE GOALS TO INDICATE OF THE PLAN.
- ADDITIVE**
- PROVIDE HARDWOOD SYMMONY FLOOR IN LIEU OF VINYL ASBESTOS FLOOR (SEE DETAIL), (SEE SPEC.)



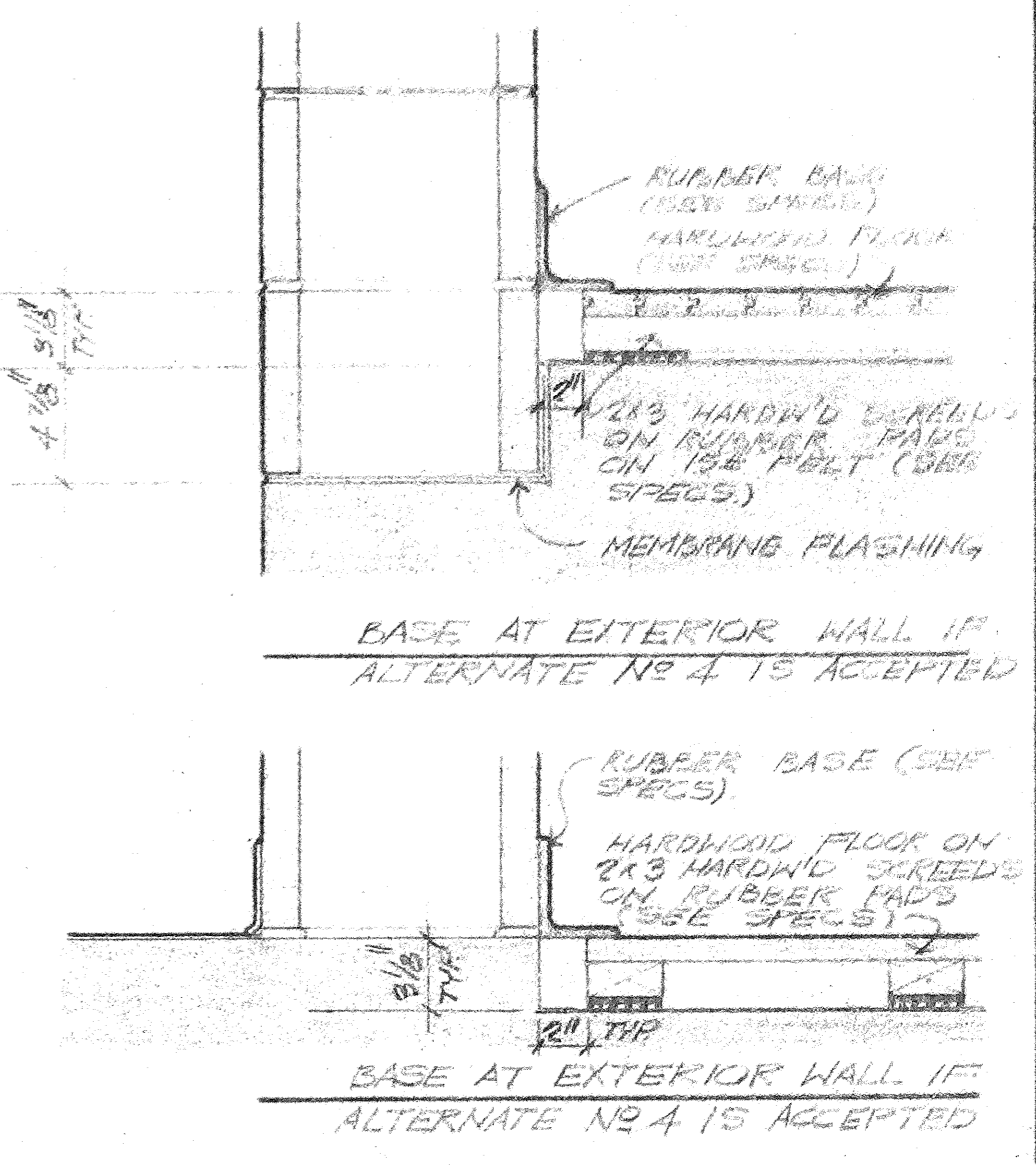
NR	SPACE	FLOOR	BASE	WALLS	CEILING	CLG. HT.	REMARKS
1	ENTRY PORCH	VINYL ASBESTOS CONCRETE	VINYL OF RUBBER	CONCRETE	CONCRETE	10'-0"	
2	LOBBY	WOOD (SEE ALT. NO. 4)	WOOD (SEE ALT. NO. 4)	WOOD (SEE ALT. NO. 4)	WOOD (SEE ALT. NO. 4)	10'-0"	
3	CONCESSION	WOOD (SEE ALT. NO. 4)	WOOD (SEE ALT. NO. 4)	WOOD (SEE ALT. NO. 4)	WOOD (SEE ALT. NO. 4)	10'-0"	
4	MEET	WOOD (SEE ALT. NO. 4)	WOOD (SEE ALT. NO. 4)	WOOD (SEE ALT. NO. 4)	WOOD (SEE ALT. NO. 4)	10'-0"	
5	WOMEN	WOOD (SEE ALT. NO. 4)	WOOD (SEE ALT. NO. 4)	WOOD (SEE ALT. NO. 4)	WOOD (SEE ALT. NO. 4)	10'-0"	
6	JANTOX & STORAGE	WOOD (SEE ALT. NO. 4)	WOOD (SEE ALT. NO. 4)	WOOD (SEE ALT. NO. 4)	WOOD (SEE ALT. NO. 4)	10'-0"	
7	GYMNASIUM	WOOD (SEE ALT. NO. 4)	WOOD (SEE ALT. NO. 4)	WOOD (SEE ALT. NO. 4)	WOOD (SEE ALT. NO. 4)	10'-0"	
8	WATER HEATER	WOOD (SEE ALT. NO. 4)	WOOD (SEE ALT. NO. 4)	WOOD (SEE ALT. NO. 4)	WOOD (SEE ALT. NO. 4)	10'-0"	
9	SHOWER	WOOD (SEE ALT. NO. 4)	WOOD (SEE ALT. NO. 4)	WOOD (SEE ALT. NO. 4)	WOOD (SEE ALT. NO. 4)	10'-0"	
10	DRY OFF	WOOD (SEE ALT. NO. 4)	WOOD (SEE ALT. NO. 4)	WOOD (SEE ALT. NO. 4)	WOOD (SEE ALT. NO. 4)	10'-0"	
11	FOYER	WOOD (SEE ALT. NO. 4)	WOOD (SEE ALT. NO. 4)	WOOD (SEE ALT. NO. 4)	WOOD (SEE ALT. NO. 4)	10'-0"	
12	OFFICE	WOOD (SEE ALT. NO. 4)	WOOD (SEE ALT. NO. 4)	WOOD (SEE ALT. NO. 4)	WOOD (SEE ALT. NO. 4)	10'-0"	
13	BOYS LOCKERS	WOOD (SEE ALT. NO. 4)	WOOD (SEE ALT. NO. 4)	WOOD (SEE ALT. NO. 4)	WOOD (SEE ALT. NO. 4)	10'-0"	
14	STORAGE	WOOD (SEE ALT. NO. 4)	WOOD (SEE ALT. NO. 4)	WOOD (SEE ALT. NO. 4)	WOOD (SEE ALT. NO. 4)	10'-0"	
15	STORAGE	WOOD (SEE ALT. NO. 4)	WOOD (SEE ALT. NO. 4)	WOOD (SEE ALT. NO. 4)	WOOD (SEE ALT. NO. 4)	10'-0"	
16	GIRLS LOCKERS	WOOD (SEE ALT. NO. 4)	WOOD (SEE ALT. NO. 4)	WOOD (SEE ALT. NO. 4)	WOOD (SEE ALT. NO. 4)	10'-0"	
17	OFFICE	WOOD (SEE ALT. NO. 4)	WOOD (SEE ALT. NO. 4)	WOOD (SEE ALT. NO. 4)	WOOD (SEE ALT. NO. 4)	10'-0"	
18	FOYER	WOOD (SEE ALT. NO. 4)	WOOD (SEE ALT. NO. 4)	WOOD (SEE ALT. NO. 4)	WOOD (SEE ALT. NO. 4)	10'-0"	
19	SHOWER	WOOD (SEE ALT. NO. 4)	WOOD (SEE ALT. NO. 4)	WOOD (SEE ALT. NO. 4)	WOOD (SEE ALT. NO. 4)	10'-0"	
20	DRY OFF	WOOD (SEE ALT. NO. 4)	WOOD (SEE ALT. NO. 4)	WOOD (SEE ALT. NO. 4)	WOOD (SEE ALT. NO. 4)	10'-0"	
21	WATER HEATER	WOOD (SEE ALT. NO. 4)	WOOD (SEE ALT. NO. 4)	WOOD (SEE ALT. NO. 4)	WOOD (SEE ALT. NO. 4)	10'-0"	

NR	W	H	T	DESCRIPTION	TYPE	FRAME	REMARKS
1	3'-0"	7'-0"	134	HOL. MET. W/ GLASS LITE	A	HOL. MET. W/ ALUM. THRESHOLD	
2	3'-0"	7'-0"	134	HOL. MET. W/ GLASS LITE	B	HOL. MET. W/ ALUM. THRESHOLD	
3	3'-0"	7'-0"	134	HOL. MET. W/ GLASS LITE	C	HOL. MET. W/ ALUM. THRESHOLD	
4	3'-0"	7'-0"	134	HOL. MET. W/ GLASS LITE	D	HOL. MET. W/ ALUM. THRESHOLD	
5	3'-0"	7'-0"	134	HOL. MET. FLUSH	E	HOL. MET. W/ ALUM. THRESHOLD	
6	3'-0"	7'-0"	134	HOL. MET. FLUSH	F	HOL. MET. W/ ALUM. THRESHOLD	
7	3'-0"	7'-0"	134	HOL. MET. FULLY LOUVERED	G	HOL. MET. W/ ALUM. THRESHOLD	
8	3'-0"	7'-0"	134	HOL. MET. FULLY LOUVERED	H	HOL. MET. W/ ALUM. THRESHOLD	
9	3'-0"	7'-0"	134	HOL. MET. FULLY LOUVERED	I	HOL. MET. W/ ALUM. THRESHOLD	
10	3'-0"	7'-0"	134	HOL. MET. FULLY LOUVERED	J	HOL. MET. W/ ALUM. THRESHOLD	
11	3'-0"	7'-0"	134	HOL. MET. FULLY LOUVERED	K	HOL. MET. W/ ALUM. THRESHOLD	
12	3'-0"	7'-0"	134	HOL. MET. FULLY LOUVERED	L	HOL. MET. W/ ALUM. THRESHOLD	
13	3'-0"	7'-0"	134	HOL. MET. FULLY LOUVERED	M	HOL. MET. W/ ALUM. THRESHOLD	
14	3'-0"	7'-0"	134	HOL. MET. FULLY LOUVERED	N	HOL. MET. W/ ALUM. THRESHOLD	
15	3'-0"	7'-0"	134	HOL. MET. FULLY LOUVERED	O	HOL. MET. W/ ALUM. THRESHOLD	
16	3'-0"	7'-0"	134	HOL. MET. FULLY LOUVERED	P	HOL. MET. W/ ALUM. THRESHOLD	
17	3'-0"	7'-0"	134	HOL. MET. FULLY LOUVERED	Q	HOL. MET. W/ ALUM. THRESHOLD	
18	3'-0"	7'-0"	134	HOL. MET. FULLY LOUVERED	R	HOL. MET. W/ ALUM. THRESHOLD	
19	3'-0"	7'-0"	134	HOL. MET. FULLY LOUVERED	S	HOL. MET. W/ ALUM. THRESHOLD	
20	3'-0"	7'-0"	134	HOL. MET. FULLY LOUVERED	T	HOL. MET. W/ ALUM. THRESHOLD	
21	3'-0"	7'-0"	134	HOL. MET. FULLY LOUVERED	U	HOL. MET. W/ ALUM. THRESHOLD	
22	3'-0"	7'-0"	134	HOL. MET. FULLY LOUVERED	V	HOL. MET. W/ ALUM. THRESHOLD	





- ALTERNATES**
- DEDUCTIVE**
- OMIT CLASSROOM, CONCESSION & LOBBY (TROPHY CASE) MILLWORK
 - OMIT LOCKERS & BENCHES IN BOYS & GIRLS LOCKERS
 - OMIT 4 SECTIONS OF BLEACHERS & 4 PRACTICE GOALS TO INDICATE OF THE PLAN.
- ADDITIVE**
- PROVIDE HARDWOOD SYMMONY FLOOR IN LIEU OF VINYL ASBESTOS FLOOR (SEE DETAIL), (SEE SPEC.)

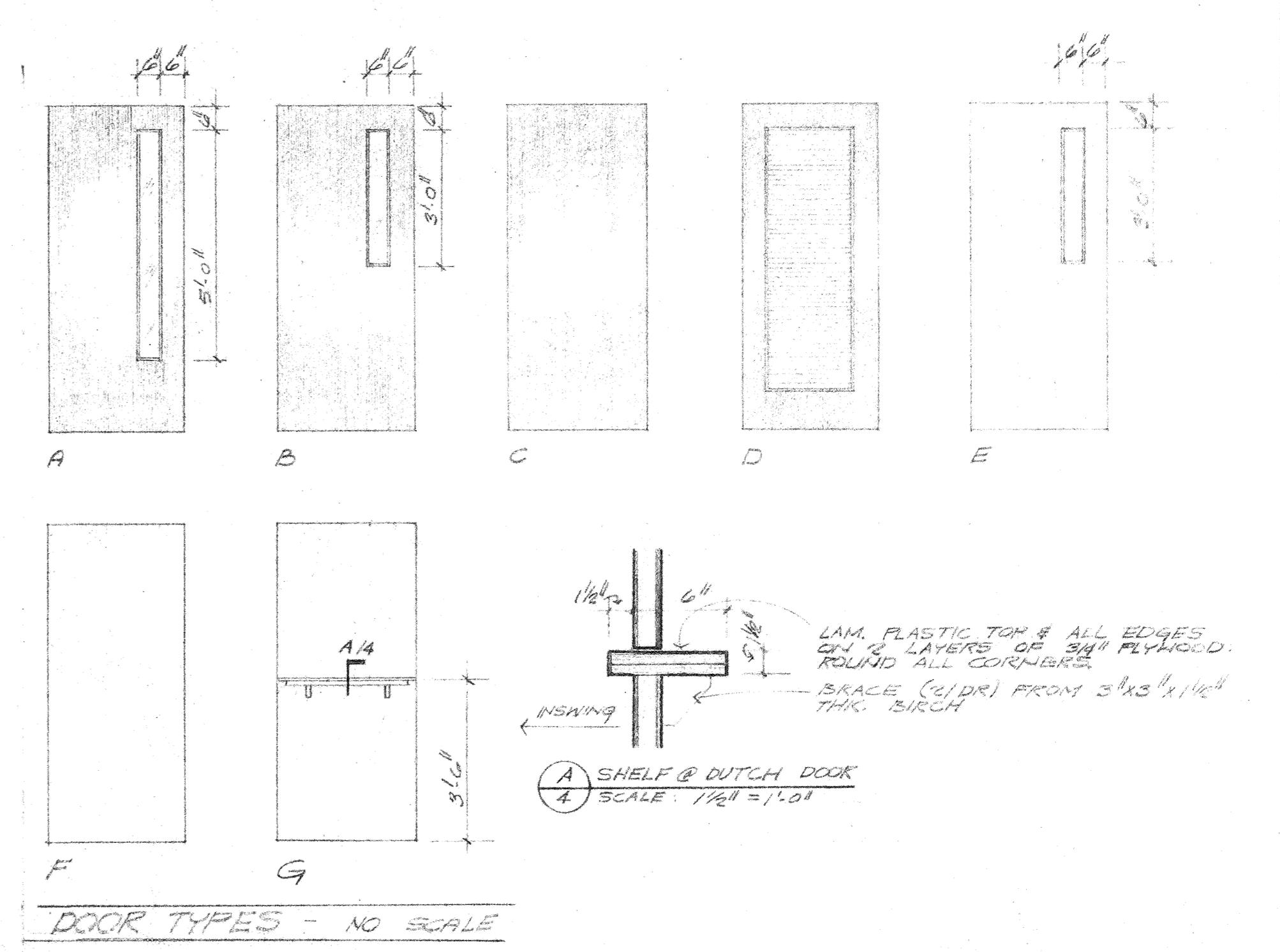


ROOM FINISH SCHEDULE

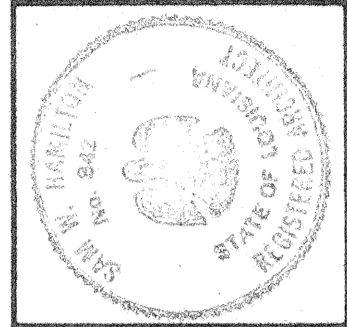
NR	SPACE	FLOOR	BASE	WALLS	CEILING	CUR. HT.	REMARKS
1	ENTRY PORCH	VINYL ASBESTOS CONCRETE	WOOD (SEE ALT. NO. 4)	VINYL OR PAPER		10'-0"	
2	LOBBY					10'-0"	
3	CONCESSION					10'-0"	
4	MEET					10'-0"	
5	WOMEN					10'-0"	
6	JANTOX & STORAGE					10'-0"	
7	GYMNASIUM					10'-0"	
8	WATER HEATER					10'-0"	
9	SHOWER					10'-0"	
10	DRY OFF					10'-0"	
11	FOYER					10'-0"	
12	OFFICE					10'-0"	
13	BOYS LOCKERS					10'-0"	
14	STORAGE					10'-0"	
15	STORAGE					10'-0"	
16	GIRLS LOCKERS					10'-0"	
17	OFFICE					10'-0"	
18	FOYER					10'-0"	
19	SHOWER					10'-0"	
20	DRY OFF					10'-0"	
21	WATER HEATER					10'-0"	

DOOR SCHEDULE

NR	W	H	T	DESCRIPTION	TYPE	FRAME	REMARKS
1	3'-0"	7'-0"	134	HOL. MET. W/ GLASS LITE	A	HOL. MET. W/ ALUM. THRESHOLD	
2	3'-0"	"	"	" " " " " " " "	B	HOL. MET. W/ ALUM. THRESHOLD	
3	3'-0"	"	"	HOL. MET. W/ GLASS LITE	C	HOL. MET. W/ ALUM. THRESHOLD	
4	3'-0"	"	"	" " " " " " " "	D	HOL. MET. W/ ALUM. THRESHOLD	
5	3'-0"	"	"	HOL. MET. FLUSH	E	HOL. MET. W/ ALUM. THRESHOLD	
6	3'-0"	"	"	" " " " " " " "	F	HOL. MET. W/ ALUM. THRESHOLD	
7	3'-0"	"	"	HOL. MET. FULLY LOUVERED	G	HOL. MET. W/ ALUM. THRESHOLD	
8	3'-0"	"	"	" " " " " " " "	H	HOL. MET. W/ ALUM. THRESHOLD	
9	3'-0"	"	"	INT. EX. FLUSH PAINT GRADE BIRCH	I	HOL. MET. W/ GLASS LITE	
10	3'-0"	"	"	" " " " " " " "	J	HOL. MET. W/ GLASS LITE	
11	3'-0"	"	"	" " " " " " " "	K	HOL. MET. W/ GLASS LITE	
12	3'-0"	"	"	" " " " " " " "	L	HOL. MET. W/ GLASS LITE	
13	3'-0"	"	"	" " " " " " " "	M	HOL. MET. W/ GLASS LITE	
14	3'-0"	"	"	" " " " " " " "	N	HOL. MET. W/ GLASS LITE	
15	3'-0"	"	"	" " " " " " " "	O	HOL. MET. W/ GLASS LITE	
16	3'-0"	"	"	" " " " " " " "	P	HOL. MET. W/ GLASS LITE	
17	3'-0"	"	"	" " " " " " " "	Q	HOL. MET. W/ GLASS LITE	
18	3'-0"	"	"	" " " " " " " "	R	HOL. MET. W/ GLASS LITE	
19	3'-0"	"	"	" " " " " " " "	S	HOL. MET. W/ GLASS LITE	
20	3'-0"	"	"	" " " " " " " "	T	HOL. MET. W/ GLASS LITE	
21	3'-0"	"	"	" " " " " " " "	U	HOL. MET. W/ GLASS LITE	
22	3'-0"	"	"	" " " " " " " "	V	HOL. MET. W/ GLASS LITE	



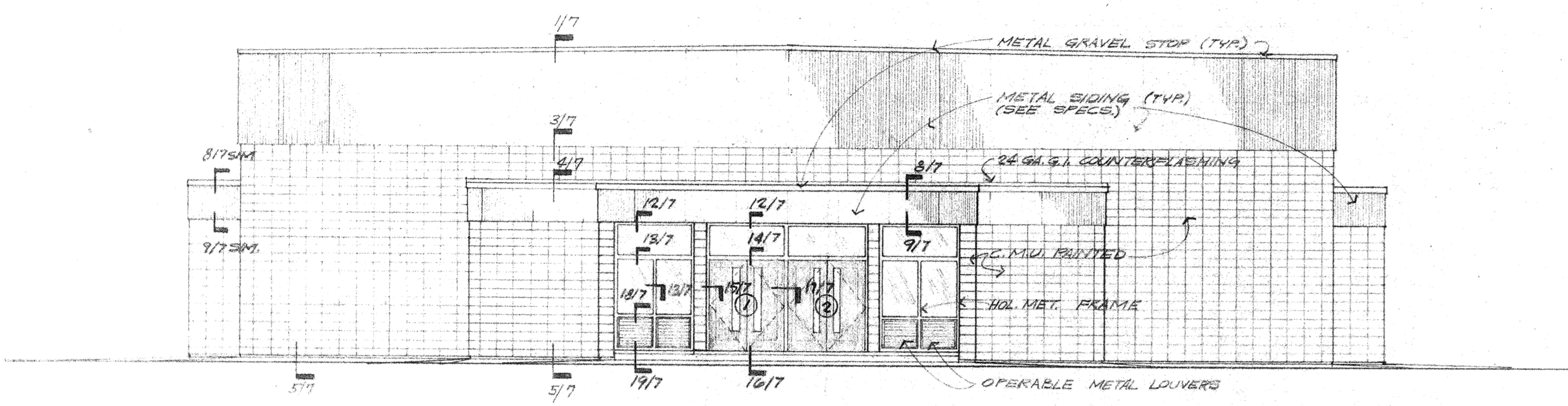
project no. 5108
 drawn. PMS
 checked SHH
 date 2-9-72
 revised



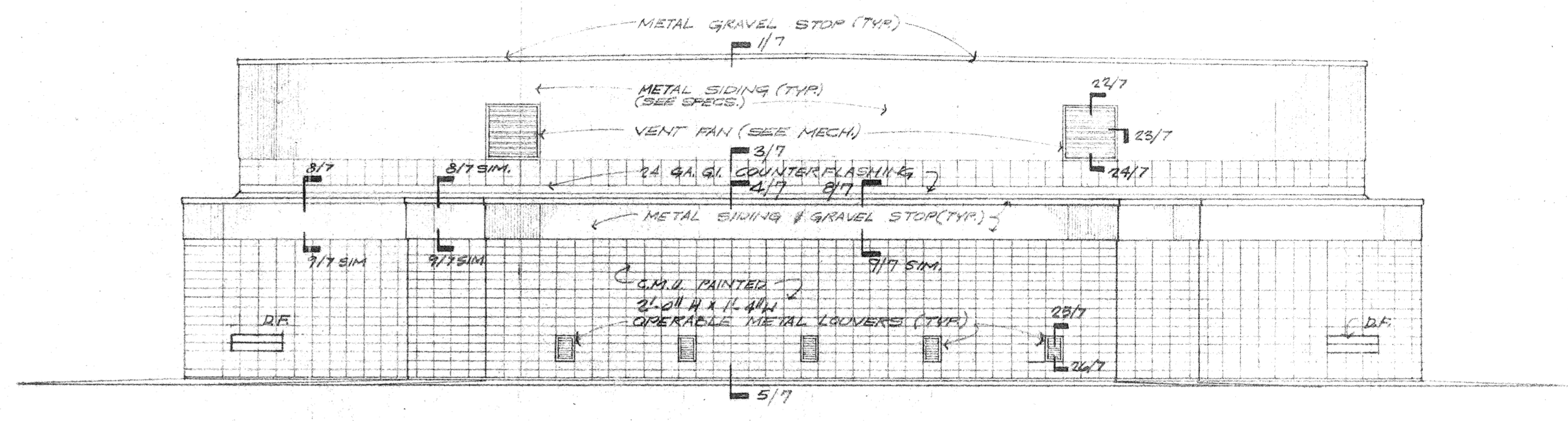
HAMILTON, MEYER and ASSOCIATES, INC.
 ARCHITECT and ENGINEER

GYMNASIUM EXTERIOR ELEVATIONS & SECTION
 ADDITIONS TO BOYET JUNIOR HIGH SCHOOL
 SLIDELL, LOUISIANA
 ST. TAMMANY PARISH SCHOOL BOARD, OWNER

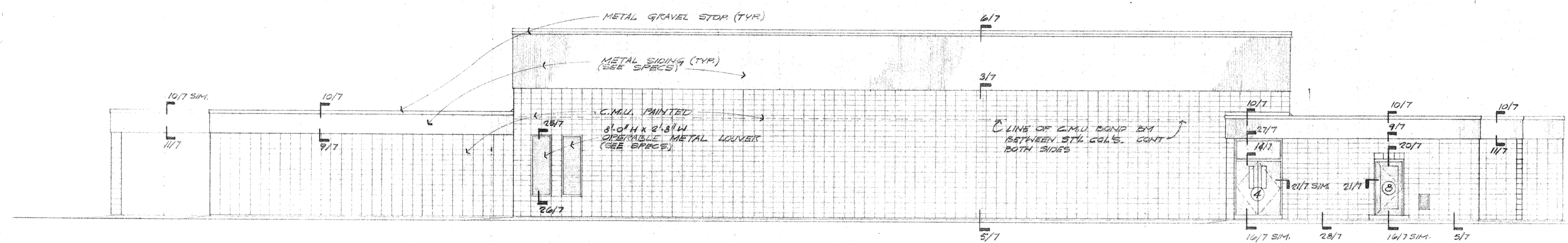
sheet no. **5**
 of 7 sheets



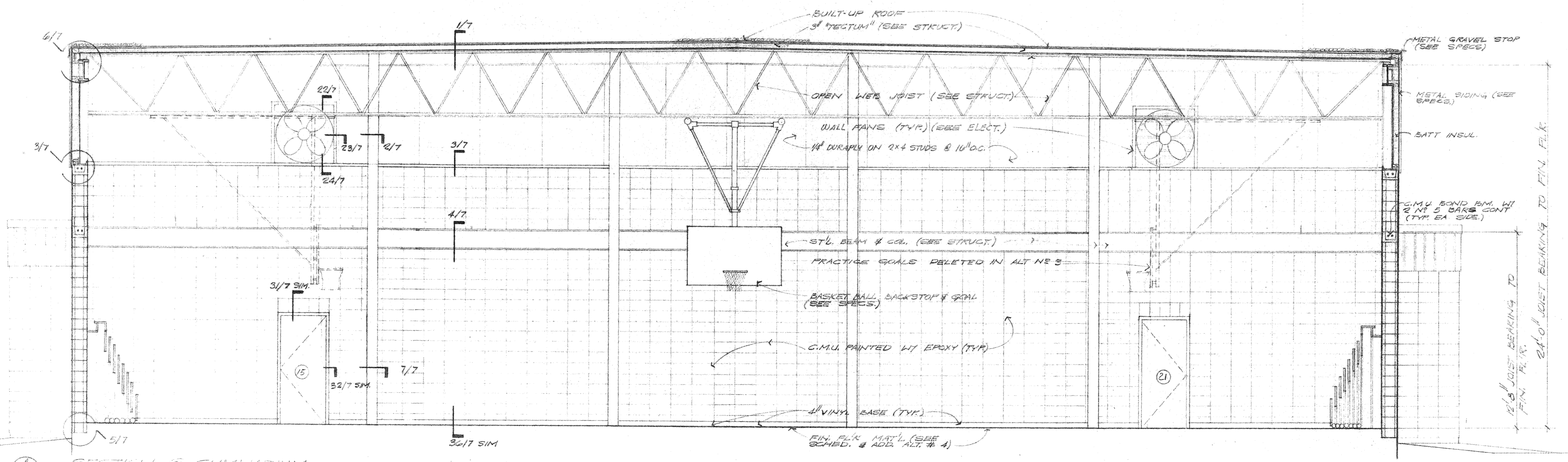
SOUTH ELEVATION
 SCALE: 1/8" = 1'-0"



NORTH ELEVATION
 SCALE: 1/8" = 1'-0"

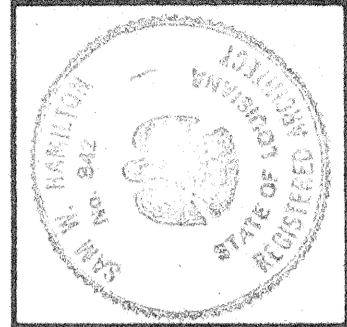


EAST ELEVATION
 SCALE: 1/8" = 1'-0"



SECTION 5 GYMNASIUM
 SCALE: 1/4" = 1'-0"

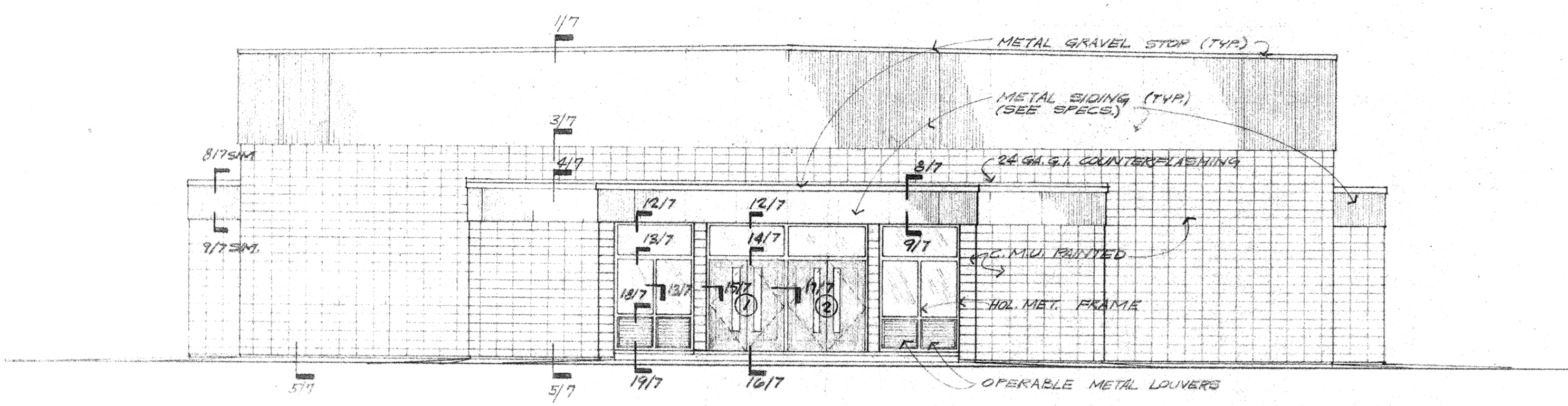
project no. 5103
 drawn. PMS
 checked SHH
 date 2-9-72
 revised



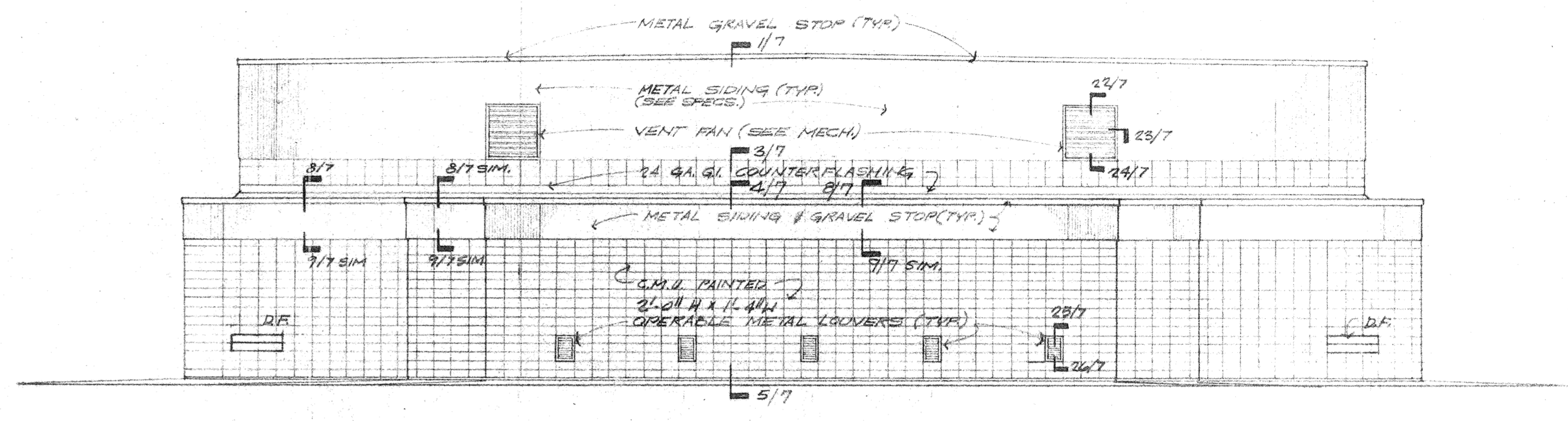
HAMILTON, MEYER and ASSOCIATES, INC.
 ARCHITECT and ENGINEER

GYMNASIUM EXTERIOR ELEVATIONS & SECTION
 ADDITIONS TO BOYET JUNIOR HIGH SCHOOL
 SLIDELL, LOUISIANA
 ST. TAMMANY PARISH SCHOOL BOARD, OWNER

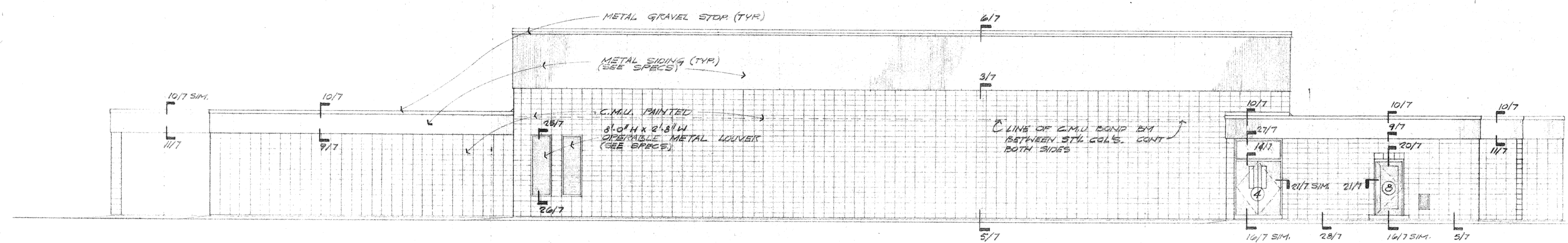
sheet no.
5
 of 7 sheets



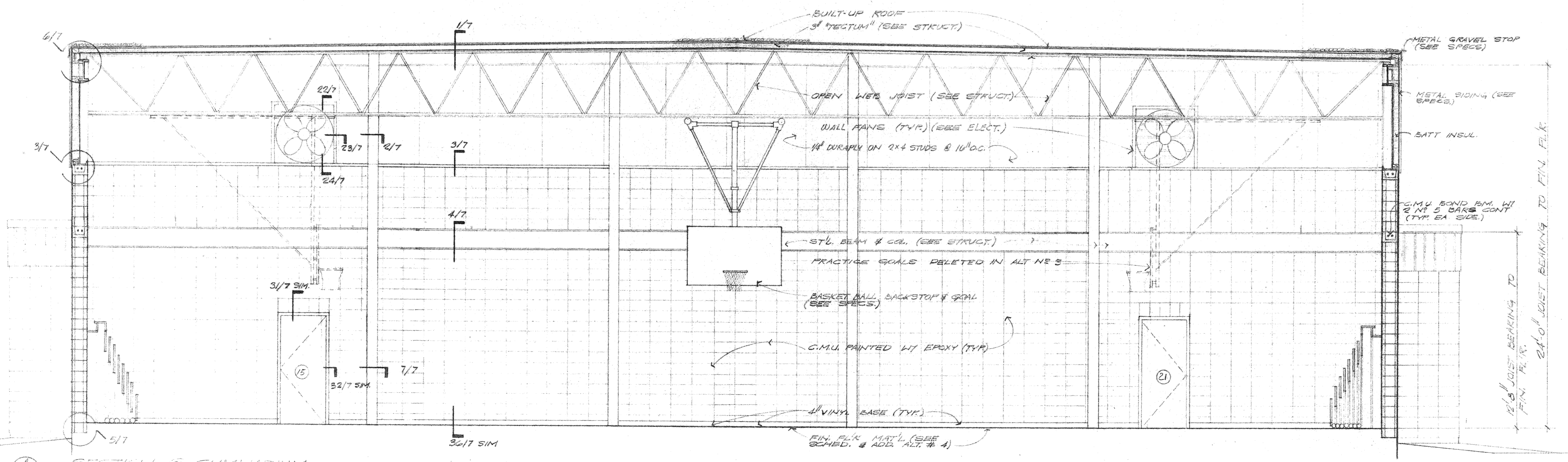
SOUTH ELEVATION
 SCALE: 1/8" = 1'-0"



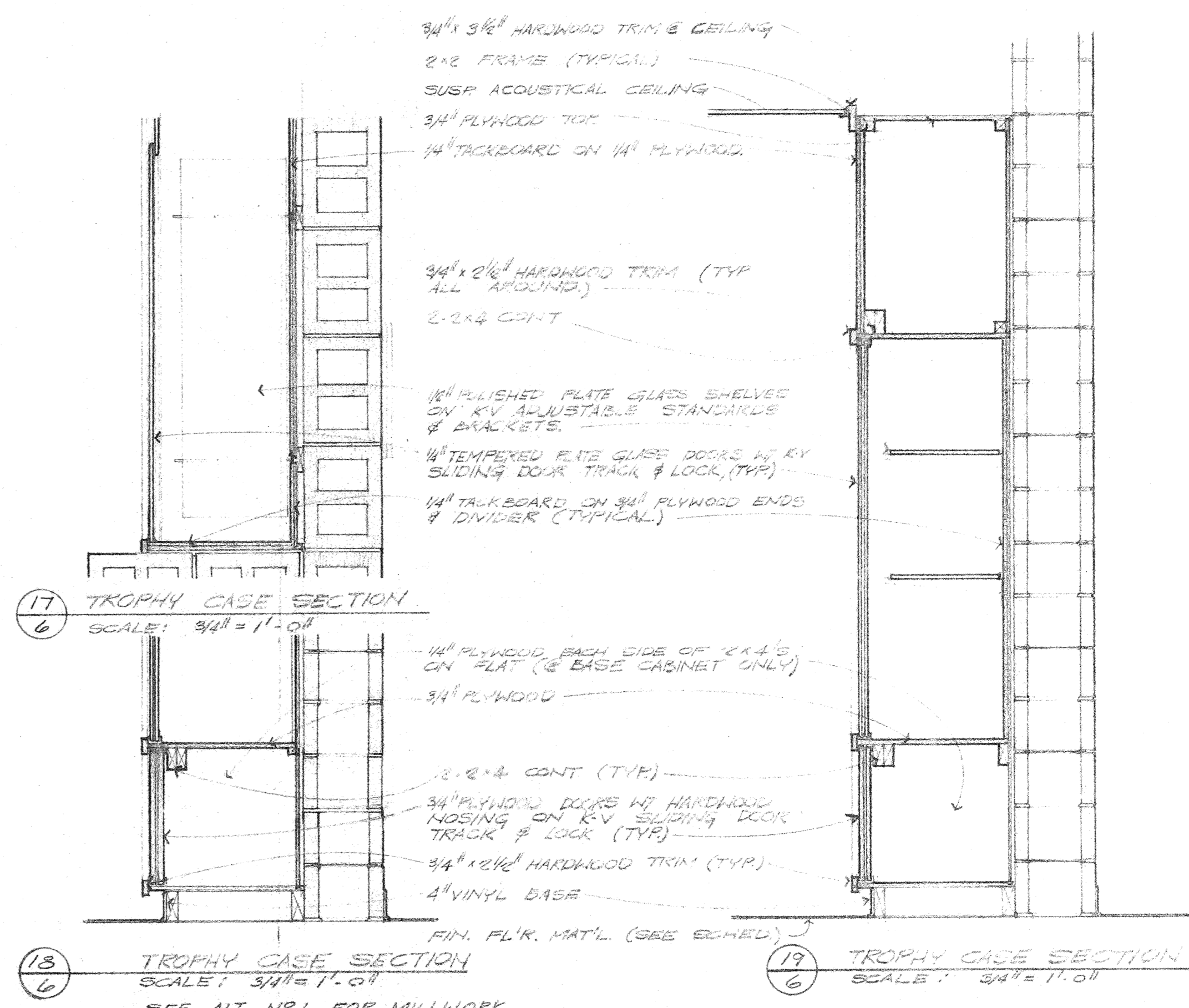
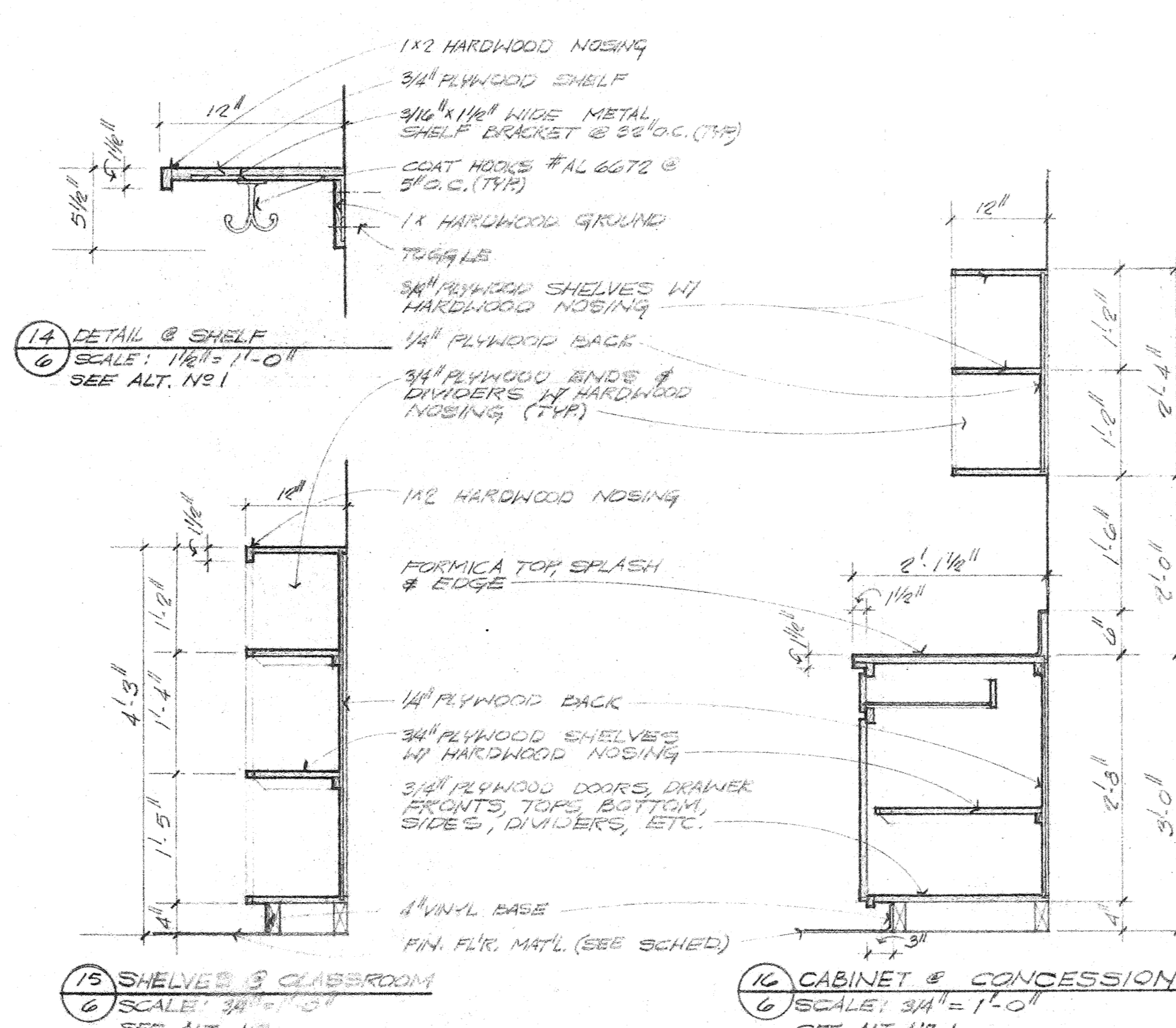
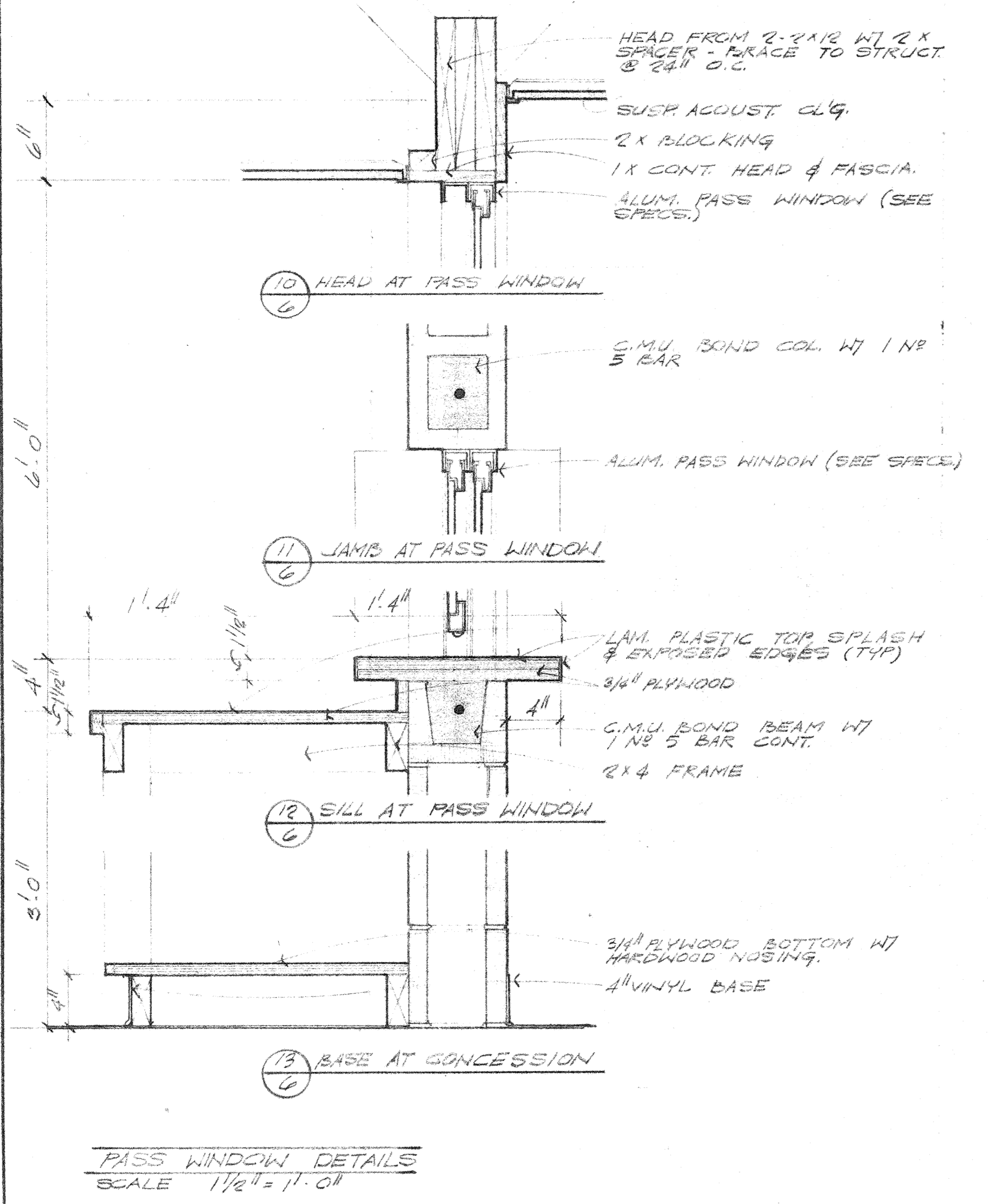
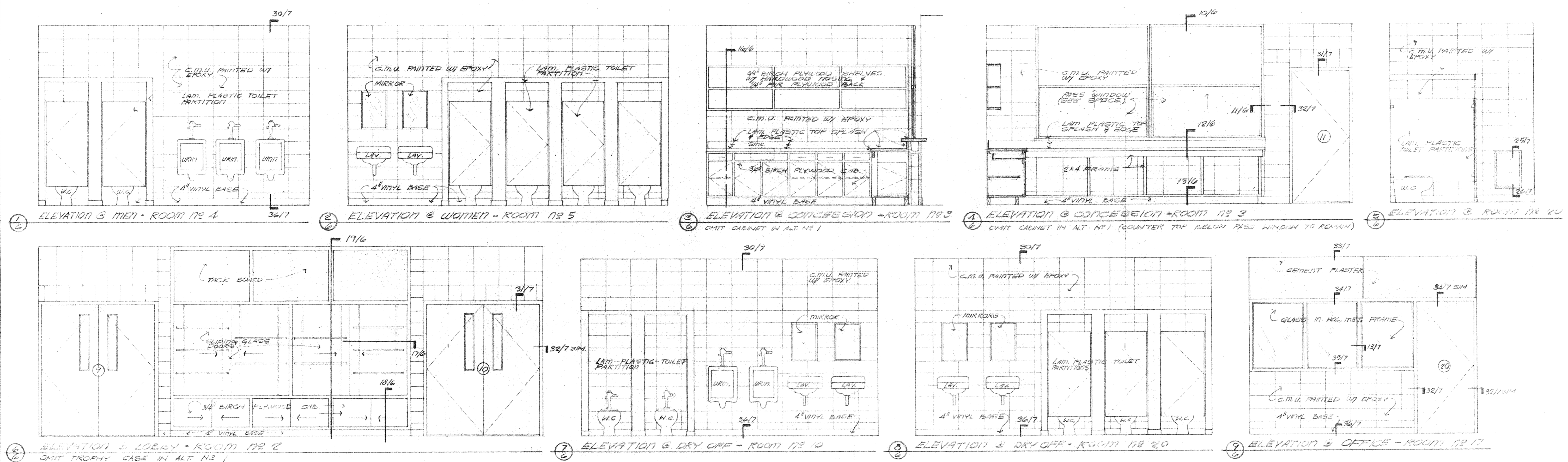
NORTH ELEVATION
 SCALE: 1/8" = 1'-0"

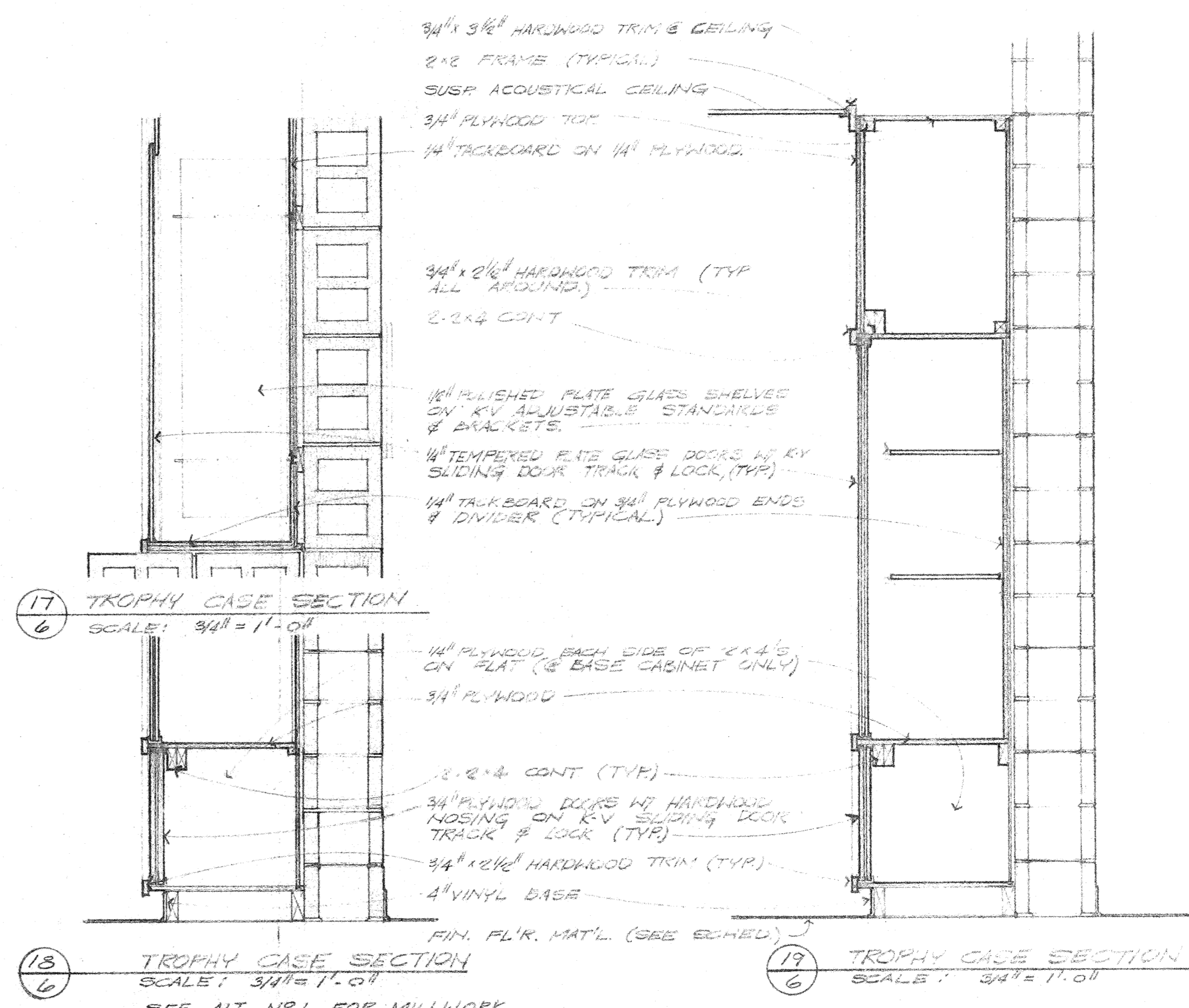
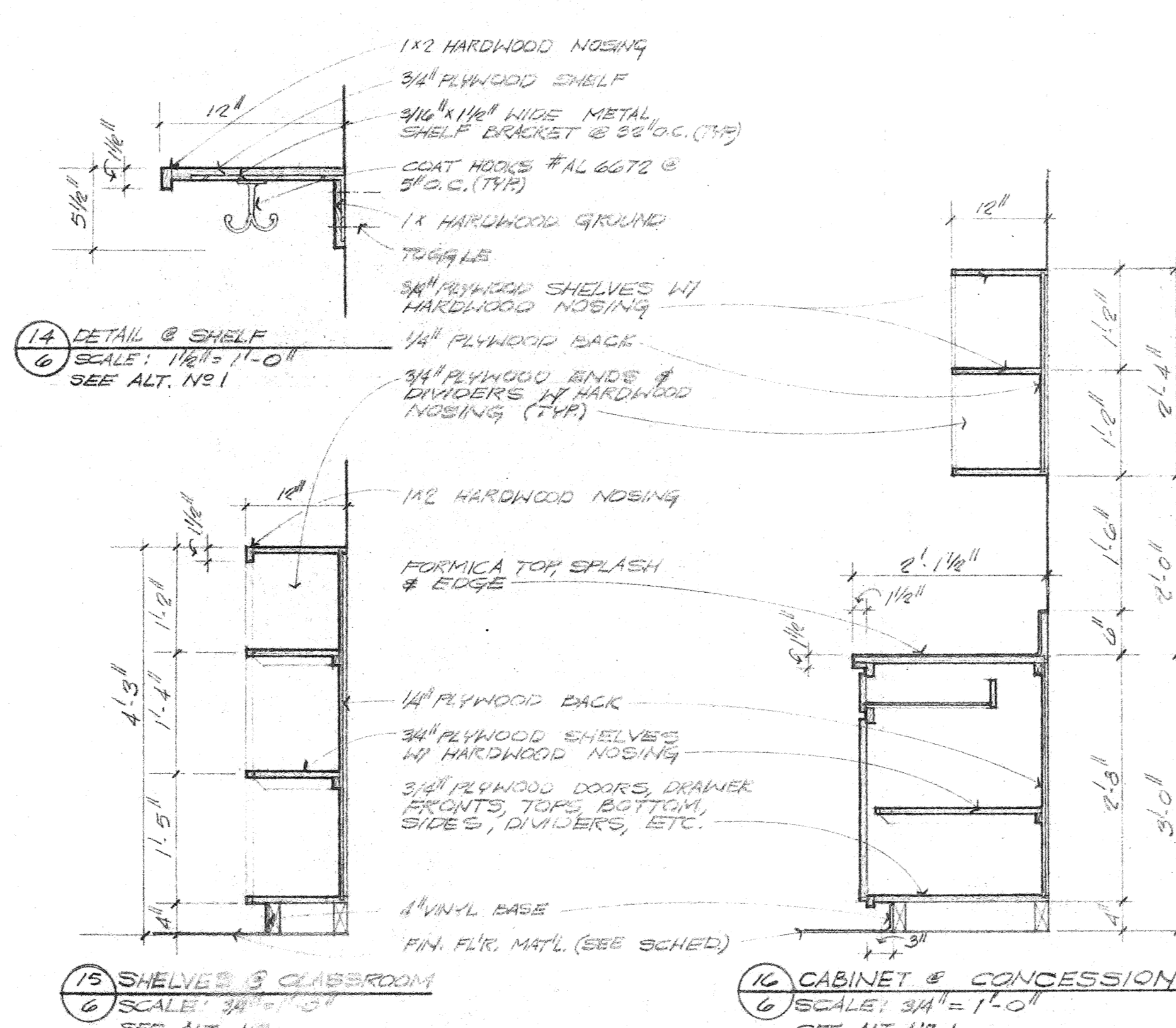
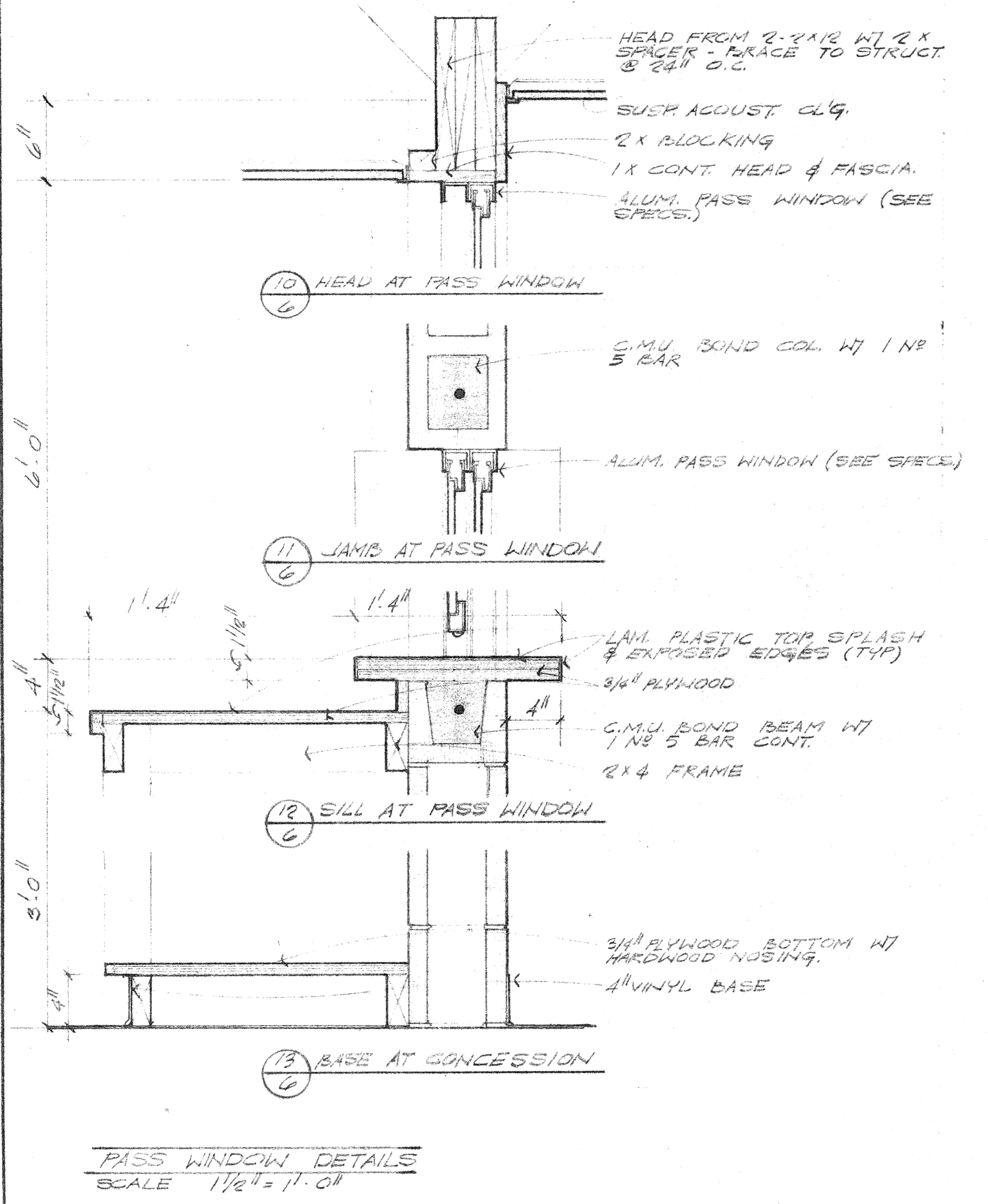
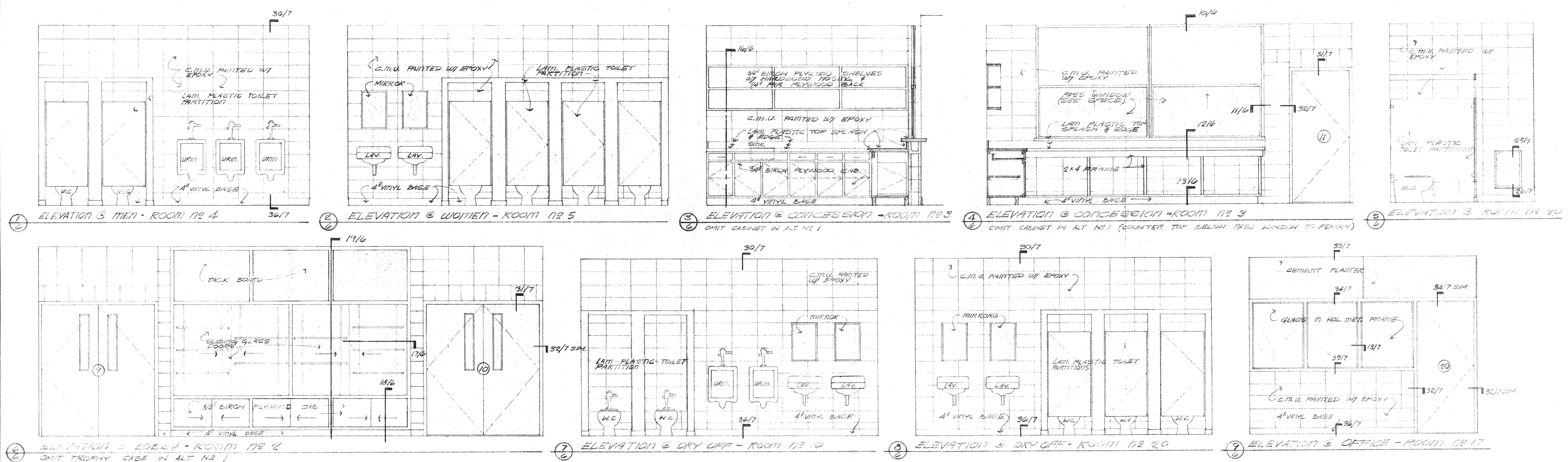


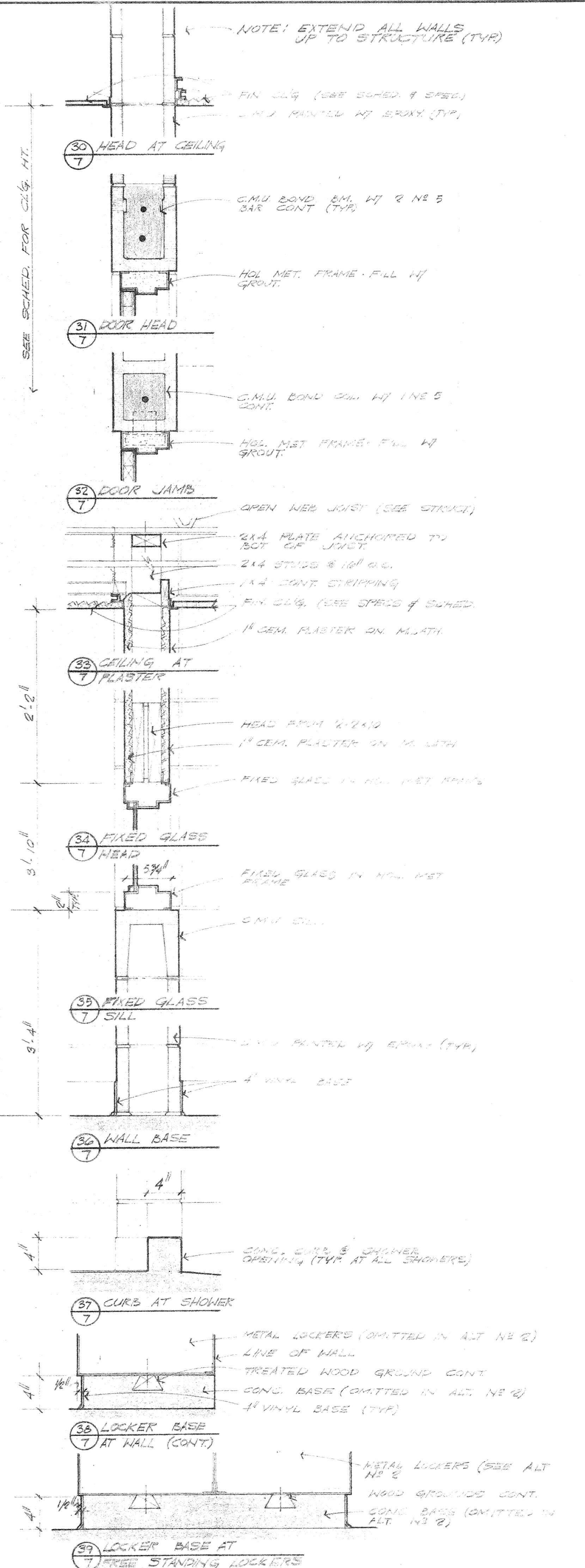
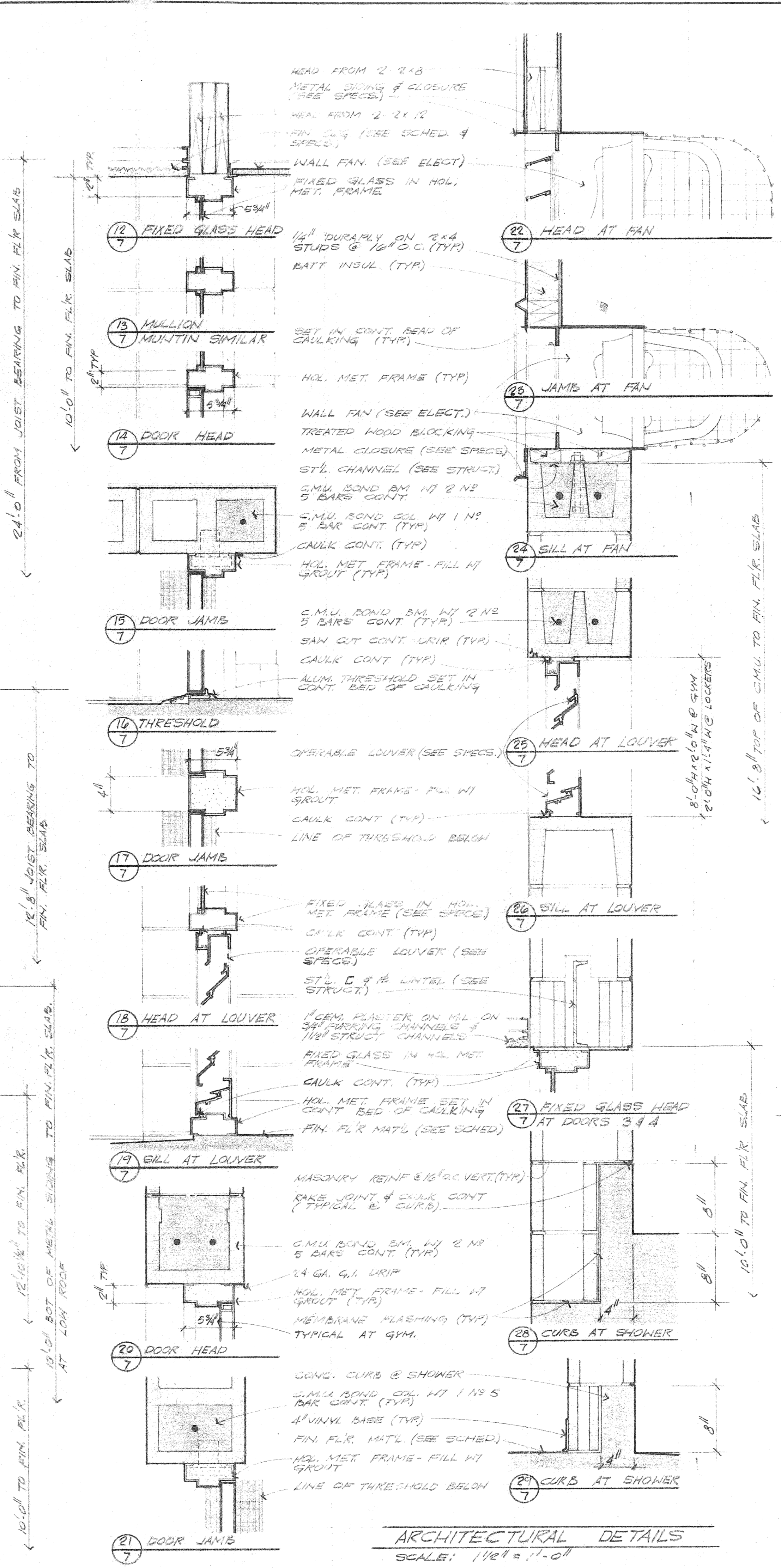
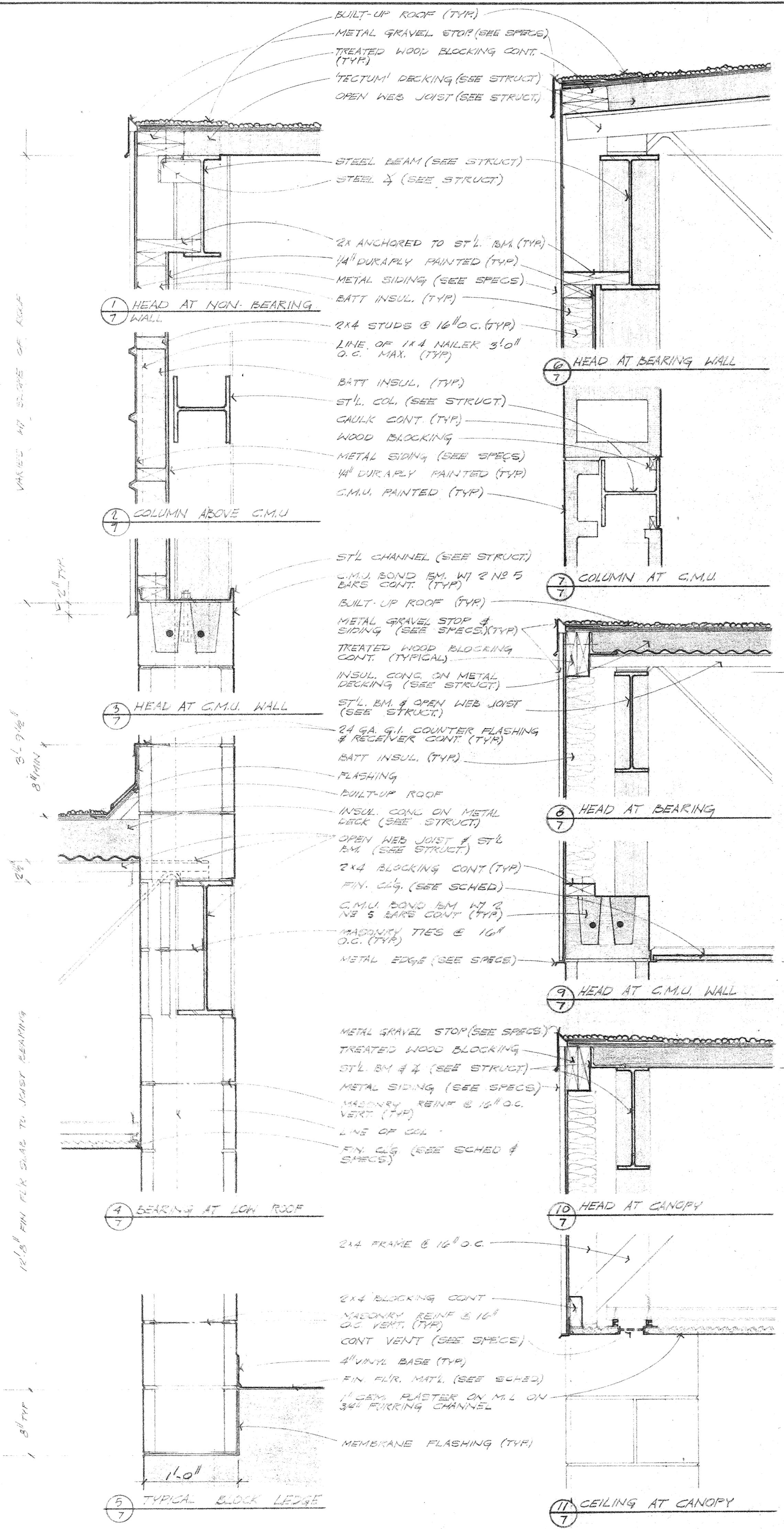
EAST ELEVATION
 SCALE: 1/8" = 1'-0"



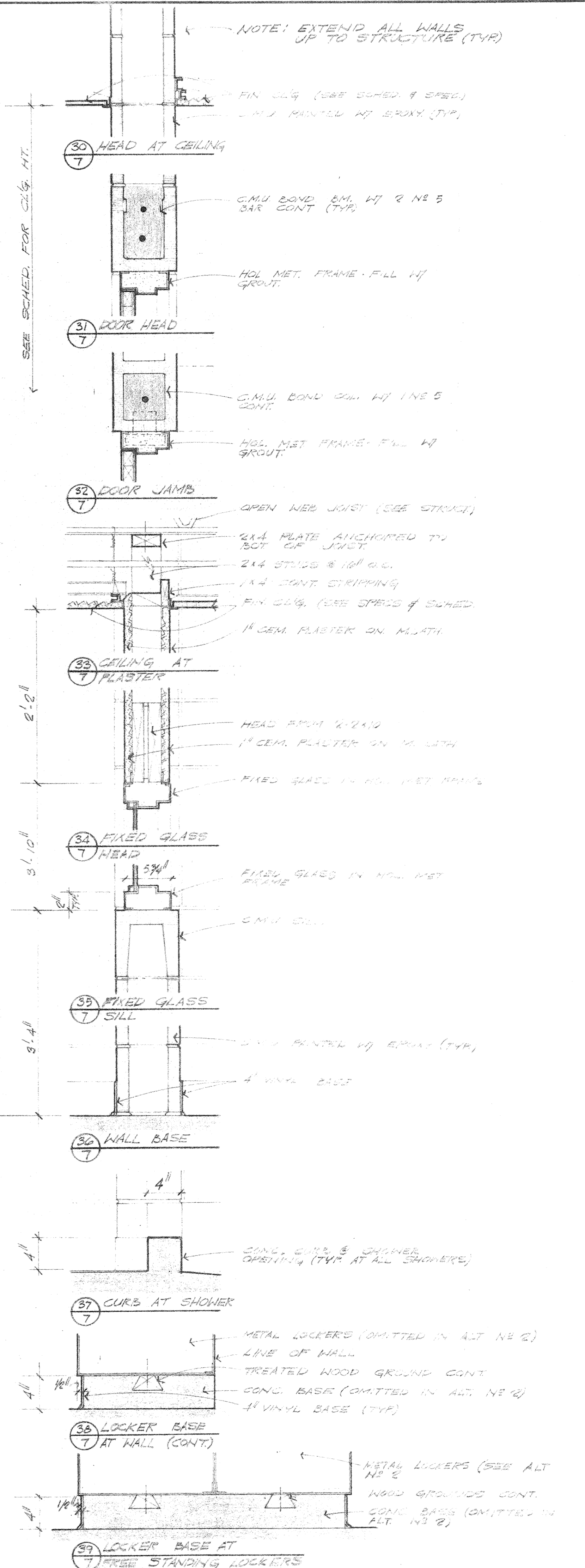
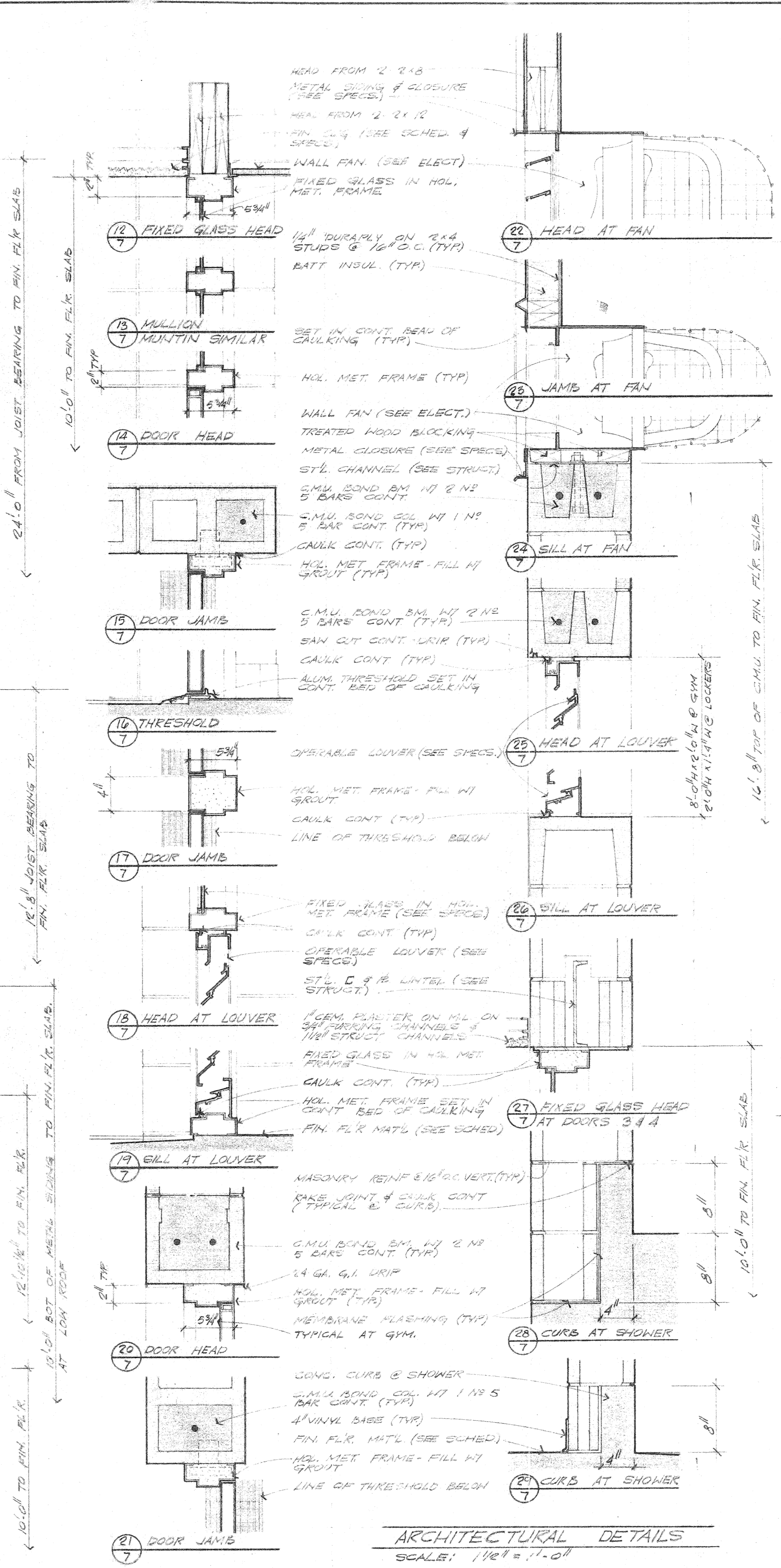
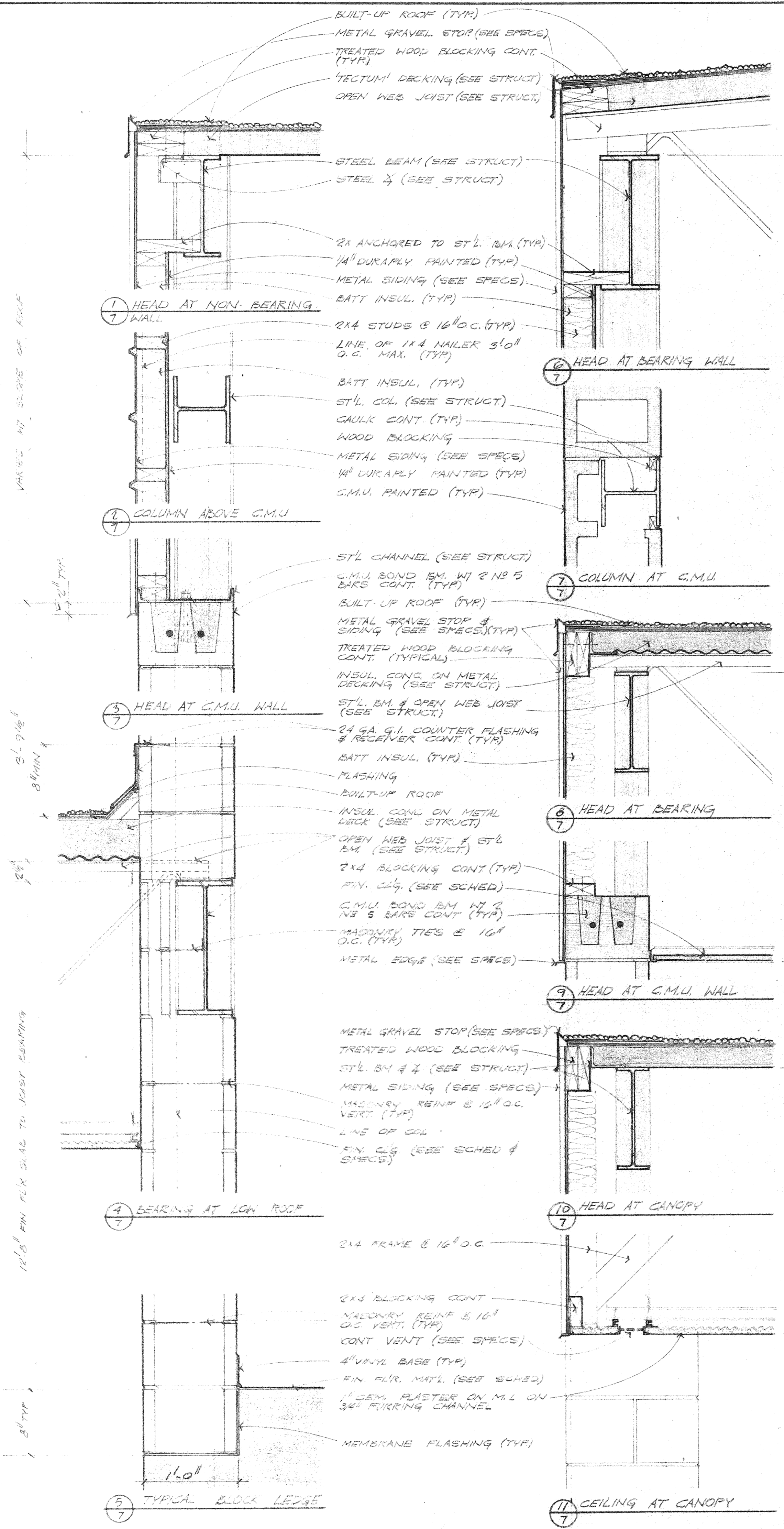
SECTION 5 GYMNASIUM
 SCALE: 1/4" = 1'-0"



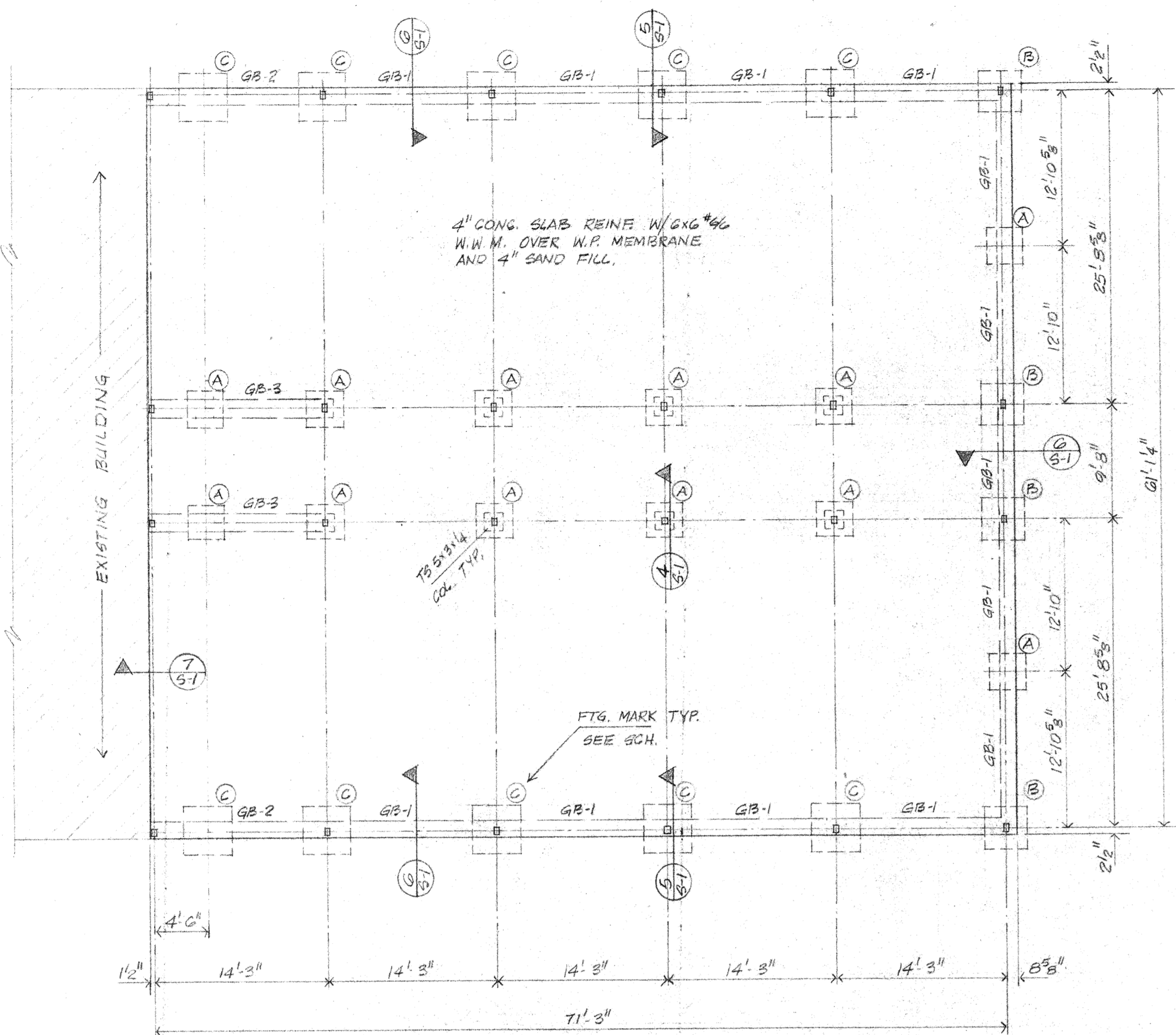




ARCHITECTURAL DETAILS
SCALE: 1/2" = 1'-0"



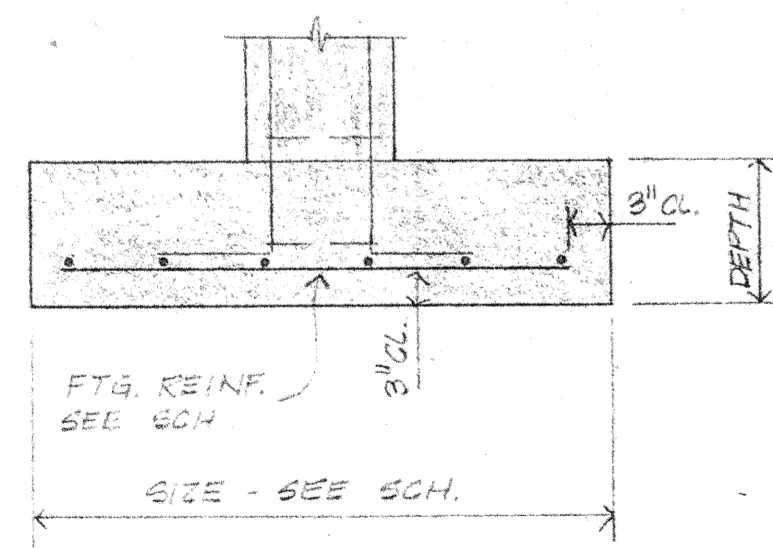
ARCHITECTURAL DETAILS
SCALE: 1/2" = 1'-0"



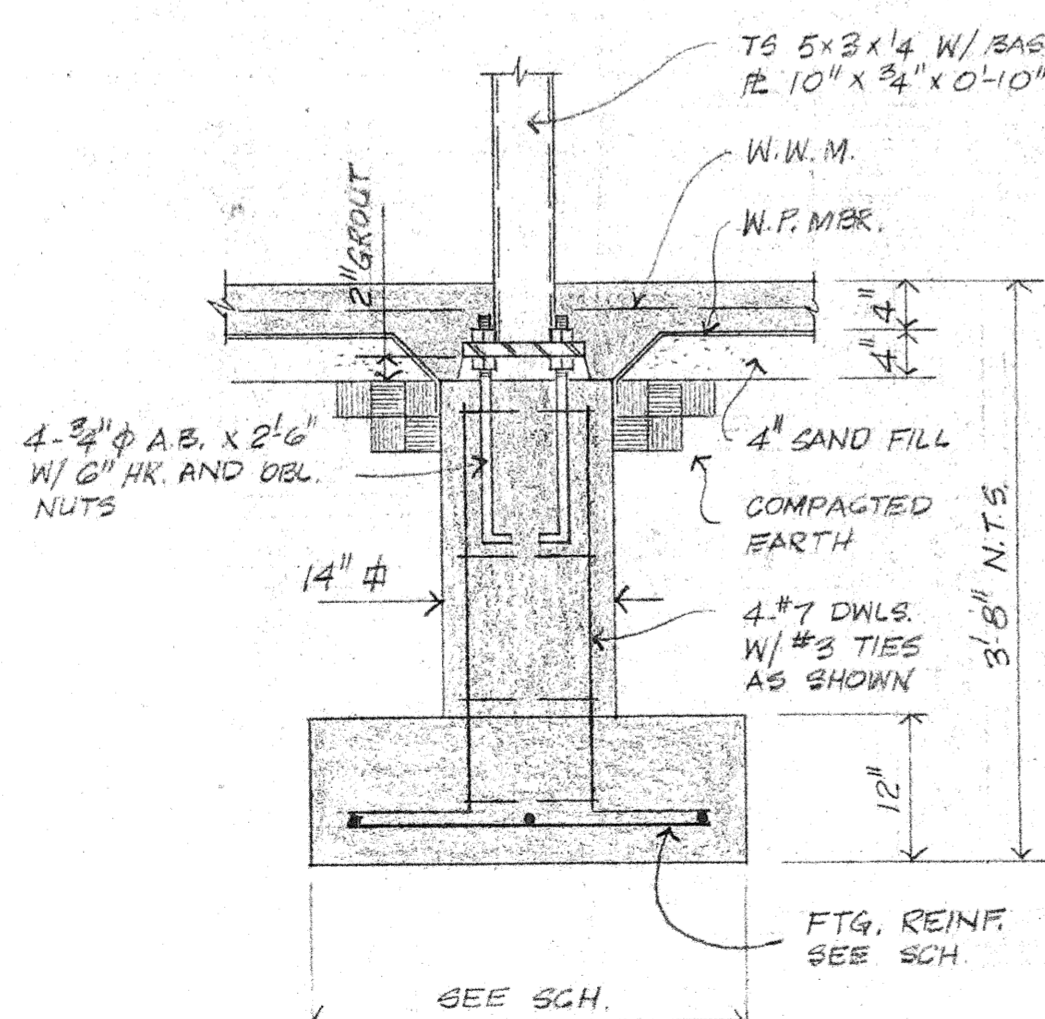
NOTE: SEE ARCH. FOR ALL WALKS ETC. NOT SHOWN ON THIS PLAN.

1 CLASSROOM FOUNDATION PLAN
SCALE: 1/8" = 1'-0"

MARK	DEPTH	SIZE	REINFC
A	12"	3'-0" x 3'-0"	3-#5
B	12"	3'-0" x 2'-6"	2-#5
C	12"	2'-0" x 2'-0"	2-#5

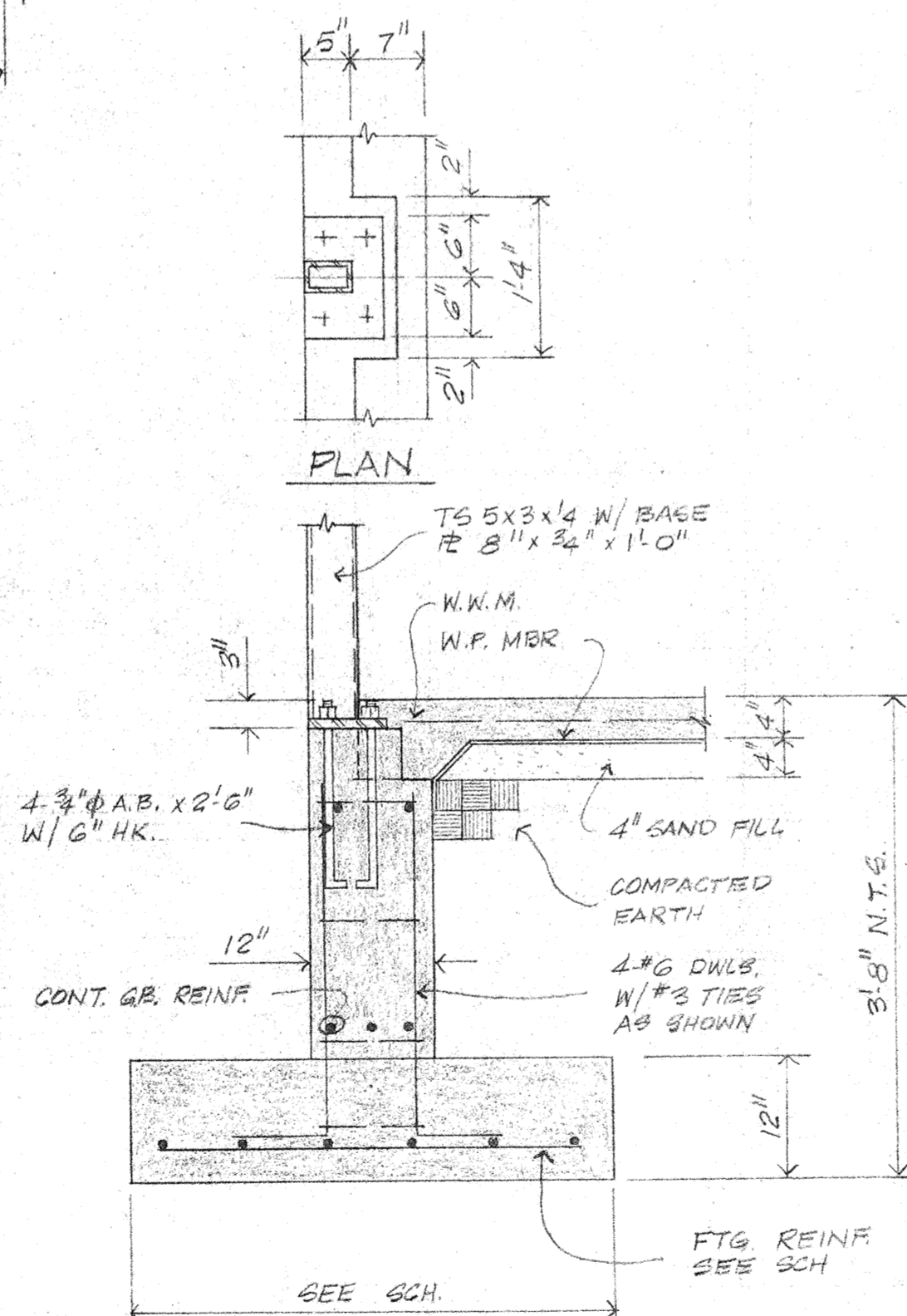


3 TYP. SPREAD FTG. DTL.
N.T.S.
RE: 1-51



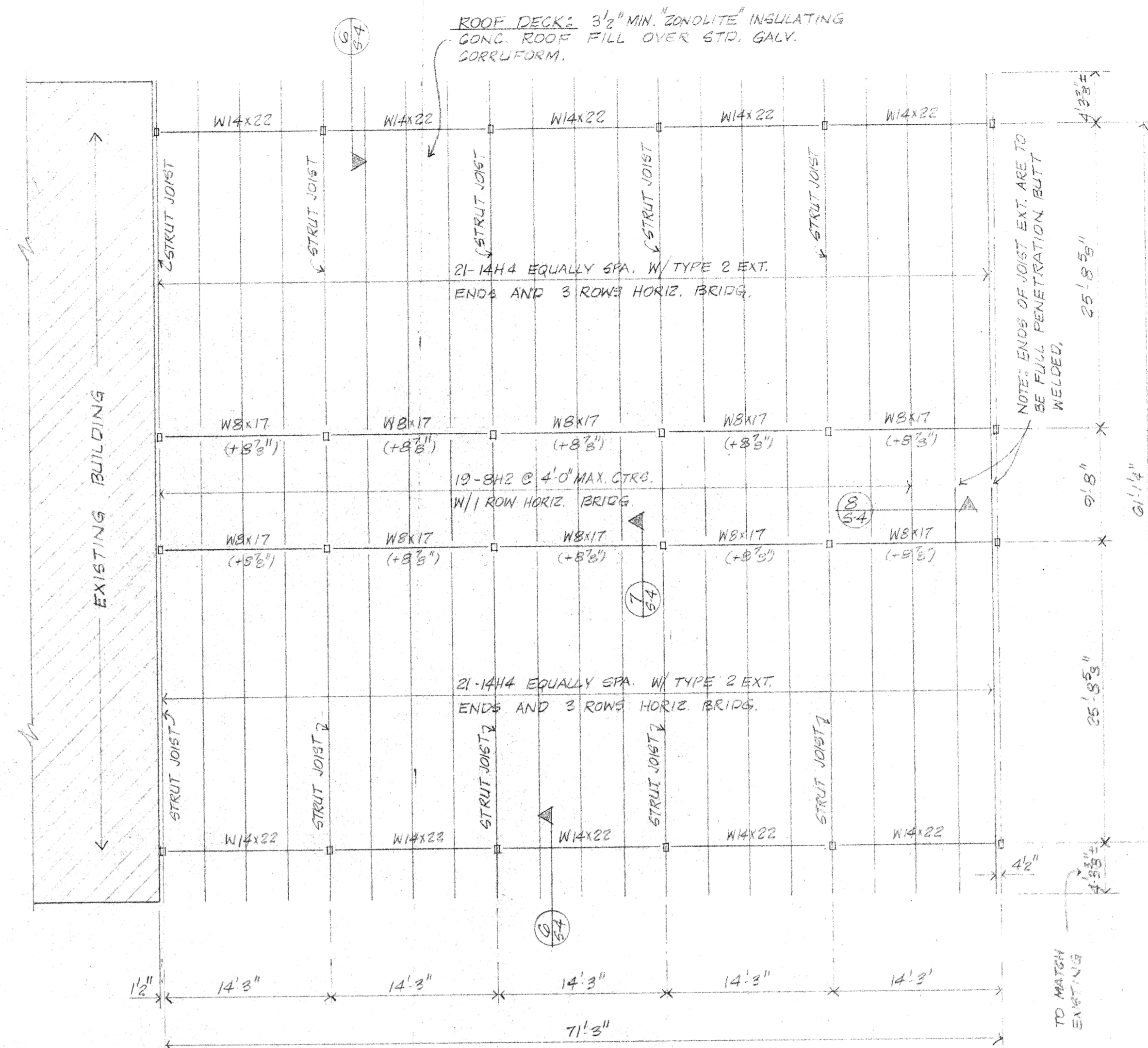
NOTE: ADJ. TO EXIST. BLDG. USE BASE R. 9" x 2 1/2" x 1'-11" W/ 2-#4 @ A.B.

4 SECTION
SCALE: 3/4" = 1'-0"
RE: 1-51



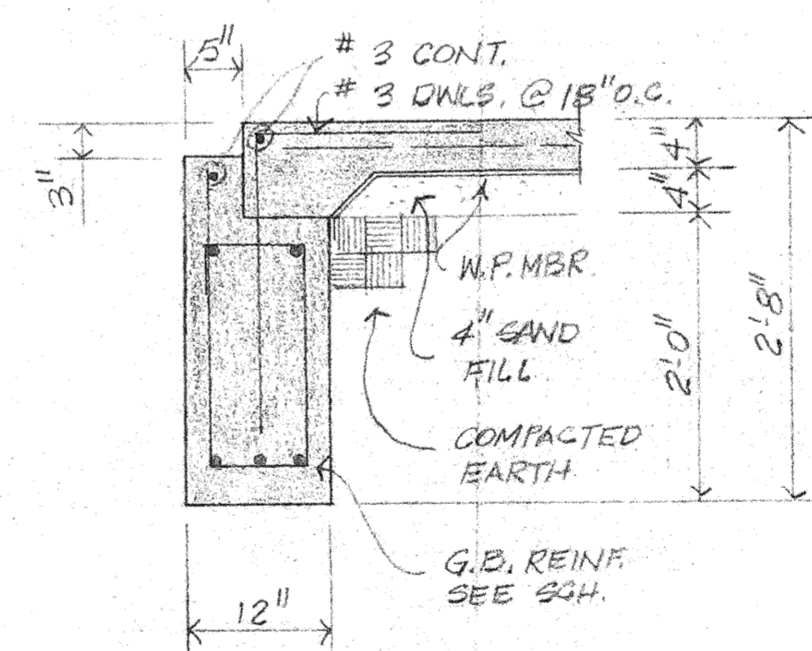
NOTE: ADJ. TO EXIST. BLDG. USE BASE R. 8" x 2 1/2" x 1'-10" W/ 2-#4 @ A.B.

5 SECTION
SCALE: 3/4" = 1'-0"
RE: 1-51

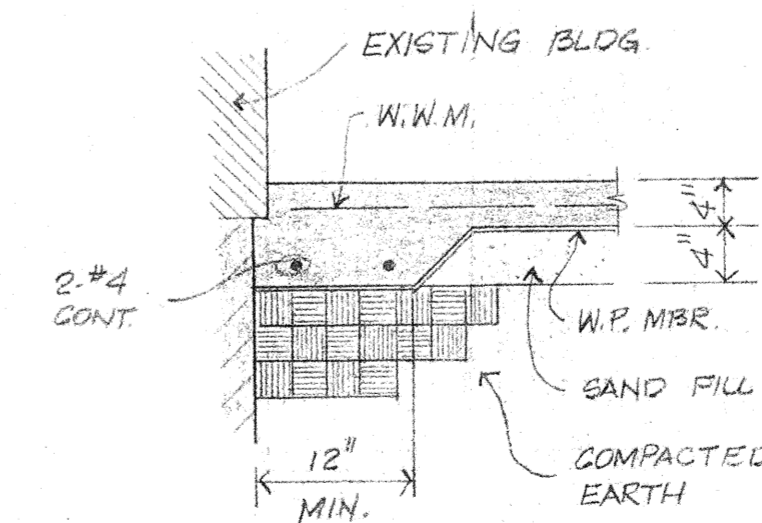


NOTE: STRUT JOISTS ARE JOISTS HAVING A BOT. CHORD THE SAME SIZE AS THE TOP CHORD.

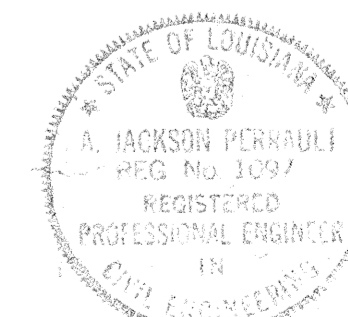
2 CLASSROOM ROOF FRAMING PLAN
SCALE: 1/8" = 1'-0"



6 SECTION
SCALE: 3/4" = 1'-0"
RE: 1-51



7 SECTION
SCALE: 3/4" = 1'-0"
RE: 1-51



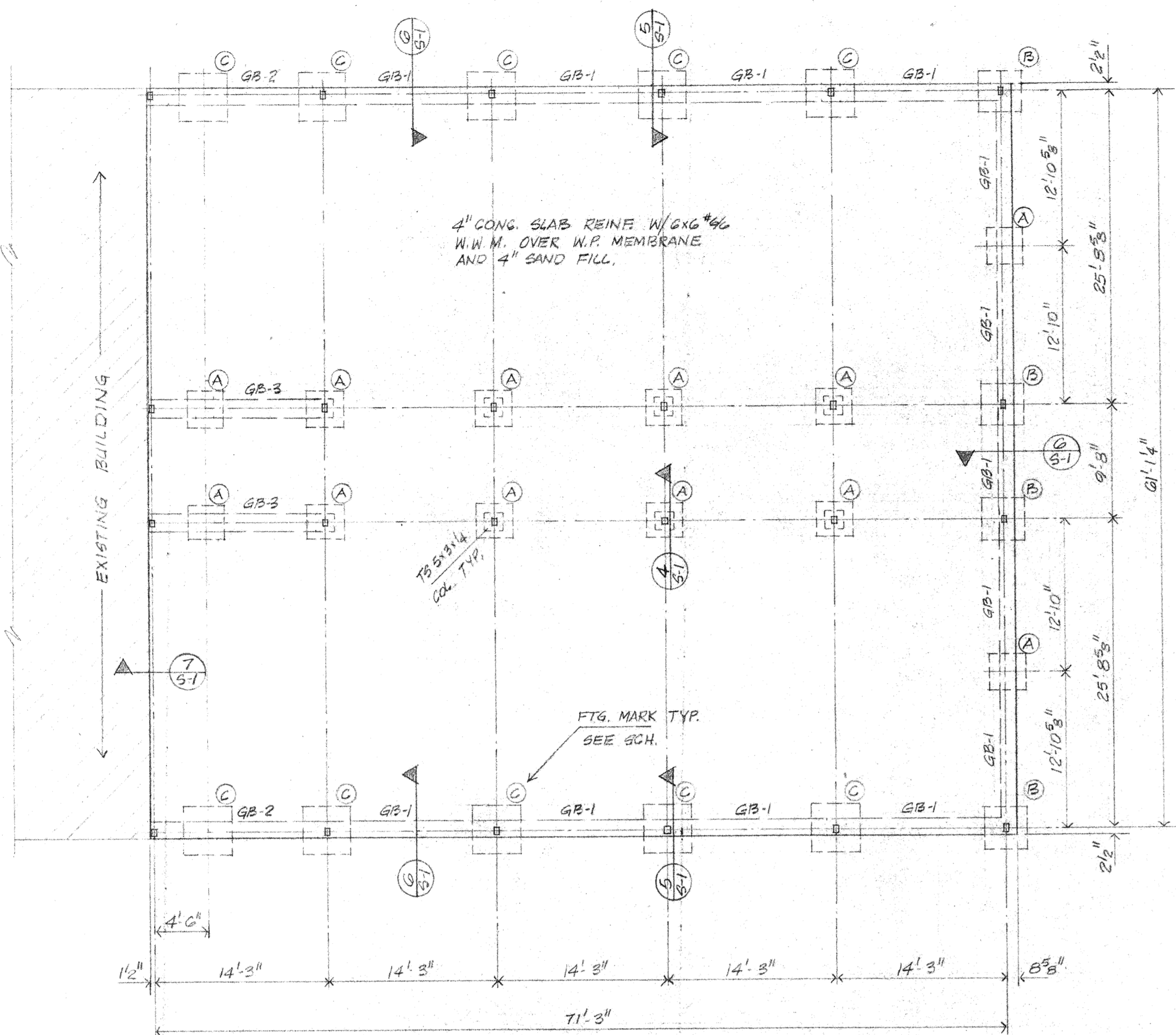
PERRAULT & PERRAULT
CONSULTING ENGINEERS
BATON ROUGE, LOUISIANA

Project no. 5106
drawn
checked
date 2.9.59
revised

HAMILTON, MEYER and ASSOCIATES, INC.
ARCHITECT and ENGINEER

CLASSROOM- FOUNDATION & FRAMING PLAN, FOUNDATION DTLS.
ADDITIONS TO BOYET JUNIOR HIGH SCHOOL
SLIDELL, LOUISIANA
ST. TAMMANY PARISH SCHOOL BOARD, OWNER

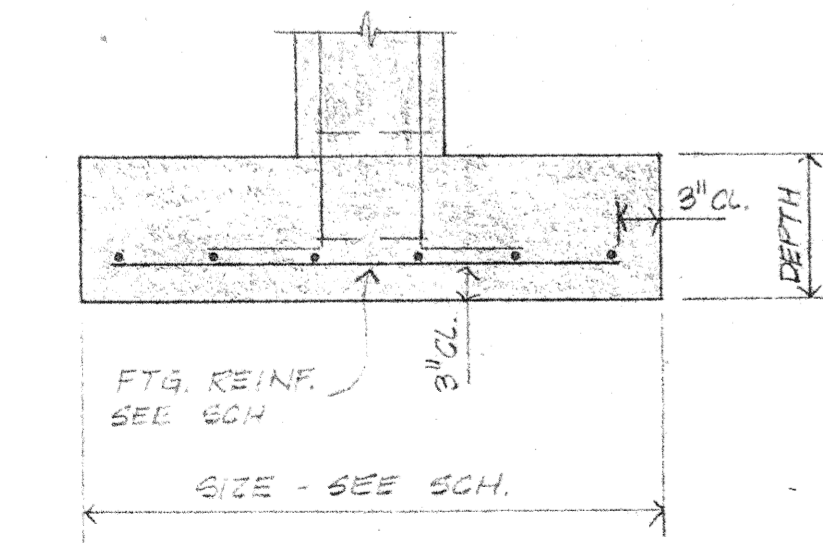
sheet no. 51
of 5 sheets



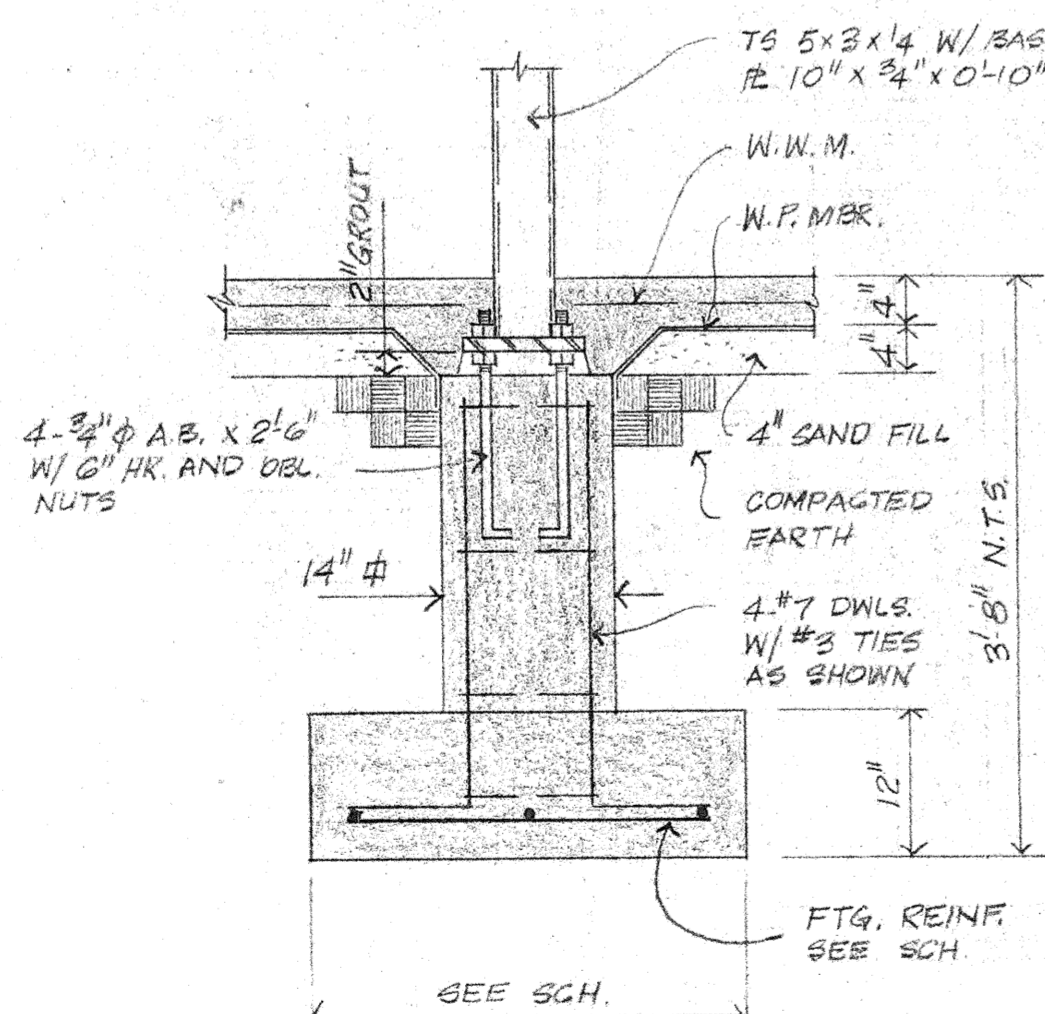
NOTE: SEE ARCH. FOR ALL WALKS ETC. NOT SHOWN ON THIS PLAN.

1 CLASSROOM FOUNDATION PLAN
SCALE: 1/8" = 1'-0"

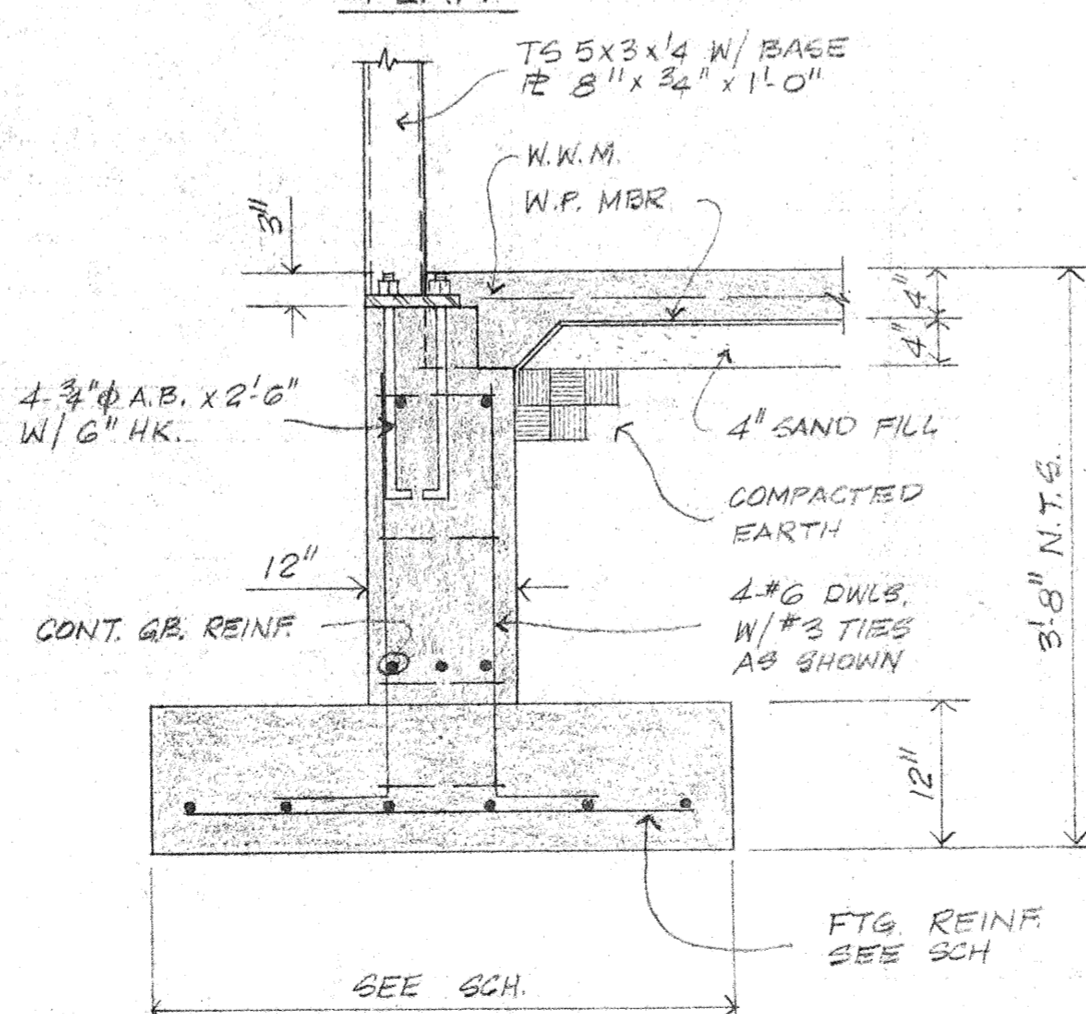
MARK	DEPTH	SIZE	REINF.
A	12"	3'-0" x 3'-0"	3-#5
B	12"	3'-0" x 2'-6"	2-#5
C	12"	2'-0" x 2'-0"	2-#5



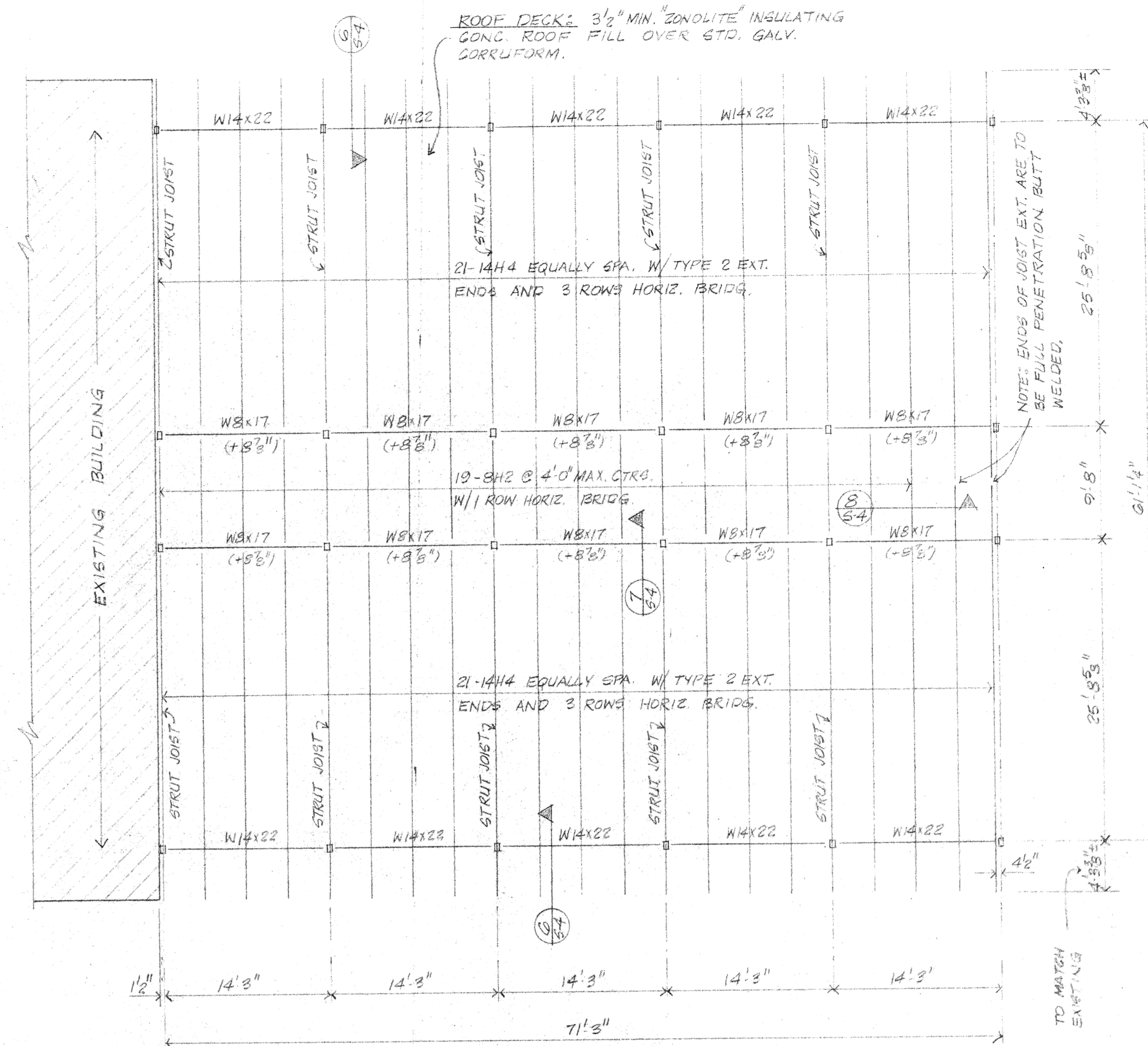
3 TYP. SPREAD FTG. DTL.
N.T.S.
RE: 1-51



4 SECTION
SCALE: 3/4" = 1'-0"
RE: 1-51

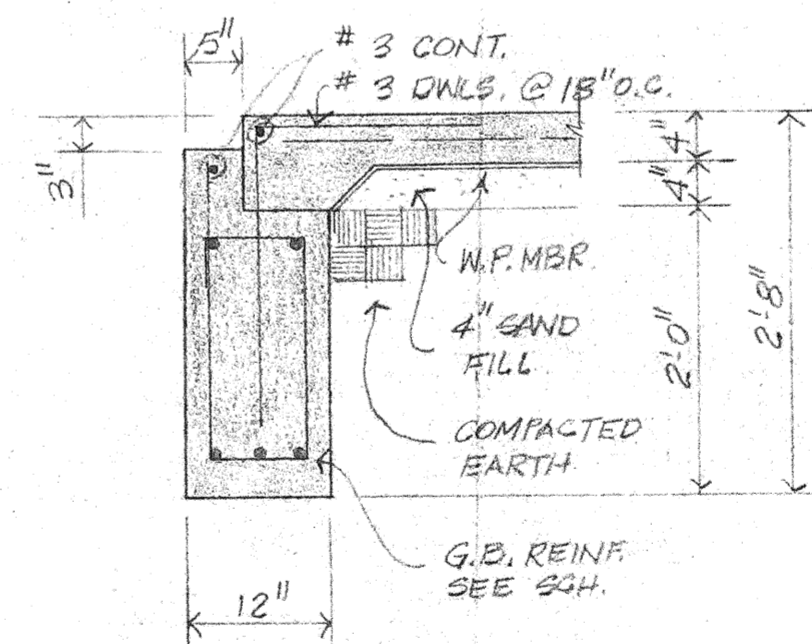


5 SECTION
SCALE: 3/4" = 1'-0"
RE: 1-51

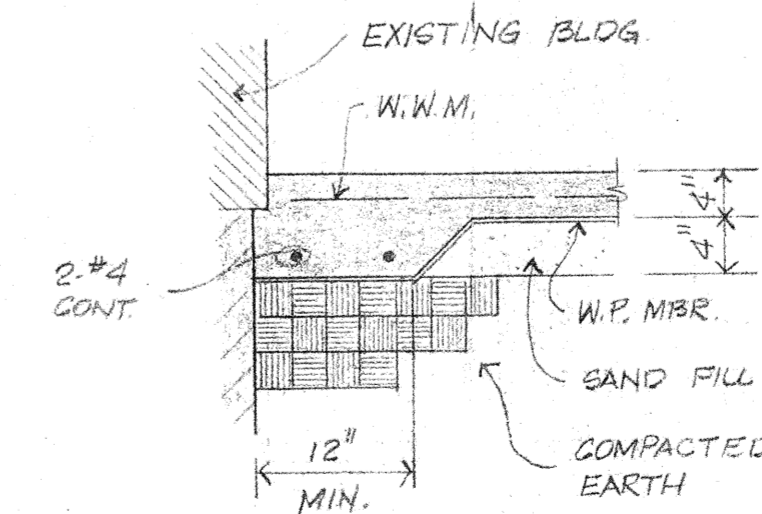


NOTE: STRUT JOISTS ARE JOISTS HAVING A BOT. CHORD THE SAME SIZE AS THE TOP CHORD.

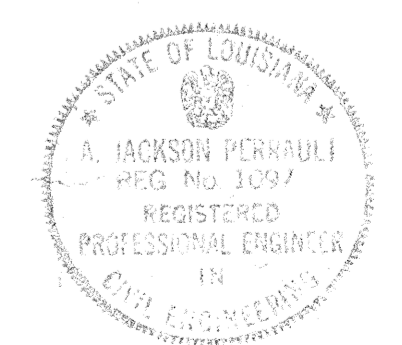
2 CLASSROOM ROOF FRAMING PLAN
SCALE: 1/8" = 1'-0"



6 SECTION
SCALE: 3/4" = 1'-0"
RE: 1-51



7 SECTION
SCALE: 3/4" = 1'-0"
RE: 1-51



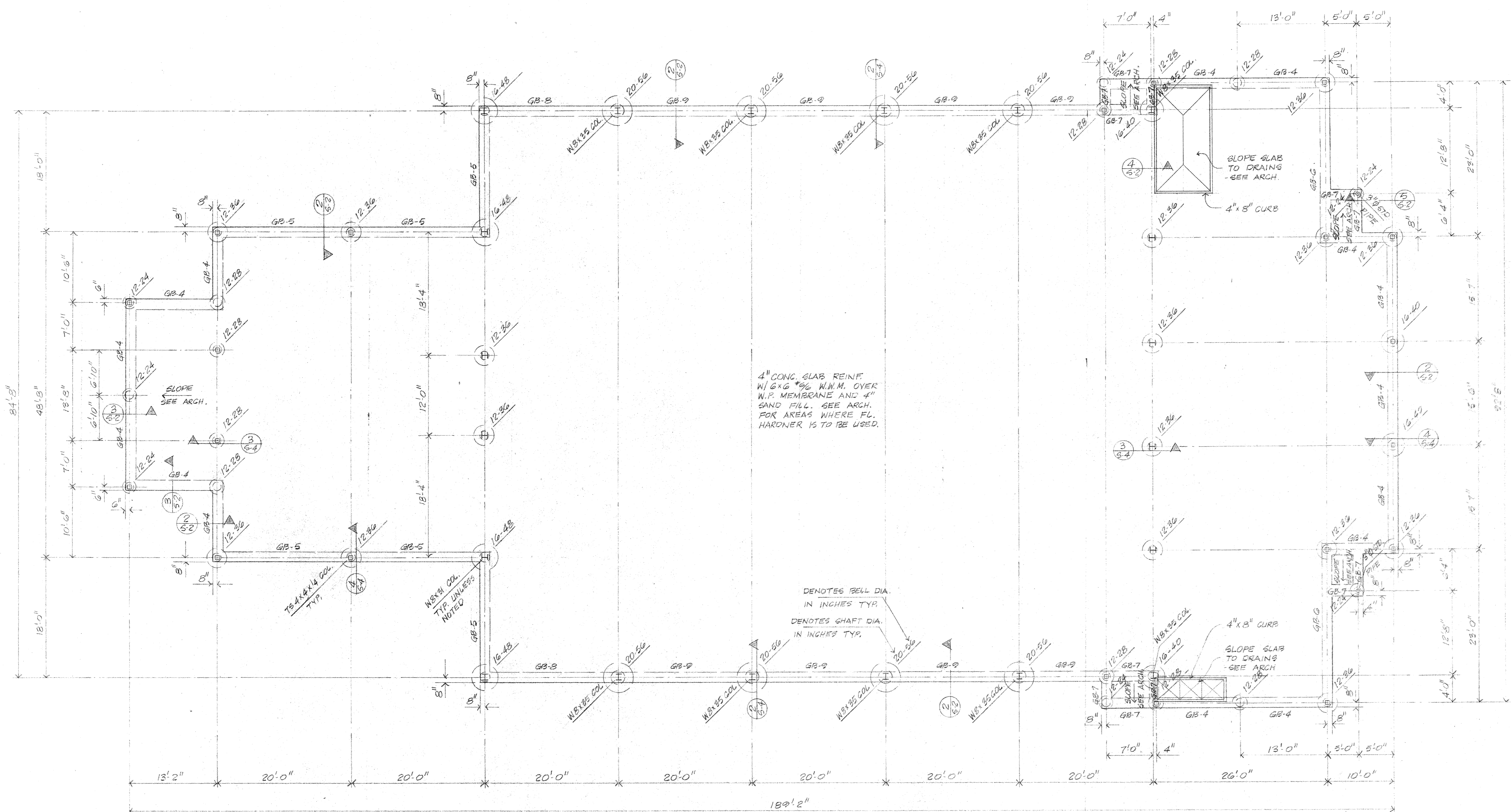
PERRAULT & PERRAULT
CONSULTING ENGINEERS
BATON ROUGE, LOUISIANA

Project no.	E106
Drawn	JLP
Checked	JLP
Date	2.9.73
Revised	

HAMILTON, MEYER and ASSOCIATES, INC.
ARCHITECT and ENGINEER

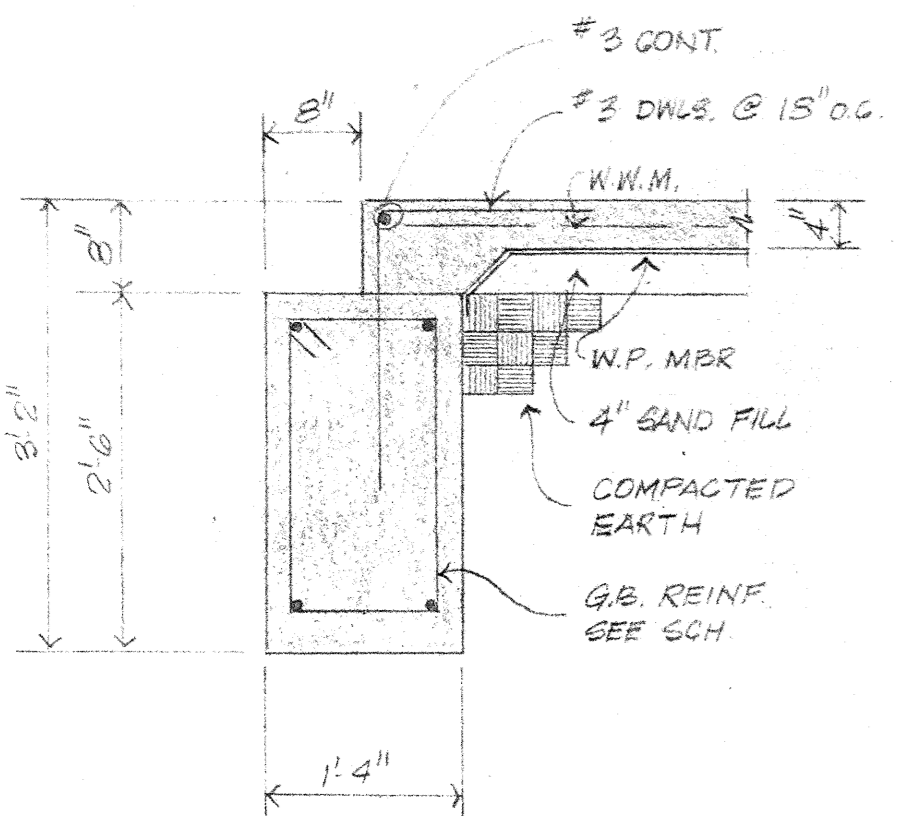
CLASSROOM- FOUNDATION & FRAMING PLAN, FOUNDATION DTLS.
ADDITIONS TO BOYET JUNIOR HIGH SCHOOL
SLIDELL, LOUISIANA
ST. TAMMANY PARISH SCHOOL BOARD, OWNER

sheet no. 51
of 5 sheets

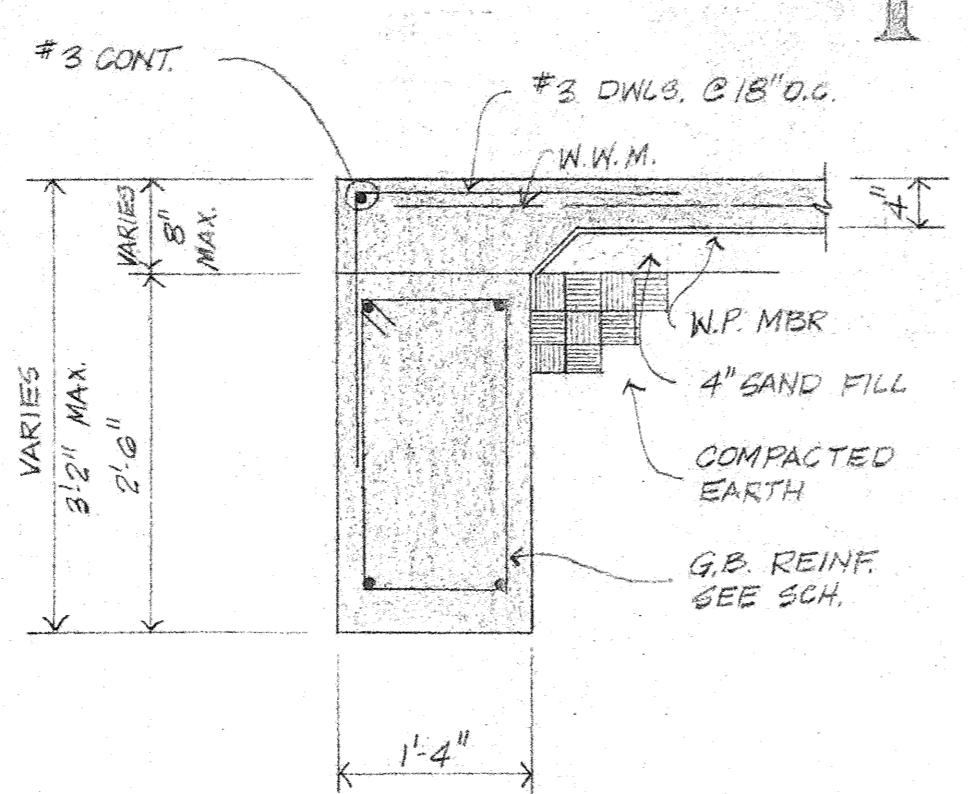


NOTE: SEE ARCH. FOR ALL WALKS, ETC.
 NOT SHOWN ON THIS PLAN

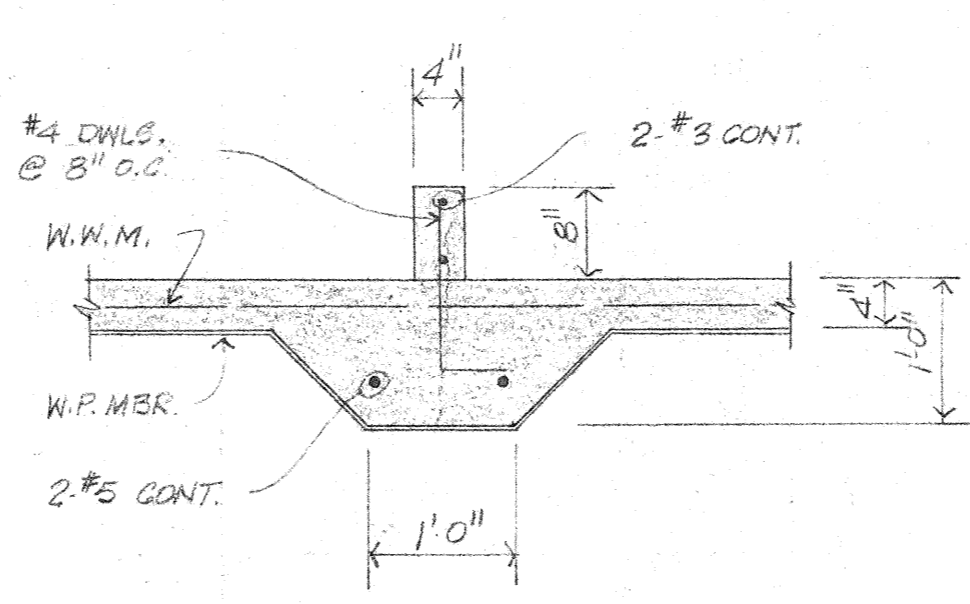
1 FOUNDATION PLAN-GYMNASIUM
 SCALE: 1/8" = 1'-0"



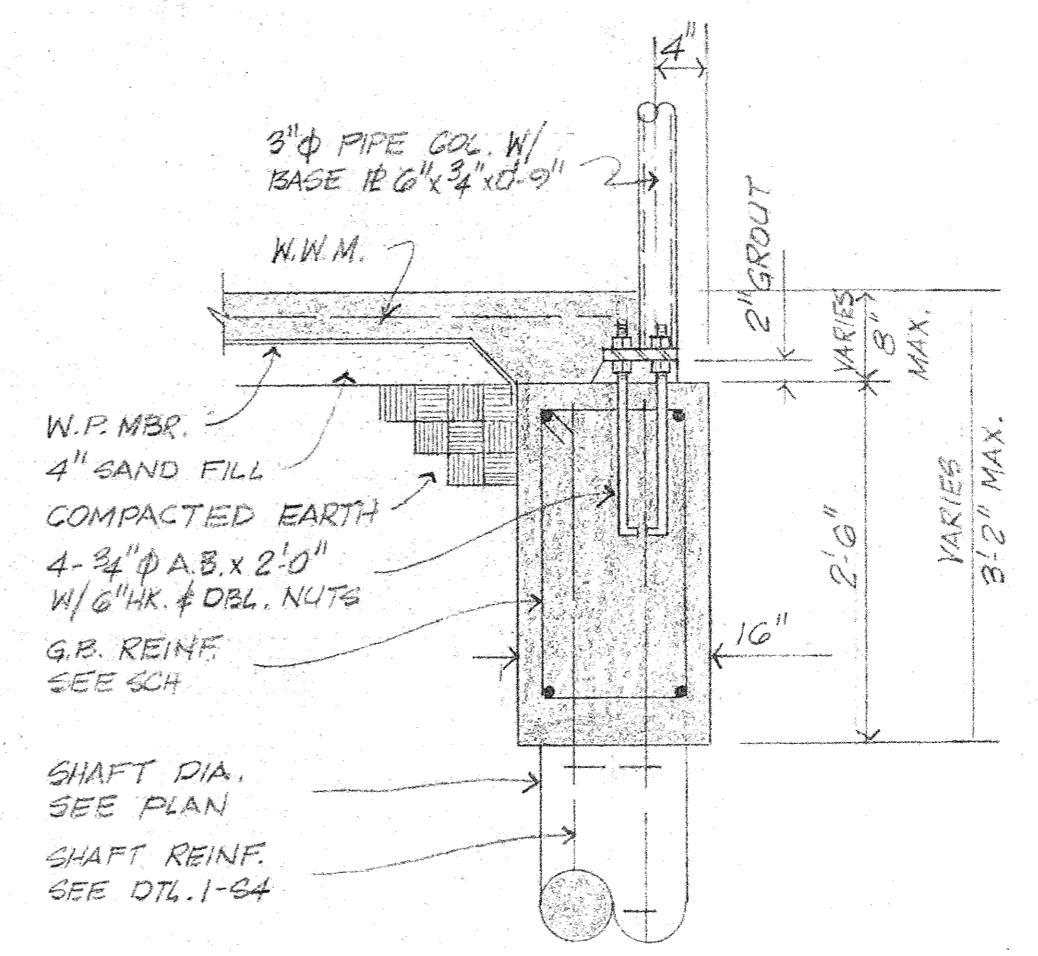
2 SECTION
 SCALE: 3/4" = 1'-0"
 RE: 1-52



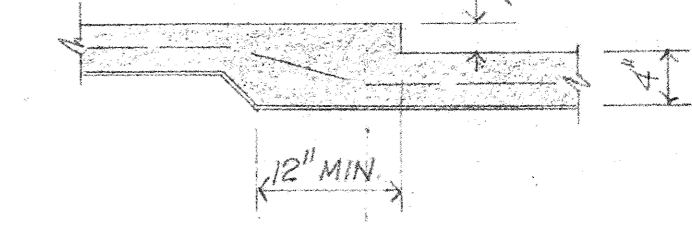
3 SECTION
 SCALE: 3/4" = 1'-0"
 RE: 1-52



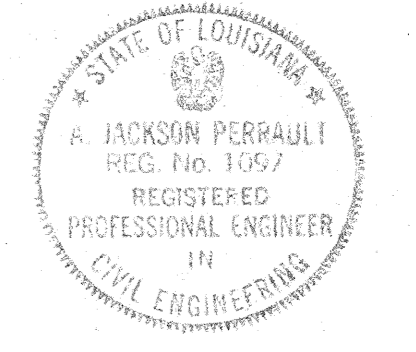
4 SECTION
 SCALE: 3/4" = 1'-0"
 RE: 1-52



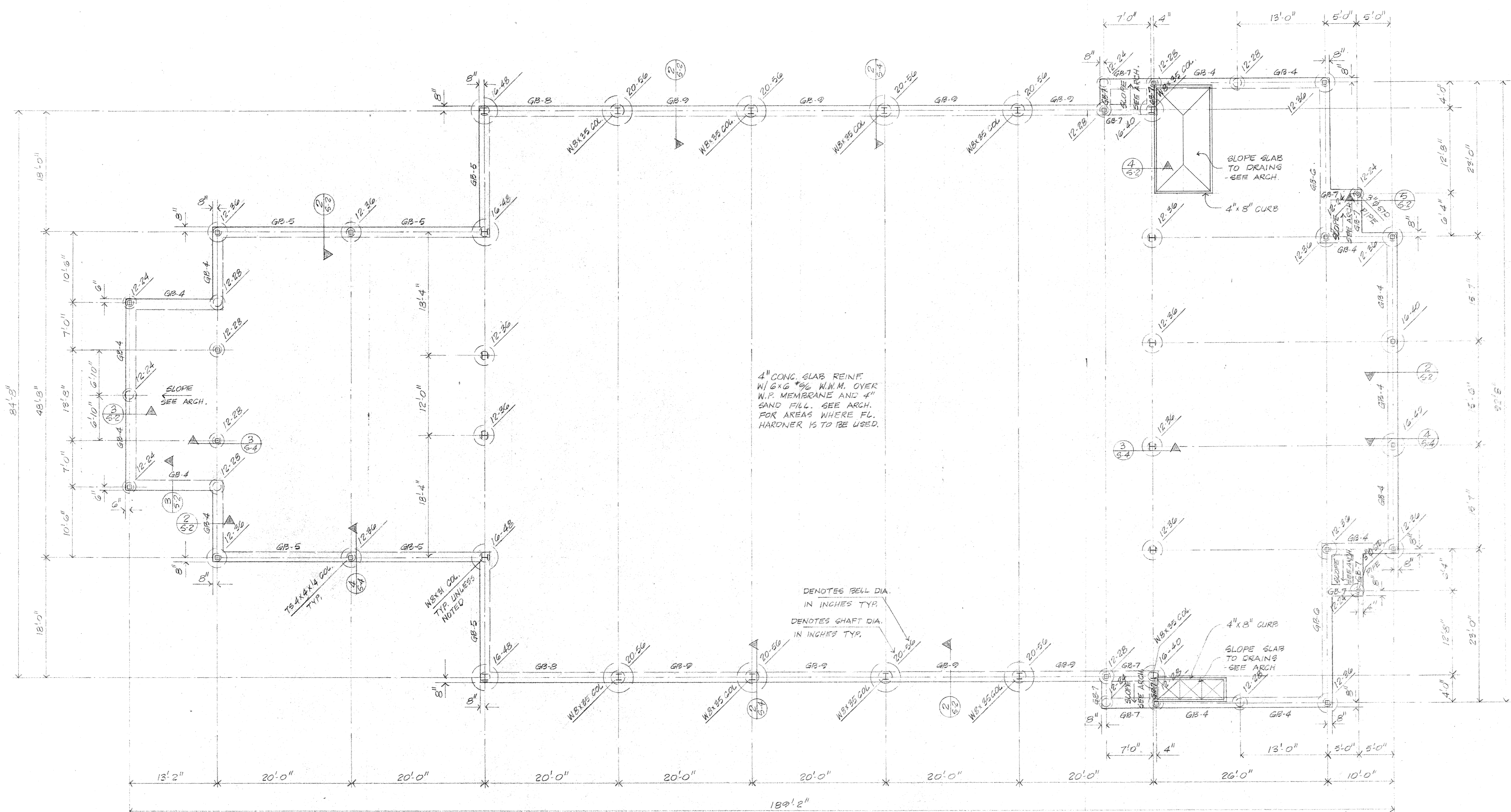
5 SECTION
 SCALE: 3/4" = 1'-0"
 RE: 1-52



6 TYPICAL SLAB DEPRESSION DETAIL
 N.T.S.
 SEE ARCH. FOR LOCATION

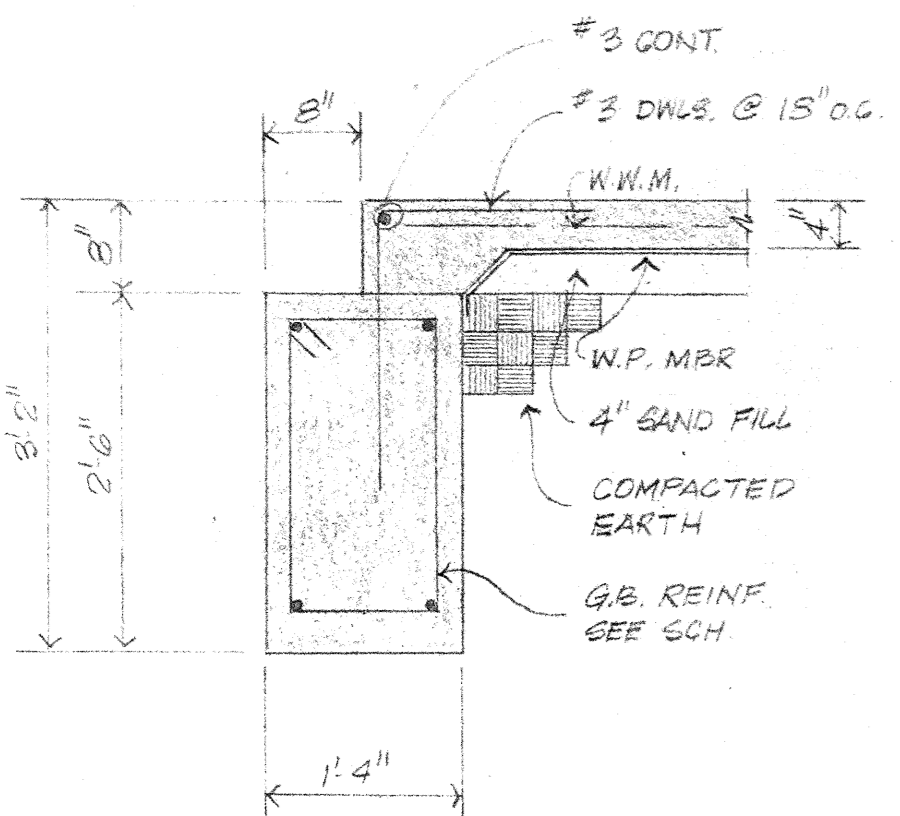


PERRAULT & PERRAULT
 CONSULTING ENGINEERS
 BATON ROUGE, LOUISIANA

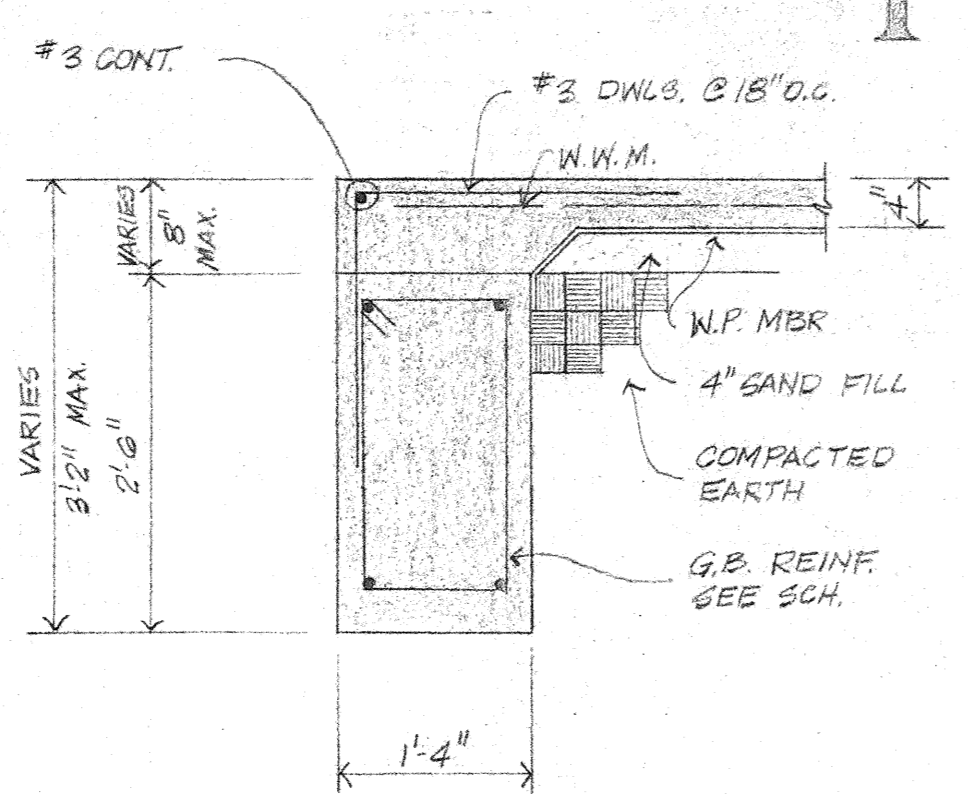


NOTE: SEE ARCH. FOR ALL WALKS, ETC.
 NOT SHOWN ON THIS PLAN

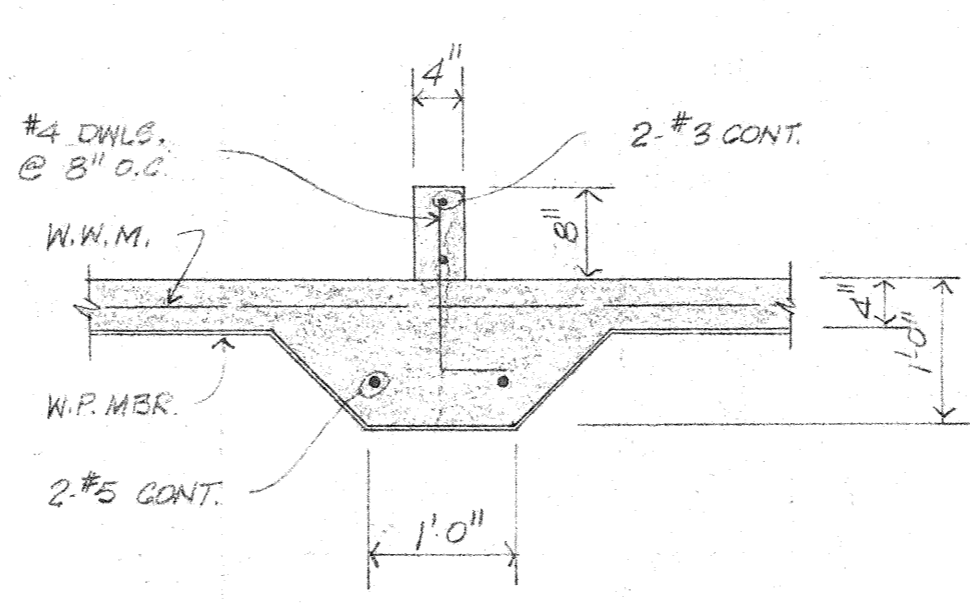
1 FOUNDATION PLAN-GYMNASIUM
 SCALE: 1/8" = 1'-0"



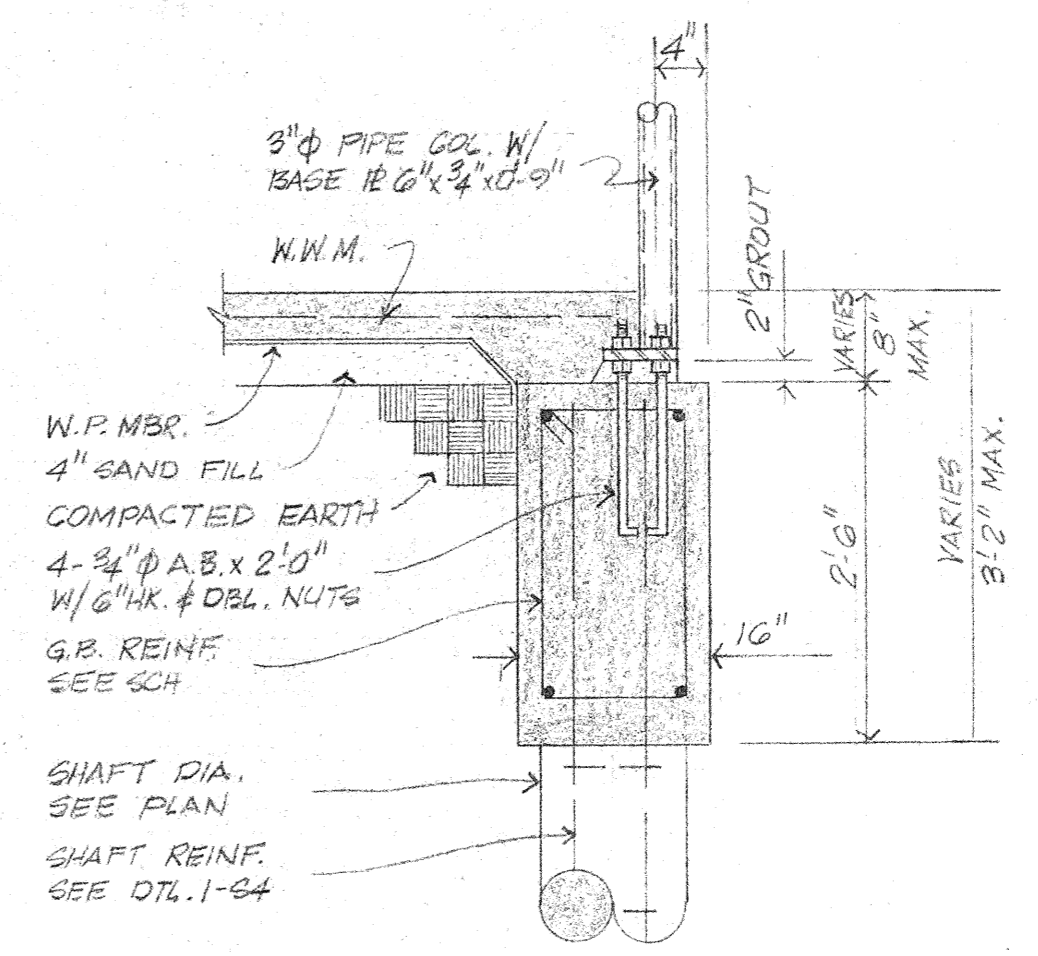
2 SECTION
 SCALE: 3/4" = 1'-0"
 RE: 1-52



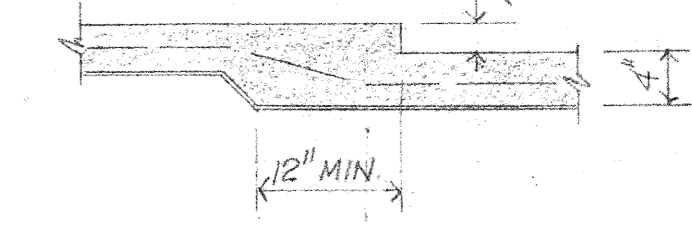
3 SECTION
 SCALE: 3/4" = 1'-0"
 RE: 1-52



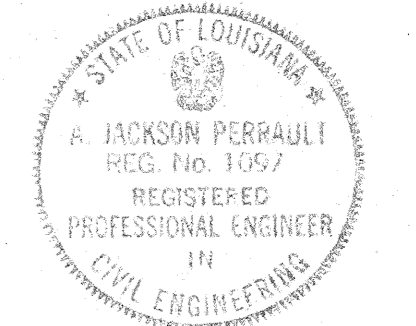
4 SECTION
 SCALE: 3/4" = 1'-0"
 RE: 1-52



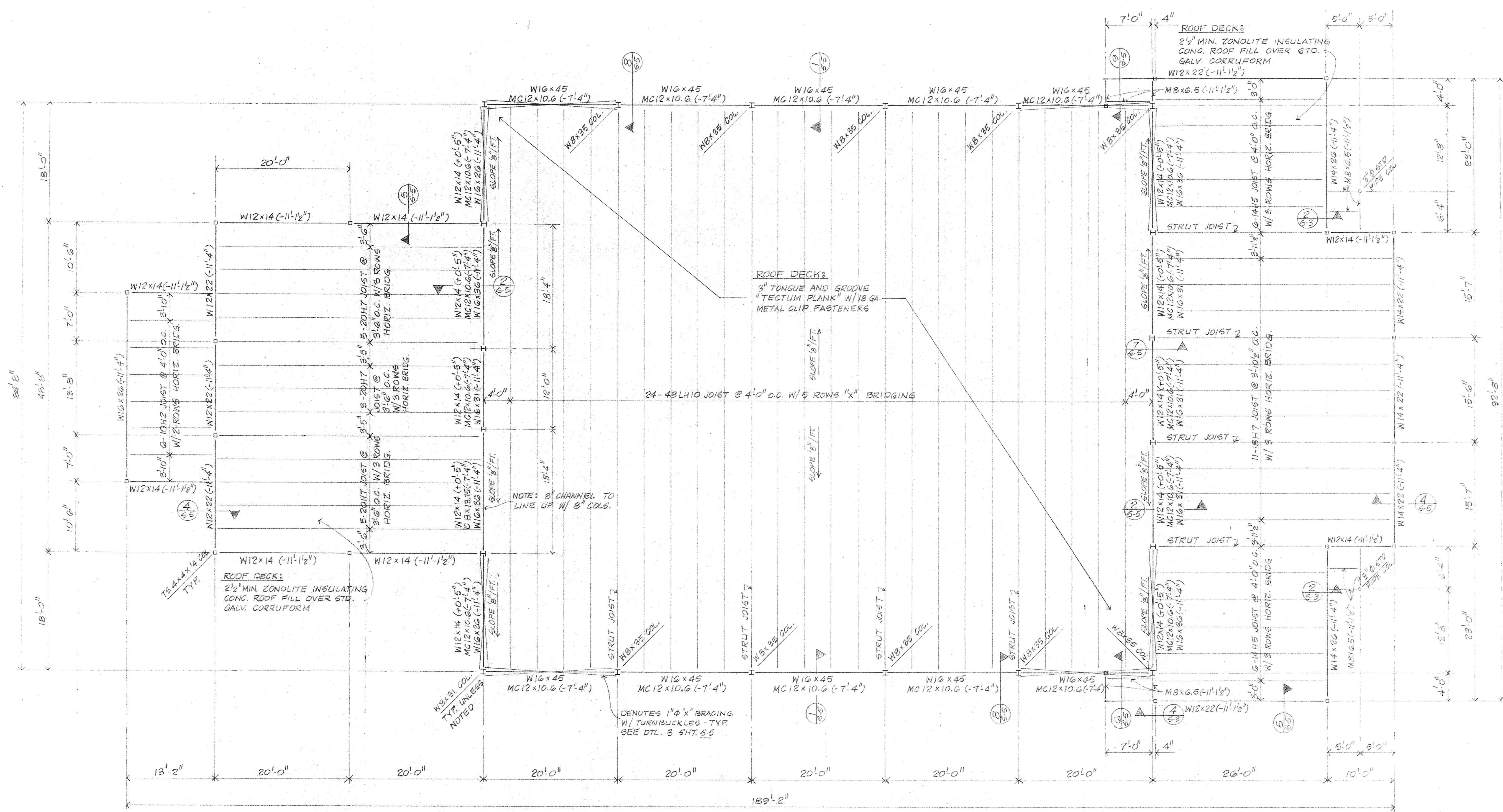
5 SECTION
 SCALE: 3/4" = 1'-0"
 RE: 1-52



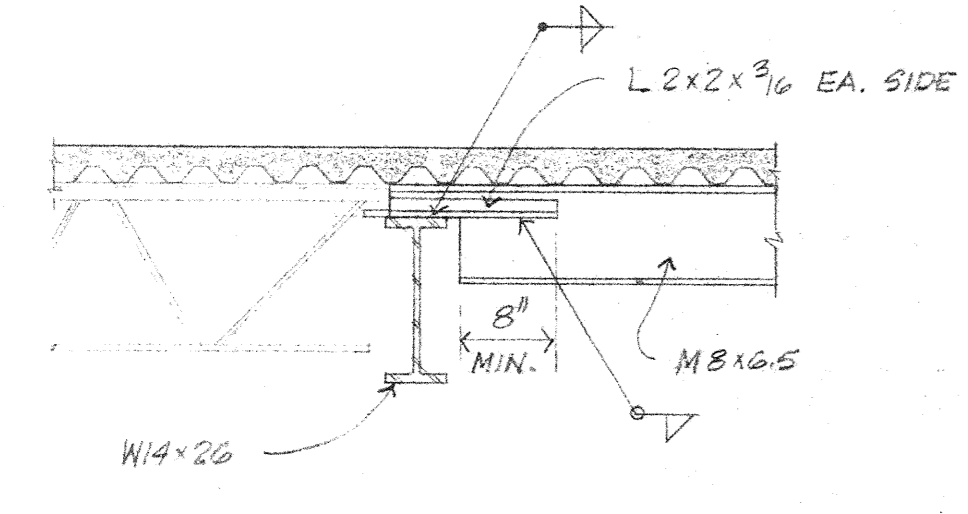
6 TYPICAL SLAB DEPRESSION DETAIL
 N.T.S.
 SEE ARCH. FOR LOCATION



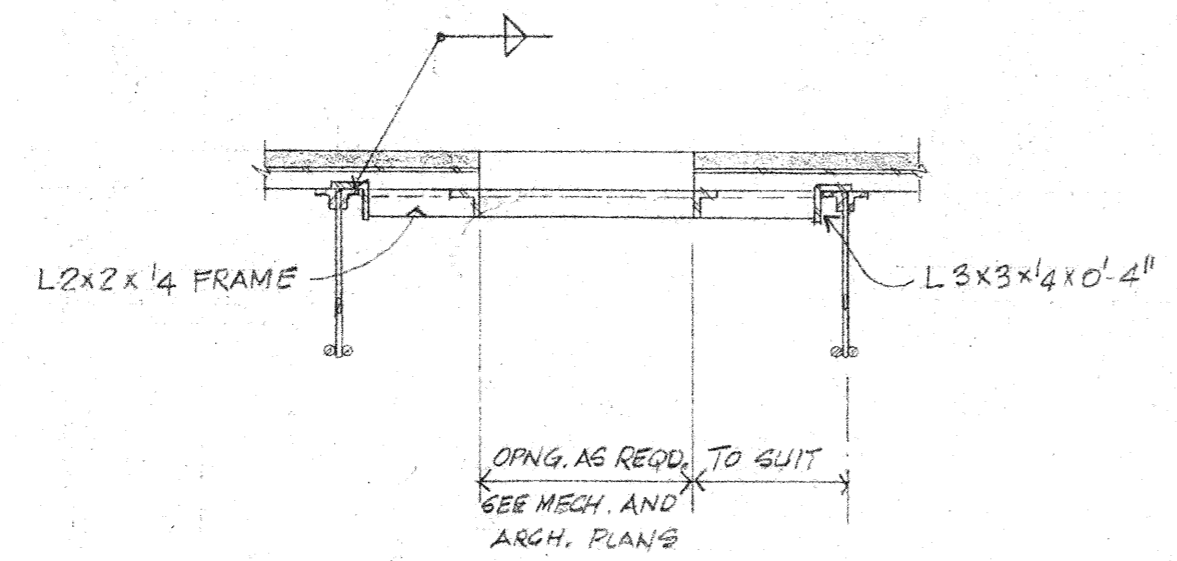
PERRAULT & PERRAULT
 CONSULTING ENGINEERS
 BATON ROUGE, LOUISIANA



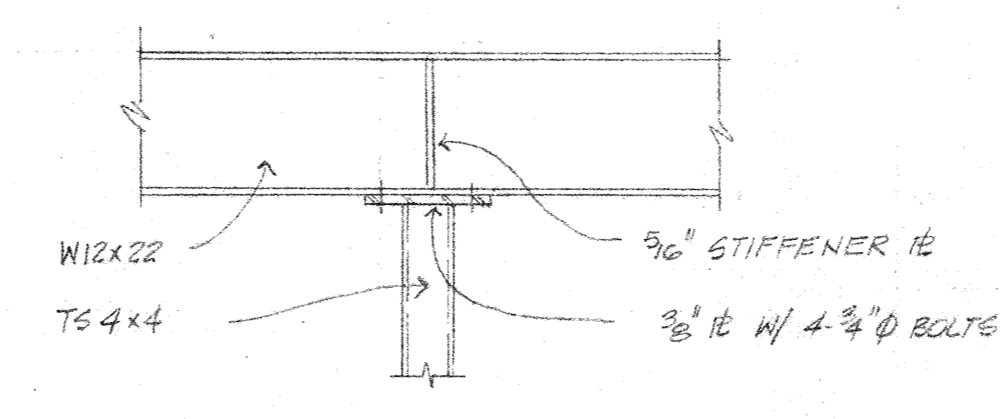
NOTE: STRUT JOISTS ARE JOISTS HAVING A BOT. CHORD THE SAME SIZE AS THE TOP CHORD.
GYMNASIUM ROOF FRAMING PLAN
 1/8" = 1'-0"



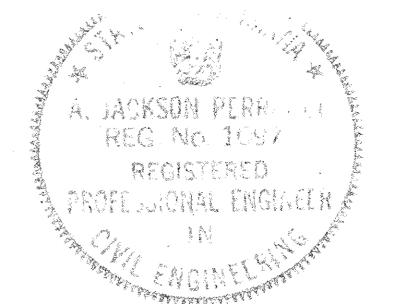
2 SECTION
 SCALE: 3/4" = 1'-0"
 RE: 1-63



3 TYP. ROOF OPNG. DTL.
 N.T.S.
 RE: 2-51, 1-63



4 SECTION
 SCALE: 3/4" = 1'-0"
 RE: 1-63



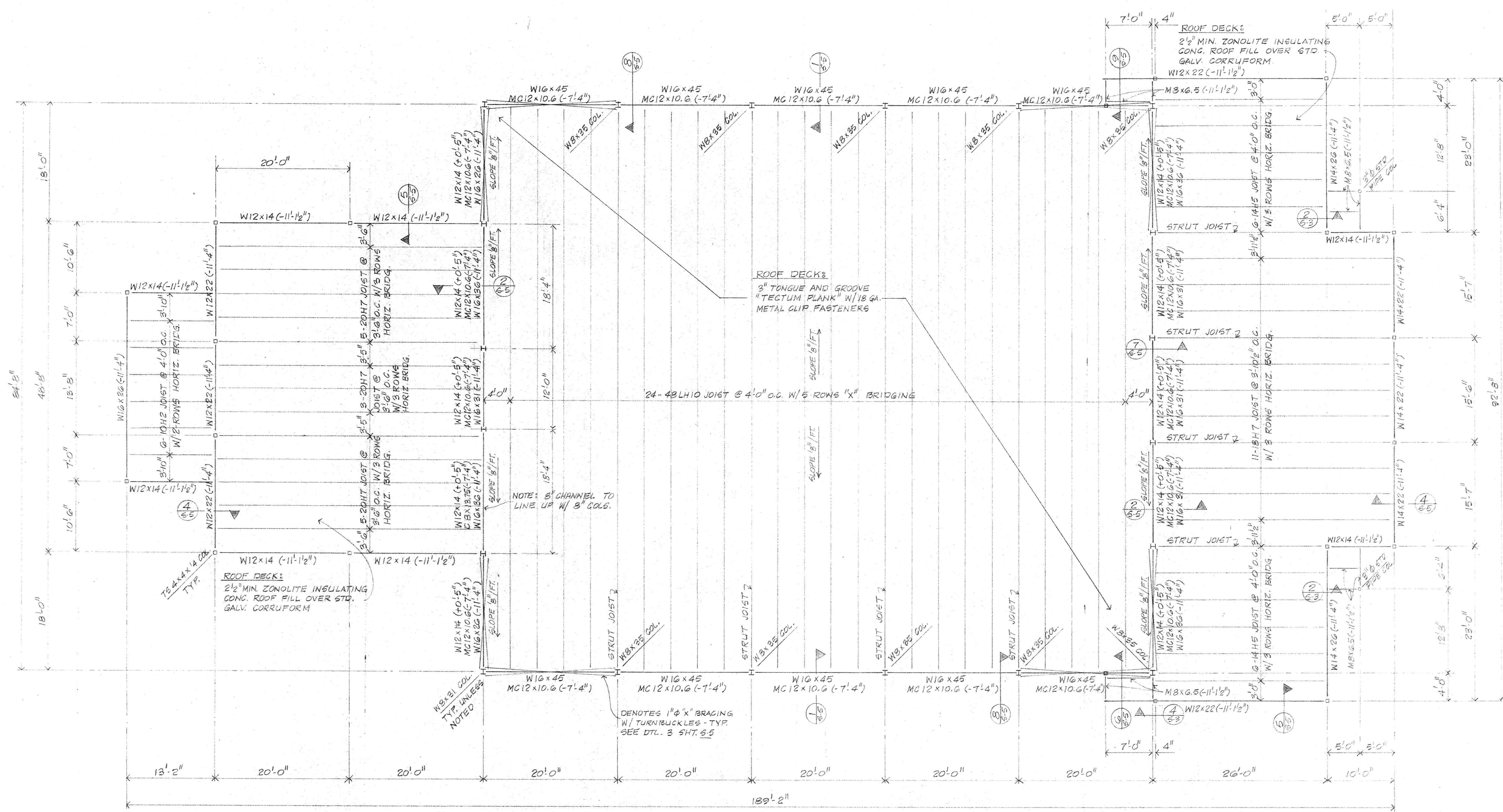
PERRAULT & PERRAULT
 CONSULTING ENGINEERS
 BATON ROUGE, LOUISIANA

Project no.	5-23
Drawn	...
Checked	...
Date	5-7-63
Revised	...

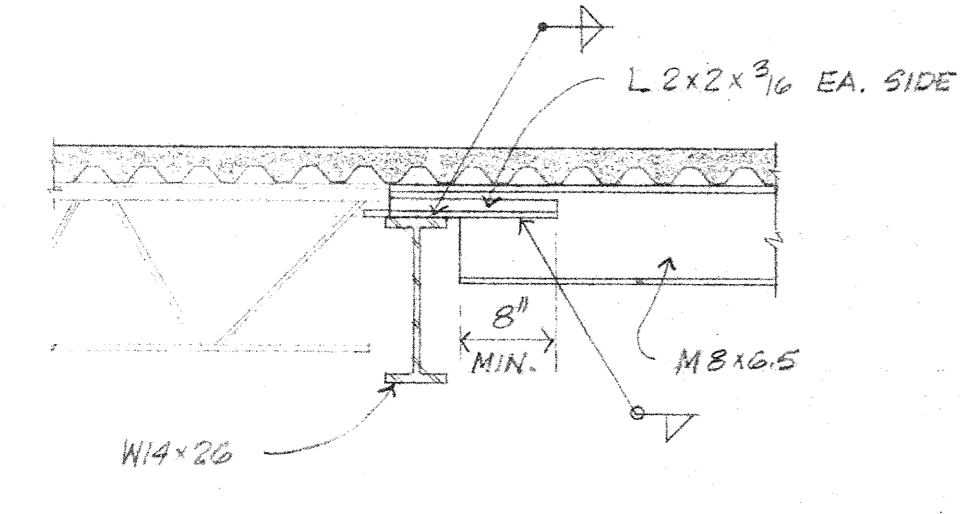
HAMILTON, MEYER and ASSOCIATES, INC.
 ARCHITECT and ENGINEER

GYMNASIUM - FRAMING PLAN, DETAILS
ADDITIONS TO BOYET JUNIOR HIGH SCHOOL
 SLIDELL, LOUISIANA
 ST. TAMMANY PARISH SCHOOL BOARD, OWNER

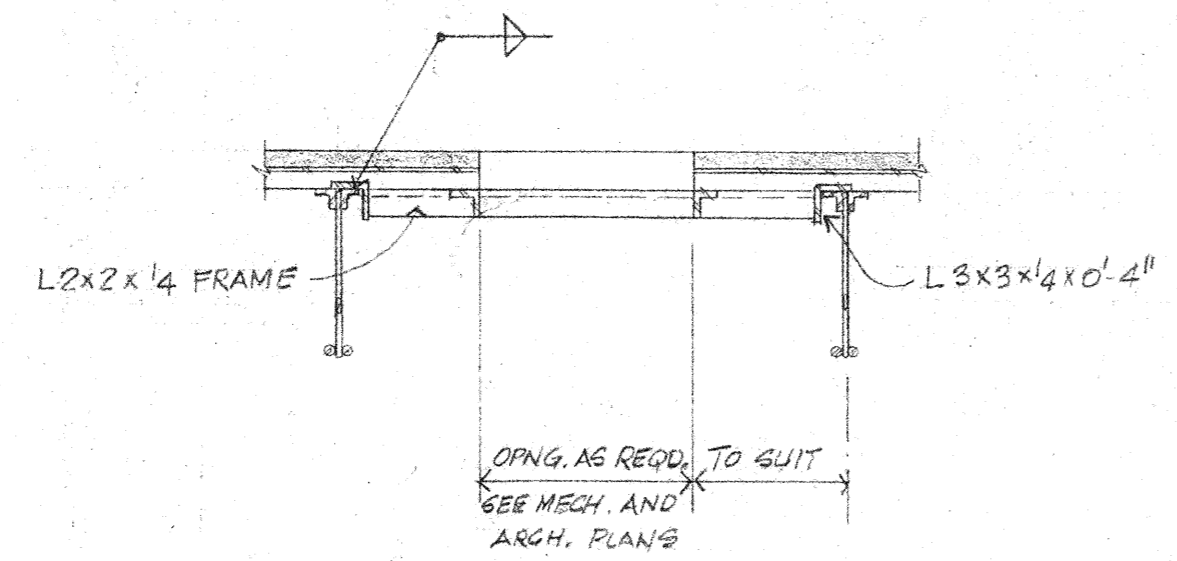
sheet no.
5-3
 of sheets



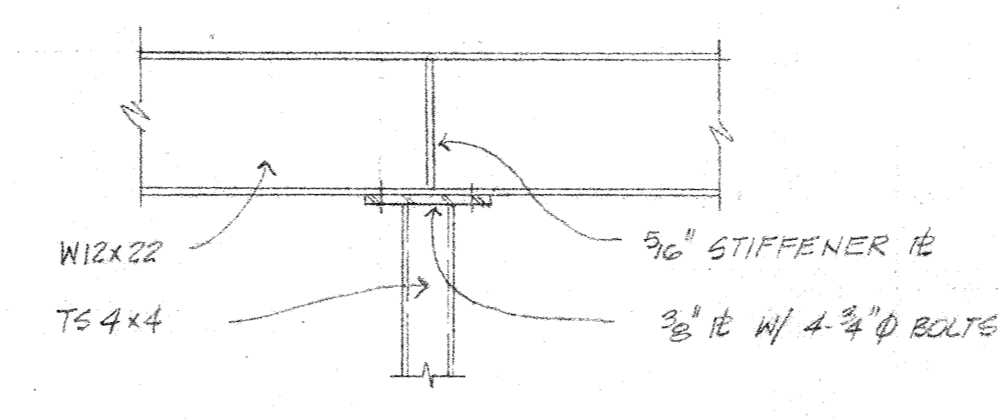
NOTE: STRUT JOISTS ARE JOISTS HAVING A BOT. CHORD THE SAME SIZE AS THE TOP CHORD.
GYMNASIUM ROOF FRAMING PLAN
 1/8" = 1'-0"



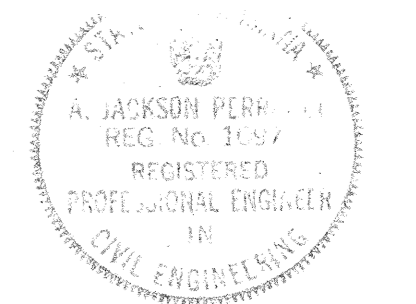
2 SECTION
 SCALE: 3/4" = 1'-0"
 RE: 1-63



3 TYP. ROOF OPNG. DTL.
 N.T.S.
 RE: 2-51, 1-63



4 SECTION
 SCALE: 3/4" = 1'-0"
 RE: 1-63



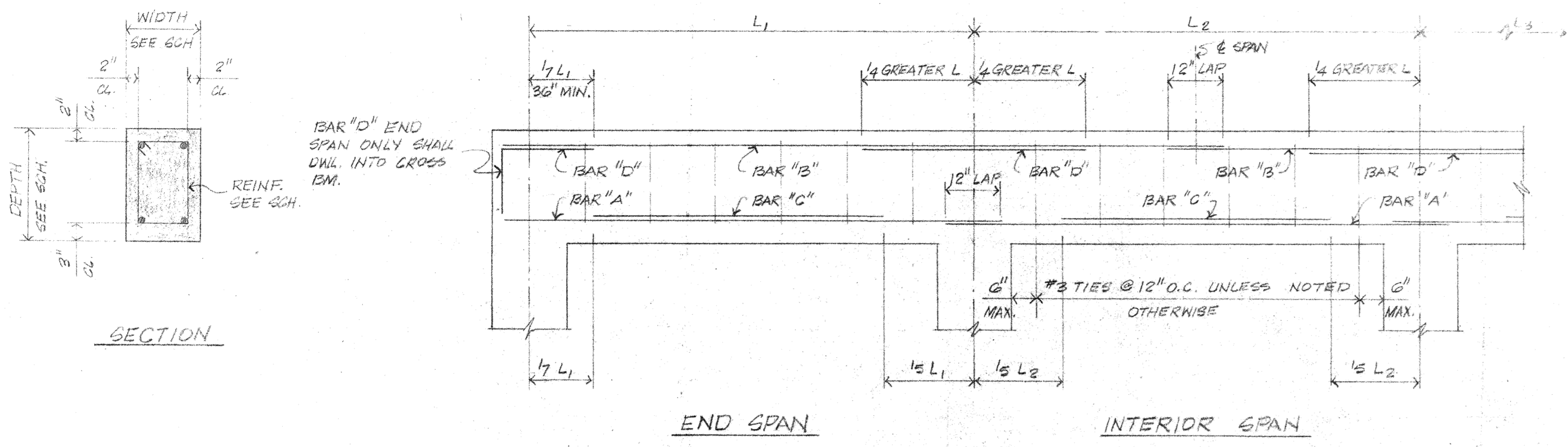
PERRAULT & PERRAULT
 CONSULTING ENGINEERS
 BATON ROUGE, LOUISIANA

Project no.	5-23
Drawn	
Checked	
Date	5-7-63
Revised	

HAMILTON, MEYER and ASSOCIATES, INC.
 ARCHITECT and ENGINEER

GYMNASIUM - FRAMING PLAN, DETAILS
 ADDITIONS TO BOYET JUNIOR HIGH SCHOOL
 SLIDELL, LOUISIANA
 ST. TAMMANY PARISH SCHOOL BOARD, OWNER

sheet no.
5-3
 of sheets

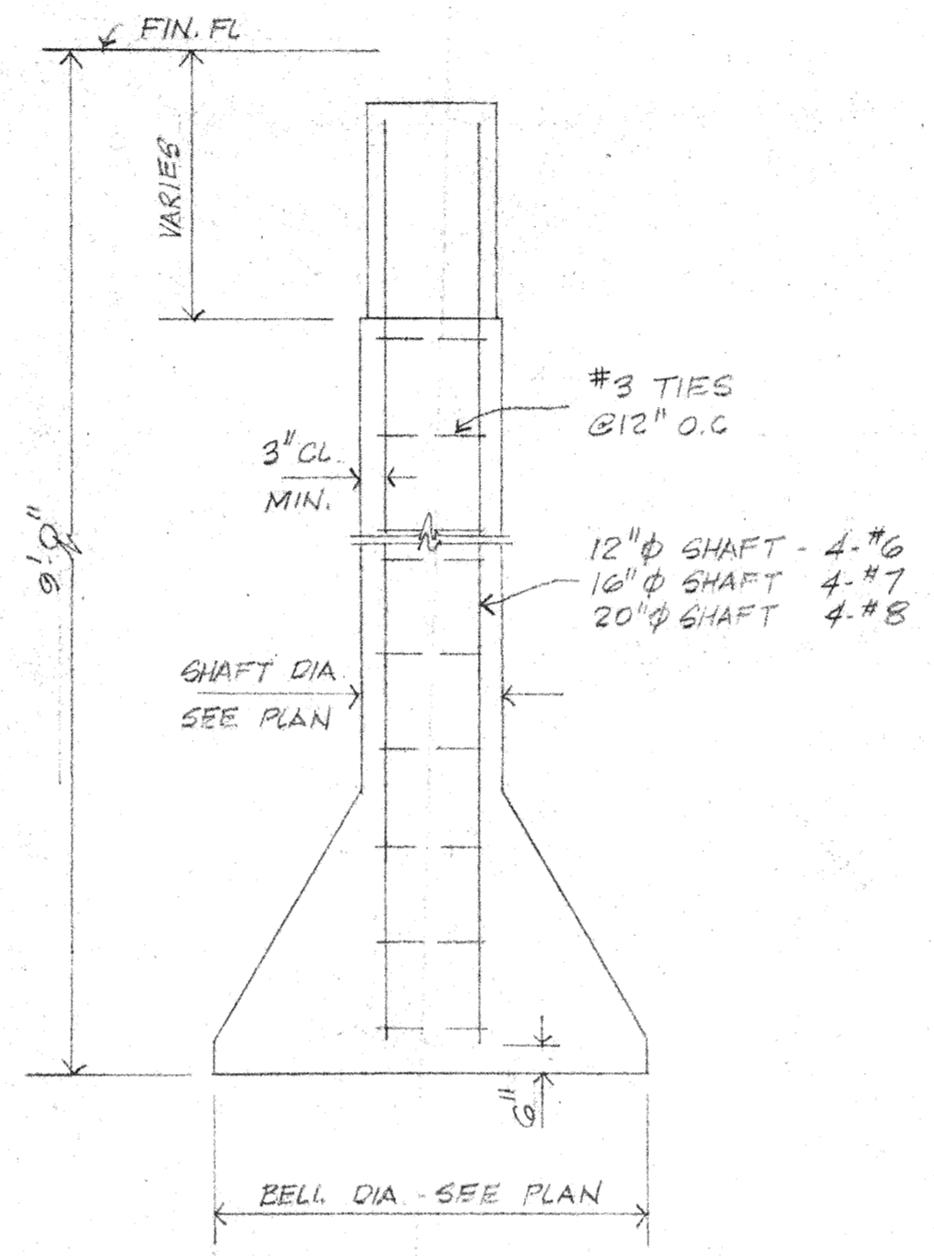


TYPICAL GRADE BEAM REINFORCING DETAIL

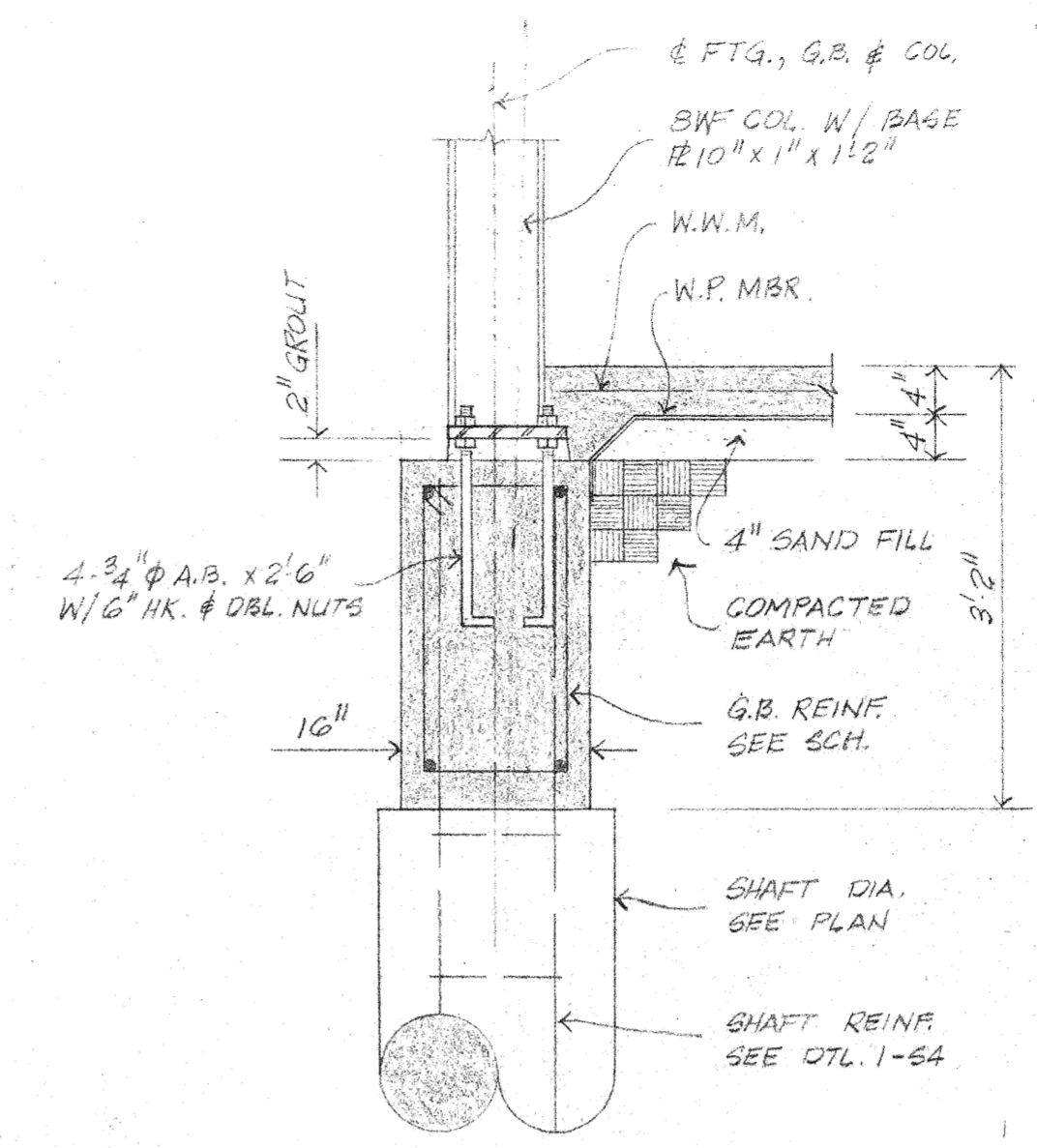
GRADE BEAM NOTES:

- WHERE BAR "B" CHANGES SIZE, THE LARGER BAR SHALL BE CARRIED TO THE MID-POINT OF THE ADJACENT SPAN.
- THE LARGER BAR "D" AT THE COMMON SUPPORT SHALL GOVERN.
- WHERE NECESSARY SPLICE BAR "A" OVER THE SUPPORTS AND BAR "B" AT END OF SPAN.
- CONSTRUCTION JOINTS SHALL BE LOCATED AT THE MIDDLE OF THE SPAN UNLESS A CROSS BEAM OCCURS IN THE IMMEDIATE VICINITY.

GRADE BEAM SCHEDULE								
MARK	WIDTH	DEPTH	BAR "A"	BAR "B"	BAR "C"	BAR "D"	STIRRUPS	REMARKS
GB-1	12"	24"	2-#6	2-#5	1-#7	2-#5 EA. END	#3 @ 12" O.C.	
GB-2	12"	24"	2-#6	4-#6	1-#6	---	#3 @ 12" O.C.	EXTEND BAR "A" AND "B" FULL LENGTH OF CANT. W/ #3 STIRRUPS @ 12"
GB-3	14"	24"	2-#6	4-#6	1-#6	---	#3 @ 12" O.C.	EXTEND BAR "A" AND "B" FULL LENGTH OF CANT. W/ #3 STIRRUPS @ 12"
GB-4	16"	30"	2-#8	2-#5	1-#6	2-#6 EA. END	#3 @ 12" O.C.	
GB-5	16"	30"	3-#7	2-#5	2-#5	2-#6 EA. END	#3 @ 12" O.C.	
GB-6	16"	30"	3-#8	2-#5	2-#5	2-#6 EA. END	#3 @ 12" O.C.	
GB-7	16"	30"	2-#6	2-#5	---	2-#6 EA. END	#3 @ 12" O.C.	
GB-8	16"	30"	3-#7	2-#5	2-#5	2-#6 EXTEND 2-#8 INT. END	#3 @ 12" O.C.	
GB-9	16"	30"	3-#6	2-#5	2-#5	2-#9 EA. END	#3 @ 12" O.C.	

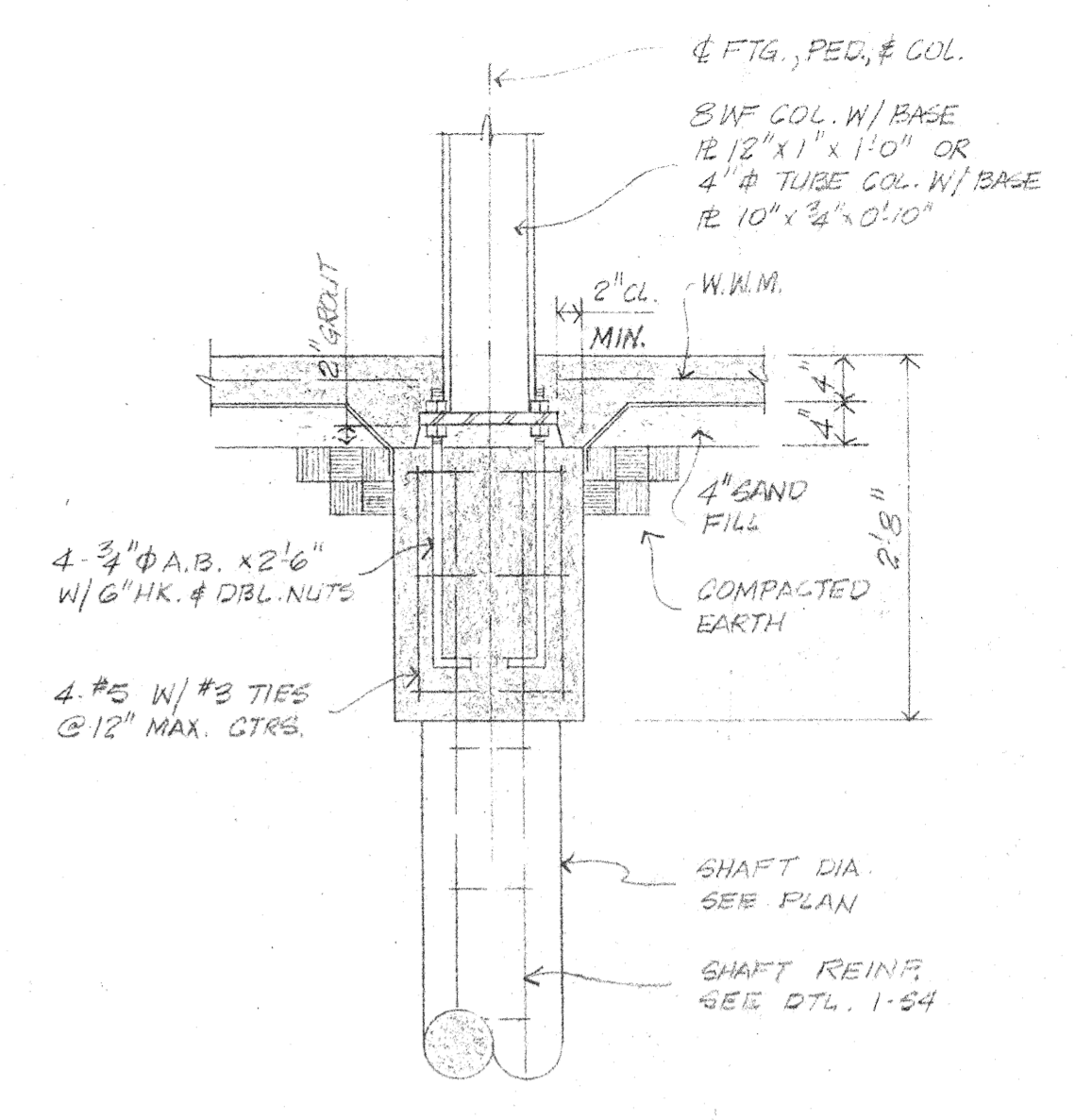


1 TYP. DRILLED FTG. DETAIL
N.T.S.
RE: 1-62

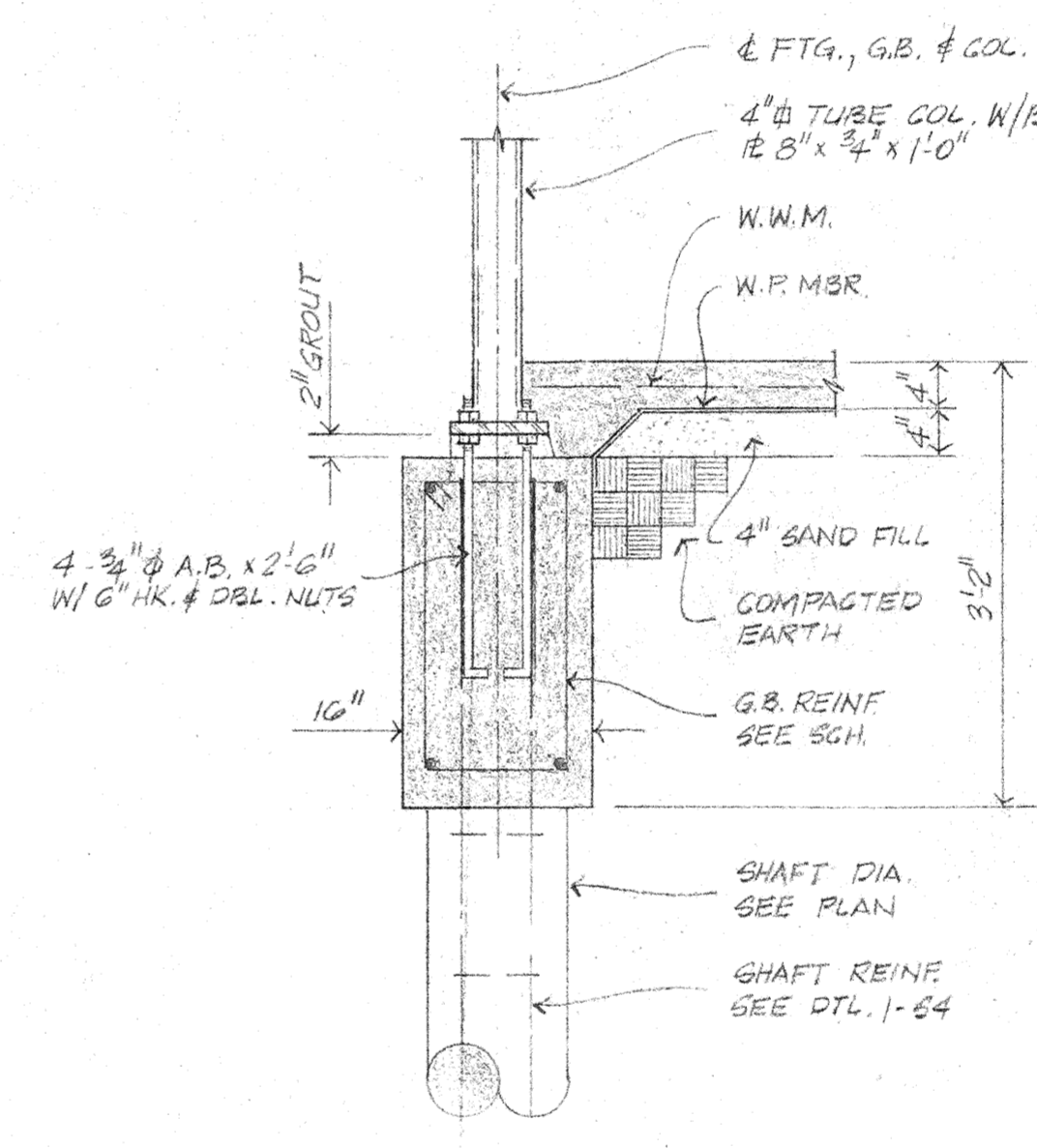


NOTE: AT CORNER COL. USE BASE RE 10"x1"x1'0" W/ 4-3/4" BOLTS.

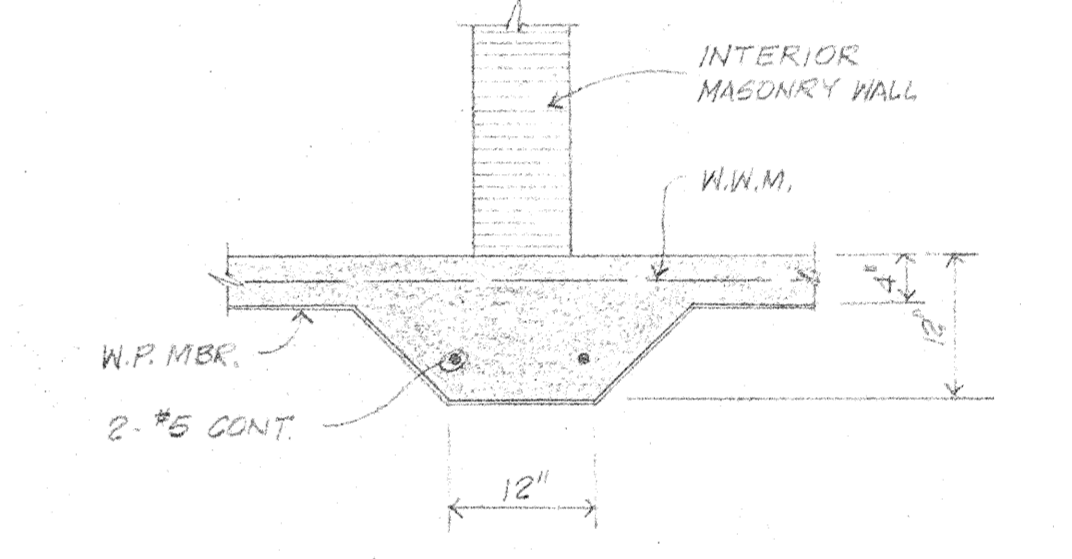
2 SECTION
SCALE: 3/4"=1'-0"
RE: 1-62



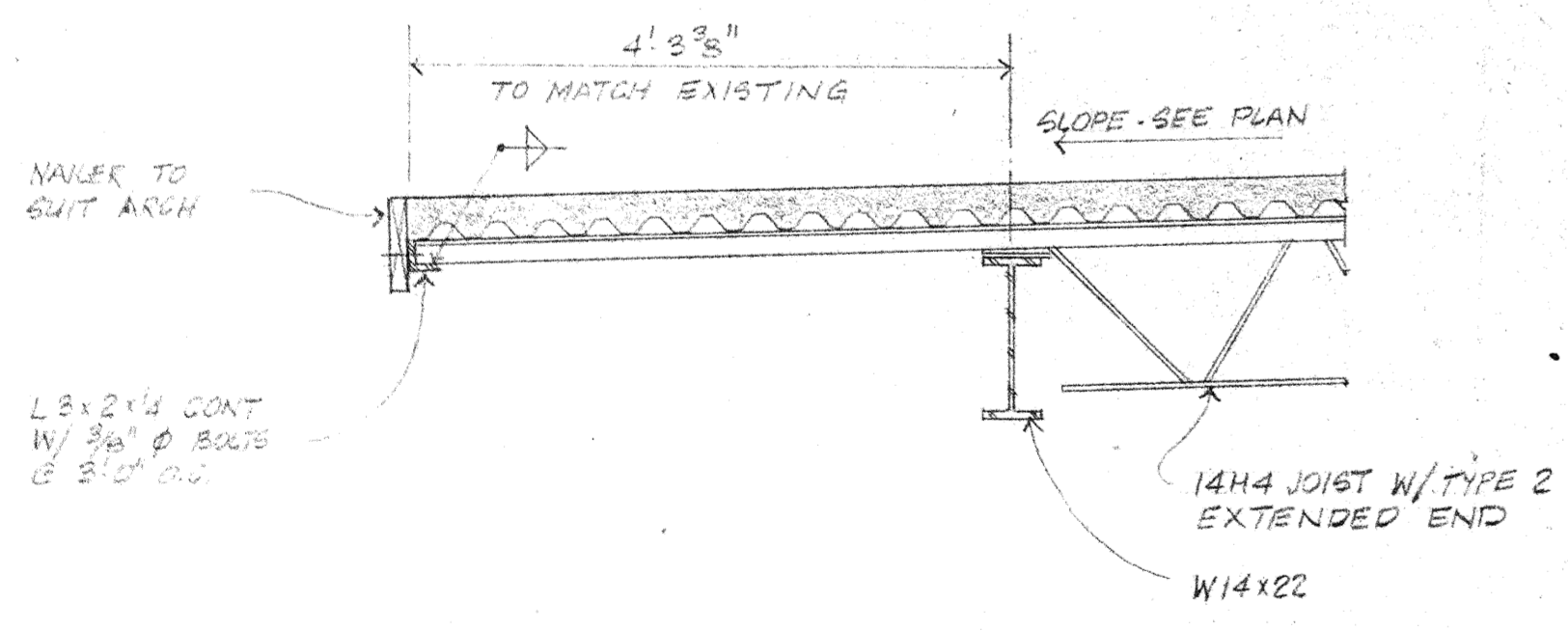
3 SECTION
SCALE: 3/4"=1'-0"
RE: 1-62



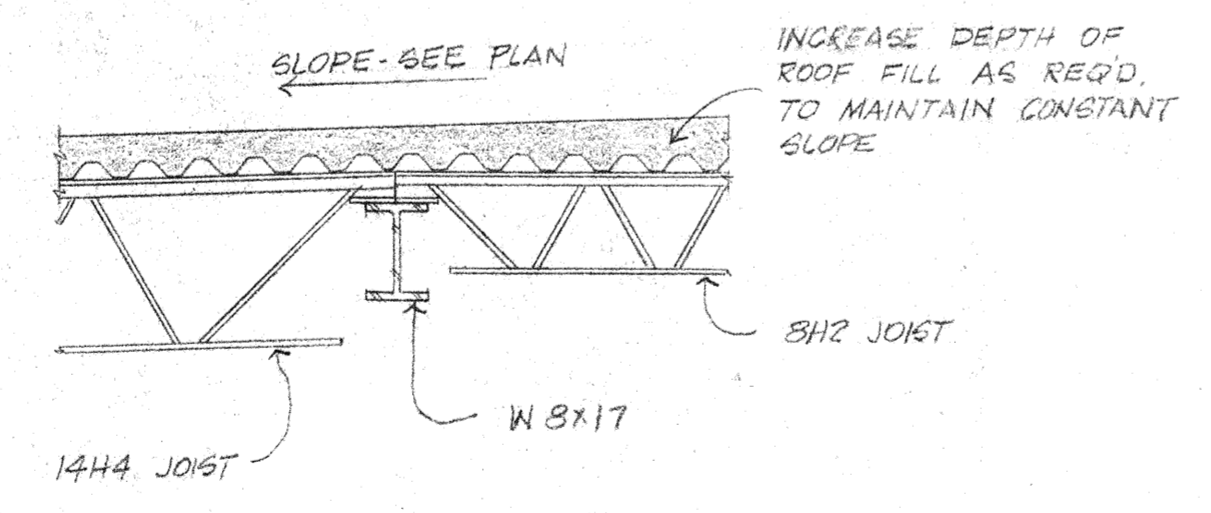
4 SECTION
SCALE: 3/4"=1'-0"
RE: 1-62



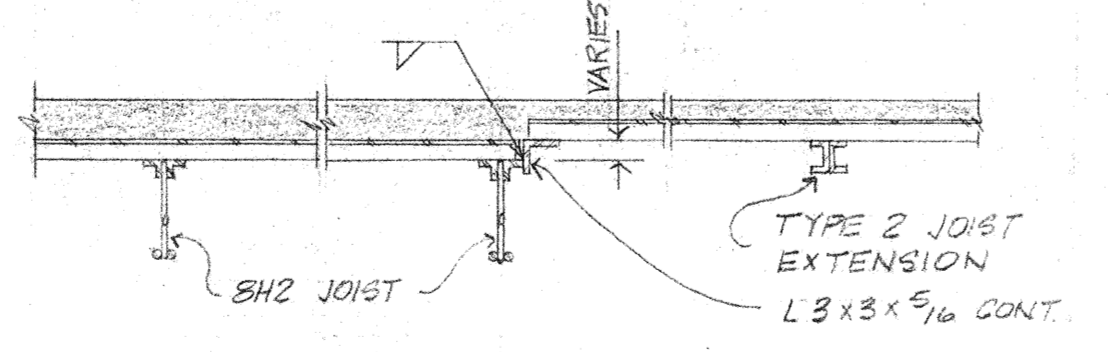
5 TYP. SLAB DETAIL @ INTERIOR MASONRY WALL
SCALE: 3/4"=1'-0"
RE: 1-61, 1-62



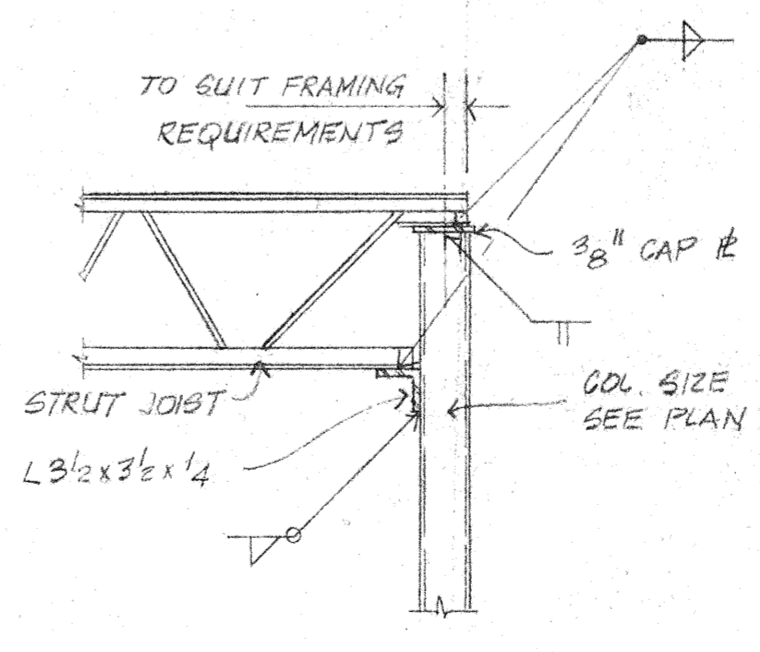
6 SECTION
SCALE: 3/4"=1'-0"
RE: 2-61



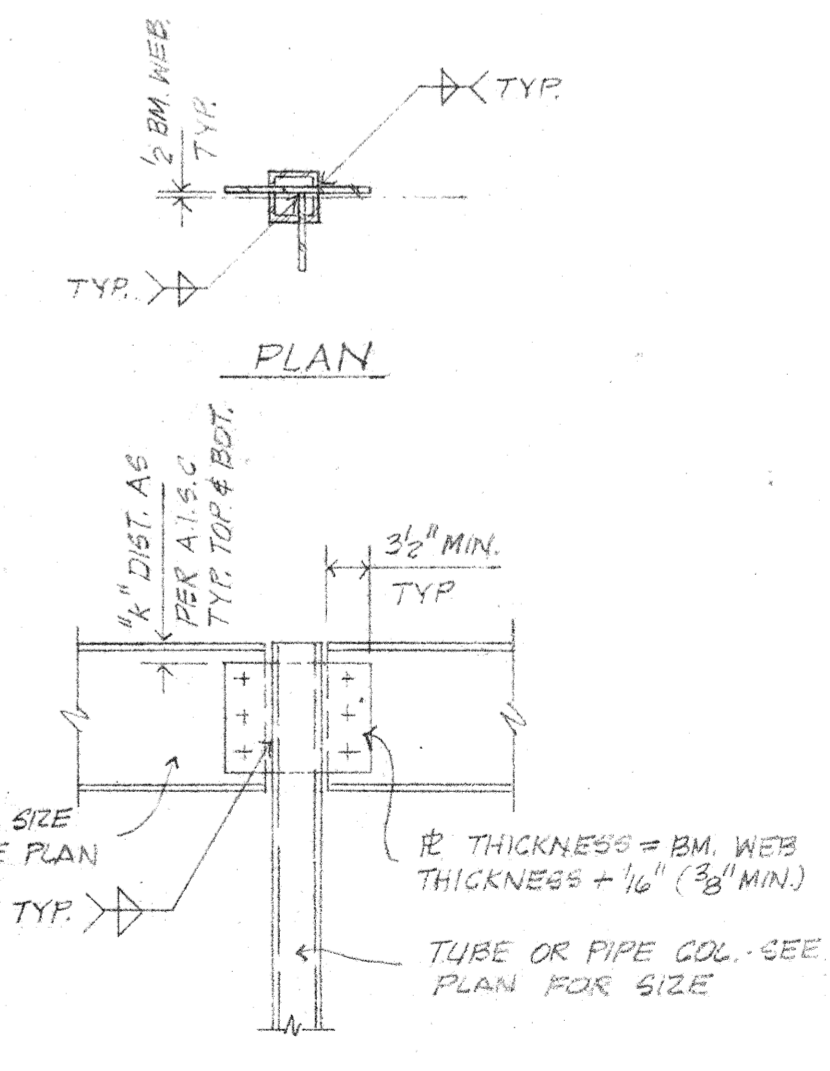
7 SECTION
SCALE: 3/4"=1'-0"
RE: 2-61



8 SECTION
SCALE: 3/4"=1'-0"
RE: 2-61



9 TYP. STRUT JOIST TO TUBE COL. CONN. DTL.
N.T.S.
RE: 2-61, 1-63

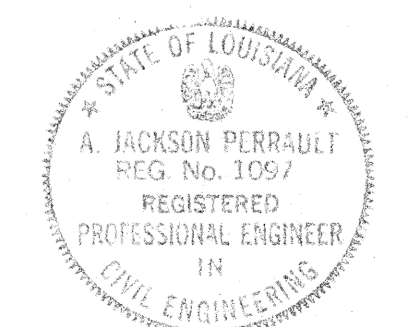


10 TYP. BM. TO TUBE OR PIPE COL. CONN. DTL.
N.T.S.
RE: 2-61, 1-63

Project no. 5108
drawn by J.P.P.
checked by J.P.P.
date 2-9-62
revised

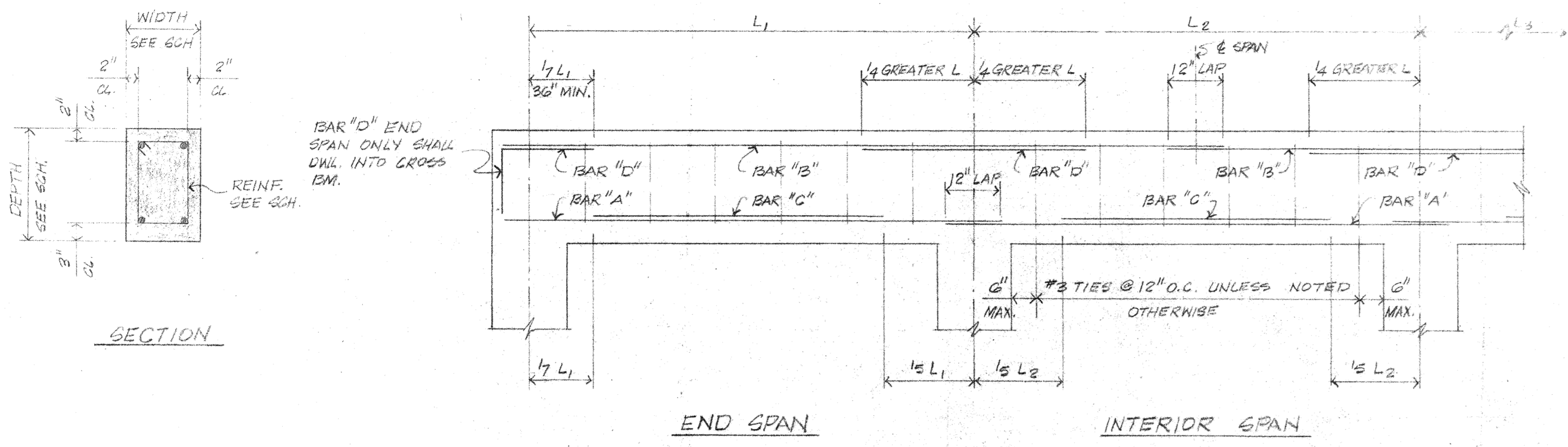
HAMILTON, MEYER and ASSOCIATES, INC.
ARCHITECT — and — ENGINEER

GYM-FOUNDATION DETAILS, CLASSEM. FRAMING DTL., SCHEDULE
ADDITIONS TO BOYET JUNIOR HIGH SCHOOL
SLIDELL, LOUISIANA
ST. TAMMANY PARISH SCHOOL BOARD, OWNER



PERRAULT & PERRAULT
CONSULTING ENGINEERS
BATON ROUGE, LOUISIANA

sheet no. S-4 of 4 sheets

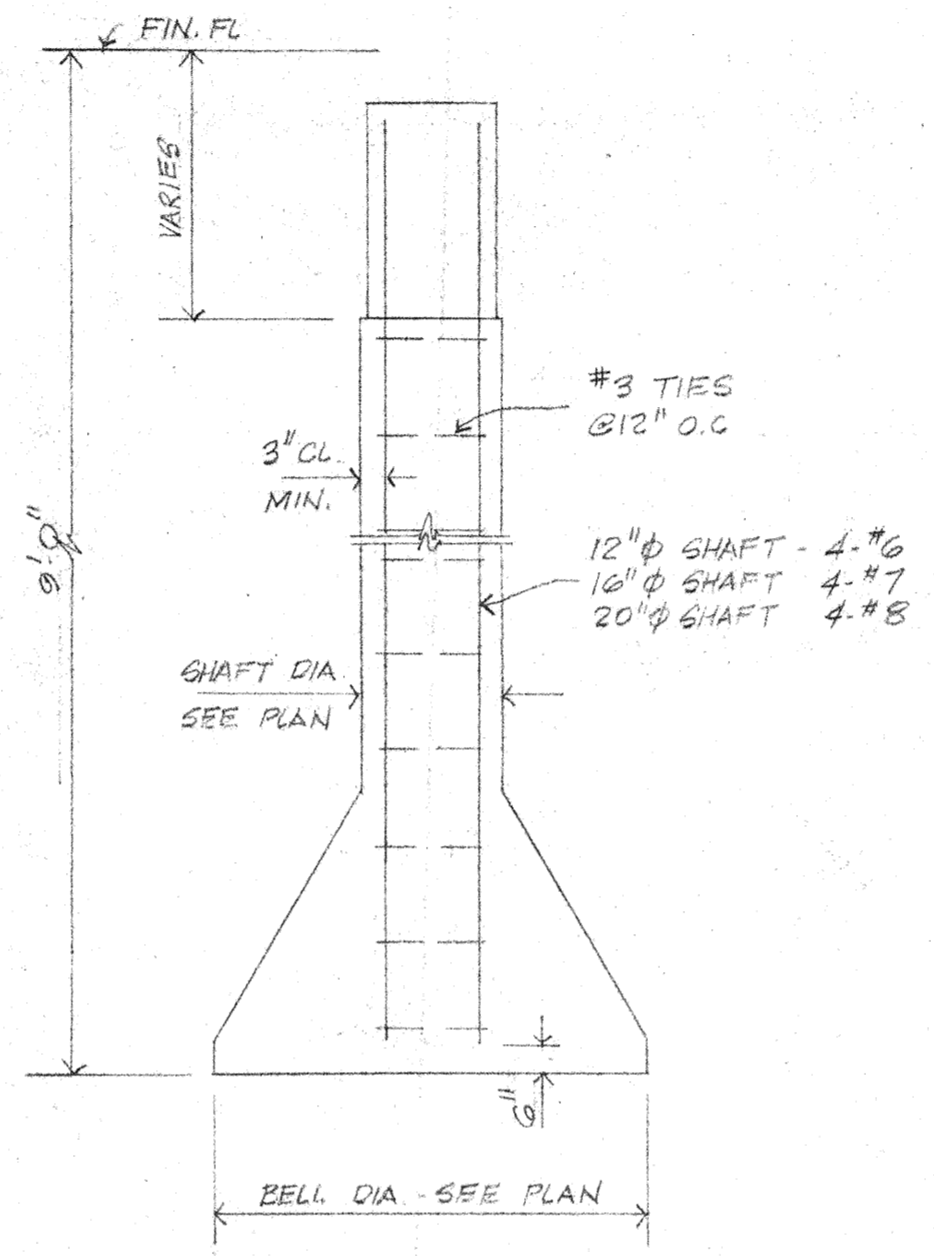


TYPICAL GRADE BEAM REINFORCING DETAIL

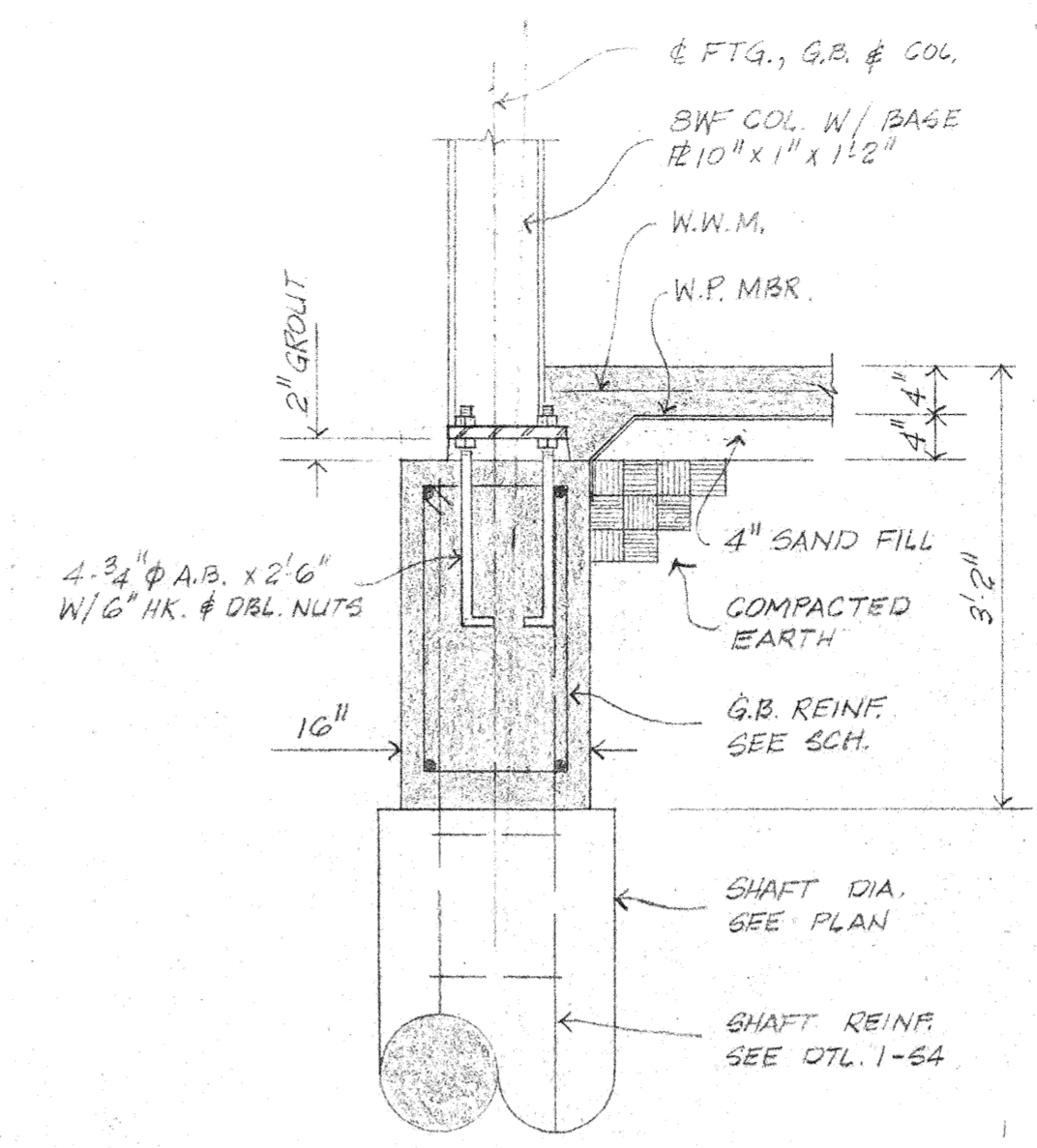
GRADE BEAM NOTES:

- WHERE BAR "B" CHANGES SIZE, THE LARGER BAR SHALL BE CARRIED TO THE MID-POINT OF THE ADJACENT SPAN.
- THE LARGER BAR "D" AT THE COMMON SUPPORT SHALL GOVERN.
- WHERE NECESSARY SPLICE BAR "A" OVER THE SUPPORTS AND BAR "B" AT $\frac{1}{4}$ OF SPAN.
- CONSTRUCTION JOINTS SHALL BE LOCATED AT THE MIDDLE OF THE SPAN UNLESS A CROSS BEAM OCCURS IN THE IMMEDIATE VICINITY.

GRADE BEAM SCHEDULE								
MARK	WIDTH	DEPTH	BAR "A"	BAR "B"	BAR "C"	BAR "D"	STIRRUPS	REMARKS
GB-1	12"	24"	2-#6	2-#5	1-#7	2-#5 EA. END	#3 @ 12" O.C.	
GB-2	12"	24"	2-#6	4-#6	1-#6	—	#3 @ 12" O.C.	EXTEND BAR "A" AND "B" FULL LENGTH OF CANT. W/ #3 STIRRUPS @ 12"
GB-3	14"	24"	2-#6	4-#6	1-#6	—	#3 @ 12" O.C.	EXTEND BAR "A" AND "B" FULL LENGTH OF CANT. W/ #3 STIRRUPS @ 12"
GB-4	16"	30"	2-#8	2-#5	1-#6	2-#6 EA. END	#3 @ 12" O.C.	
GB-5	16"	30"	3-#7	2-#5	2-#5	2-#6 EA. END	#3 @ 12" O.C.	
GB-6	16"	30"	3-#8	2-#5	2-#5	2-#6 EA. END	#3 @ 12" O.C.	
GB-7	16"	30"	2-#6	2-#5	—	2-#6 EA. END	#3 @ 12" O.C.	
GB-8	16"	30"	3-#7	2-#5	2-#5	2-#6 EXTEND 2-#8 INT. END	#3 @ 12" O.C.	
GB-9	16"	30"	3-#6	2-#5	2-#5	2-#9 EA. END	#3 @ 12" O.C.	

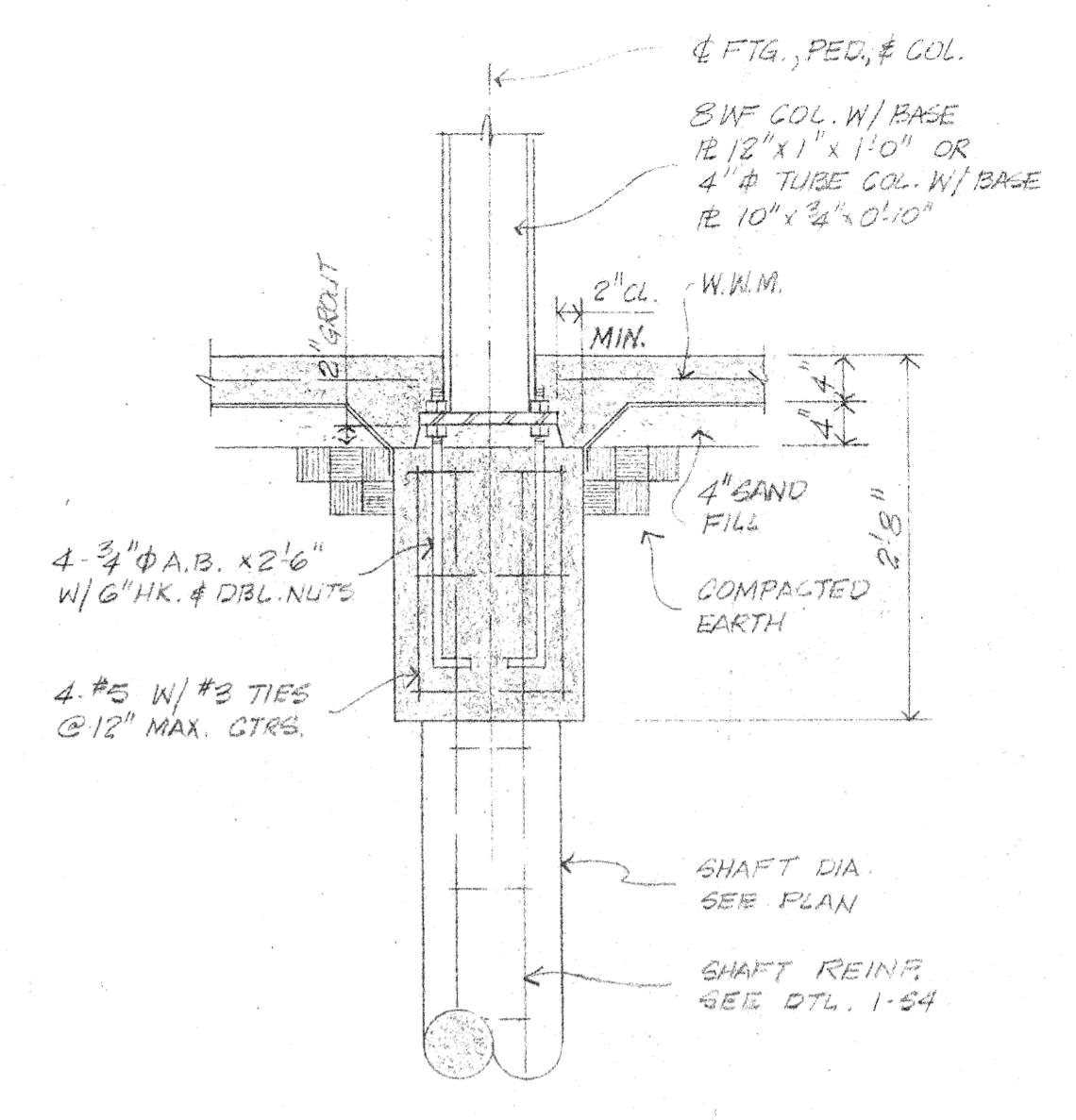


TYP. DRILLED FTG. DETAIL

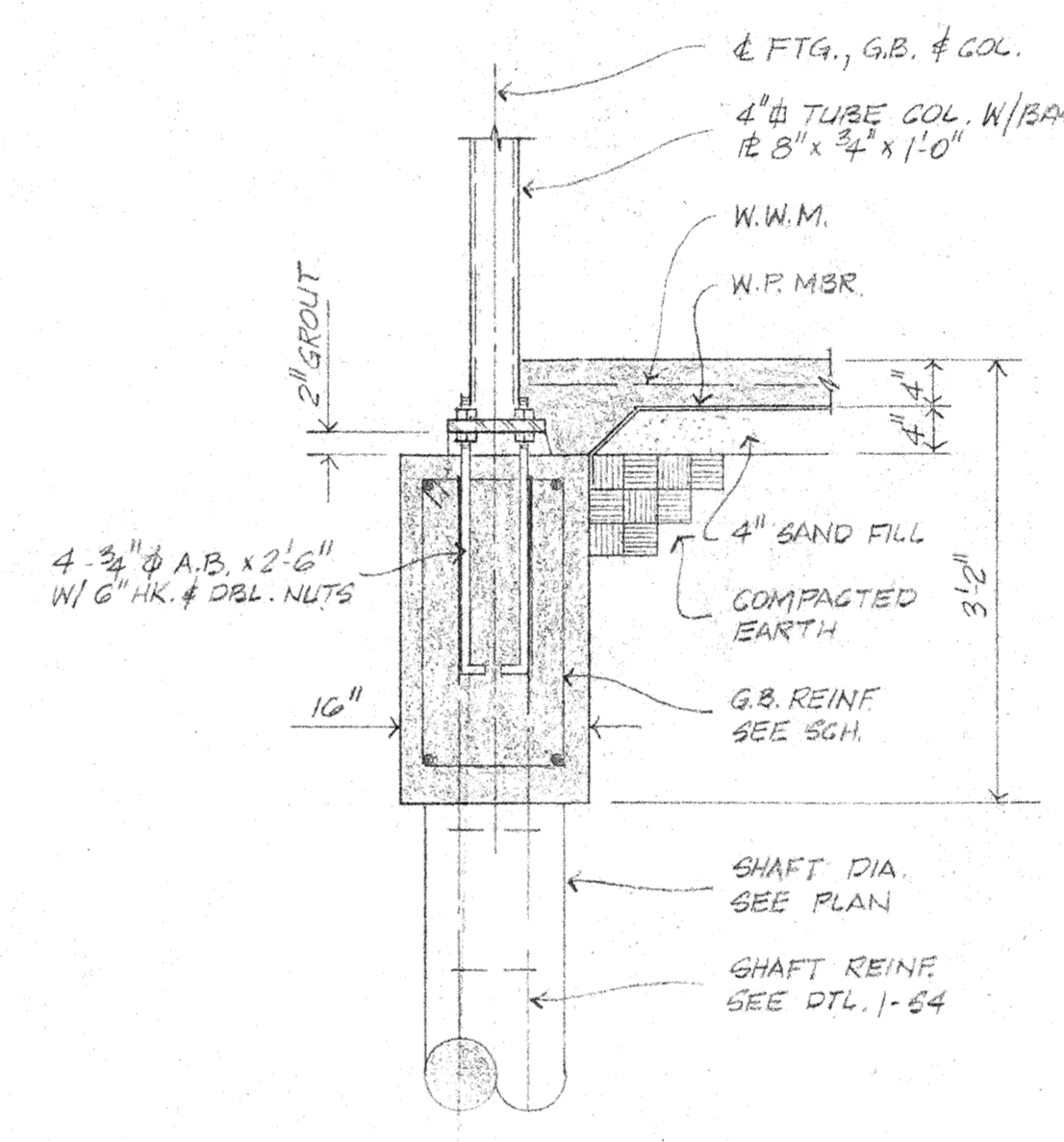


NOTE: AT CORNER COL. USE BASE RE 10"x1"x1'-0" W/ 4-3/4" BOLTS.

2 SECTION SCALE: 3/4"=1'-0" RE: 1-62

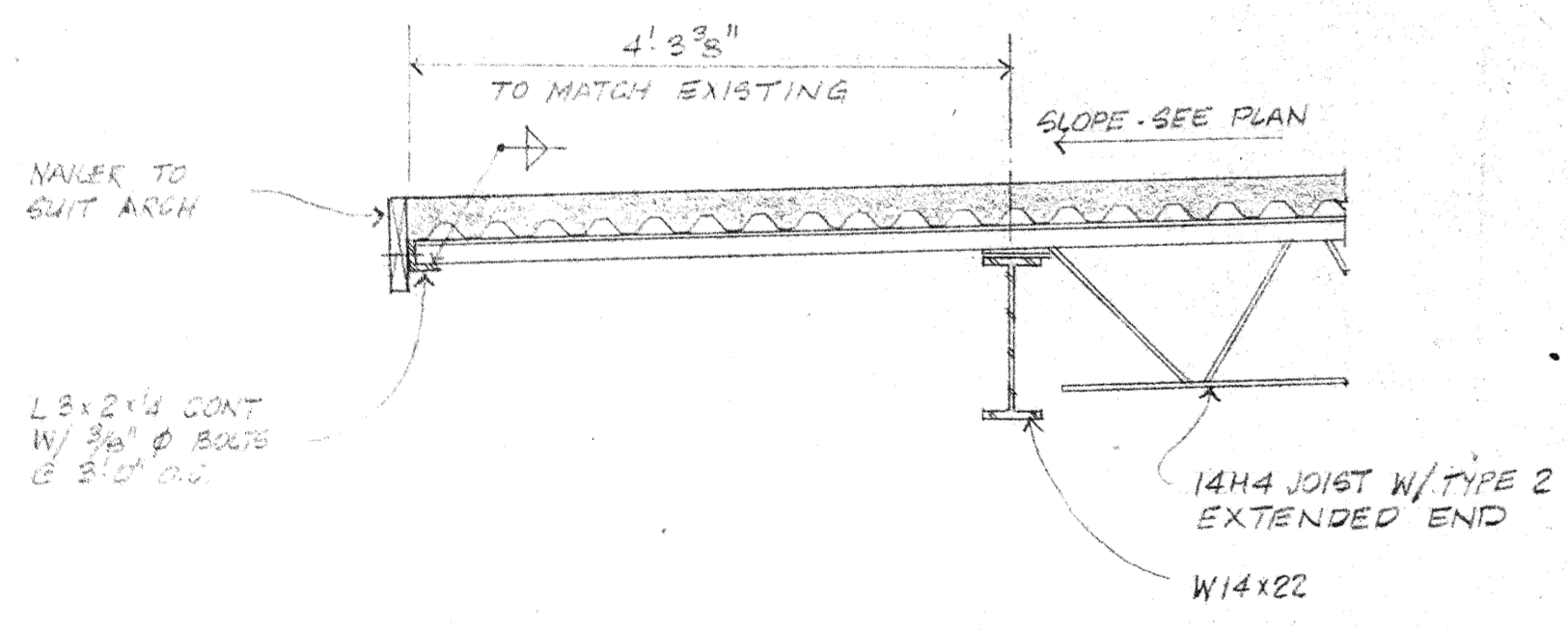


3 SECTION SCALE: 3/4"=1'-0" RE: 1-62

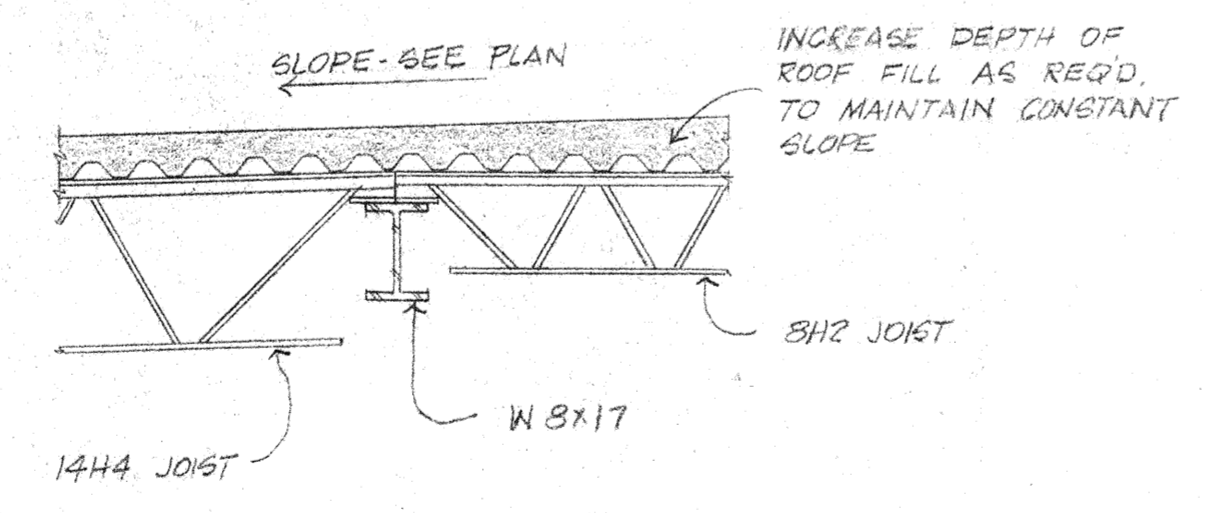


4 SECTION SCALE: 3/4"=1'-0" RE: 1-62

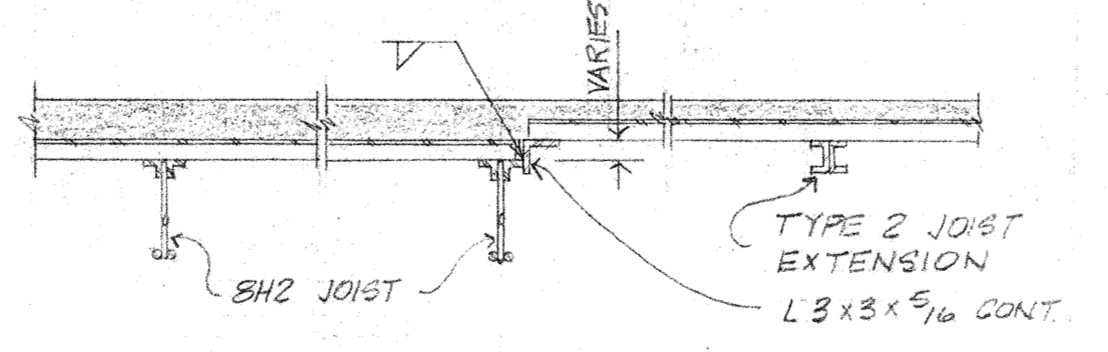
5 TYP. SLAB DETAIL @ INTERIOR MASONRY WALL SCALE: 3/4"=1'-0" RE: 1-61, 1-62



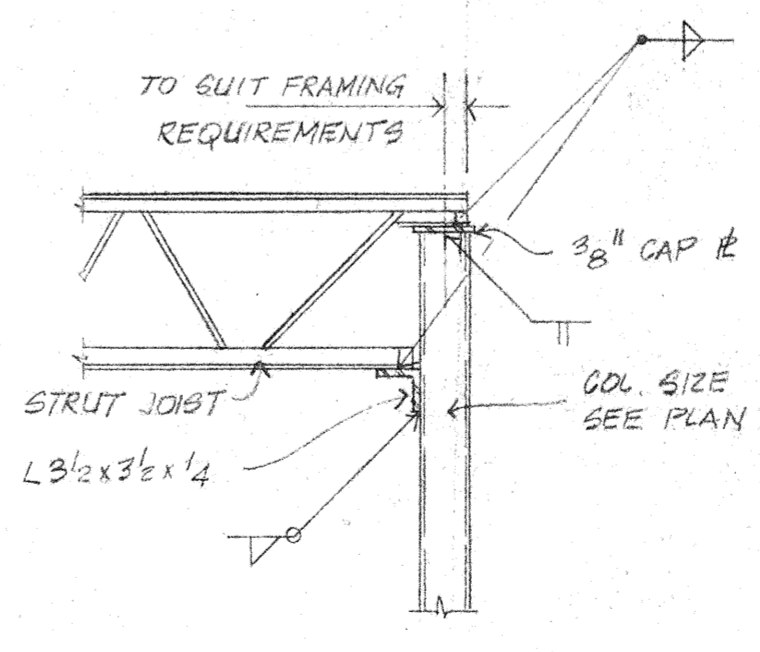
6 SECTION SCALE: 3/4"=1'-0" RE: 2-61



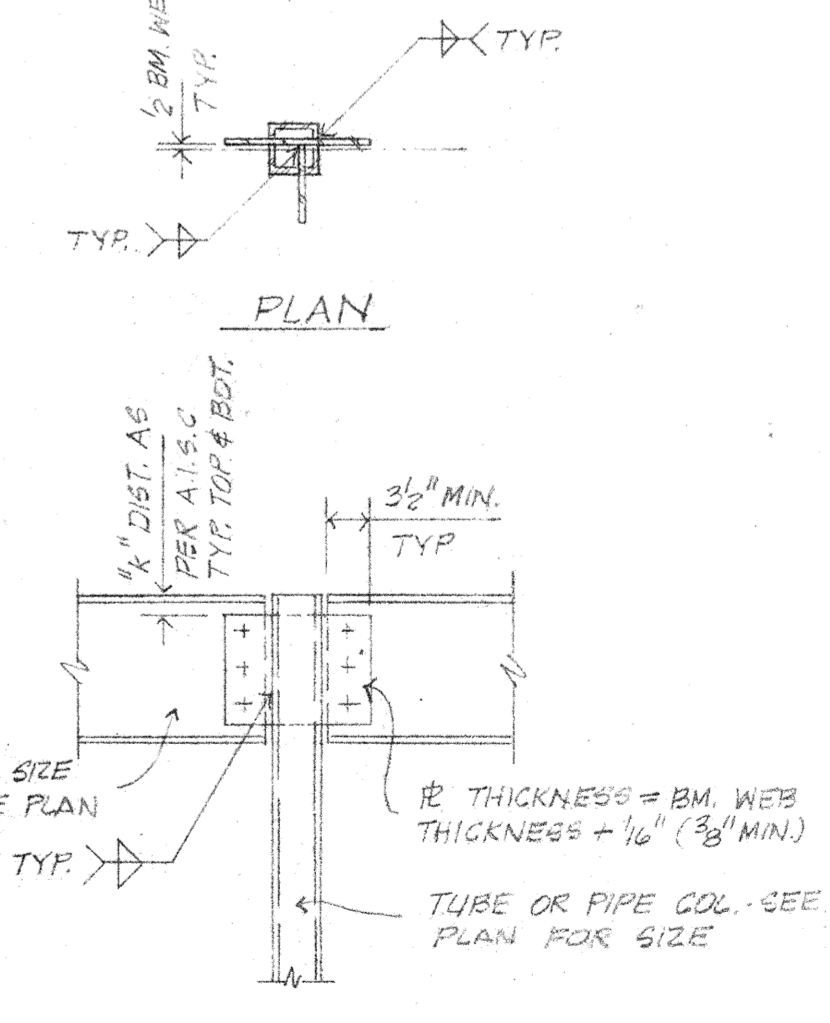
7 SECTION SCALE: 3/4"=1'-0" RE: 2-61



8 SECTION SCALE: 3/4"=1'-0" RE: 2-61



9 TYP. STRUT JOIST TO TUBE COL. CONN. DTL. N.T.S. RE: 2-61, 1-63

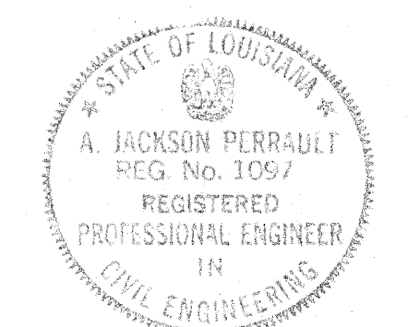


10 TYP. BM. TO TUBE OR PIPE COL. CONN. DTL. N.T.S. RE: 2-61, 1-63

Project no. 5108
 Drawn by J.P.P.
 Checked by J.P.P.
 Date 2-9-62
 Revised

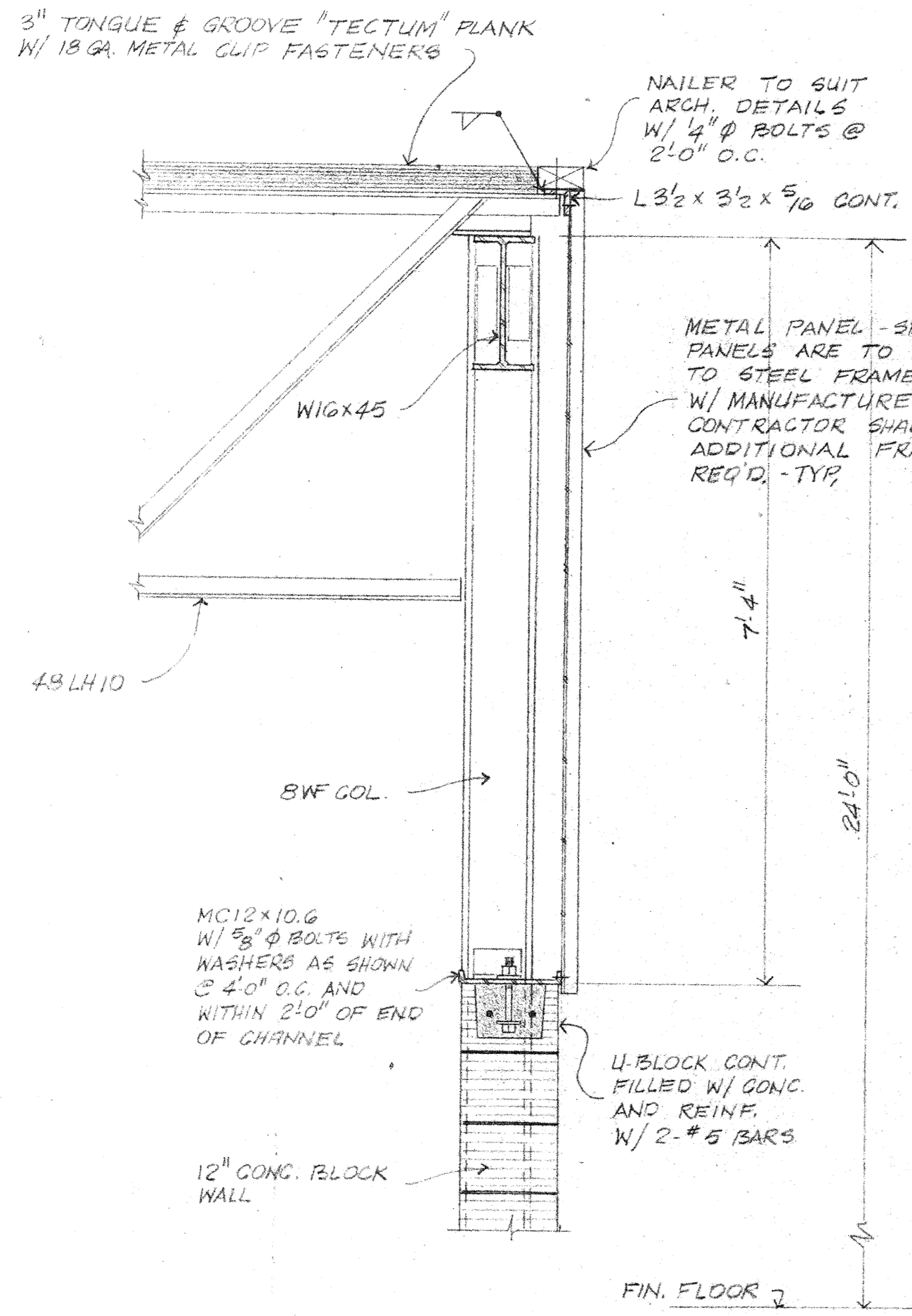
HAMILTON, MEYER and ASSOCIATES, INC.
 ARCHITECT — and — ENGINEER

GYM-FOUNDATION DETAILS, CLASSEM. FRAMING DTL., SCHEDULE
 ADDITIONS TO BOYET JUNIOR HIGH SCHOOL
 SLIDELL, LOUISIANA
 ST. TAMMANY PARISH SCHOOL BOARD, OWNER

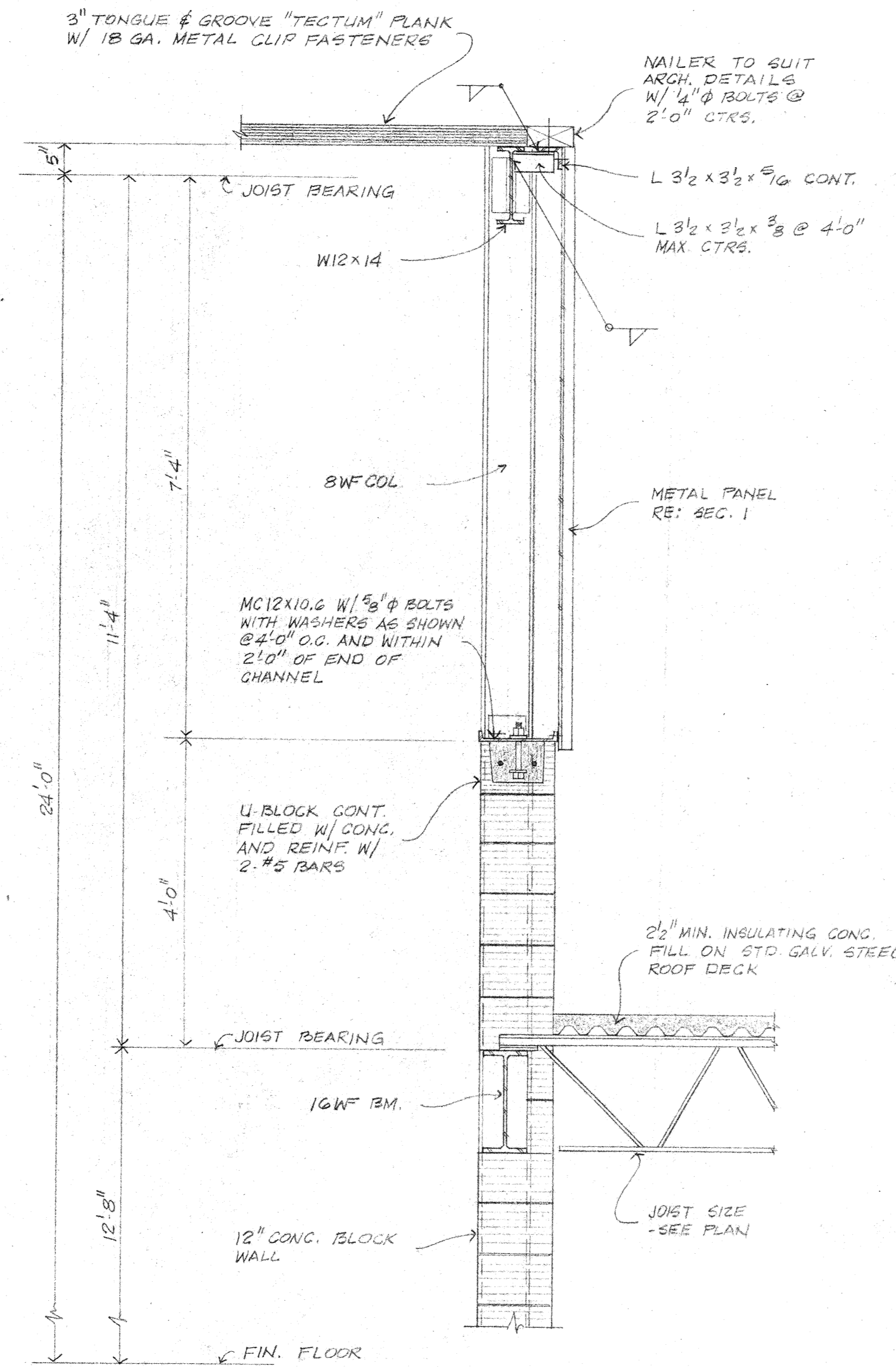


PERRAULT & PERRAULT
 CONSULTING ENGINEERS
 BATON ROUGE, LOUISIANA

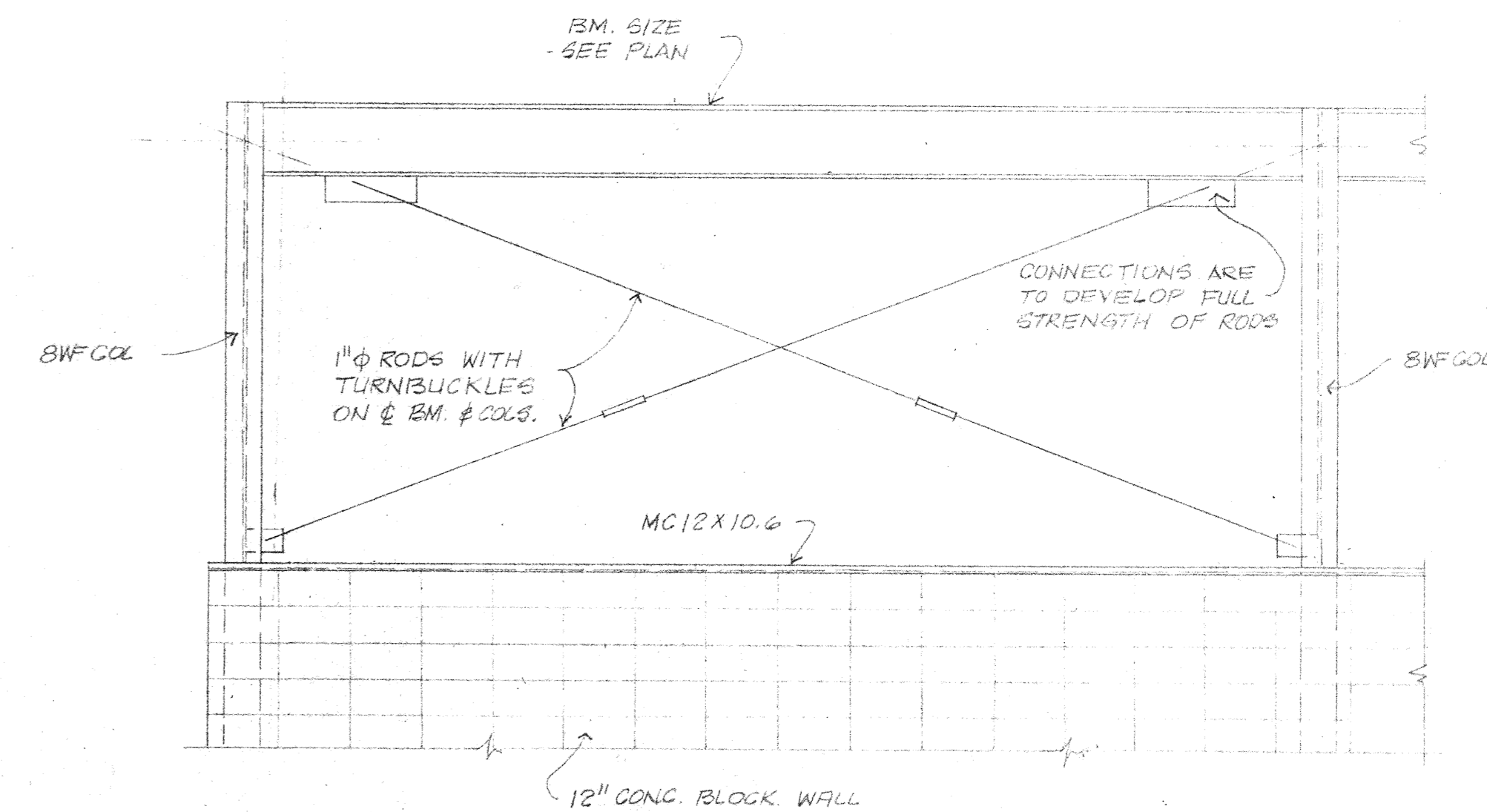
sheet no. S-4 of 4 sheets



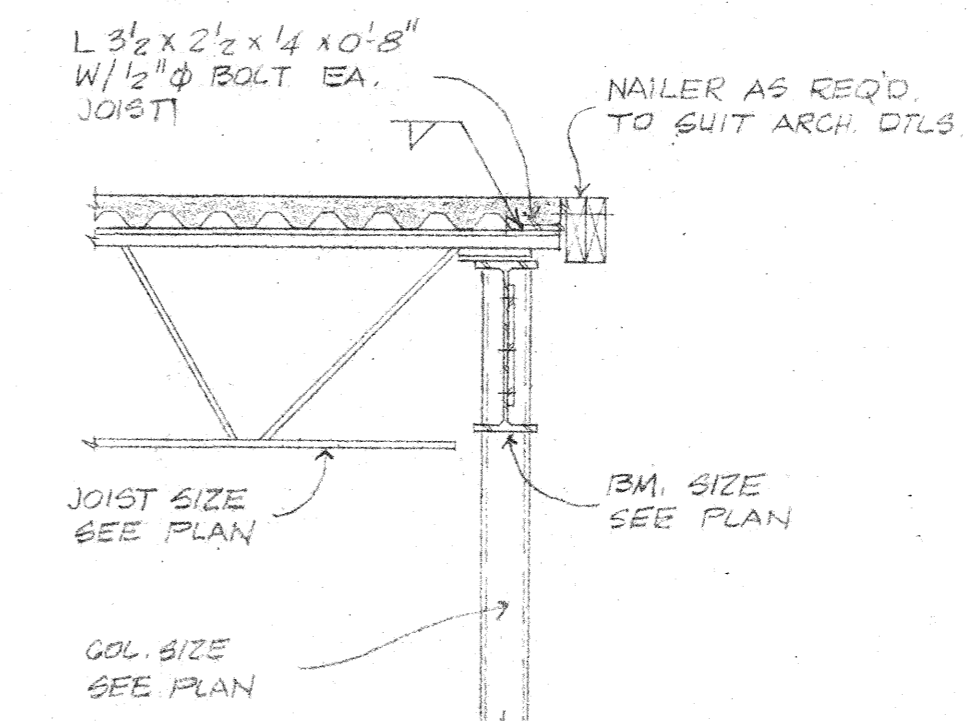
SECTION 1
SCALE: 3/4"=1'-0"
RE: 1-53



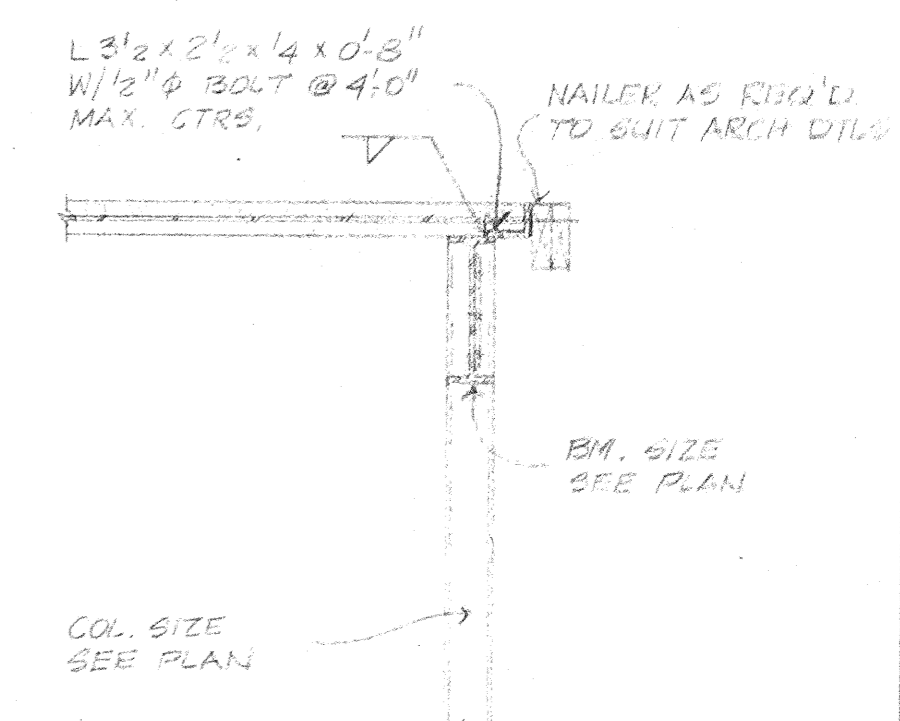
SECTION 2
SCALE: 3/4"=1'-0"
RE: 1-53



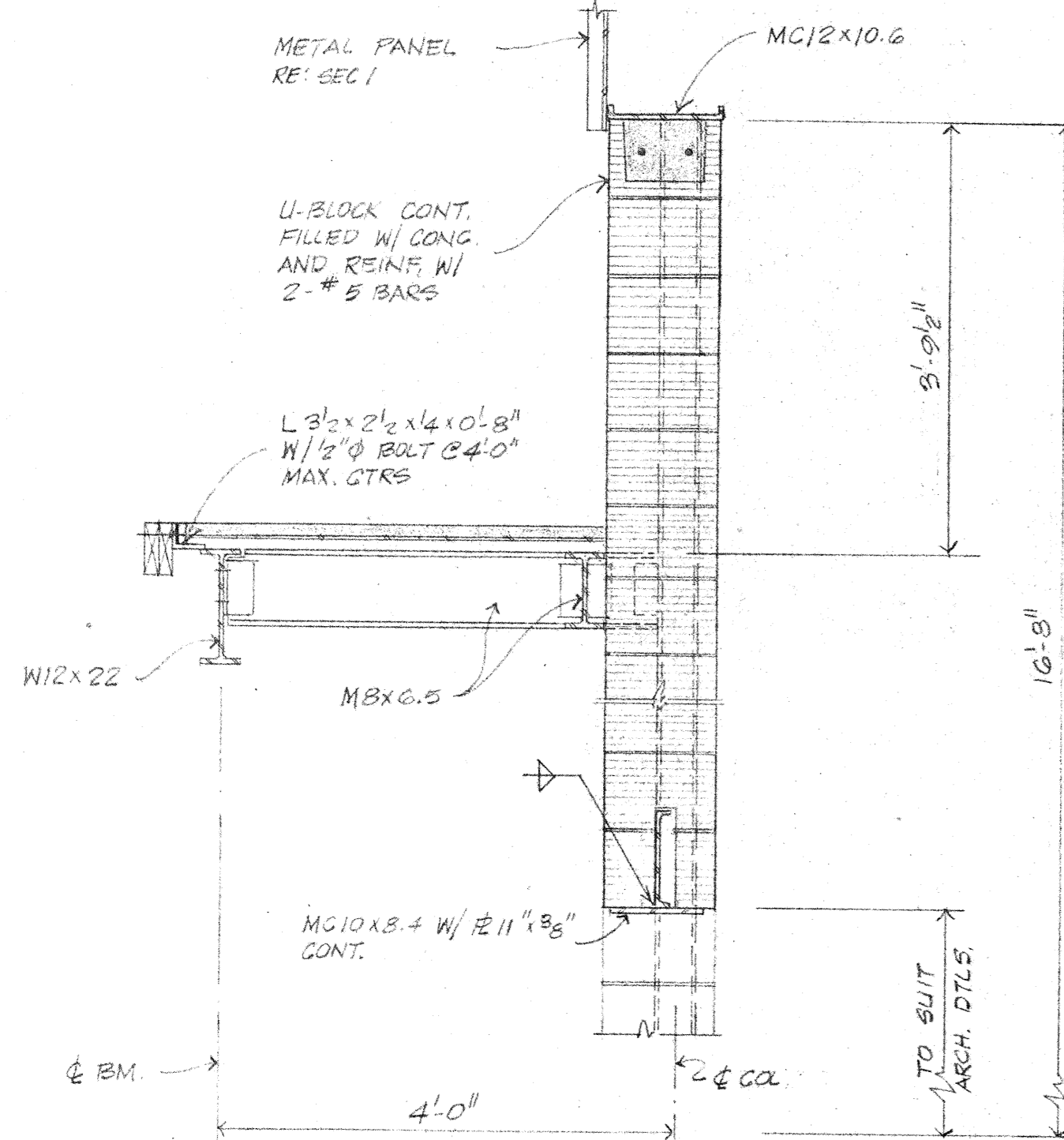
SECTION 3
TYPICAL ELEVATION OF "X" BRACING
NOT TO SCALE
RE: 1-53



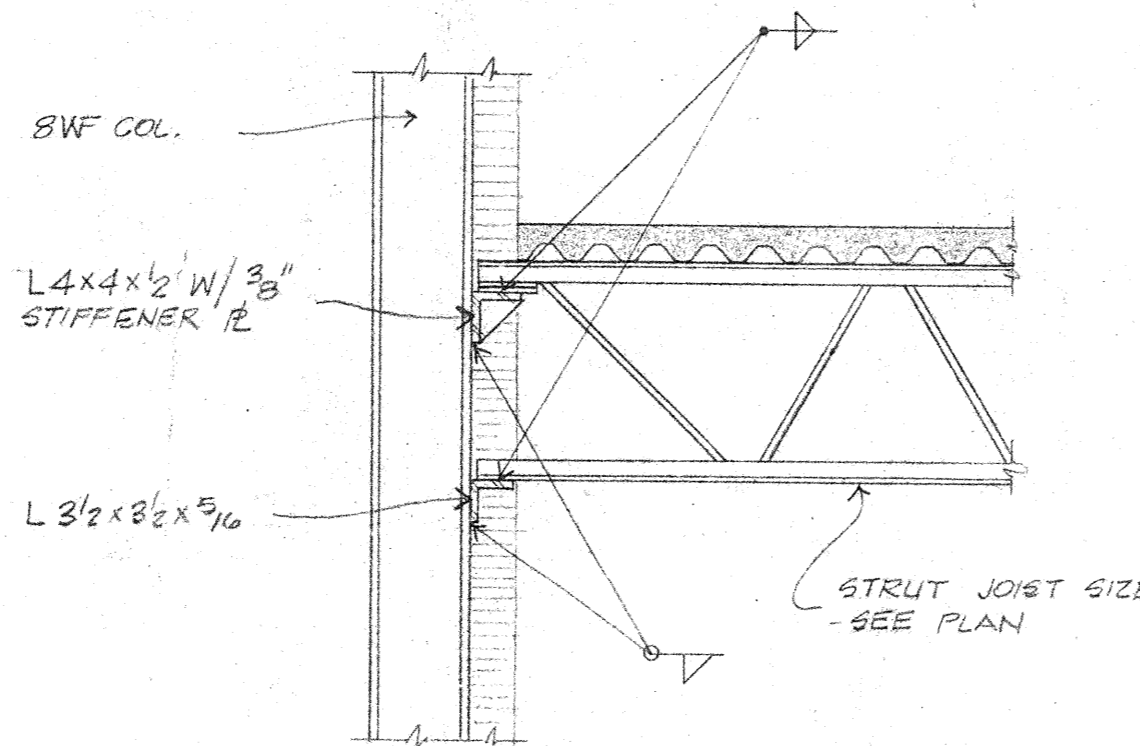
SECTION 4
SCALE: 3/4"=1'-0"
RE: 1-53



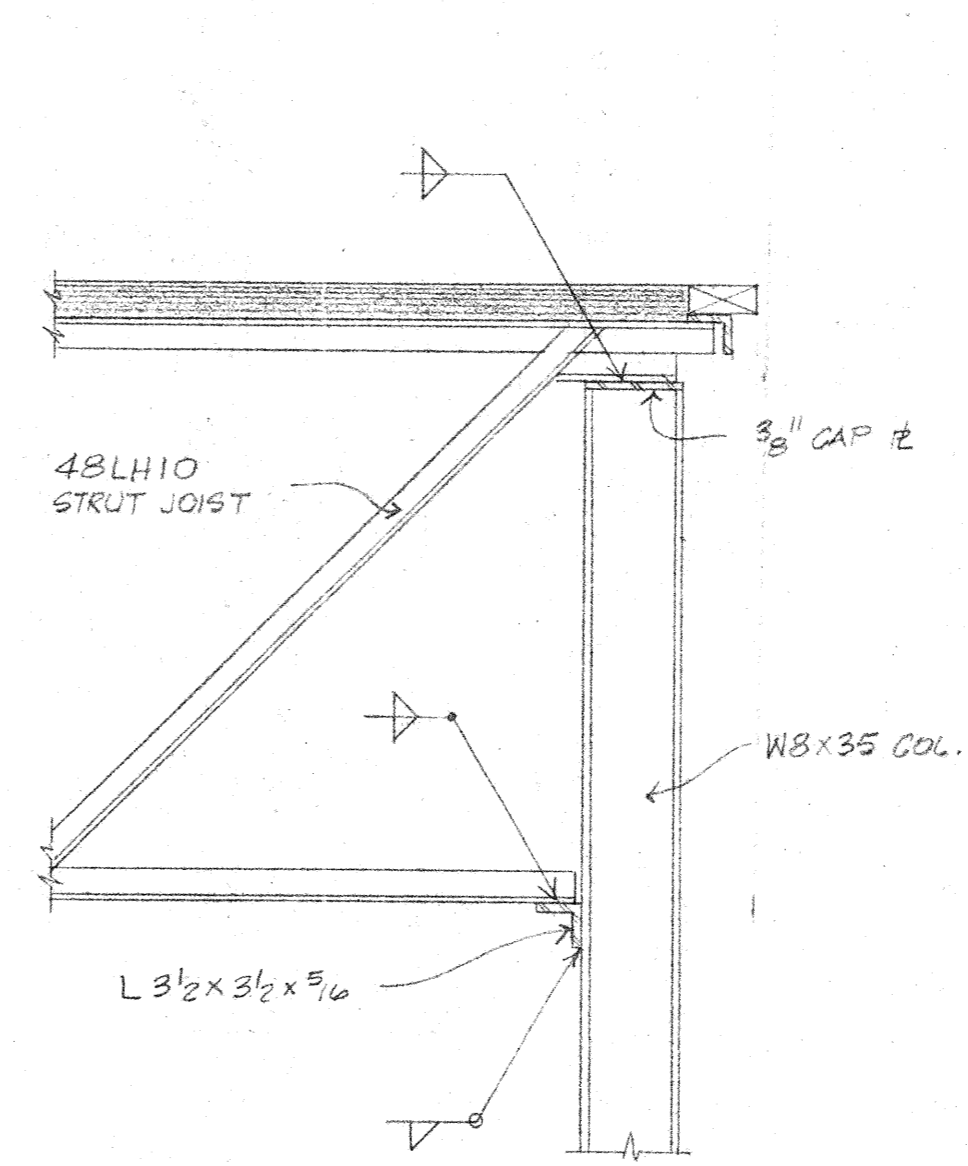
SECTION 5
SCALE: 3/4"=1'-0"
RE: 1-53



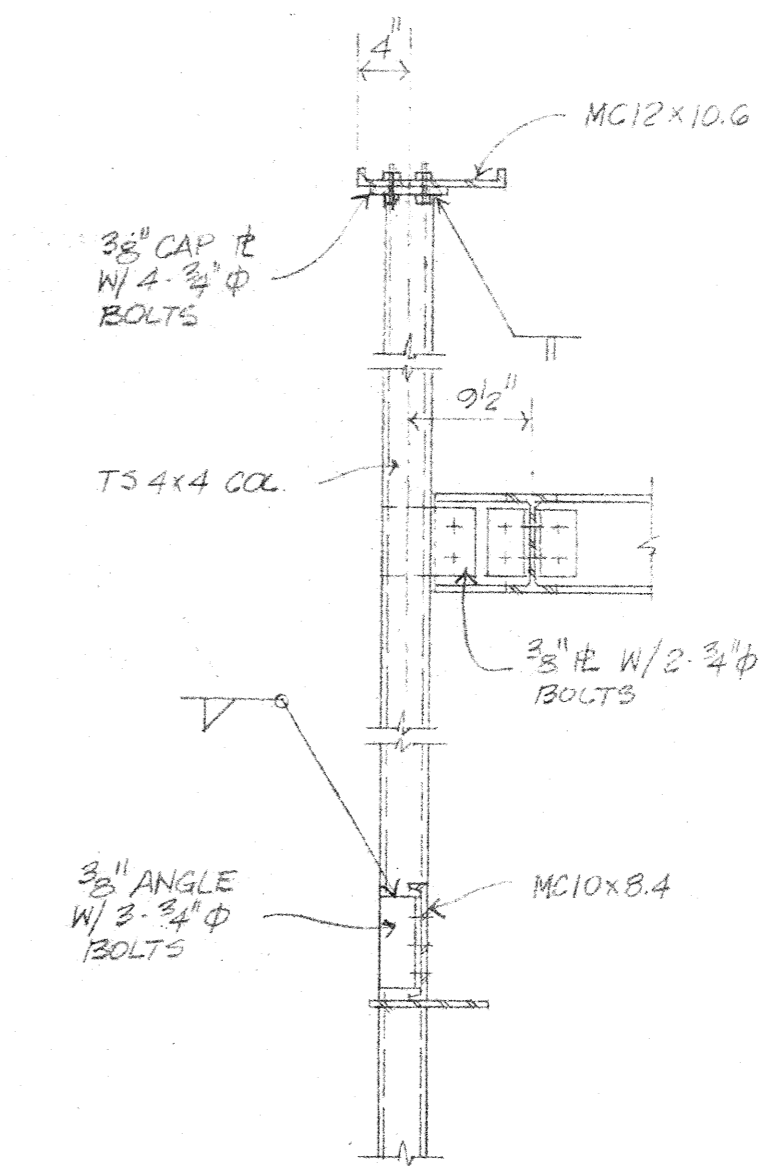
SECTION 6
SCALE: 3/4"=1'-0"
RE: 1-53



SECTION 7
SCALE: 3/4"=1'-0"
RE: 1-53



SECTION 8
SCALE: 3/4"=1'-0"
RE: 1-53

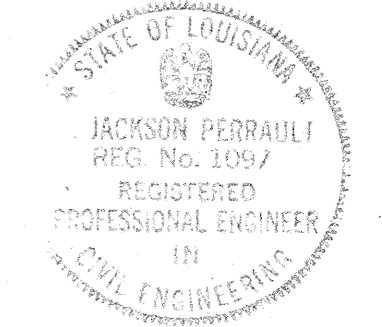


SECTION 9
SCALE: 3/4"=1'-0"
RE: 1-53

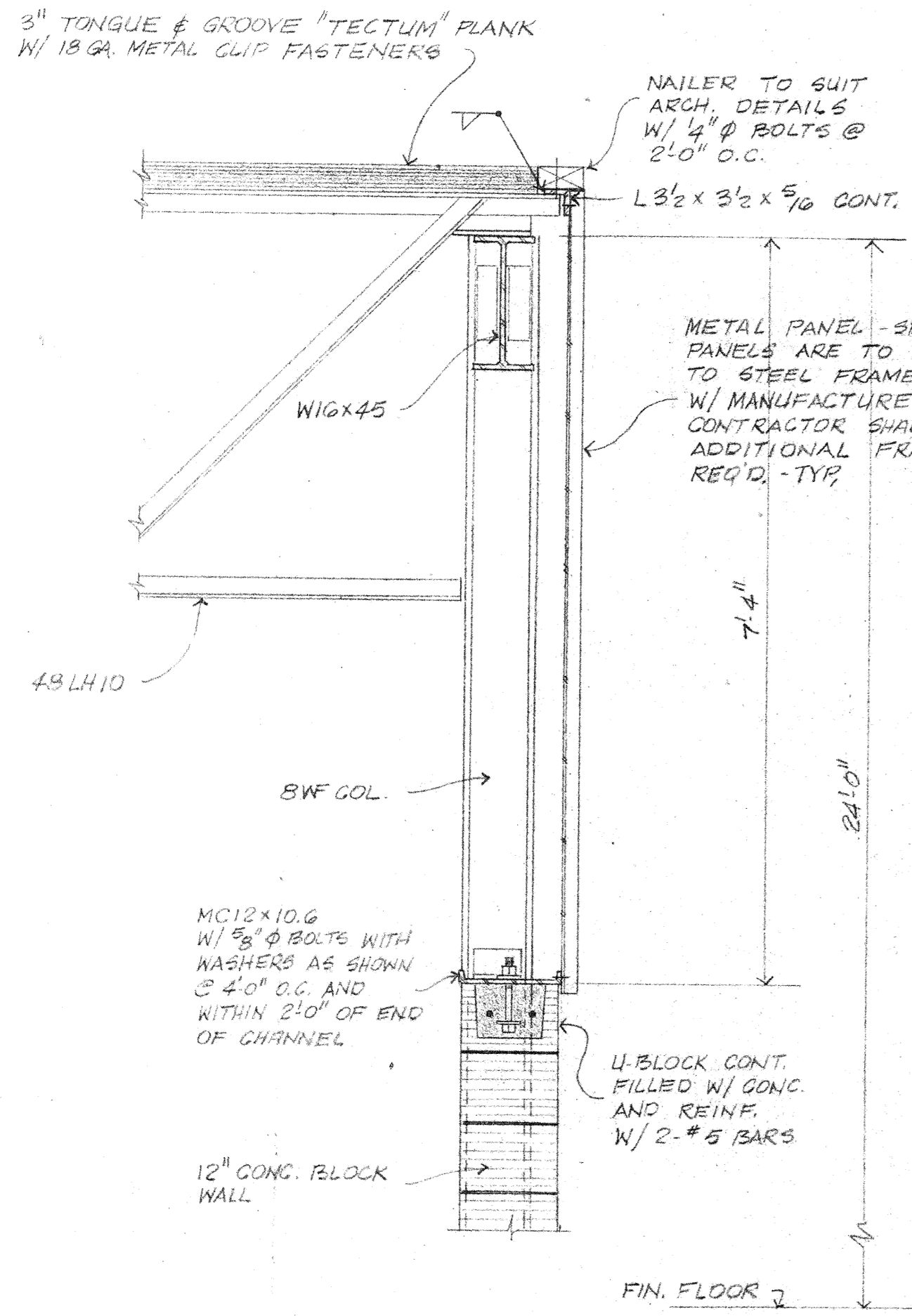
project no.	5-403
drawn	MJP
checked	
date	2-7-53
revised	

HAMILTON, MEYER and ASSOCIATES, INC.
ARCHITECT and ENGINEER

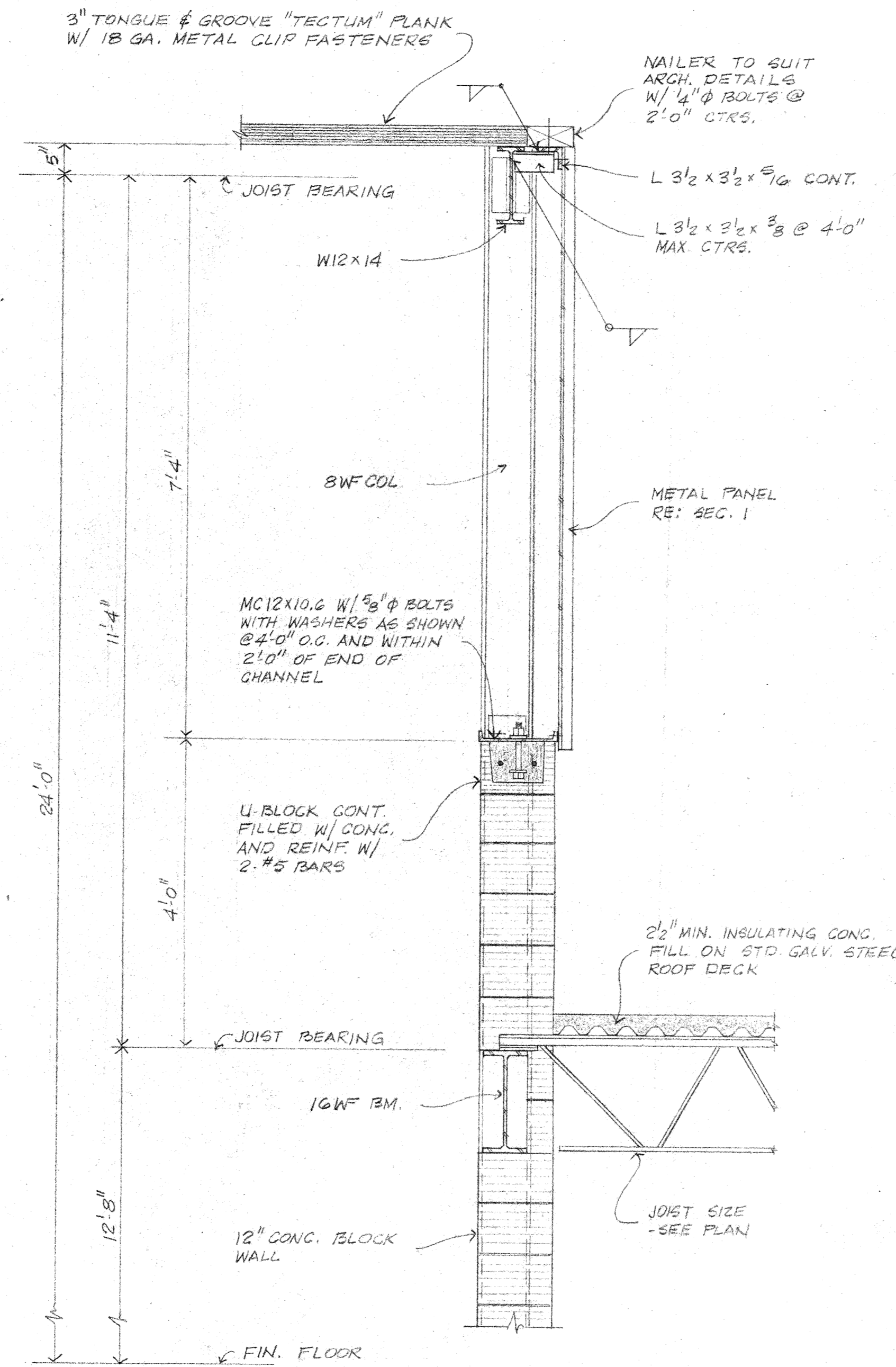
GYMNASIUM FRAMING DETAILS
ADDITIONS TO BOYET JUNIOR HIGH SCHOOL
SLIDELL, LOUISIANA
ST. TAMMANY PARISH SCHOOL BOARD, OWNER



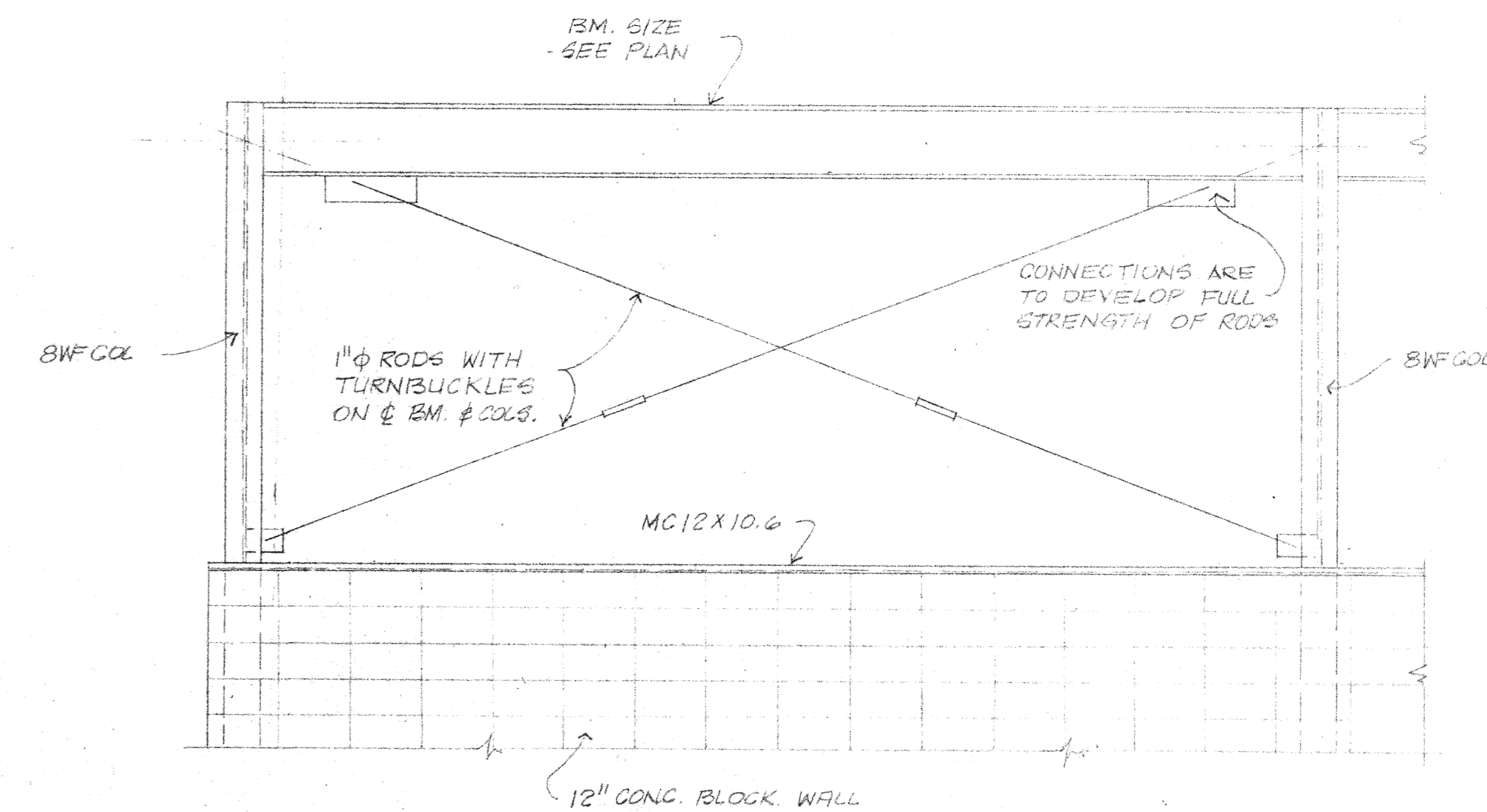
PERRAULT & PERRAULT
CONSULTING ENGINEERS
BATON ROUGE, LOUISIANA



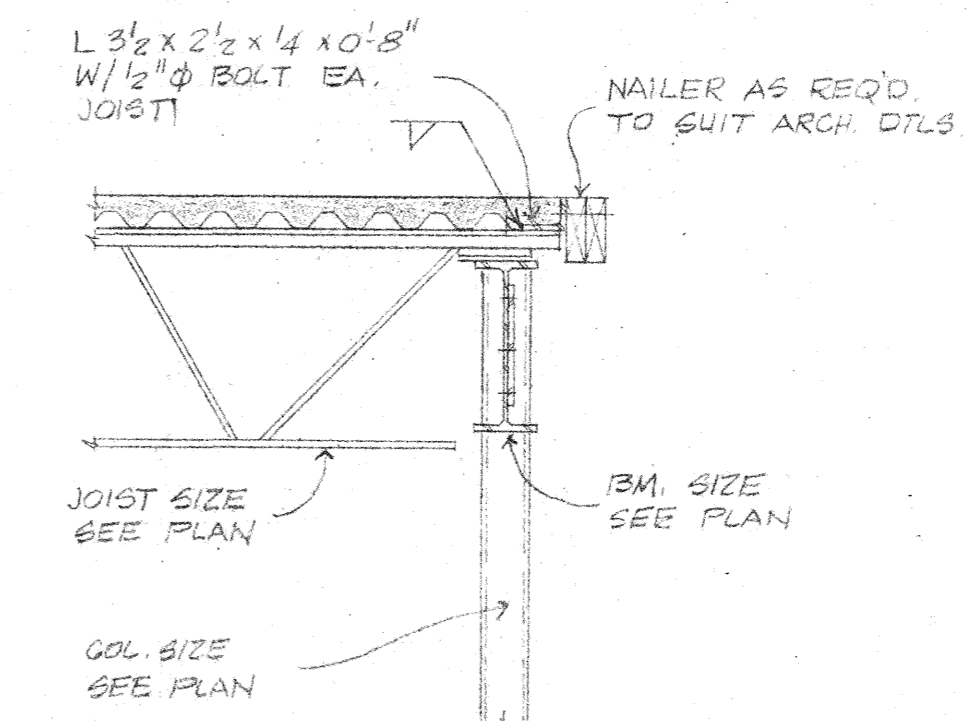
SECTION 1
SCALE: 3/4"=1'-0"
RE: 1-53



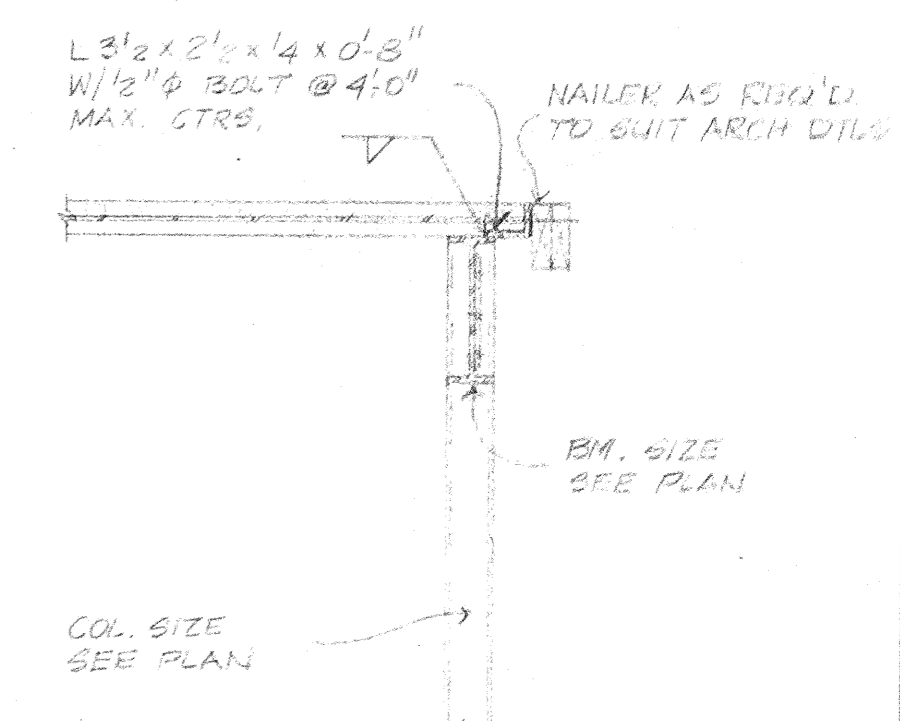
SECTION 2
SCALE: 3/4"=1'-0"
RE: 1-53



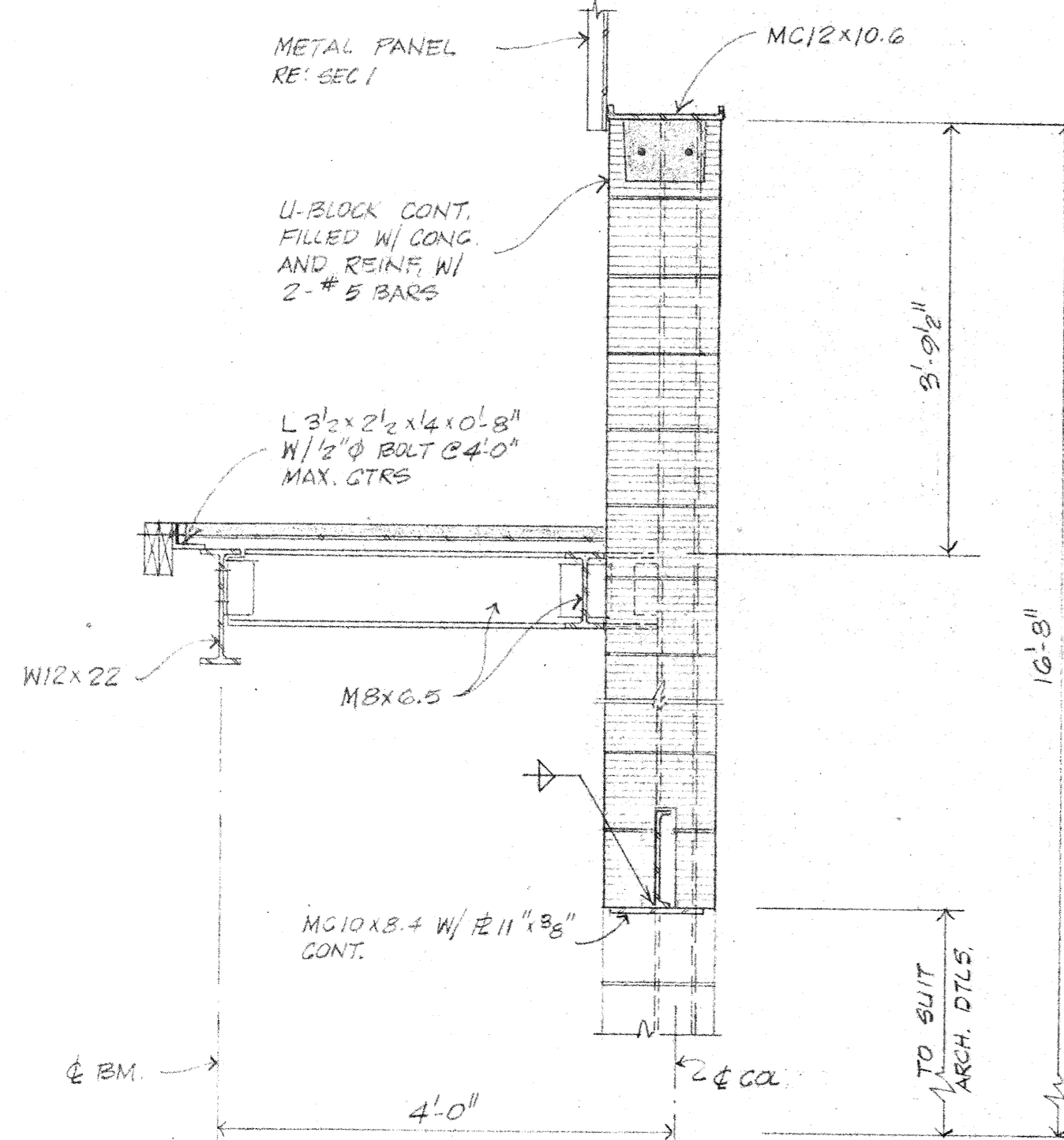
SECTION 3
TYPICAL ELEVATION OF "X" BRACING
NOT TO SCALE
RE: 1-53



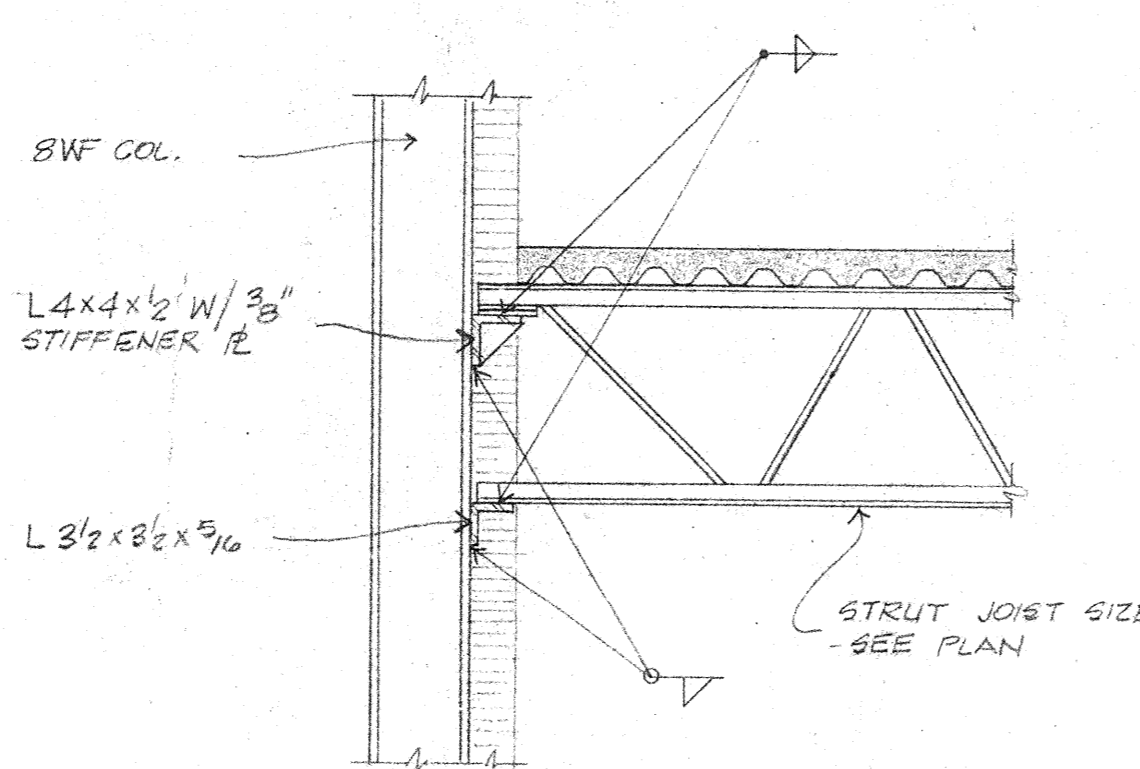
SECTION 4
SCALE: 3/4"=1'-0"
RE: 1-53



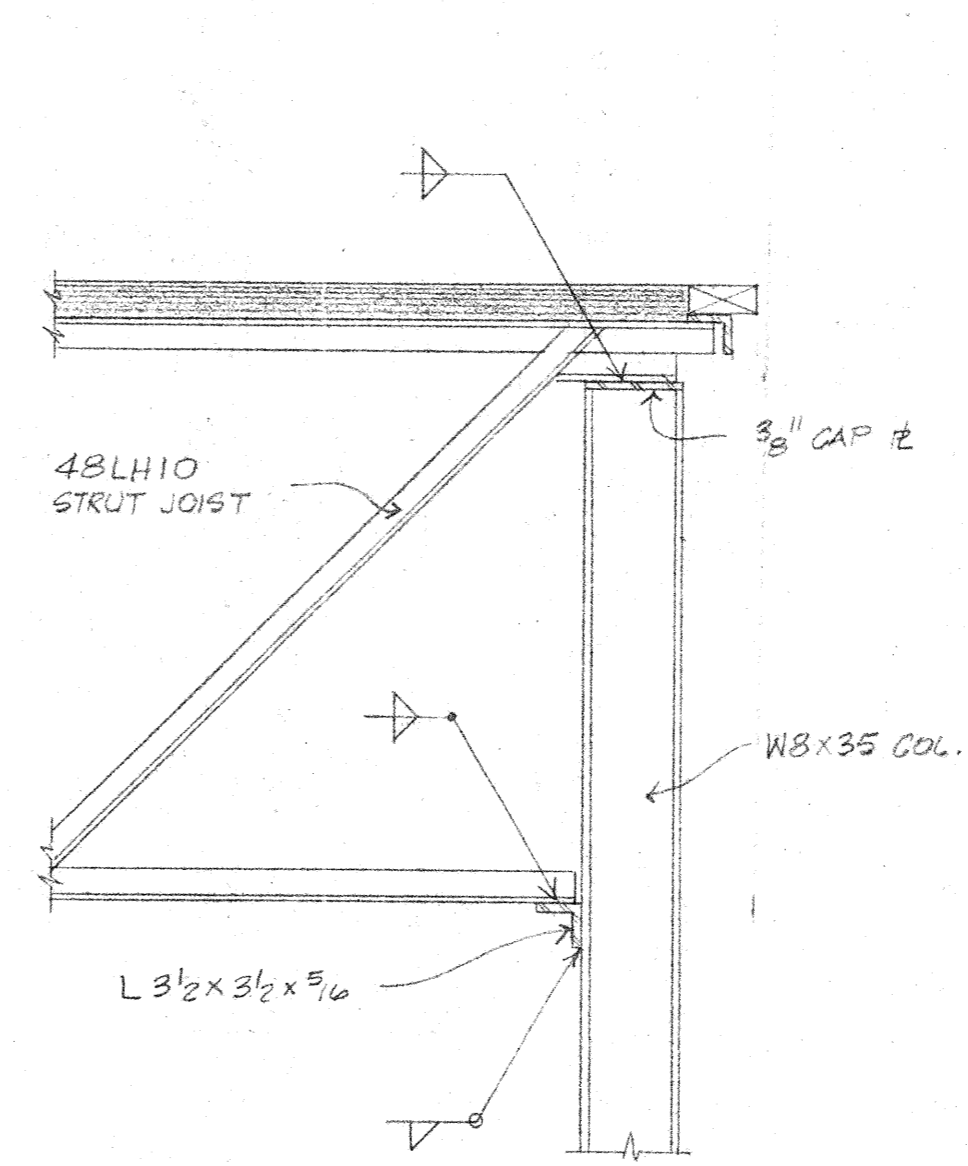
SECTION 5
SCALE: 3/4"=1'-0"
RE: 1-53



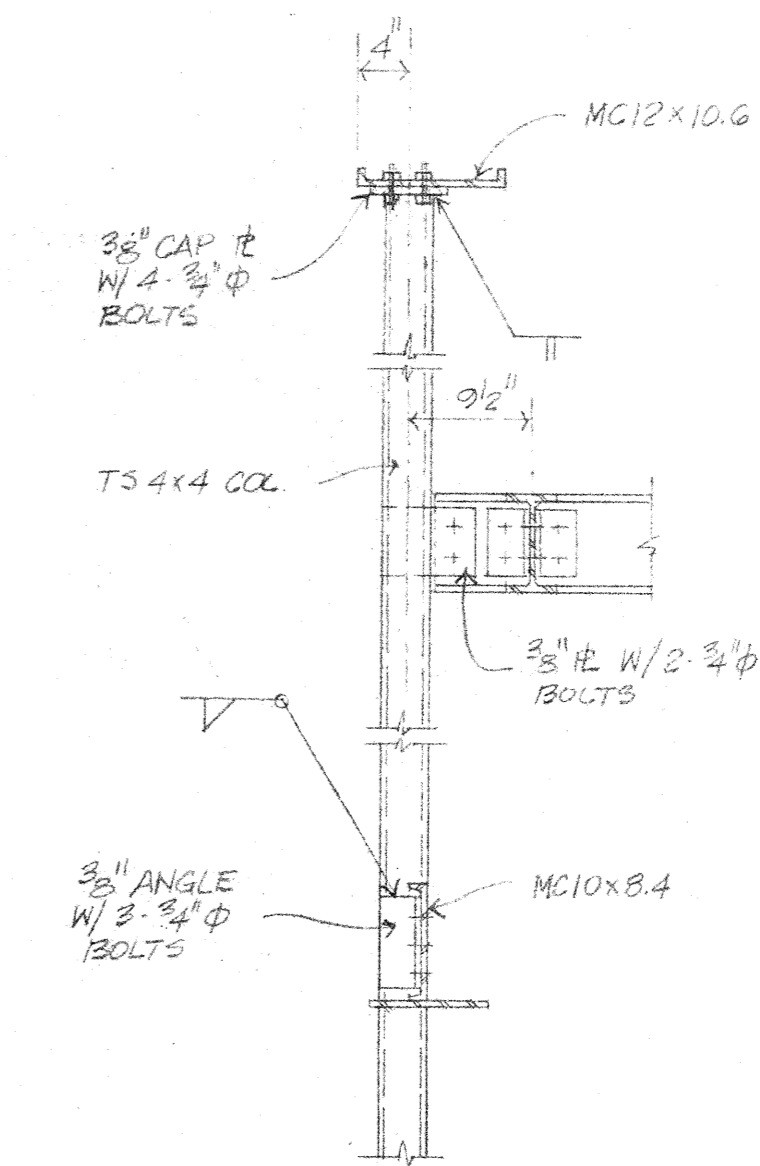
SECTION 6
SCALE: 3/4"=1'-0"
RE: 1-53



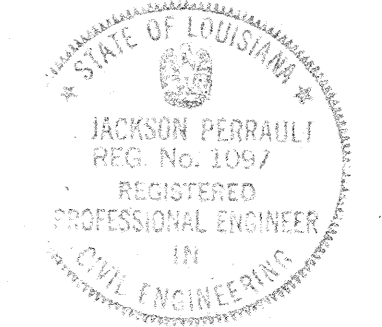
SECTION 7
SCALE: 3/4"=1'-0"
RE: 1-53



SECTION 8
SCALE: 3/4"=1'-0"
RE: 1-53



SECTION 9
SCALE: 3/4"=1'-0"
RE: 1-53



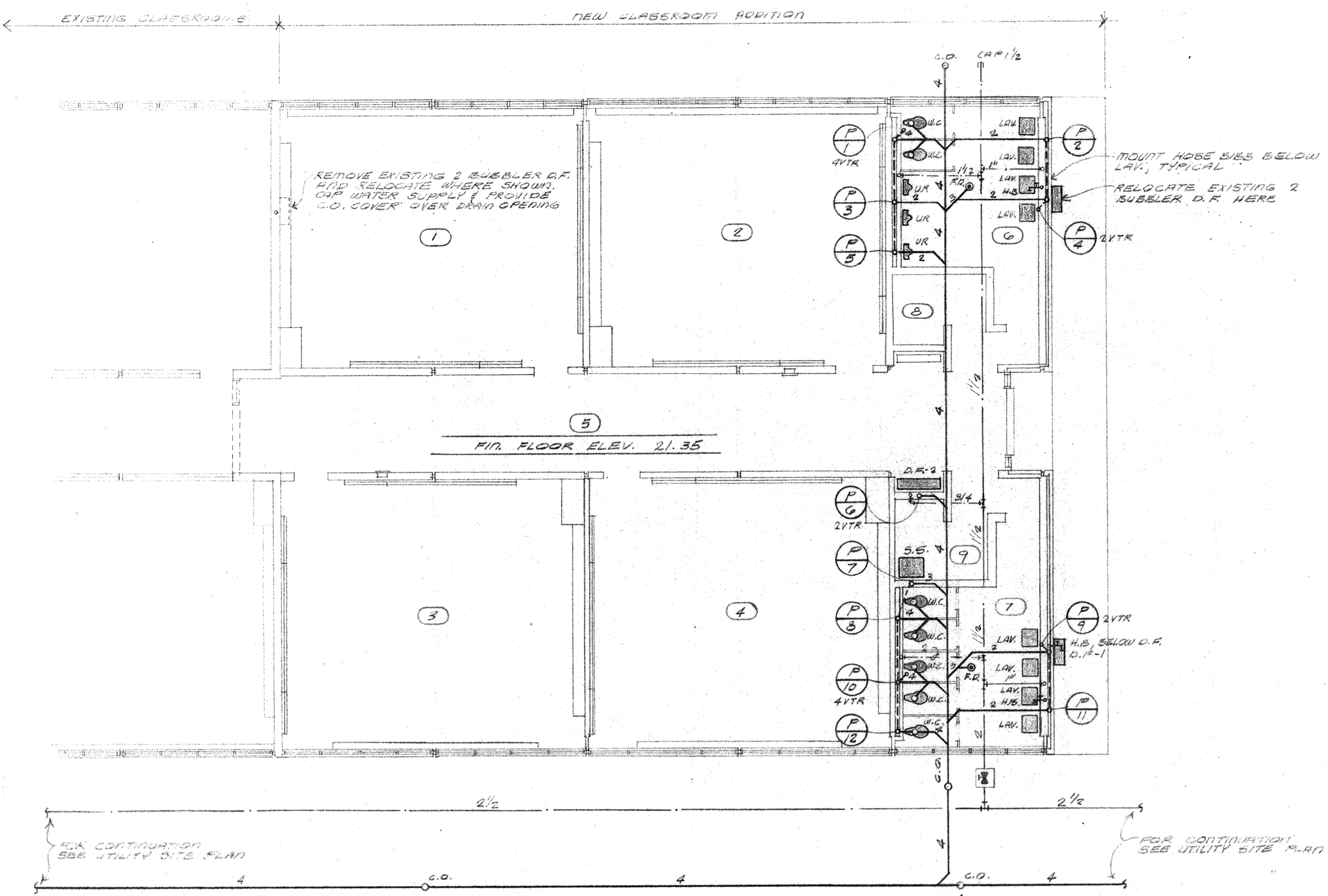
PERRAULT & PERRAULT
CONSULTING ENGINEERS
BATON ROUGE, LOUISIANA

project no.	5-203
drawn	MJP
checked	MJP
date	2-7-53
revised	

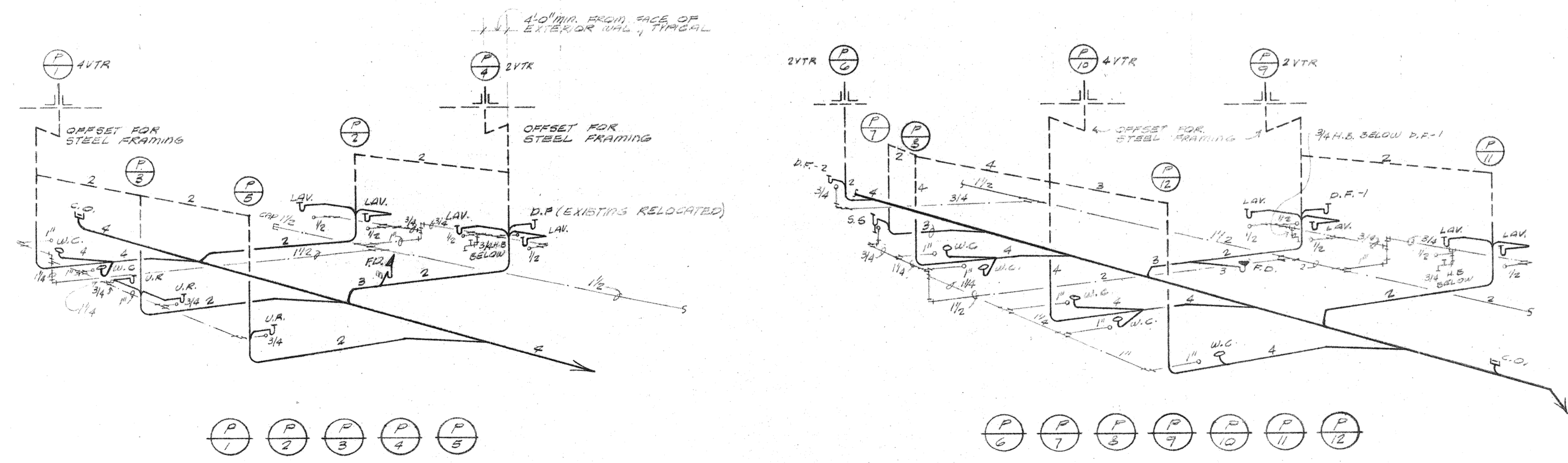
HAMILTON, MEYER and ASSOCIATES, INC.
ARCHITECT and ENGINEER

GYMNASIUM FRAMING DETAILS
ADDITIONS TO BOYET JUNIOR HIGH SCHOOL
SLIDELL, LOUISIANA
ST. TAMMANY PARISH SCHOOL BOARD, OWNER

sheet no.
S-5
of 5 sheets



PLUMBING PLAN - CLASSROOM ADDITION
SCALE: 1/8" = 1'-0"



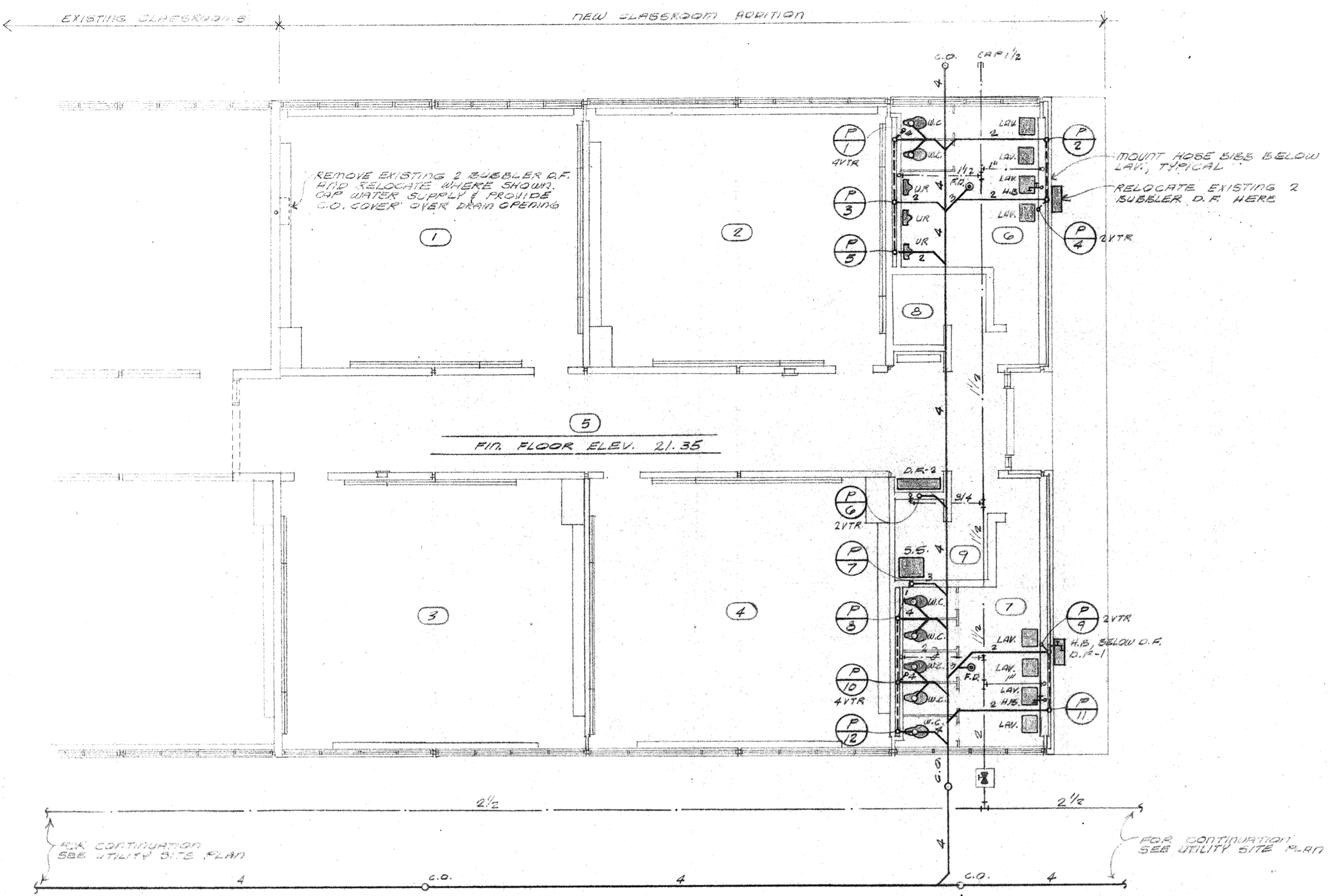
RISER DIAGRAMS
NO SCALE

Project no. 5103
 Drawn U.H.Z.
 Checked A.L.B.
 Date 2-9-75
 Revised

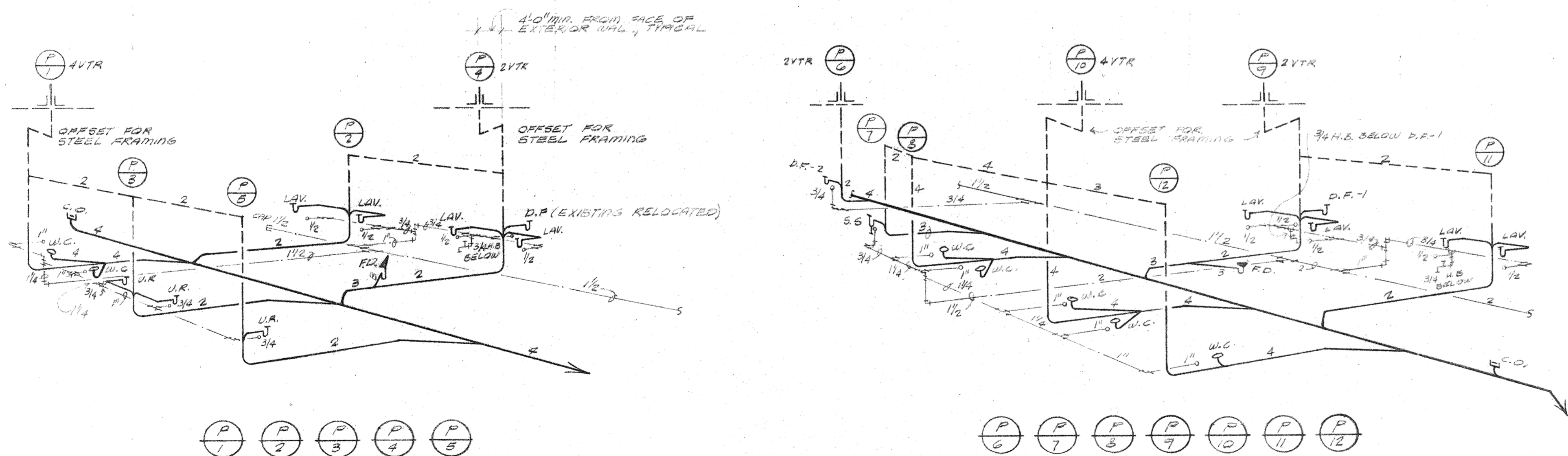
HAMILTON, MEYER and ASSOCIATES, INC.
 ARCHITECT and ENGINEER

PLUMBING PLAN AND RISER DIAGRAMS
 ADDITIONS TO BOYET JUNIOR HIGH SCHOOL
 SLIDELL, LOUISIANA
 ST. TAMMANY PARISH SCHOOL BOARD, OWNER

sheet no. _____
 of _____ sheets



PLUMBING PLAN - CLASSROOM ADDITION
SCALE: 1/8" = 1'-0"



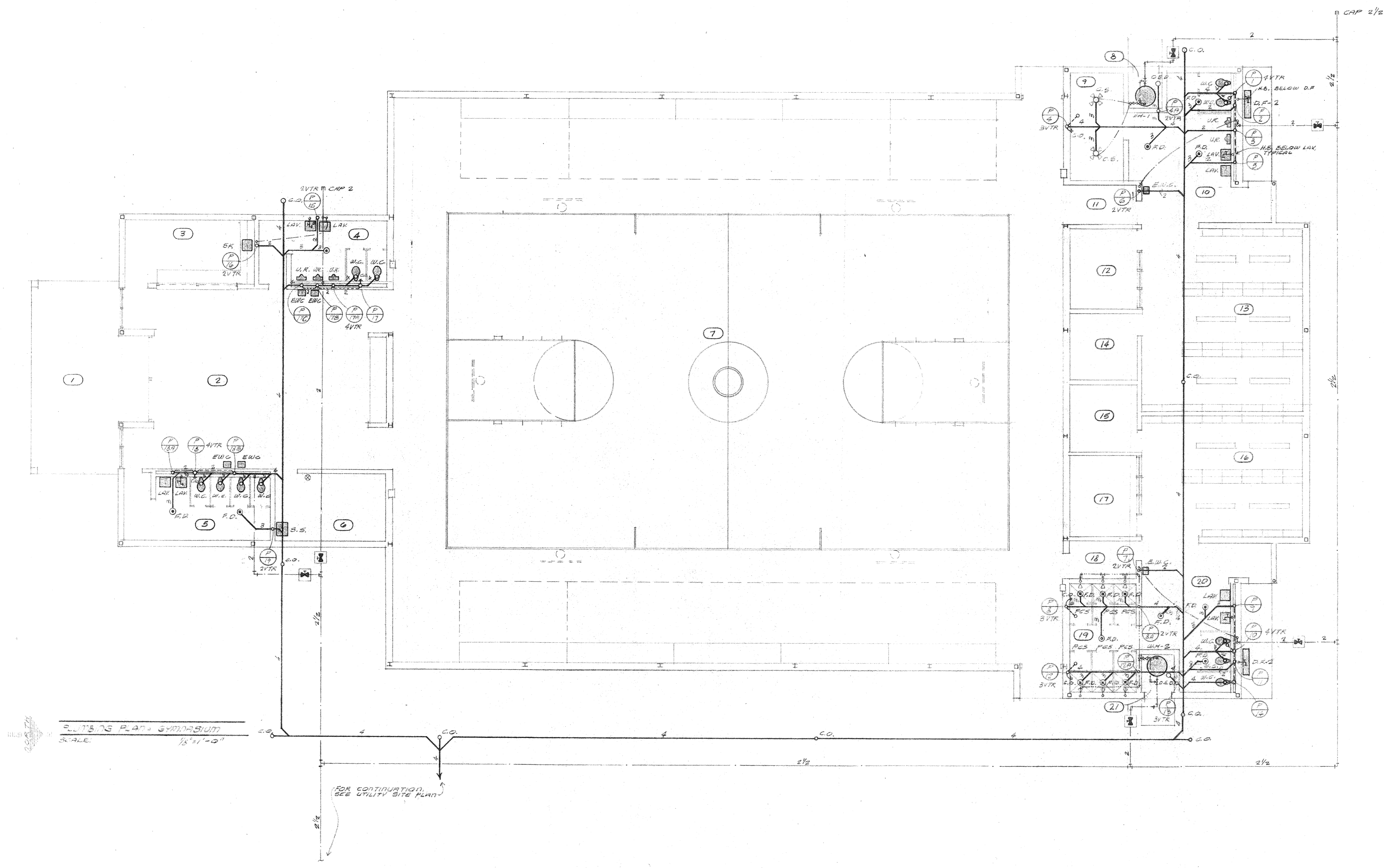
RISER DIAGRAMS
NO SCALE

Project no. 5103
 Drawn U.H.Z.
 Checked A.B.
 Date 2-9-75
 Revised

HAMILTON, MEYER and ASSOCIATES, INC.
 ARCHITECT and ENGINEER

PLUMBING PLAN AND RISER DIAGRAMS
 ADDITIONS TO BOYET JUNIOR HIGH SCHOOL
 SLIDELL, LOUISIANA
 ST. TAMMANY PARISH SCHOOL BOARD, OWNER

sheet no. _____
 of _____ sheets



project no. 5103
 drawn J.H.Z.
 checked K.S.
 date 2-9-73
 revised

HAMILTON, MEYER and ASSOCIATES, INC.
 ARCHITECT and ENGINEER

PLUMBING PLAN - SYMPOSIUM
ADDITIONS TO BOYET JUNIOR HIGH SCHOOL
 SLIDELL, LOUISIANA
 ST. TAMMANY PARISH SCHOOL BOARD, OWNER

sheet no. _____
 of _____ sheets

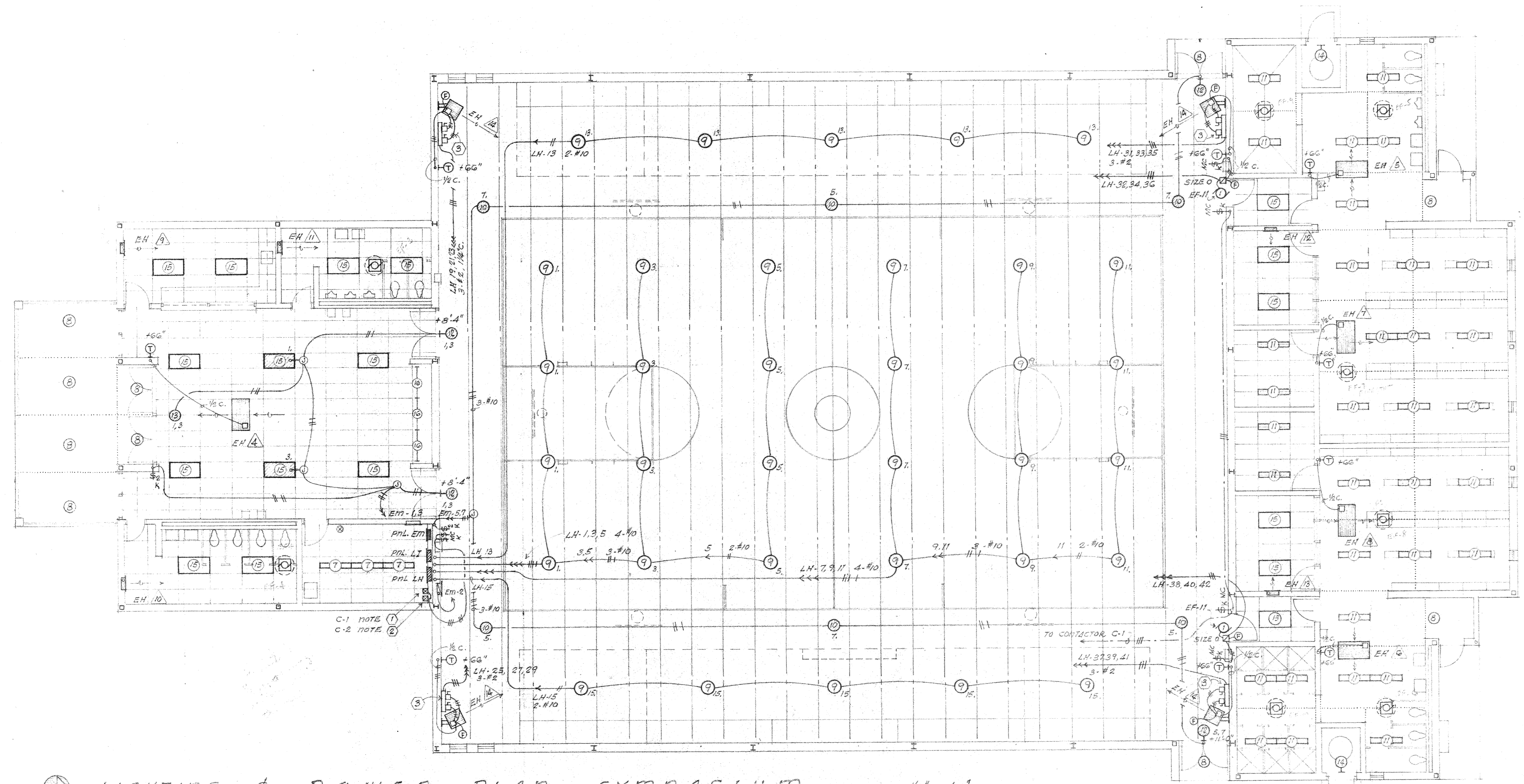
FOR EXHAUST FANS MARK EF-3, 4, 5, 6, 9 AND 10:
 PROVIDE 14" x 14" EXHAUST REGISTER IN CEILING, CONNECT TO
 12" x 12" EXHAUST DUCT AND EXTEND TO EF ON ROOF.

FOR EXHAUST FAN MARK EF-7:
 PROVIDE 18" x 18" EXHAUST REGISTER IN CEILING, CONNECT TO
 16" x 16" EXHAUST DUCT AND EXTEND TO EF ON ROOF.

FOR EXHAUST FAN MARK EF-8:
 PROVIDE 16" x 16" EXHAUST REGISTER IN CEILING, CONNECT TO
 14" x 14" EXHAUST DUCT AND EXTEND TO EF ON ROOF.

project no. 5108
 drawn _____
 checked _____
 date _____
 revised _____

- NOTES:
- PROVIDE ASCO #1255-JGG RC (#1G60-C) LIGHTING CONTACTOR FOR CONTROL OF CUTS. LH-13, 5, 7, 9 & 11. CONTACTOR IS 6 POLE N.O., 600 V. 25 A. PER POLE. 120V. CONTROL Ckt. ASMA 1 ENCLOSURE. MOUNT 8" O" ABOVE FLOOR. CONTROL W/ 5/16" FROM 3 POINTS.
 - PROVIDE ASCO #1255-JGG RC (#1G60-C) SAME AS ABOVE EXCEPT 2 P. N.O. FOR CONTROL OF CUTS. LH-13 & 15. CONTROL FROM 1 POINT.
 - SPLIT Ckt. SUPPLYING EH 14 INTO TWO Ckts. RUN MAIN Ckt. TO 2" x 4" x LENGTH AS REQ'D. WRING TROUGH W/ TWO 60 A. 3P. D.S. W/ 3-6G FROM EACH D.S. CONNECT FIBERSTAT TO BREAK LINE OF THERMOSTAT. MOUNT TROUGH AT HEATER MOUNTING HEIGHT.



LIGHTING & POWER PLAN - GYMNASIUM - SCALE: 1/8" = 1'-0"

NOTE: PRIOR APPROVAL REQUIRED FOR ANY SUBSTITUTION.

LIGHT		FIXTURE		SCHEDULE		REMARKS
NO.	MANUFACTURER	CATALOG NO.	LAMPS	MOUNTING	VOLTAGE	
1	LITHONIA	STC-240M-PL	4-F40 T12 CW	C	120	8" TANDUM 1/2" x 1/2" PLASTIC LAMPER, METAL SIDES, 1/2" STEM & HANGER SET, L.A. BOARD OF HEALTH APPROVED.
2	"	CT-240M-PL	2-F40 T12 CW	C	120	SAME AS FIXTURE 1 EXCEPT 4' LONG.
3	"	BTCB-240-A	4-F40 T12 CW	C	120	7" WIDE x 8" TANDUM WRAP AROUND UNIT WITH CLEAR ACRYLIC PRISMATIC DIFFUSER.
4	"	CB-240-A	2-F40 T12 CW	C	120	SAME AS FIXTURE 3 EXCEPT 4' LONG.
5	"	CB-140-A	1-F40 T12 CW	C	120	SAME AS FIXTURE 4 EXCEPT SINGLE LAMP UNIT.
6	PRESOLITE	CF-28-LEX	1-100 W A19 IF	C	120	LEXAN DIFFUSER, ALU. TRIM
7	LITHONIA	C-240	2-F40 T12 CW	C	120	4' CHANNEL STRIP
8	LIGHTING EQUIP.	10-112-PK	1-150W A23 IF	C	120	INC. PRE-WIRED DOWNLIGHT WITH SPREAD TRIM AND PLASTIC PRIMATE.
9	LITHONIA HI-TEK DIV.	TH-400-H-ALW	1-1" 400-C-3U HOR METALARC	C	120	WIDE SPREAD DISC. FOR GYM APPLICATION, W/ WEA-13 WIRE GUARD, WHITE CYLINDRICAL DECORATIVE SHADE, 1/2" SWIVEL STEM.
10	VISA	900G	1-300W R40-FL	C	120	8" x 16" LONG PENDANT CYLINDER, 8" SWIVEL STEM, WITH RECTIFIER Ckt., WHITE FINISH.
11	LITHONIA	DV-240-DR	2-F40 T12 CW	C	120	WATERPROOF UNIT WITH CLEAR ACRYLIC ALEXIGLAS DIFFUSER.
12	PERFECTITE	P-33G-EM	4-C7-7W INC.	C	120	RECESSED WALL MOUNT, 6" WHITE LETTERS ON GREEN PLEXIGLAS, NO ARROWS, WIRED FOR 2 CUTS.
13	"	P-37G-EM	4-C7-7W INC.	C	120	CEILING MOUNT, 6" WHITE LETTERS ON GREEN PLEXIGLAS, NO ARROWS, SINGLE FACE, WIRED FOR 2 CUTS.
14	P & S	4057	1-150W A23 IF	C	120	KEYLESS PORCELAIN RECEPTACLE
15	LITHONIA	EG-440-A12	4-F40 T12 CW	C	120	2' x 4' LAY IN TROFFER, HINGED AND LATCHED STEEL DOOR, AIR ACRYLIC PRISMATIC DIFFUSER.
16	WAGNER WOODRUFF	ET299/48	1-F40 T12 CW	C	120	4' LONG CHANNELITE STRIP

MOUNTING: C= CEILING OR SURFACE; W= WALL; R= RECESSED; P= PENDANT
 * 60,000 HOUR LAMP LIFE
 * 1/2" LONG HANGER STEM SPECIFIED, MATCH EXISTING MOUNTING HEIGHT, STEM SETS MAY BE SHORTER, V.O.D.

ELECTRIC HEATER SCHEDULE (CONTINUED FROM SHEET E-1)

MARK	CATALOG NO.	KW	VOLTAGE & PHASE	NO. OF STEPS	CFM	FAN HP	AREA SERVED	NON ELECTRICAL ACCESSORIES	REMARKS
EH 14	CUC-578-222G	10	208 V. 3φ	2	500	1/20	LOBBY (2)		27" LONG CEILING MOUNT (RECESSED) UNIT HEATER, FOR SINGLE 60" BOTTOM INLET, REMOTE 1/2" TERPROOF WALL THERMOSTAT & 1/2" POWER RELAY, AND MOTOR WIRED THRU 450V. Ckt. WITH CIRCUIT BREAKER.
EH 15	CUC-578-222G	4	208 V. 3φ	2	500	1/20	BOYS DRY-OFF (10)		SAME AS EH 14
EH 16	CUC-578-222G	4	208 V. 3φ	2	500	1/20	GIRLS DRY-OFF (20)		SAME AS EH 14
EH 17	CUC-578-232G	6	208 V. 3φ	2	500	1/20	BOYS LOCKERS (3)		SAME AS EH 14
EH 18	CUC-578-222G	4	208 V. 3φ	2	500	1/20	GIRL LOCKERS (16)		SAME AS EH 14
EH 19	RSF-430-S	3	208 V. 1φ	1	170	1/40	CONCESSIONS (3)	RA-AC-3 RECESS WALL BOX	WALL MOUNT UNIT HEATER, RECESS MOUNT WITH DISCONNECT SWITCH AND INTEGRAL THERMOSTAT, MOUNT BOTTOM 8" ABOVE FLOOR.
EH 20	RSF-430-S	3	208 V. 1φ	1	170	1/40	WOMEN'S RESTROOM (5)		SAME AS EH 19
EH 21	RSF-420-S	2	208 V. 1φ	1	170	1/40	MEN'S RESTROOM (4)		SAME AS EH 19
EH 22	RSF-415-S	1.5	208 V. 1φ	1	170	1/40	OFFICE (12)		SAME AS EH 19
EH 23	RSF-415-S	1.5	208 V. 1φ	1	170	1/40	OFFICE (17)		SAME AS EH 19
EH 24	LH-30-01	30	208 V. 3φ	2	155	.004	GYMNASIUM (17)	W/ H-03 WALL SWIVEL MOUNTING BRACKET	HORIZONTAL UNIT HEATER, 2 STAGES REMOTE 1/2" TERPROOF WALL THERMOSTAT, 1/4" HEATER RECD. TUBES EH 14, MOUNT BOTTOM 3P HEATER UP 18"-2"

NOTE: FURNISH CLEAR PLASTIC GUARDS WITH LOCK FOR ALL REMOTE WALL THERMOSTATS.

EXHAUST FAN SCHEDULE

MARK	AREA SERVED	MFG.	CATALOG NO.	CFM	S.P.	H.P.	R.P.M.	VOLTAGE & PHASE	SONES	REMARKS
EF-1	BOYS RESTROOM 6	ACME	PR 73	485	18"	140	1300	115 V. 1φ	3.9	AUTOMATIC BACKDRIFT DAMPER, BIRDSCREEN AND SAFETY DISCONNECT.
EF-2	GIRLS RESTROOM 7	"	PR 73	485	18"	140	1300	115 V. 1φ	3.9	"
EF-3	MEN'S RESTROOM 4	"	PR 73	365	18"	140	1070	115 V. 1φ	3.0	"
EF-4	WOMEN'S R.R. 5	"	PR 73	485	18"	140	1300	115 V. 1φ	3.9	"
EF-5	BOYS DRY-OFF 10	"	PR 73	485	18"	140	1300	115 V. 1φ	3.9	"
EF-6	GIRLS DRY-OFF 20	"	PR 73	485	18"	140	1300	115 V. 1φ	3.9	"
EF-7	BOYS LOCKERS 13	"	PR 11 CG	1340	18"	18	1160	115 V. 1φ	9.0	FIRESTAT REQ'D.
EF-8	GIRLS LOCKERS 16	"	PR 9 AG	845	18"	18	1160	115 V. 1φ	4.6	FIRESTAT REQ'D.
EF-9	BOYS SHOWERS 9	"	PR 73	485	18"	140	1300	115 V. 1φ	3.9	SAME AS EF-1 EXCEPT WITH ALKALYD BAKED ENAMEL FINISH.
EF-10	GIRLS SHOWERS 19	"	PR 73	485	18"	140	1300	115 V. 1φ	3.9	"
EF-11	GYM 7	"	DC 42 J	16400	18"	1	435	208 V. 3φ	14.9	PROPELLER WALL FAN (2 REQ'D.) WITH SAFETY GUARD #WUC25DC WALL COLLAR #WH 46-46 HEAVY DUTY AUTOMATIC W/CL. SHUTTER, 5/16" x 3/8" GREEN, FIRESTAT REQ'D.

HAMILTON, MEYER and ASSOCIATES, INC.
 ARCHITECT and ENGINEER

ADDITIONS TO BOYET JUNIOR HIGH SCHOOL
 SLIDELL, LOUISIANA
 ST. TAMMANY PARISH SCHOOL BOARD, OWNER

sheet no. E-1
 of 5 sheets

FOR EXHAUST FANS MARK EF-3, 4, 5, 6, 9 AND 10:
 PROVIDE 14" x 14" EXHAUST REGISTER IN CEILING, CONNECT TO
 12" x 12" EXHAUST DUCT AND EXTEND TO EF ON ROOF.

FOR EXHAUST FAN MARK EF-7:
 PROVIDE 18" x 18" EXHAUST REGISTER IN CEILING, CONNECT TO
 16" x 16" EXHAUST DUCT AND EXTEND TO EF ON ROOF.

FOR EXHAUST FAN MARK EF-8:
 PROVIDE 16" x 16" EXHAUST REGISTER IN CEILING, CONNECT TO
 14" x 14" EXHAUST DUCT AND EXTEND TO EF ON ROOF.

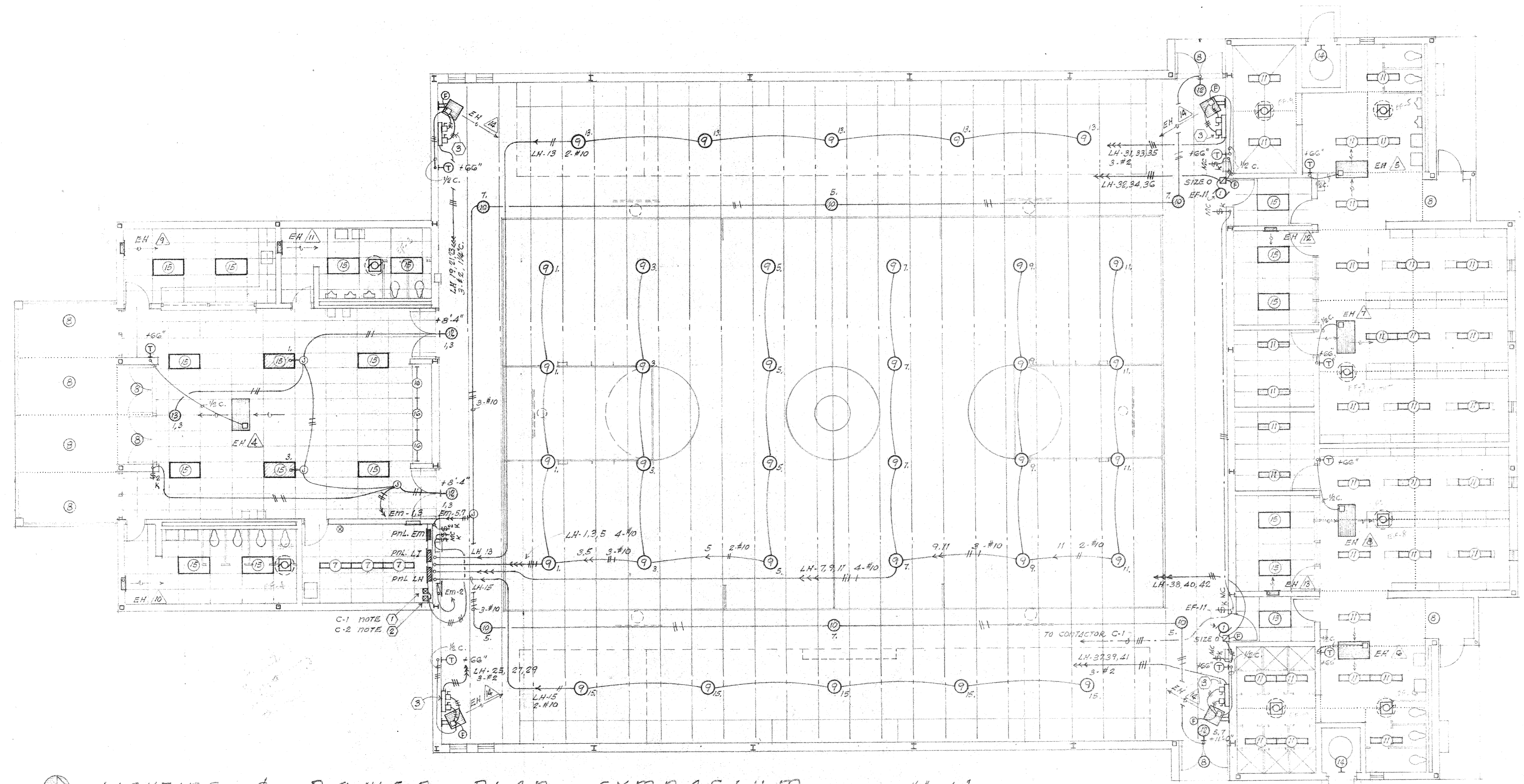
- NOTES:
- PROVIDE ASCO #1255-JGG RC (#1GG20-C) LIGHTING CONTACTOR FOR CONTROL OF CUTS. LH-13, 5, 7, 9 & 11. CONTACTOR IS 6 POLE N.O., 600 V. 25 A. PER POLE. 120V. CONTROL Ckt. ASMA 1 ENCLOSURE. MOUNT 8" x 8" ABOVE FLOOR. CONTROL W/ 5/16" FROM 3 POINTS.
 - PROVIDE ASCO #1255-JGG RC (#1GG20-C) SAME AS ABOVE EXCEPT 2 P. N.O. FOR CONTROL OF CUTS. LH-13 & 15. CONTROL FROM 1 POINT.
 - SPLIT Ckt. SUPPLYING EH 14 INTO TWO Ckts. RUN MAIN Ckt. TO 2" x 4" x LENGTH AS REQ'D. WRING TROUGH W/ TWO 60 A. 3P. D.S. W/ 3-6G FROM EACH D.S. CONNECT FIBESTAT TO BREAK LINE OF THERMOSTAT. MOUNT TROUGH AT HEATER MOUNTING HEIGHT.

project no. 5108
 drawn _____
 checked _____
 date _____
 revised _____

HAMILTON, MEYER and ASSOCIATES, INC.
 ARCHITECT and ENGINEER

ADDITIONS TO BOYET JUNIOR HIGH SCHOOL
 SLIDELL, LOUISIANA
 ST. TAMMANY PARISH SCHOOL BOARD, OWNER

sheet no. E-1
 of sheets



LIGHTING & POWER PLAN - GYMNASIUM - SCALE: 1/8" = 1'-0"

NOTE: PRIOR APPROVAL REQUIRED FOR ANY SUBSTITUTION.

LIGHT		FIXTURE		SCHEDULE		REMARKS
NO.	MANUFACTURER	CATALOG NO.	LAMPS	MOUNTING	VOLTAGE	
1	LITHONIA	STC-240M-PL	4-F40 T12 CW	C	120	8' TANDUM 1/2" x 1/2" PLASTIC LAMPER, METAL SIDES 16" STEM & HANGER SET, L.A. BOARD OF HEALTH APPROVED.
2	"	CT-240M-PL	2-F40 T12 CW	C	120	SAME AS FIXTURE 1 EXCEPT 4' LONG.
3	"	BTCB-240-A	4-F40 T12 CW	C	120	7" WIDE x 8" TANDUM WRAP AROUND UNIT WITH CLEAR ACRYLIC PRISMATIC DIFFUSER.
4	"	CB-240-A	2-F40 T12 CW	C	120	SAME AS FIXTURE 3 EXCEPT 4' LONG
5	"	CB-140-A	1-F40 T12 CW	C	120	SAME AS FIXTURE 4 EXCEPT SINGLE LAMP UNIT
6	PRESOLITE	CF-28-LEX	1-100 W A19 IF	C	120	LEXAN DIFFUSER, ALU. TRIM
7	LITHONIA	C-240	2-F40 T12 CW	C	120	4' CHANNEL STRIP
8	LIGHTING EQUIP.	10-112-PK	1-150W A23 IF	C	120	INC. PRE-WIRED DOWNLIGHT WITH SPREAD TRIM AND PLASTIC PRIMATE.
9	LITHONIA HI-TEK DIV.	TH-400-H-ALW	1-1" 400-C-3U HOR METALARC	C	120	WIDE SPREAD DISC. FOR GYM APPLICATION, W/ WEA-13 WIRE GUARD, WHITE CYLINDRICAL DECORATIVE SHADE, 1/2" SWIVEL STEM.
10	VISA	900G	1-300W R40-FL	C	120	8" x 16" LONG PENDANT CYLINDER, 8" SWIVEL STEM, WITH RECTIFIER Ckt., WHITE FINISH.
11	LITHONIA	DV-240-DR	2-F40 T12 CW	C	120	WATERPROOF UNIT WITH CLEAR ACRYLIC ALEXIGLAS DIFFUSER.
12	PERFECTITE	P-33G-EM	4-C7-7W INC.	C	120	RECESSED WALL MOUNT, 6" WHITE LETTERS ON GREEN PLEXIGLAS, NO ARROWS, WIRED FOR 2 CUTS.
13	"	P-37G-EM	4-C7-7W INC.	C	120	CEILING MOUNT, 6" WHITE LETTERS ON GREEN PLEXIGLAS, NO ARROWS, SINGLE FACE, WIRED FOR 2 CUTS.
14	P & S	4057	1-150W A23 IF	C	120	KEYLESS PORCELAIN RECEPTACLE
15	LITHONIA	EG-440-A12	4-F40 T12 CW	C	120	2' x 4' LAY IN TROFFER, HINGED AND LATCHED STEEL DOOR, AIR ACRYLIC PRISMATIC DIFFUSER.
16	WAGNER WOODRUFF	ET299/28	1-F40 T12 CW	C	120	4' LONG CHANNELITE STRIP

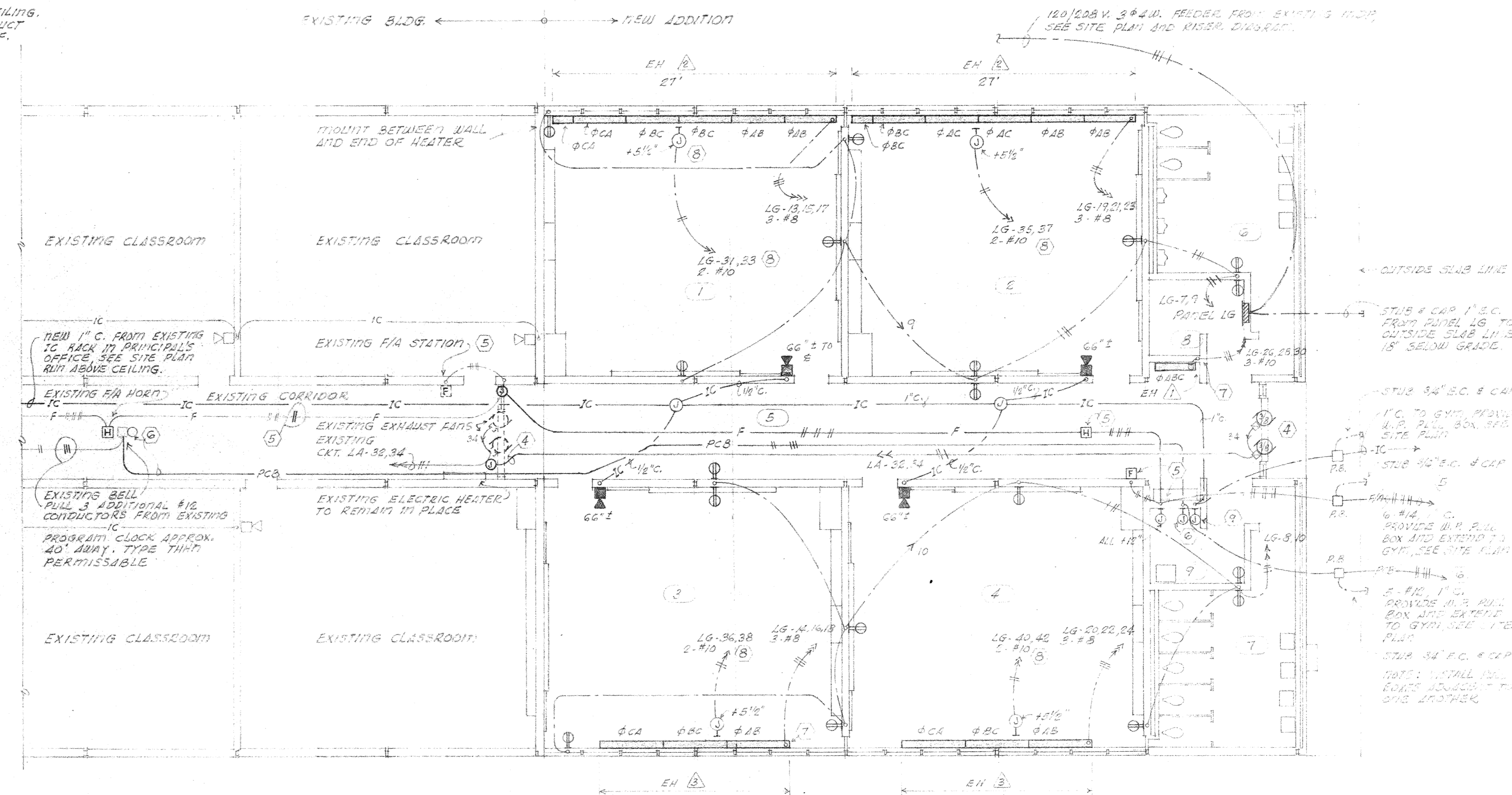
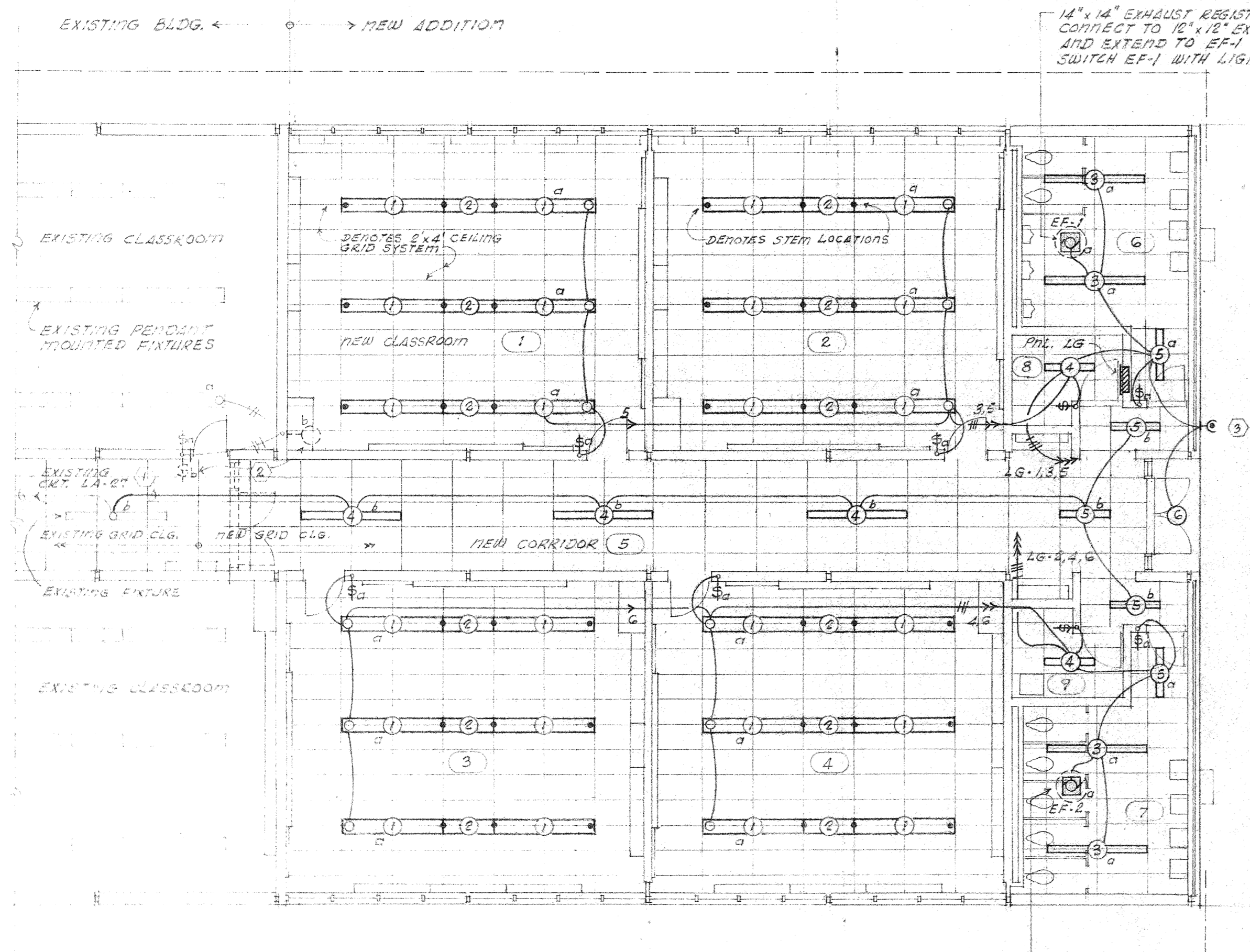
MOUNTING: C= CEILING OR SURFACE; W= WALL; R= RECESSED; P= PENDANT
 * 60,000 HOUR LAMP LIFE
 * 1/2" LONG HANGER STEM SPECIFIED, MATCH EXISTING MOUNTING HEIGHT, STEM SETS MAY BE SHORTER, V.O.D.

ELECTRIC HEATER SCHEDULE (CONTINUED FROM SHEET E-1)									
MARK	CATALOG NO.	KW	VOLTAGE & PHASE	NO. OF STEPS	CFM	FAN HP	AREA SERVED	NON ELECTRICAL ACCESSORIES	REMARKS
EH 14	CUC-578-222G	10	208 V. 3φ	2	500	1/20	LOBBY (2)		21" LONG CEILING HEATER (RECESSED) UNIT HEATER, FOR SINGLE 60" BOTTOM INLET, REMOTE 1/2" TERPROOF WALL THERMOSTAT & 1/2" POWER RELAY, AND MOTOR WIRED THRU HEATING Ckt. WITH CIRCUIT BREAKER.
EH 13	CUC-578-222G	4	208 V. 3φ	2	500	1/20	BOYS DRY-OFF (10)		SAME AS EH 14
EH 12	CUC-578-222G	4	208 V. 3φ	2	500	1/20	GIRLS DRY-OFF (20)		SAME AS EH 14
EH 11	CUC-578-232G	6	208 V. 3φ	2	500	1/20	BOYS LOCKERS (3)		SAME AS EH 14
EH 10	CUC-578-222G	4	208 V. 3φ	2	500	1/20	GIRL LOCKERS (16)		SAME AS EH 14
EH 9	RSF-430-S	3	208 V. 1φ	1	170	1/40	CONCESSIONS (3)	RA-AC-3 RECESS WALL BOX	WALL MOUNT UNIT HEATER, RECESS MOUNT WITH DISCONNECT SWITCH AND INTEGRAL THERMOSTAT, MOUNT BOTTOM 8" ABOVE FLOOR.
EH 8	RSF-430-S	3	208 V. 1φ	1	170	1/40	WOMEN'S RESTROOM (5)		SAME AS EH 9
EH 7	RSF-420-S	2	208 V. 1φ	1	170	1/40	MENS RESTROOM (4)		SAME AS EH 9
EH 6	RSF-415-S	1.5	208 V. 1φ	1	170	1/40	OFFICE (12)		SAME AS EH 9
EH 5	RSF-415-S	1.5	208 V. 1φ	1	170	1/40	OFFICE (17)		SAME AS EH 9
EH 4	LH-30-01	30	208 V. 3φ	2	155	.004	GYMNASIUM (17)	W/ H-03 WALL SWIVEL MOUNTING BRACKET	HORIZONTAL UNIT HEATER, 6" STAIRS REMOTE 1/2" TERPROOF WALL THERMOSTAT, 1/4" HEATER RECD. (MARK EH 14), MOUNT BOTTOM OF HEATER UP 18"-2"

NOTE: FURNISH CLEAR PLASTIC GUARDS WITH LOCK FOR ALL REMOTE WALL THERMOSTATS.

EXHAUST FAN SCHEDULE										
MARK	AREA SERVED	MFG.	CATALOG NO.	CFM	S.P.	H.P.	R.P.M.	VOLTAGE & PHASE	SONES	REMARKS
EF-1	BOYS RESTROOM 6	ACME	PR 73	485	18"	140	1300	115 V. 1φ	3.9	AUTOMATIC BACKDRIFT DAMPER, BIRDSCREEN AND SAFETY DISCONNECT.
EF-2	GIRLS RESTROOM 7	"	PR 73	485	18"	140	1300	115 V. 1φ	3.9	"
EF-3	MENS RESTROOM 4	"	PR 73	365	18"	140	1070	115 V. 1φ	3.0	"
EF-4	WOMENS R.R. 5	"	PR 73	485	18"	140	1300	115 V. 1φ	3.9	"
EF-5	BOYS DRY-OFF 10	"	PR 73	485	18"	140	1300	115 V. 1φ	3.9	"
EF-6	GIRLS DRY-OFF 20	"	PR 73	485	18"	140	1300	115 V. 1φ	3.9	"
EF-7	BOYS LOCKERS 13	"	PR 11 CG	1340	18"	1/8	1160	115 V. 1φ	9.0	FIRESTAT REQ'D.
EF-8	GIRLS LOCKERS 16	"	PR 9 AG	845	18"	1/8	1160	115 V. 1φ	4.6	FIRESTAT REQ'D.
EF-9	BOYS SHOWERS 9	"	PR 73	485	18"	140	1300	115 V. 1φ	3.9	SAME AS EF-1 EXCEPT WITH ALKALYD BAKED ENAMEL FINISH.
EF-10	GIRLS SHOWERS 19	"	PR 73	485	18"	140	1300	115 V. 1φ	3.9	"
EF-11	GYM 7	"	DC 42 J	16400	18"	1	435	208 V. 3φ	14.9	PROPELLER WALL FAN (2 REQ'D.) WITH SAFETY GUARD #WUC25DC WALL COLLAR #WH 46-46 HEAVY DUTY AUTOMATIC W/CL. SHUTTER, 5/16" x 3/8" GREEN, FIRESTAT REQ'D.

PRIOR APPROVAL REQUIRED FOR ANY SUBSTITUTIONS. GYMnasium



LIGHTING & VENTILATION PLAN - CLASSROOM ADDITION
SCALE: 1/8" = 1'-0"

POWER & ELECTRIC HEATING PLAN - CLASSROOM ADDITION
SCALE: 1/8" = 1'-0"

NOTES:

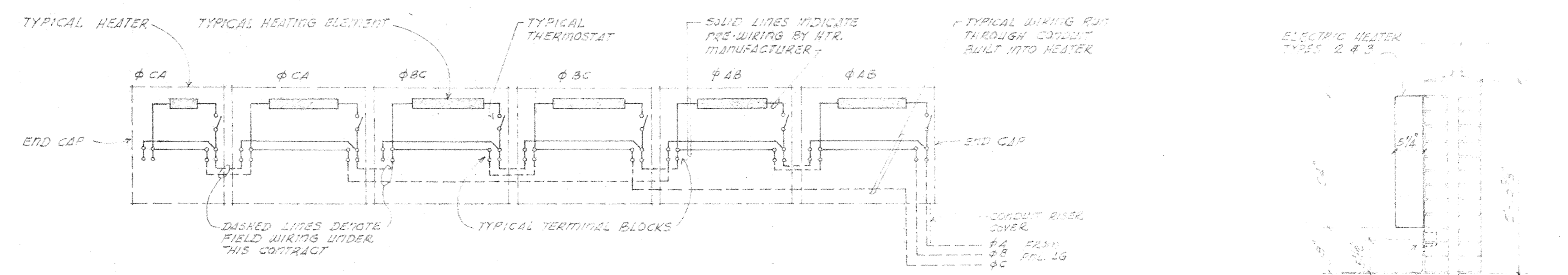
- 1. CONNECT NEW CORRIDOR FIXTURES TO EXISTING CKT. LA-27. EXISTING CORRIDOR FIXTURES ARE CONTROLLED BY SWITCH #6 LOCATED AT EXISTING EAST CORRIDOR ENTRANCE.
- 2. REMOVE EXISTING WALL BRACKET FIXTURE, CONTROLLING SWITCH #6 AND ASSOCIATED WIRING. PROVIDE BLANK COVER AND PLATE TO MATCH EXISTING SURROUNDINGS.
- 3. PROVIDE RECIPIENT MULTIPLE CONTROLS #7.5 PHOTO-ELECTRIC CELL FOR CONTROL OF FIXTURE E. MOUNT APPROX. 10' ABOVE FINISHED GRADE, LOOKING DOWN.

NOTES:

- 1. REMOVE EXISTING EXHAUST FANS, AUTOMATIC SHUTTERS AND OTHER RELATED DEVICES AND RELOCATE AT NEW CORRIDOR ENTRANCE AS SHOWN. PROVIDE ACCESSIBLE JUNCTION BOX AND EXTEND EXISTING CKT. LA-30,34 TO NEW LOCATION. FANS ARE CONTROLLED BY EXISTING MANUAL STARTERS AT PANEL LG LOCATION AT EAST END OF BUILDING. SEE BOOK DETAILS A/9, 14/9 AND 15/3 FOR MOUNTING DETAILS.
- 2. REMOVE EXISTING FIA STATION. PROVIDE BLANK COVER AND RELOCATE AT NEW ENTRANCE AS SHOWN. PROVIDE NEW HOKE AS SHOWN. PROVIDE 6" x 6" x 4" U.B. IN ROOM 9. EXTEND FIA SYSTEM TO GYM AS SHOWN. PULL TWO NEW CONDUCTORS FROM EXISTING FIA HOKE IN EXISTING REARWAY FIA. A TOTAL OF SIX.
- 3. EXTEND EXISTING PROGRAM CLOCK AND BELL SYSTEM FROM EXISTING BELL AS SHOWN. PULL 3 ADDITIONAL #12 CONDUCTORS FROM EXISTING CLOCK. PROVIDE 6" x 6" x 4" U.B. IN ROOM 9. EXTEND TO GYM.
- 4. VERIFY CONDUIT ENTRANCE LOCATIONS TO ELECTRIC HEATERS PRIOR TO ROUGHING-IN.
- 5. PROVIDE OUTLET BOX WITH BLANK COVER, 2" #10 WITH TAPED PISTILLS TO ACCOMMODATE FUTURE A/C WINDOW UNITS. RECEPTACLE AT LATER DATE BY OWNER. MOUNT BELOW ELECTRIC HEATER AND ABOVE RUBBER BASE, UP 5/16"
- 6. SWITCH EXHAUST FANS EF-1 WITH LIGHTS. FANS ARE FURNISHED WITH INTEGRAL DISCONNECT SWITCH.
- 7. EXTEND 1" C. FROM EXISTING INTERCOM RACK IN PRINCIPAL'S OFFICE. PROVIDE 6" x 6" x 4" U.B. IN ROOM 9 AND EXTEND TO GYM.

PANEL LG											
SERVICES		CONN. LOAD	CKT. NO.	TRIP	PHASE	FR. POLE	TRIP	CKT. BKR. NO.	CONN. LOAD	SERVING	
LIGHTING # EF-1	900	1	20	1	90	8	00	1	20	2 750	LIGHTING # EF-2
LIGHTING SOUTHEAST C.R.	1500	3	20	1			1	20	4	1500	LIGHTING NORTHWEST C.R.
LIGHTING SOUTHWEST C.R.	1500	5	20	1			1	20	6	1500	LIGHTING NORTHEAST C.R.
RECEPTACLES	1000	7	20	1			1	20	8	800	RECEPTACLES
RECEPTACLES	800	9	20	1			1	20	10	1000	RECEPTACLES
SPACE ONLY		11	20	1			1	20	12		SPACE ONLY
EH-2 SOUTHWEST C.R.	9450	15	40	3			3	40	16	12600	EH-2 NORTHEAST C.R.
		17							18		
EH-2 SOUTHWEST C.R.	9450	21	40	3			3	40	22	12600	EH-2 NORTHWEST C.R.
		23							24		
SPACE ONLY		25		1					26		SPACE ONLY
SPACE ONLY		27		1				3	28	4200	EH-1 CORR. ENTRANCE
SPACE ONLY		29		1					30		SPACE ONLY
FUTURE A/C SOUTHWEST C.R.	5000	31	30	2	90	8		1	32		SPACE ONLY
		33						1	34		SPACE ONLY
FUTURE A/C SOUTHWEST C.R.	5000	35	30	2	90	8	60	2	36	5000	FUTURE A/C NORTHEAST C.R.
		37					60	2	38	5000	FUTURE A/C NORTHWEST C.R.
SPACE ONLY		39		1					40		FUTURE A/C NORTHWEST C.R.
SPACE ONLY		41		1				2	42	5000	FUTURE A/C NORTHWEST C.R.

A⁰ = 27,050 KW B⁰ = 25,900 KW C⁰ = 26,600 KW TOTAL CONNECTED LOAD = 79,550 KW



CLASSROOM HEATER WIRING DIAGRAM - NO SCALE -

THIS DIAGRAM TYPICAL FOR HEATER #1 IN CLASSROOM 1 AND SHOWS CONNECTION OF HEATERS IN PARALLEL AND IN THREE PHASE DELTA. OTHER CLASSROOM HEATERS SIMILAR.

ELECTRIC HEATER SCHEDULE						
MARK	CATALOG NO.	WATTS/ LIT. FT. UNIT	TOTAL KW	VOLTAGE AND PHASE	NON ELECTRICAL ACCESSORIES	REMARKS
EH 1	(1) CUW-STF-2022	4000	4.0	208V. 3φ	(1) CONDUIT RISER COVER	(1) 41" LONG WALL MOUNT UNIT HEATER, TOP DISCHARGE, FRONT INLET, INTEGRAL THERMOSTAT, THERMAL SWITCH, AUTO RESET, FAN MOTOR W/INTEGRAL HEATING SHT.
EH 2	(5) SLH-517 T # (1) SLH-207 T	350	1750	208V. 1φ	(1) CONDUIT RISER COVER	(5) 6' LONG AND (1) 8' LONG CONVECTION HEATERS, INTEGRAL LINE THERMOSTAT IN EACH UNIT.
EH 3	(3) SLH-642 T	700	4200	208V. 1φ	(1) CONDUIT RISER COVER	(3) 6' LONG CONVECTION HEATERS, INTEGRAL LINE THERMOSTAT IN EACH UNIT.

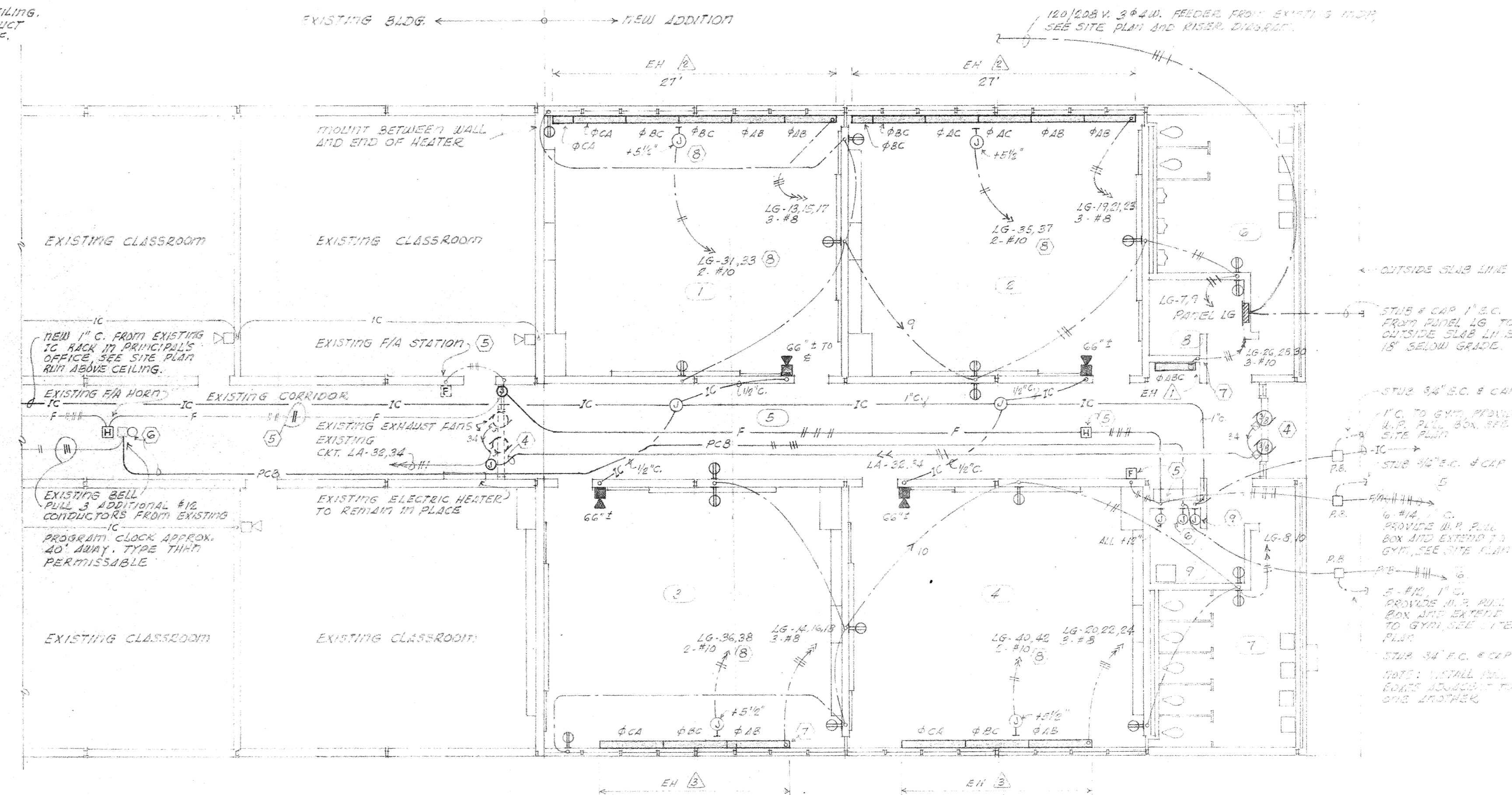
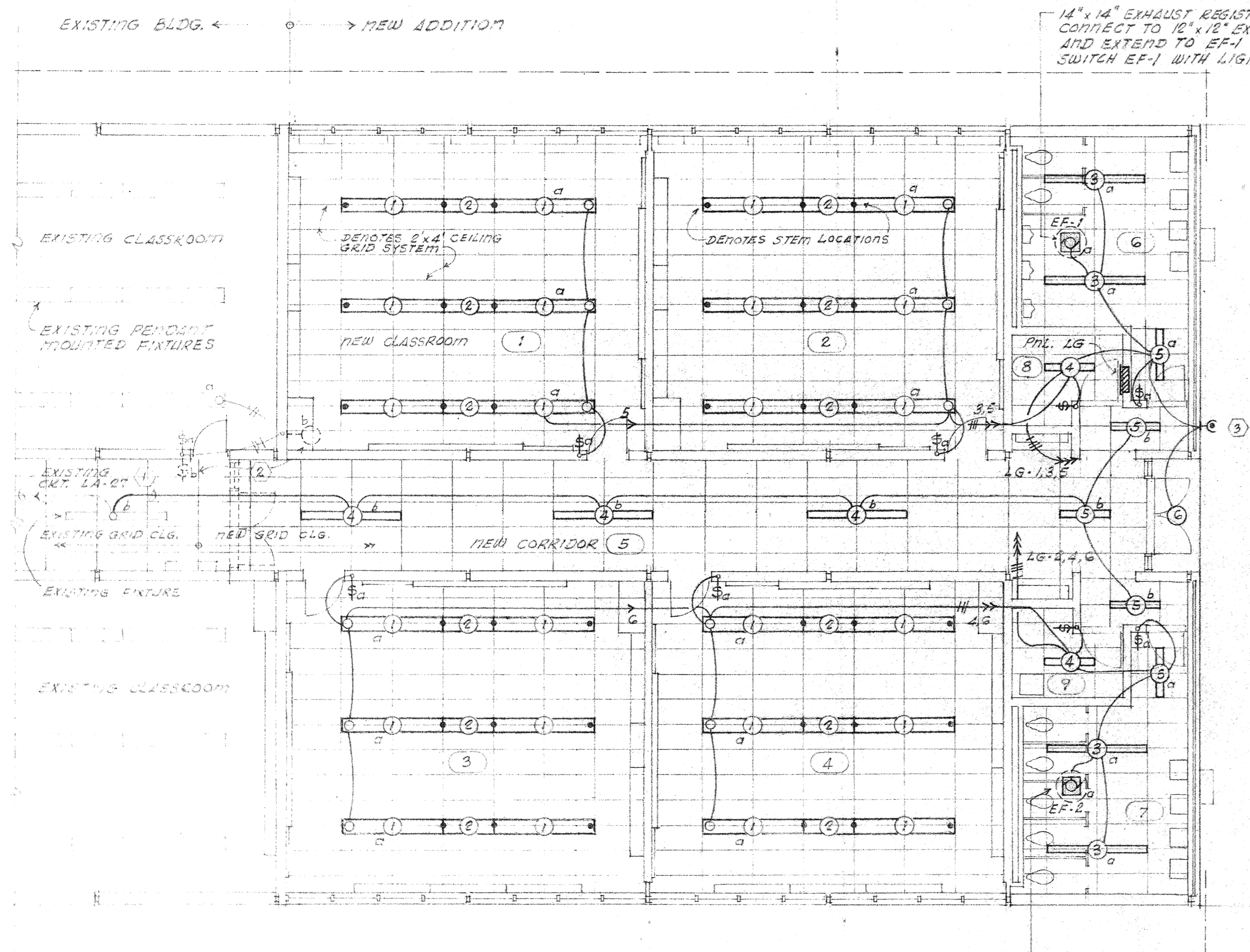
CABINET FINISH AS SELECTED BY ARCHITECT
FOR CONTINUATION OF HEATER SCHEDULES, SEE SHEET E-2
* 2 STEPS; FURNISH WITH CIRCUIT BREAKER & FILTER.

project no. 200-100-100
drawn by J.M.H.
checked by J.M.H.
date 2-9-72
revised

HAMILTON, MEYER and ASSOCIATES, INC.
ARCHITECT and ENGINEER

ADDITIONS TO BOYET JUNIOR HIGH SCHOOL
SLIDELL, LOUISIANA
ST. TAMMANY PARISH SCHOOL BOARD, OWNER

sheet no. _____
of _____ sheets



LIGHTING & VENTILATION PLAN - CLASSROOM ADDITION
SCALE: 1/8" = 1'-0"

POWER & ELECTRIC HEATING PLAN - CLASSROOM ADDITION
SCALE: 1/8" = 1'-0"

NOTES:

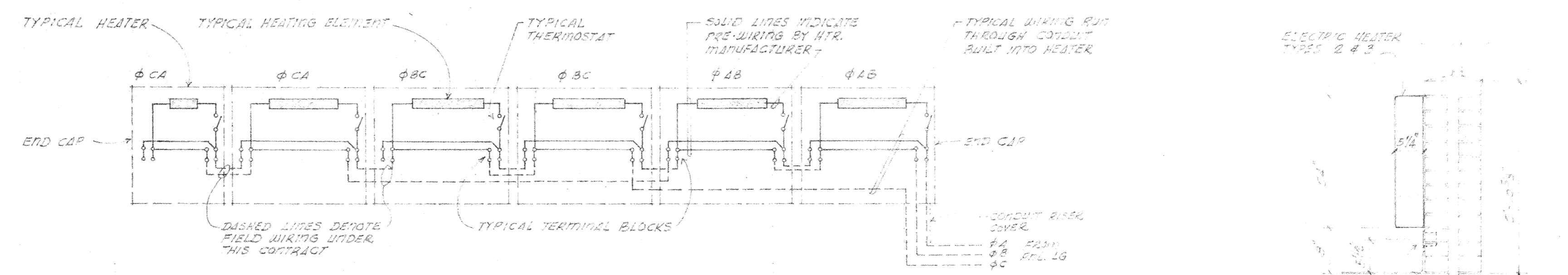
- 1. CONNECT NEW CORRIDOR FIXTURES TO EXISTING CKT. LA-27. EXISTING CORRIDOR FIXTURES ARE CONTROLLED BY SWITCH #6 LOCATED AT EXISTING EAST CORRIDOR ENTRANCE.
- 2. REMOVE EXISTING WALL BRACKET FIXTURE, CONTROLLING SWITCH #6 AND ASSOCIATED WIRING. PROVIDE BLANK COVER AND PLATE TO MATCH EXISTING SURROUNDINGS.
- 3. PROVIDE RECIPIENT MULTIPLE CONTROLS #7.5 PHOTO-ELECTRIC CELL FOR CONTROL OF FIXTURE E. MOUNT APPROX. 10' ABOVE FINISHED GRADE, LOOKING DOWN.

NOTES:

- 4. REMOVE EXISTING EXHAUST FANS, AUTOMATIC SHUTTERS AND OTHER RELATED DEVICES AND RELOCATE AT NEW CORRIDOR ENTRANCE AS SHOWN. PROVIDE ACCESSIBLE JUNCTION BOX AND EXTEND EXISTING CKT. LA-30,34 TO NEW LOCATION. FANS ARE CONTROLLED BY EXISTING MANUAL STARTERS AT PANEL LG LOCATION AT EAST END OF BUILDING. SEE BOOK DETAILS A/9, 14/9 AND 15/3 FOR MOUNTING DETAILS.
- 5. REMOVE EXISTING FIA STATION. PROVIDE BLANK COVER AND RELOCATE AT NEW ENTRANCE AS SHOWN. PROVIDE NEW HOKE AS SHOWN. PROVIDE 6" x 6" x 4" U.B. IN ROOM 9. EXTEND FIA SYSTEM TO GYM AS SHOWN. PULL TWO NEW CONDUCTORS FROM EXISTING FIA HOKE IN EXISTING REARWAY FIA. A TOTAL OF SIX.
- 6. EXTEND EXISTING PROGRAM CLOCK AND BELL SYSTEM FROM EXISTING BELL AS SHOWN. PULL 3 ADDITIONAL #12 CONDUCTORS FROM EXISTING CLOCK. PROVIDE 6" x 6" x 4" U.B. IN ROOM 9. EXTEND TO GYM.
- 7. VERIFY CONDUIT ENTRANCE LOCATIONS TO ELECTRIC HEATERS PRIOR TO ROUGHING-IN.
- 8. PROVIDE OUTLET BOX WITH BLANK COVER, 2" #10 WITH TAPED PISTILLS TO ACCOMMODATE FUTURE A/C WINDOW UNITS. RECEPTACLE AT LATER DATE BY OWNER. MOUNT BELOW ELECTRIC HEATER AND ABOVE RUBBER BASE, UP 5/16"
- 9. SWITCH EXHAUST FANS EF-1 WITH LIGHTS. FANS ARE FURNISHED WITH INTEGRAL DISCONNECT SWITCH.
- 10. EXTEND 1" C. FROM EXISTING INTERCOM RACK IN PRINCIPAL'S OFFICE. PROVIDE 6" x 6" x 4" U.B. IN ROOM 9 AND EXTEND TO GYM.

PANEL LG											
SERVICES		CONN. LOAD	CKT. NO.	TRIP	PHASE	FR. POLE	TRIP	CKT. BKR. NO.	CKT. LOAD	SERVING	
LIGHTING # EF-1	900	1	20	1	90	8	00	1	20	2 750	LIGHTING # EF-2
LIGHTING SOUTHEAST C.R.	1500	3	20	1			1	20	4	1500	LIGHTING NORTHWEST C.R.
LIGHTING SOUTHWEST C.R.	1500	5	20	1			1	20	6	1500	LIGHTING NORTHEAST C.R.
RECEPTACLES	1000	7	20	1			1	20	8	800	RECEPTACLES
RECEPTACLES	800	9	20	1			1	20	10	1000	RECEPTACLES
SPARE		11	20	1			1	20	12		SPARE
EH-2 SOUTHWEST C.R.	9450	15	40	3			3	40	16	12600	EH-2 NORTHEAST C.R.
		17							18		
EH-2 SOUTHWEST C.R.	9450	21	40	3			3	40	22	12600	EH-2 NORTHWEST C.R.
		23							24		
SPACE ONLY		25		1					26		
SPACE ONLY		27		1			3	20	28	4200	EH-1 CORR. ENTRANCE
SPACE ONLY		29		1					30		
FUTURE A/C SOUTHWEST C.R.	5000	31	30	2	90	8		1	32		SPACE ONLY
		33						1	34		SPACE ONLY
FUTURE A/C SOUTHWEST C.R.	5000	35	30	2	90	8	60	2	36	5000	FUTURE A/C NORTHEAST C.R.
		37					60	2	38	5000	FUTURE A/C NORTHWEST C.R.
SPACE ONLY		39		1					40		FUTURE A/C NORTHWEST C.R.
SPACE ONLY		41		1					42		FUTURE A/C NORTHWEST C.R.

A⁰ = 27,050 KW B⁰ = 25,900 KW C⁰ = 26,600 KW TOTAL CONNECTED LOAD = 79,550 KW



CLASSROOM HEATER WIRING DIAGRAM - NO SCALE -

THIS DIAGRAM TYPICAL FOR HEATER #1 IN CLASSROOM 1 AND SHOWS CONNECTION OF HEATERS IN PARALLEL AND IN THREE PHASE DELTA. OTHER CLASSROOM HEATERS SIMILAR.

ELECTRIC HEATER SCHEDULE						
MARK	CATALOG NO.	WATTS/ LMT. FT. UNIT	WATTS/ KW	VOLTAGE AND PHASE	NON ELECTRICAL ACCESSORIES	REMARKS
EH 1	(1) CUW-STF-2022		4000	208V. 3φ		(1) 41" LONG WALL MOUNT UNIT HEATER, TOP DISCHARGE, FRONT INLET, INTEGRAL THERMOSTAT, THERMAL SWITCH, AUTO RESET, FAN MOTOR W/INTEGRAL HEATING SKT.
EH 2	(5) SLH-517 T # (1) SLH-207 T	350	1750 700	208V. 1φ	(2) END CAPS AND (1) CONDUIT RISER COVER	(5) 6' LONG AND (1) 2' LONG CONVECTION HEATERS, INTEGRAL LINE THERMOSTAT IN EACH UNIT.
EH 3	(3) SLH-642 T	700	4200	208V. 1φ	(4) END CAPS AND (1) CONDUIT RISER COVER	(3) 6' LONG CONVECTION HEATERS, INTEGRAL LINE THERMOSTAT IN EACH UNIT.

CABINET FINISH AS SELECTED BY ARCHITECT
FOR CONTINUATION OF HEATER SCHEDULES, SEE SHEET E-2
* 2 STEPS; FURNISH WITH CIRCUIT BREAKER & FILTER.

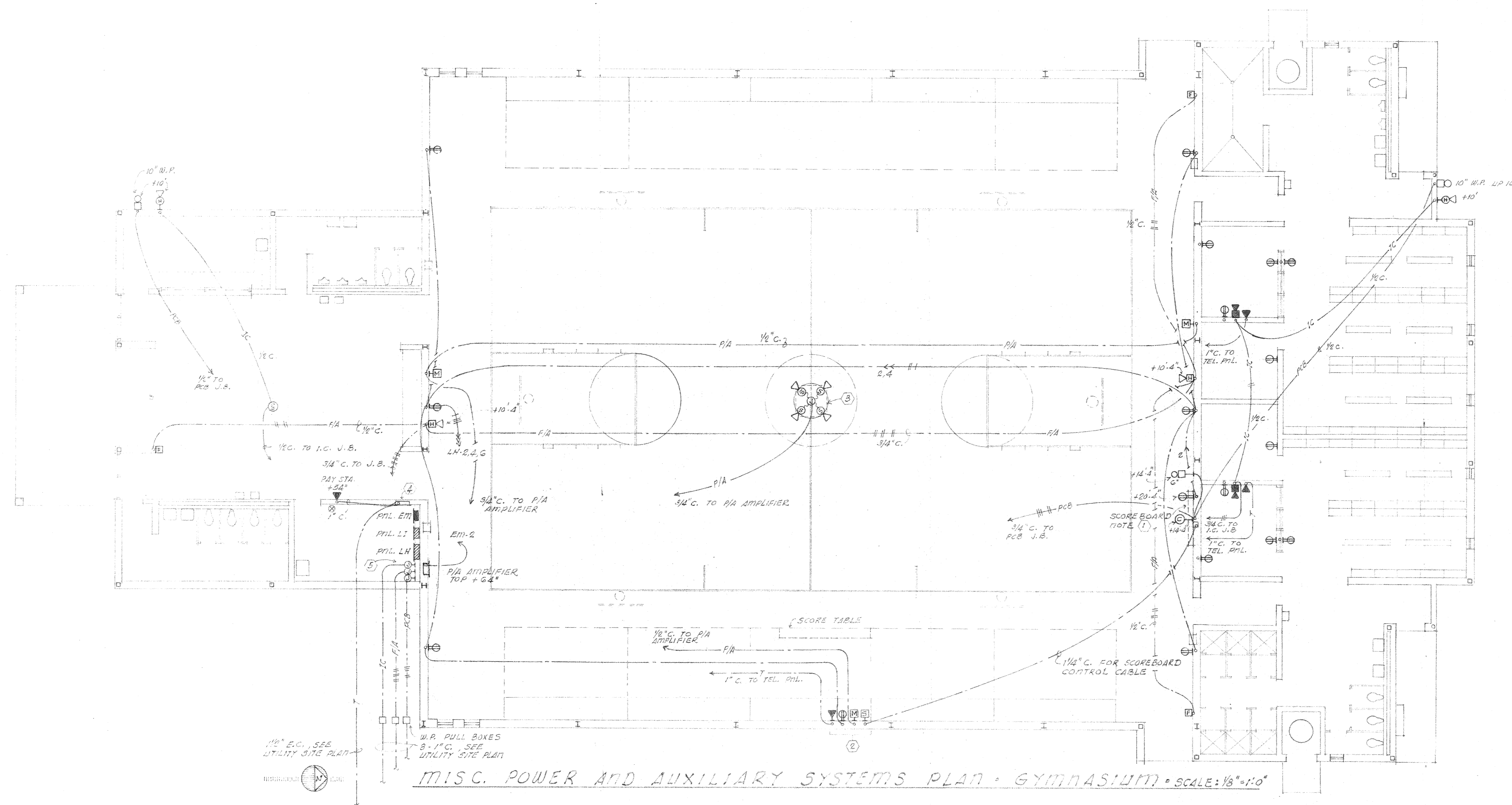
project no. 200-100-100
drawn by J.M.H.
checked by J.M.H.
date 1-19-52
revised

HAMILTON, MEYER and ASSOCIATES, INC.
ARCHITECT and ENGINEER

ADDITIONS TO BOYET JUNIOR HIGH SCHOOL
SLIDELL, LOUISIANA
ST. TAMMANY PARISH SCHOOL BOARD, OWNER

sheet no. _____
of _____ sheets

- NOTES:**
- 1 MOUNT TOP OF SCOREBOARD AT 5'-0" O.C. PROVIDE CONTROL CABLE OUTLET AND RECEPTACLE 1" x 20'-8".
 - 2 PROVIDE SCOREBOARD, MICROPHONE POWER AND TELEPHONE OUTLETS ON WALL BEHIND BLEACHERS AT 5'-0" O.C. CHECK BLEACHER SHOP DRAWINGS TO CLEAR BLEACHER MEMBERS.
 - 3 PROVIDE 2' x 3' x 1/2" THK. (2 LAYERS 3/4") PLYWOOD MOUNTING BOARD FOR SPEAKERS, SUSPENDED FROM STRUCTURAL 1" x 2" ABOVE FLOOR. MOUNT SPEAKERS ON TOP SIDE OF BOARD AS DIRECTED.
 - 4 PROVIDE 16" W. x 60" H. x 4" DEEP TELEPHONE CABINET IN ROOM G, STUB & CAP 2-3/4" E.C. TO ATTIC SPACE.
 - 5 PROVIDE THREE 6" x 6" x 4" JUNCTION BOXES IN ROOMING, ONE FOR INTERCOM SYSTEM, ONE FOR FIRE ALARM SYSTEM AND ONE FOR PROGRAM CLOCK AND BELL SYSTEM, EACH TO ACCORDING DATE INCOMING LINES FROM NEW CLASSROOM ADDITION.



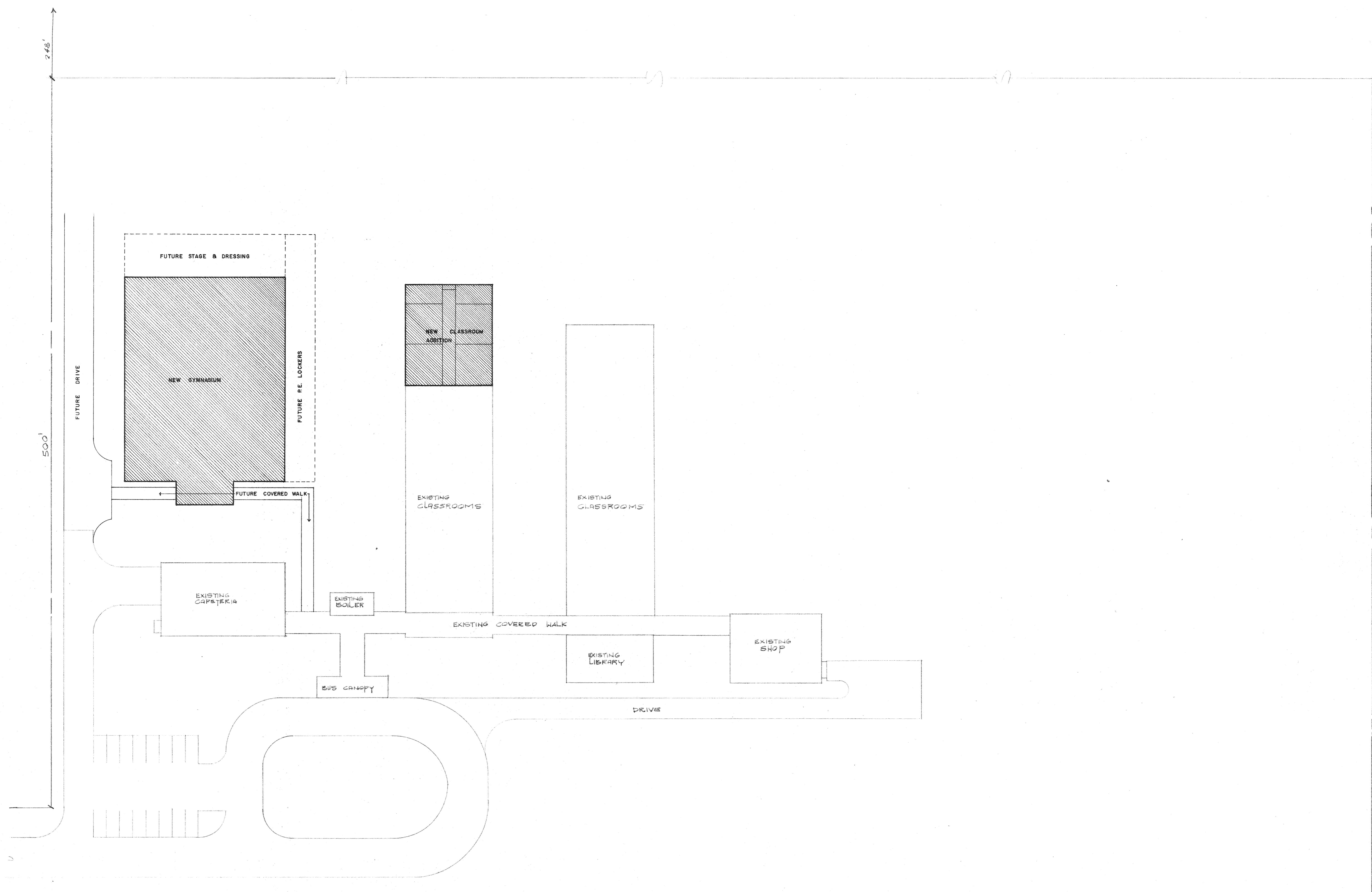
1/2" E.C. SEE UTILITY SITE PLAN
 W.P. PULL BOXES 2-1/2" E.C. SEE UTILITY SITE PLAN

MISC. POWER AND AUXILIARY SYSTEMS PLAN - GYMNASIUM - SCALE: 1/8" = 1'-0"

Project No. 80-111
 Drawn by [Signature]
 Checked by [Signature]
 Date [Signature]

HAMILTON, MEYER and ASSOCIATES, INC.
 ARCHITECT and ENGINEER

ADDITIONS TO BOYET JUNIOR HIGH SCHOOL
 SLIDELL, LOUISIANA
 ST. TAMMANY PARISH SCHOOL BOARD, OWNER



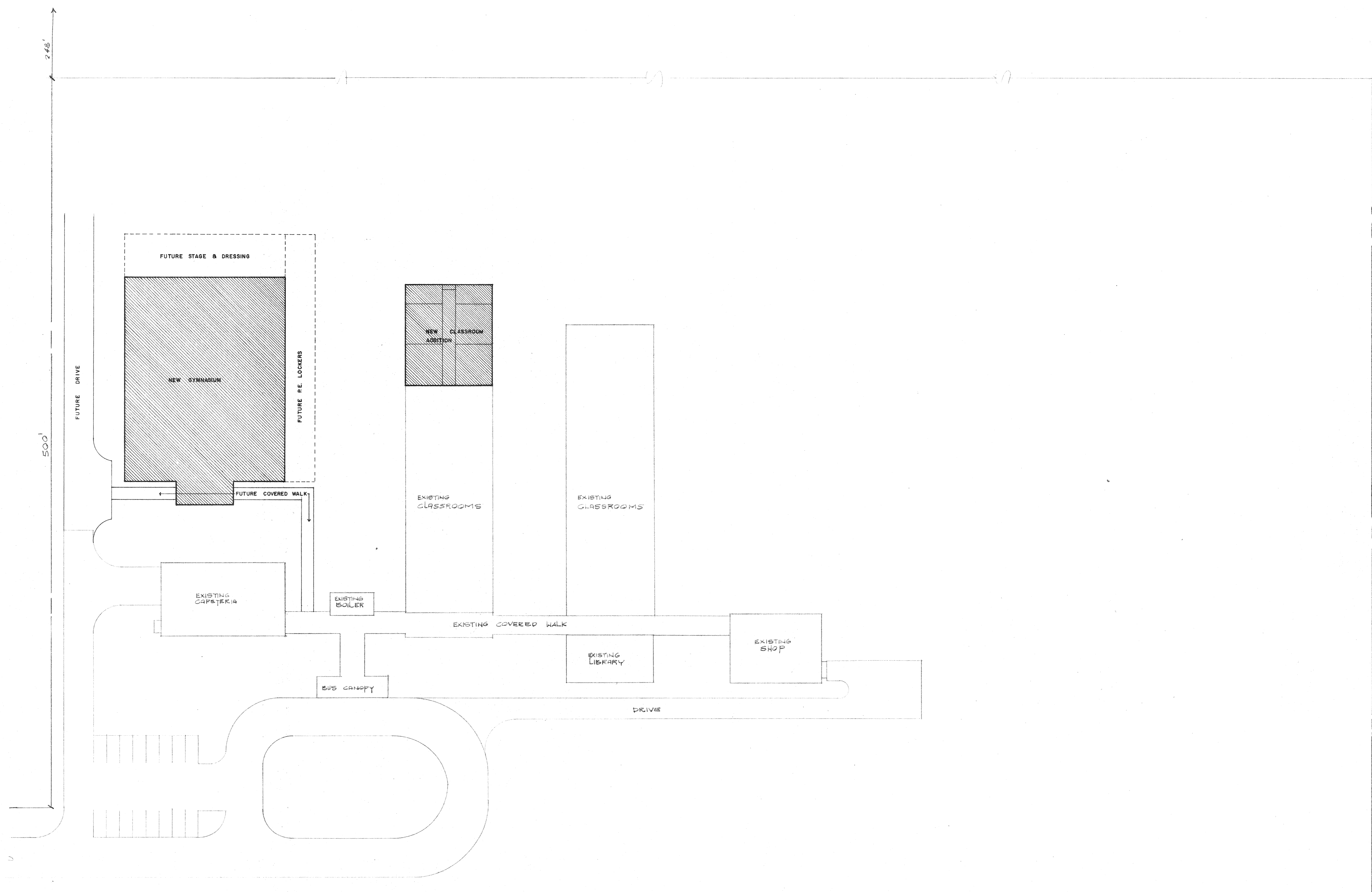
SITE PLAN
SCALE: 1"=30'-0"

project no. 5108
drawn _____
checked _____
date 6-8-71
revised _____

HAMILTON, MEYER and ASSOCIATES, INC.
ARCHITECT — and — ENGINEER

ADDITIONS TO BOYET JUNIOR HIGH
ST. TAMMANY PARISH SCHOOL BOARD
SLIDELL, LOUISIANA
WARD 8

sheet no. **1**
of 2 sheets



SITE PLAN
SCALE: 1"=30'-0"

project no. 5108
drawn _____
checked _____
date 6-8-71
revised _____

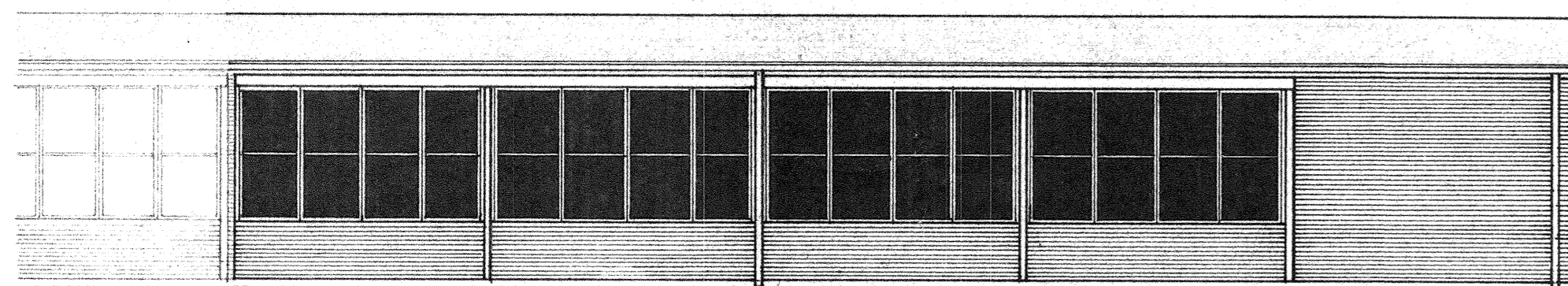
HAMILTON, MEYER and ASSOCIATES, INC.
ARCHITECT — and — ENGINEER

ADDITIONS TO BOYET JUNIOR HIGH
ST. TAMMANY PARISH SCHOOL BOARD
SLIDELL, LOUISIANA WARD 8

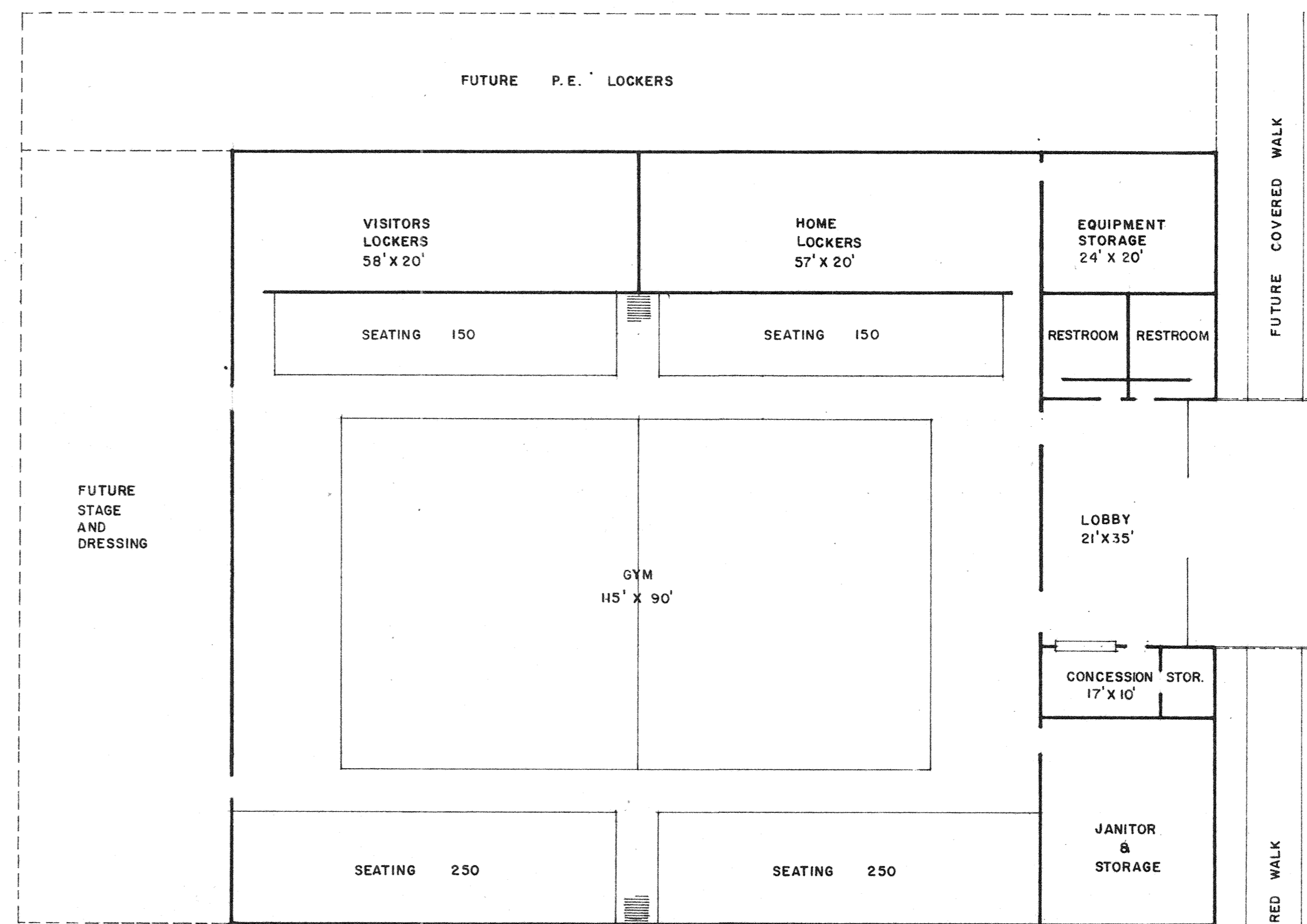
sheet no. **1**
of 2 sheets



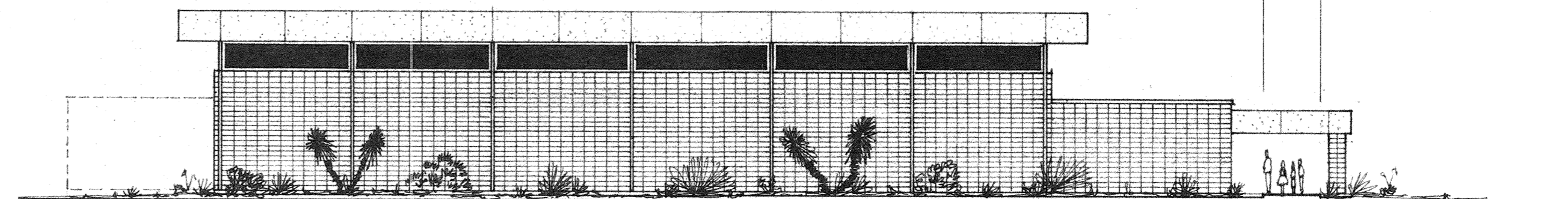
FLOOR PLAN - NEW CLASSROOM ADDITION - 4340 SQ. FT.
SCALE: 1/8" = 1'-0"



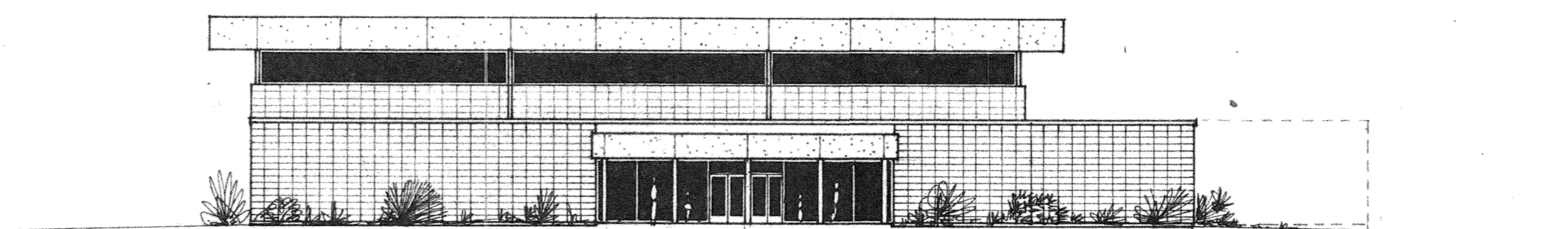
SIDE ELEVATION
SCALE: 1/8" = 1'-0"



FLOOR PLAN - NEW GYMNASIUM - 15,400 SQ. FT.
SCALE: 1/16" = 1'-0"



SIDE ELEVATION
SCALE: 1/16" = 1'-0"



FRONT ELEVATION
SCALE: 1/16" = 1'-0"

project no. 5108
drawn
checked
date 6-8-71
revised

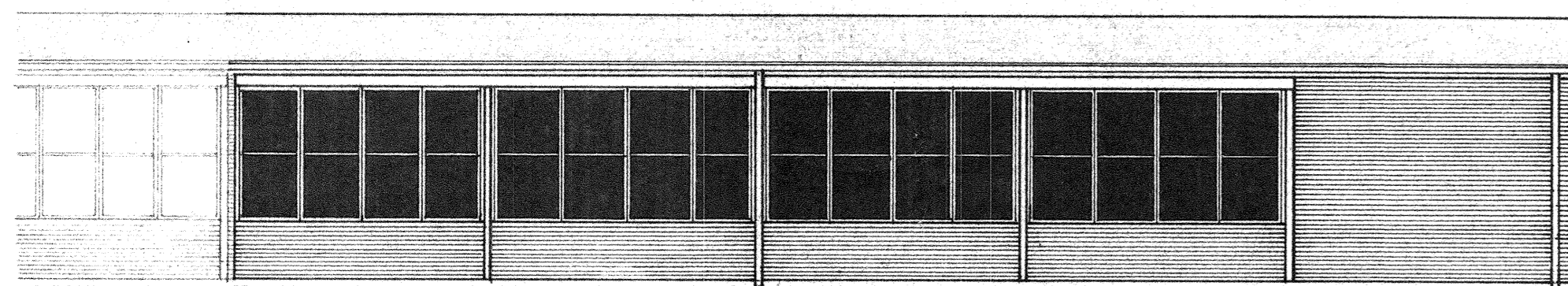
HAMILTON, MEYER and ASSOCIATES, INC.
ARCHITECT and ENGINEER

ADDITIONS TO BOYET JUNIOR HIGH
ST. TAMMANY PARISH SCHOOL BOARD
SLIDELL, LOUISIANA
WARD 8

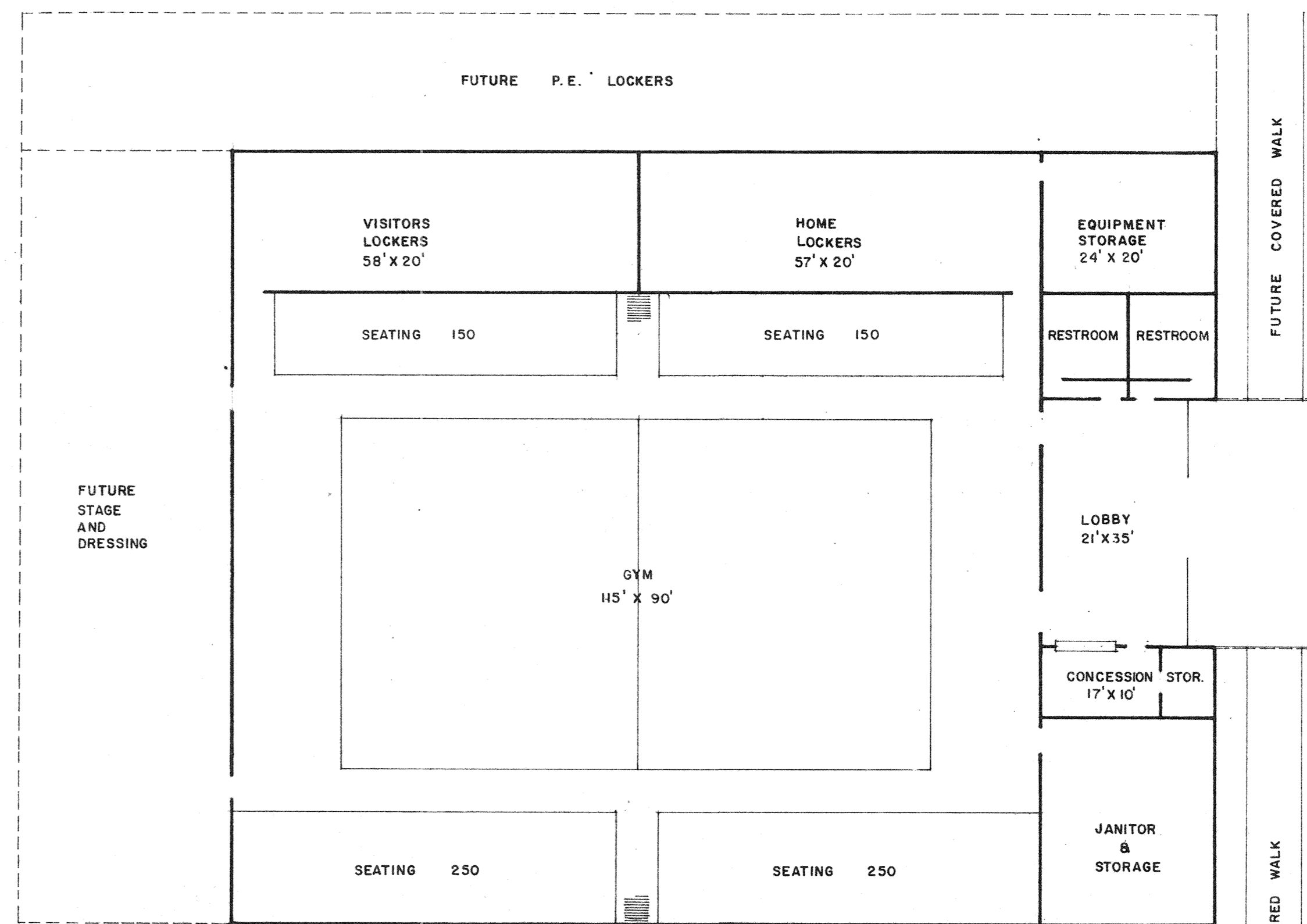
sheet no.
2
of 2 sheets



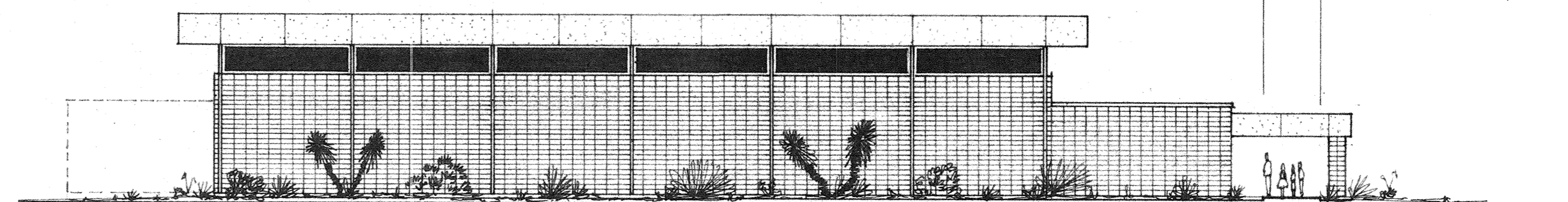
FLOOR PLAN - NEW CLASSROOM ADDITION - 4340 SQ. FT.
SCALE: 1/8" = 1'-0"



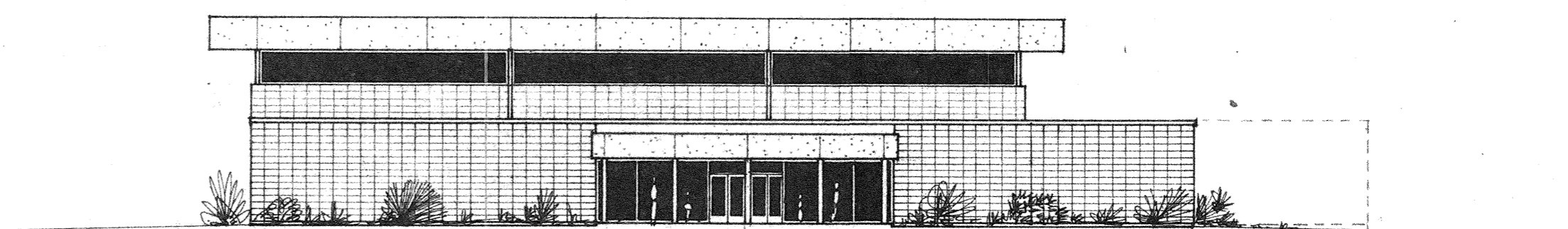
SIDE ELEVATION
SCALE: 1/8" = 1'-0"



FLOOR PLAN - NEW GYMNASIUM - 15,400 SQ. FT.
SCALE: 1/16" = 1'-0"



SIDE ELEVATION
SCALE: 1/16" = 1'-0"



FRONT ELEVATION
SCALE: 1/16" = 1'-0"

project no. 5108
drawn
checked
date 6-8-71
revised

HAMILTON, MEYER and ASSOCIATES, INC.
ARCHITECT and ENGINEER

ADDITIONS TO BOYET JUNIOR HIGH
ST. TAMMANY PARISH SCHOOL BOARD
SLIDELL, LOUISIANA
WARD 8

sheet no.
2
of 2 sheets