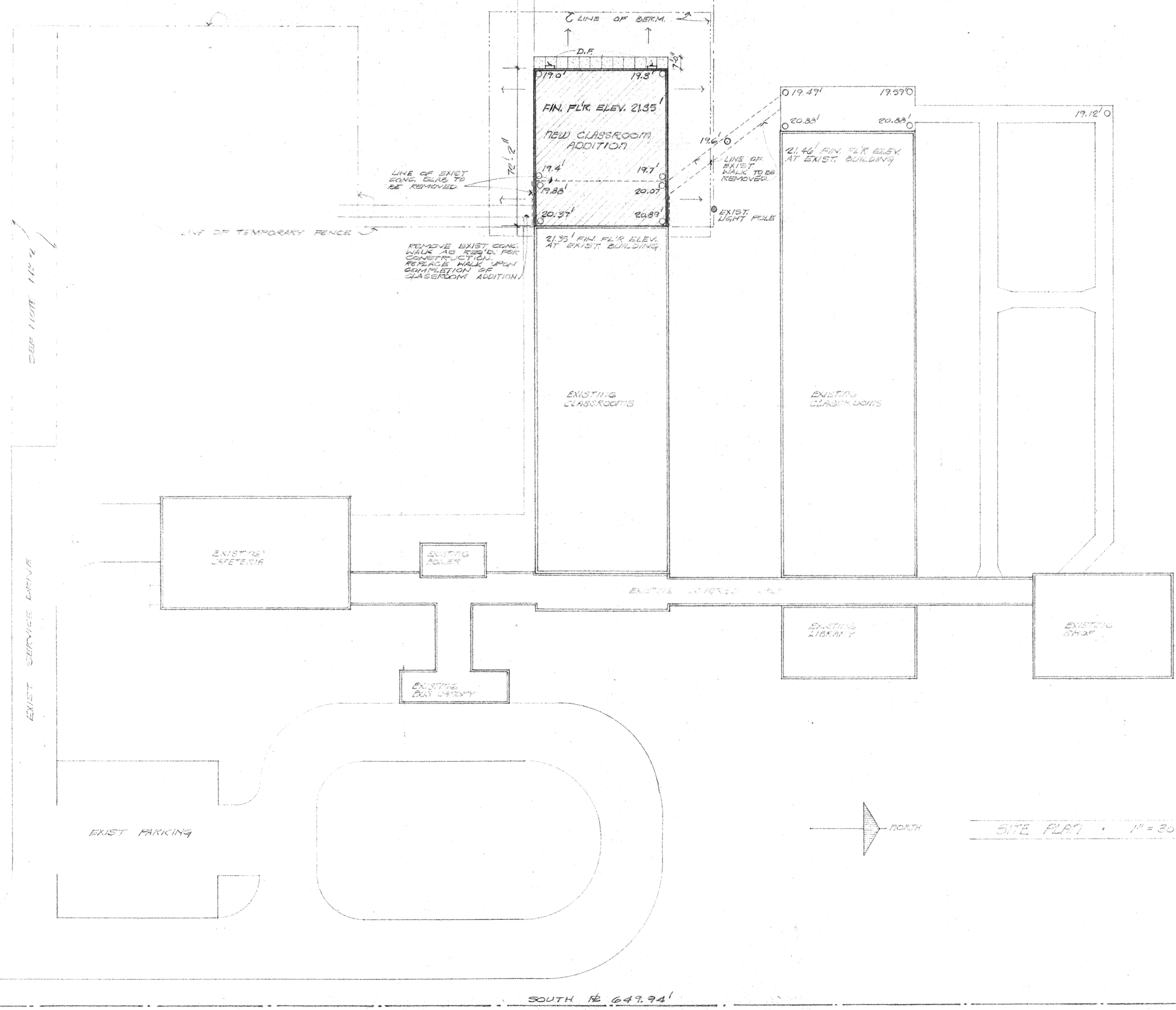
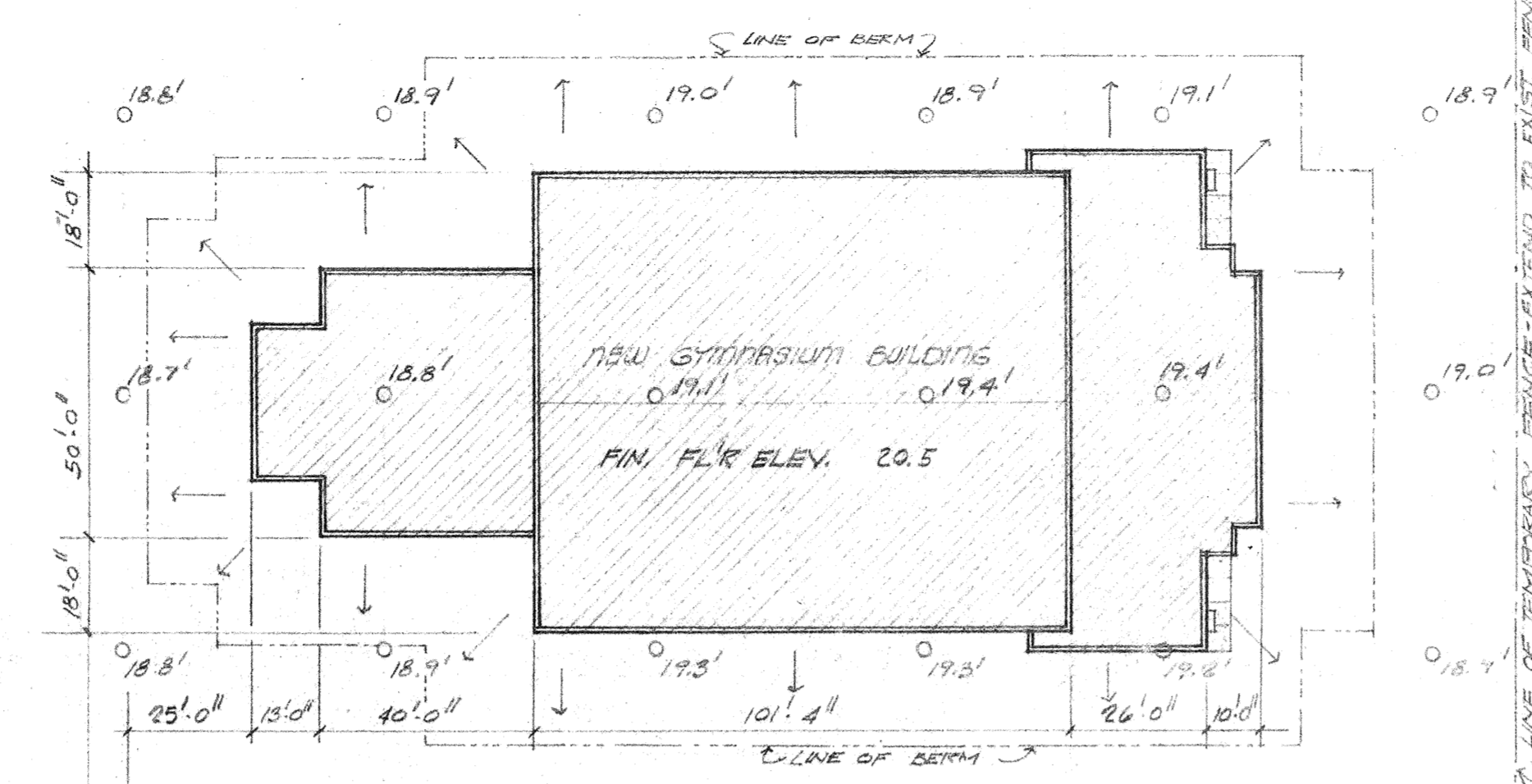


**NOTES**

1. PROVIDE A TEMPORARY FENCE TO ESTABLISH A ZONE WITHIN WHICH ALL WORK SHALL BE PERFORMED AND WITHIN WHICH ALL UN-AUTHORIZED PERSONS SHALL NOT ENTER.
2. ACCESS TO THE CONSTRUCTION AREA SHALL BE THROUGH EXISTING CAFETERIA SERVICE DRIVE. EXTEND SERVICE DRIVE AS REQUIRED TO MAINTAIN SERVICE DRIVE DURING CONSTRUCTION THIS.
3. SLOPE BERM FROM BUILDINGS UNIFORMLY TO NATURAL GRADE WHERE BERM LIMIT IS INDICATED. BERM LINE SHALL ALSO BE CONTRACT LIMIT LINE UNLESS OTHERWISE NOTED, SUCH AS PLUMBING OR ELECTRICAL EXTENSIONS, ETC.
4. GENERAL CONTRACTOR SHALL MAKE EVERY EFFORT TO PREVENT DISRUPTION OF SCHOOL ACTIVITIES WHEN WORK AT EXISTING BUILDING. MUST BEGIN NOTIFY OWNER AT LEAST THREE DAYS IN ADVANCE OF START OF WORK AND ERECT PROPER BARRIERS TO PREVENT DANGER TO STUDENTS, FACULTY, ETC.
5. ANY UTILITY SHUT-DOWN SHALL BE SCHEDULED WITH THE OWNER.
6. LOCATE TEMPORARY FENCE IN SOUTH EAST CONSTRUCTION AREA SO THAT EXISTING HARD SURFACE PLAY AREA IS NOT INCLUDED WITHIN THE CONSTRUCTION AREA.
7. LOCATE JOB SIGN ON SITE AS DIRECTED BY THE ARCHITECT.
8. JOB SIGN SHALL BE PAINTED BY PROFESSIONAL SIGN PAINTER. COLORS SHALL BE BLACK LETTERS ON WHITE BACKGROUND.



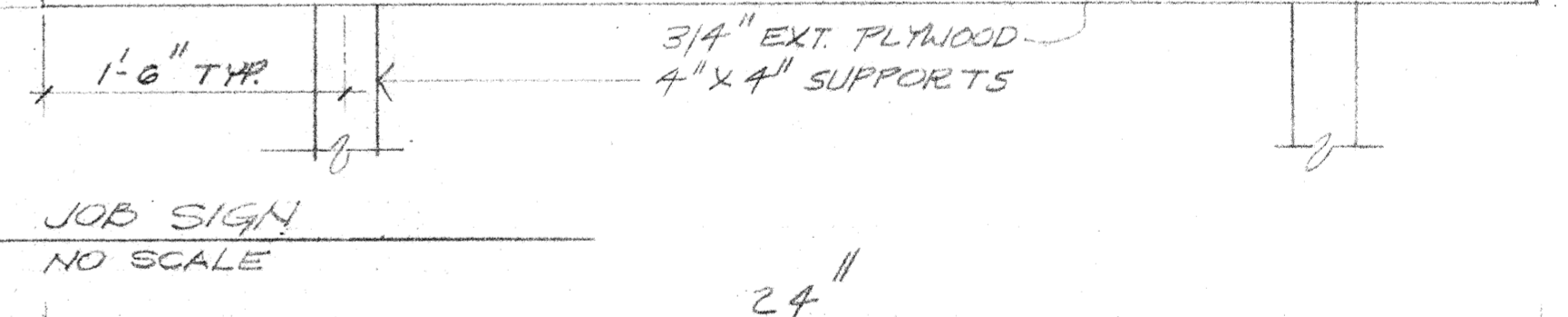
**I N D E X**

TITLE, INDEX AND SITE PLAN	1
CLASSROOM PLAN, ELEVATIONS, SECTION AND SCHEDULES	2
CLASSROOM - ARCHITECTURAL DETAILS	3
GYMNASIUM PLAN AND SCHEDULES	4
GYMNASIUM ELEVATIONS AND SECTIONS	5
INTERIOR ELEVATIONS	6
GYMNASIUM - ARCHITECTURAL DETAILS	7
CLASSROOM-FOUNDATION, FRAMING PLAN AND FOUNDATION DT'LS.	S-1
GYMNASIUM-FOUNDATION PLAN AND FOUNDATION DETAILS	S-2
GYMNASIUM- FRAMING PLAN AND FRAMING DETAILS	S-3
GYMNASIUM- FOUNDATION DETAILS- CLASSROOM FRAMING DT'LS.	S-4
GYMNASIUM- FRAMING DETAILS	S-5

**ADDITIONS TO BOYET JUNIOR HIGH SCHOOL**  
**ST TAMMANY PARISH SCHOOL BOARD**  
 W. L. "BILL" FOLSE, JR., PRESIDENT  
 SIDNEY L. CARTER, VICE-PRESIDENT  
 CYPRIAN J. SCHOEN, SUPERINTENDENT

FRANK W. SHARP	RAYMOND E. FUSSELL
PHILIP BURNS	DR. LLOYD MAGRUDER, JR.
HARVEY CORE	MILTON E. CRADDOCK
THEODORE B. TALLEY	MRS. ANNE F. FLOTTE
GARY E. "BUTZ" BAUDOT	DR. JOSEPH L. LINDSAY, III
CHARLES WILLIAMS	FRANK PICHON
	LARRY BRELAND

**HAMILTON, MEYER AND ASSOCIATES, INC.**  
 ARCHITECT AND ENGINEER  
 [ NAME OF CONTRACTOR ]



1973  
**ADDITIONS TO BOYET JUNIOR HIGH SCHOOL**  
**ST. TAMMANY PARISH SCHOOL BOARD**  
 W. L. "BILL" FOLSE, JR., PRESIDENT  
 SIDNEY L. CARTER, VICE - PRESIDENT  
 CYPRIAN J. SCHOEN, SUPERINTENDENT

FRANK W. SHARP	RAYMOND E. FUSSELL
PHILIP BURNS	RONALD E. PILGRIM
HARVEY CORE	MILTON E. CRADDOCK
THEODORE B. TALLEY	MRS. ANNE F. FLOTTE
GARY E. "BUTZ" BAUDOT	DR. JOSEPH L. LINDSAY, III
DODSON GRANTHAM	HAROLD J. HANSON

**HAMILTON, MEYER AND ASSOCIATES, INC.**  
 ARCHITECT AND ENGINEER  
 [ NAME OF CONTRACTOR ]

**BUILDING PLAQUE**  
NO SCALE

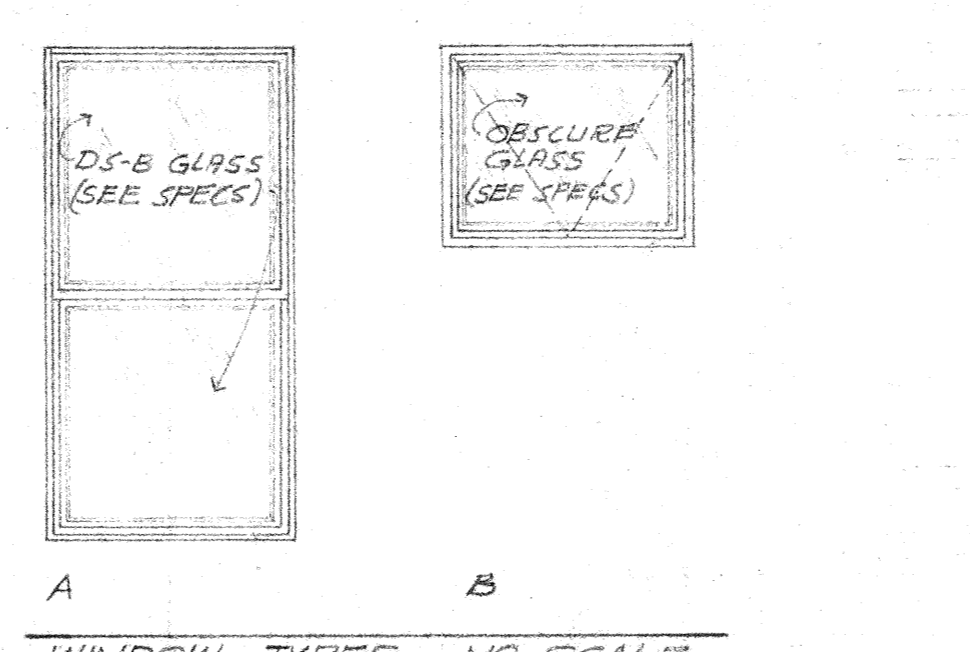
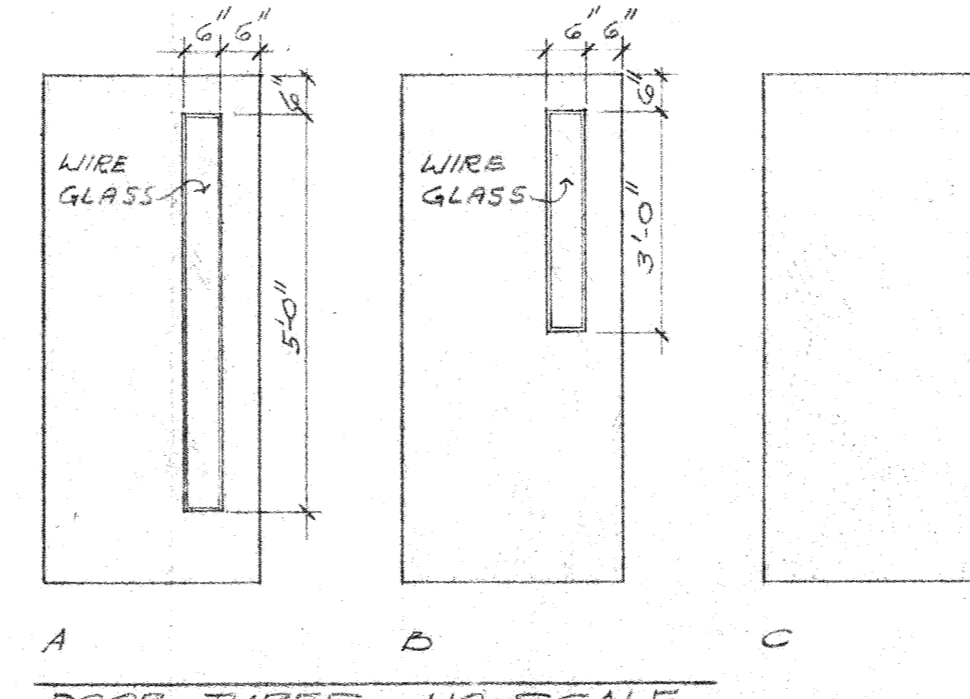
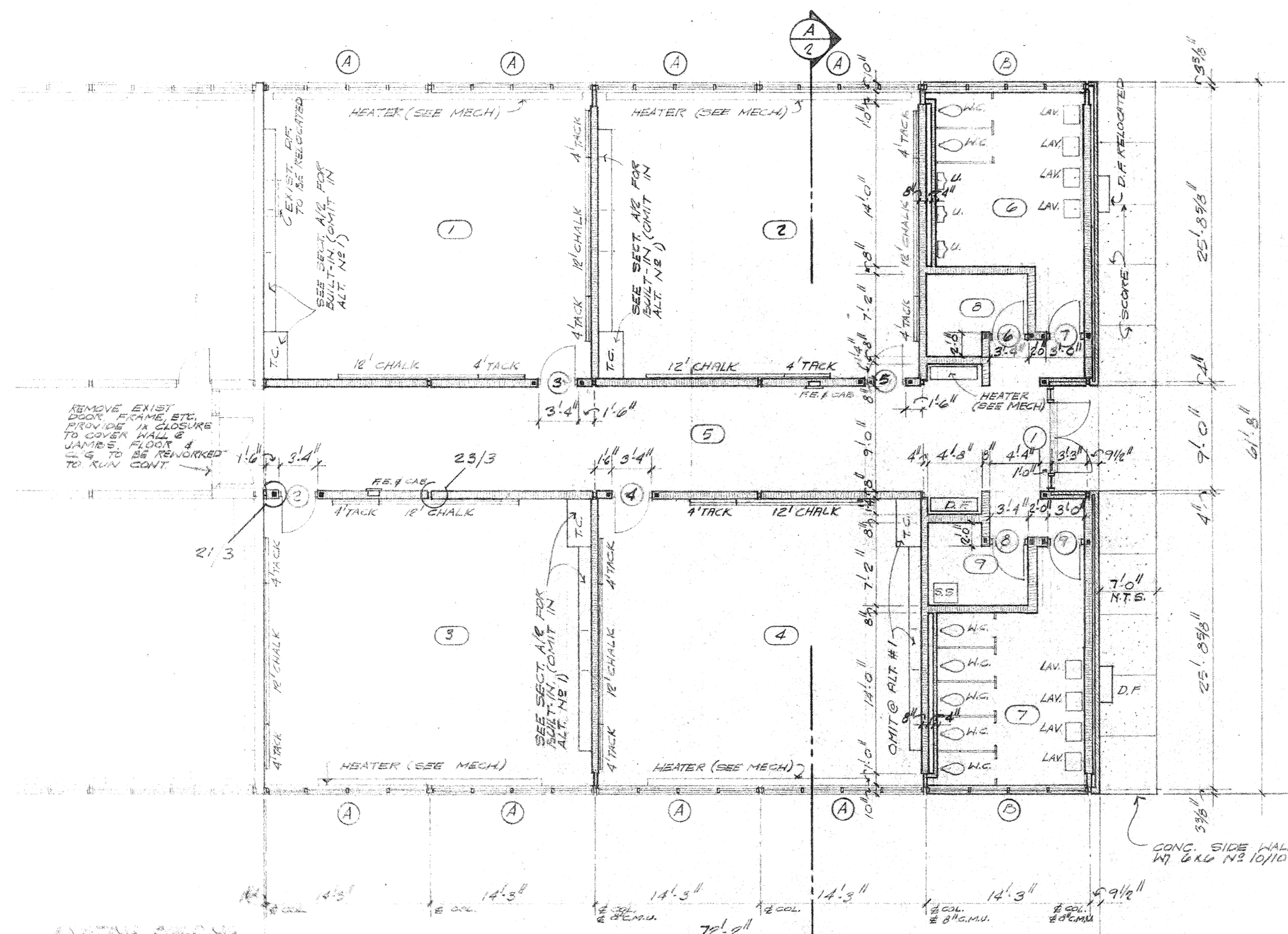
project no. 7705  
 drawn P.M.B. R.M.  
 checked J.M.S.  
 date 2/7/73  
 revised



**HAMILTON, MEYER and ASSOCIATES, INC.**  
 ARCHITECT and ENGINEER

**ADDITIONS TO BOYET JUNIOR HIGH SCHOOL**  
 SLIDELL, LOUISIANA  
 ST. TAMMANY PARISH SCHOOL BOARD, OWNER

sheet no. 1  
 of 7 sheets

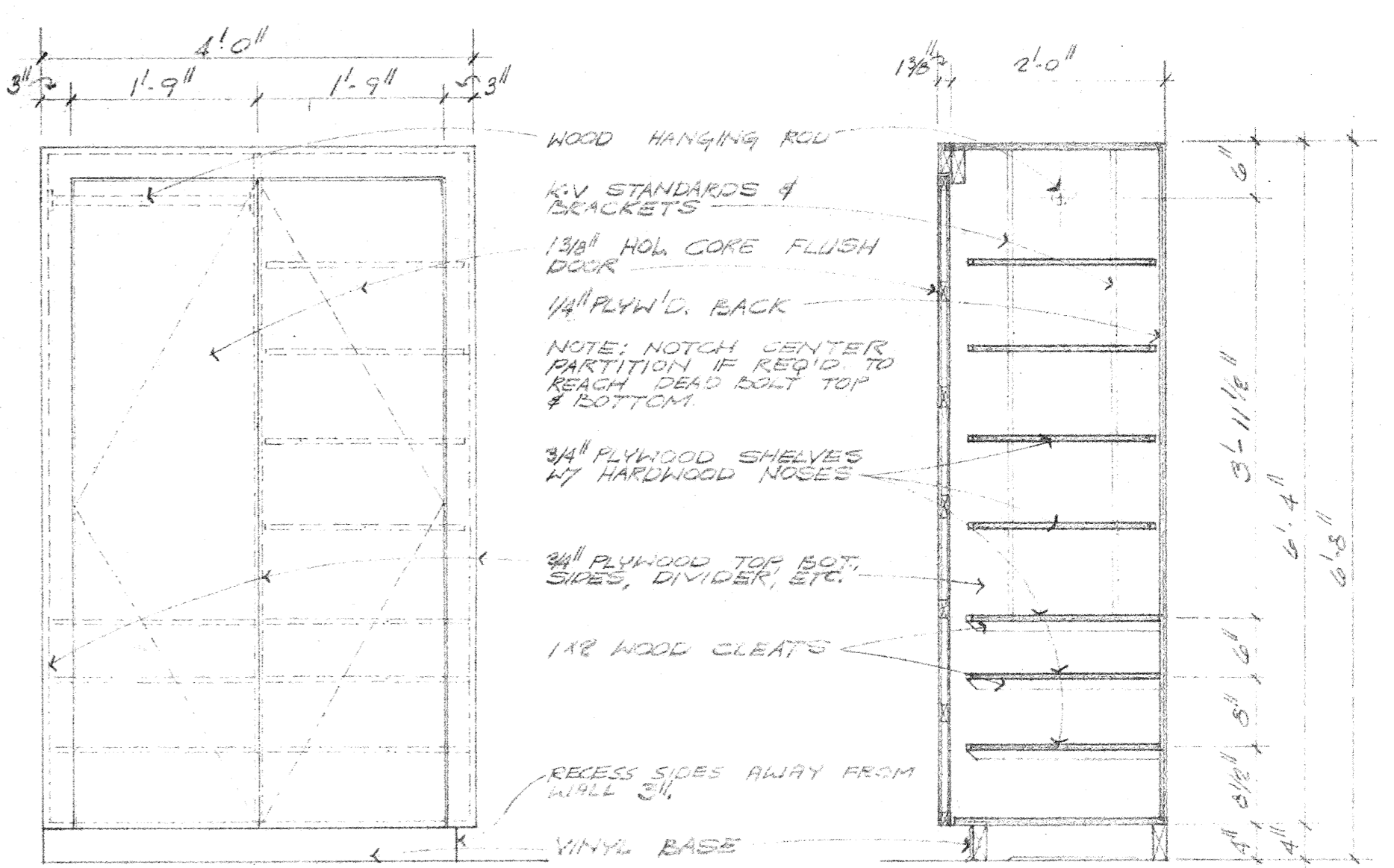
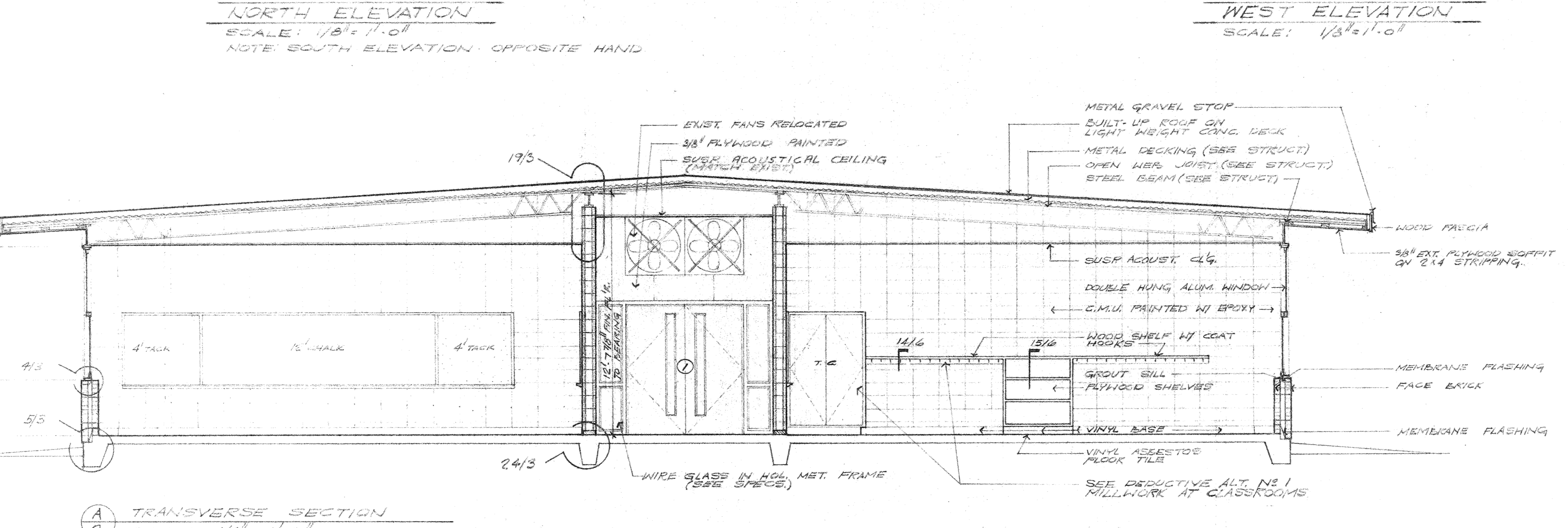
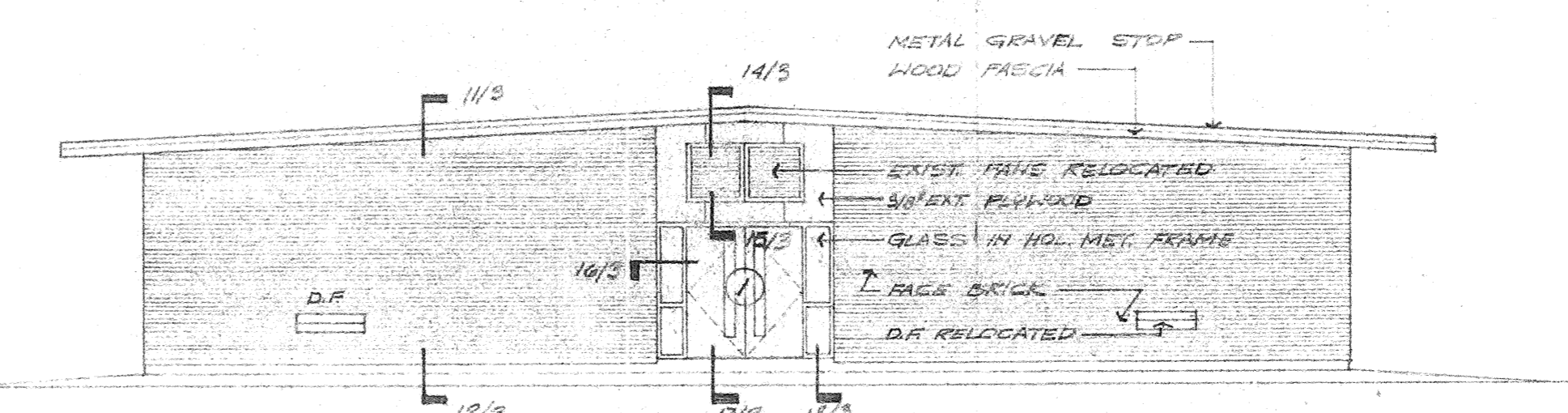
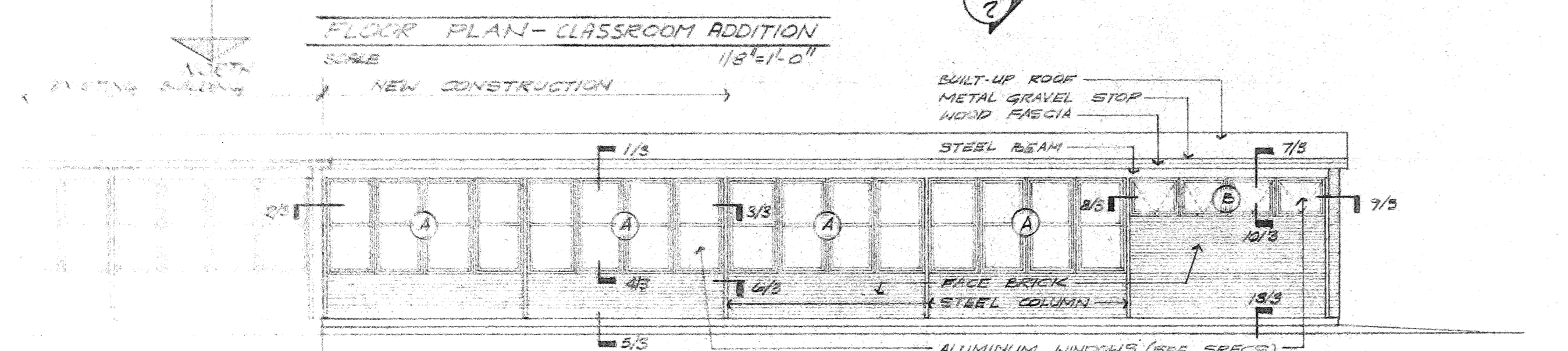


FINISH SCHEDULE							
NR	SPACE	FLOOR	BASE	WALL	CEILING	CLG. HT.	REMARKS
1	CLASSROOM						
2	CLASSROOM						
3	CLASSROOM						
4	CLASSROOM						
5	CORRIDOR						
6	BOYS REST ROOM						MATCH EXISTING CEILING
7	GIRLS REST ROOM						
8	STORAGE						
9	JANITOR						

DOOR SCHEDULE							
NR	W	H	T	DESCRIPTION	TYPE	FRAME	REMARKS
1	PR	3'-0"	6'-6"	1 3/4"	EXT. S.G. FLUSH, PAINT GRADE BIRCH	A	HOL. MET. W/ ALUM. THRESHOLD
2	PR	3'-0"	6'-6"	1 3/4"	INT. S.G. FLUSH	B	HOL. MET.
3	PR	3'-0"	6'-6"	1 3/4"	" " " " " " " "	B	HOL. MET.
4	PR	3'-0"	6'-6"	1 3/4"	" " " " " " " "	B	HOL. MET.
5	PR	3'-0"	6'-6"	1 3/4"	" " " " " " " "	B	HOL. MET.
6	PR	3'-0"	6'-6"	1 3/4"	" " " " " " " "	B	HOL. MET.
7	PR	3'-0"	6'-6"	1 3/4"	" " " " " " " "	B	HOL. MET.
8	PR	3'-0"	6'-6"	1 3/4"	" " " " " " " "	B	HOL. MET.
9	PR	3'-0"	6'-6"	1 3/4"	" " " " " " " "	B	HOL. MET.

WINDOW SCHEDULE				
MARK	W	H	DESCRIPTION	REMARKS
A	3'-0"	6'-6"	ALUM. DOUBLE HUNG	W/ 7/8" MULLION
B	3'-0"	6'-6"	ALUM. HOPPER - BOTTOM HINGE, PROJEKT IN	W/ 7/8" MULLION - OBSCURE GLASS

- LEGEND
- FACE BRICK
  - CONCRETE MASONRY UNIT
  - CMU BOND COL. W/ 1" B. BAR CONT.
  - VERIFY ON JOB
  - NOT TO SCALE
  - CONCRETE MASONRY UNIT
  - NIT
  - CONTINUOUS
  - FIRE EXTINGUISHER
  - ELECTRIC WATER COOLER
  - DRINKING FOUNTAIN
  - ON CENTER
  - CABINET
  - TEACHERS CABINET
  - HOLLOW METAL
  - EXPANSION JOINT
  - NUMBER OF DETAIL
  - NO. OF SHEET DETAIL IS DRAWING ON



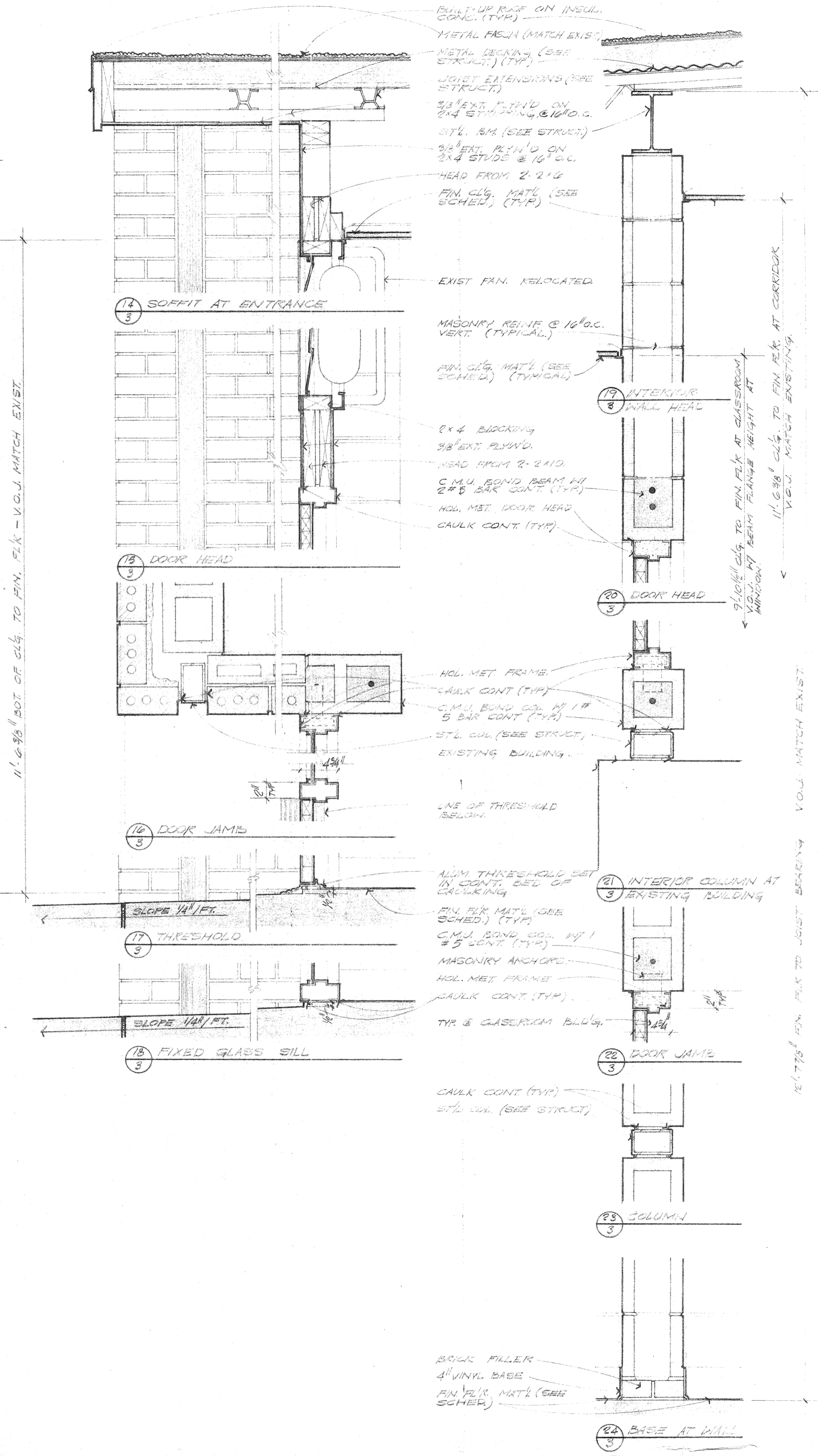
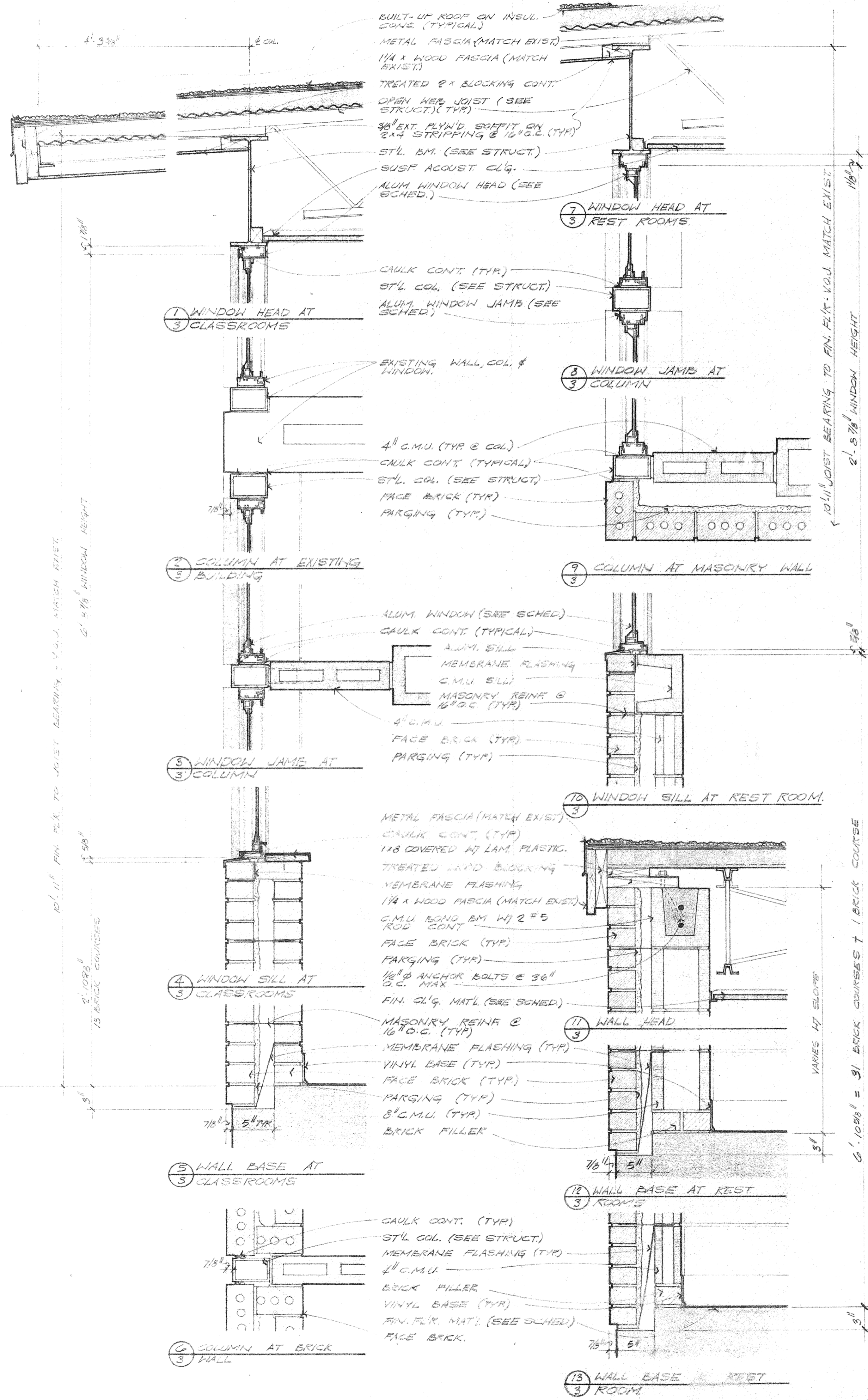
project no. 5205  
drawn P.B.  
checked S.A.H.  
date 2-9-73  
revised

HAMILTON, MEYER and ASSOCIATES, INC.  
ARCHITECT and ENGINEER

CLASSROOM PLAN ELEVATIONS, SECTION & SCHEDULE

ADDITIONS TO BOYET JUNIOR HIGH SCHOOL  
SLIDELL, LOUISIANA  
ST. TAMMANY PARISH SCHOOL BOARD, OWNER

sheet no. 2 of 7 sheets



BUILT-UP ROOF ON INSUL. CONC. (TYP.)

METAL FASCIA (MATCH EXIST.)

1/4" X WOOD FASCIA (MATCH EXIST.)

TREATED 2" X BLOCKING CONT.

OPEN W/ JOIST (SEE STRUCT.) (TYP.)

3/8" EXT. PLYND. SOFFIT ON 2" X 4" STRIPPING @ 16" O.C. (TYP.)

ST'L. B.M. (SEE STRUCT.)

SUSP. ACoust. CLG. (SEE SCHED.)

ALUM. WINDOW HEAD (SEE SCHED.)

CAULK CONT. (TYP.)

ST'L. COL. (SEE STRUCT.)

ALUM. WINDOW JAMB (SEE SCHED.)

EXISTING WALL, COL. & WINDOW.

4" C.M.U. (TYP. @ COL.)

CAULK CONT. (TYPICAL)

ST'L. COL. (SEE STRUCT.)

FACE BRICK (TYP.)

PARGING (TYP.)

ALUM. WINDOW (SEE SCHED.)

CAULK CONT. (TYPICAL)

ALUM. SILL

MEMBRANE FLASHING

C.M.U. SILL

MASONRY REINF. @ 16" O.C. (TYP.)

4" C.M.U.

FACE BRICK (TYP.)

PARGING (TYP.)

METAL FASCIA (MATCH EXIST.)

CAULK CONT. (TYP.)

1/8" COVERED W/ LAM. PLASTIC.

TREATED WOOD BLOCKING

MEMBRANE FLASHING

1/4" X WOOD FASCIA (MATCH EXIST.)

C.M.U. BOND. B.M. W/ 2 #5 ROD CONT.

FACE BRICK (TYP.)

PARGING (TYP.)

1/2" ANCHOR BOLTS @ 36" O.C. MAX.

FIN. CLG. MAT'L (SEE SCHED.)

MASONRY REINF. @ 16" O.C. (TYP.)

MEMBRANE FLASHING (TYP.)

VINYL BASE (TYP.)

FACE BRICK (TYP.)

PARGING (TYP.)

8" C.M.U. (TYP.)

BRICK FILLER

CAULK CONT. (TYP.)

ST'L. COL. (SEE STRUCT.)

MEMBRANE FLASHING (TYP.)

4" C.M.U.

BRICK FILLER

VINYL BASE (TYP.)

FIN. FL'R. MAT'L (SEE SCHED.)

FACE BRICK.

BUILT-UP ROOF ON INSUL. CONC. (TYP.)

METAL FASCIA (MATCH EXIST.)

METAL BECKING (SEE STRUCT.) (TYP.)

JOIST EXTENDING (SEE STRUCT.)

3/8" EXT. PLYND. ON 2" X 4" STRIPPING @ 16" O.C.

ST'L. B.M. (SEE STRUCT.)

3/8" EXT. PLYND. ON 2" X 4" STUDS @ 16" O.C.

HEAD FROM 2" X 4"

FIN. CLG. MAT'L (SEE SCHED.) (TYP.)

EXIST. FAN. RELOCATED

MASONRY REINF. @ 16" O.C. VERT. (TYPICAL)

FIN. CLG. MAT'L (SEE SCHED.) (TYPICAL)

2" X 4" BLOCKING

3/8" EXT. PLYND.

HEAD FROM 2" X 4"

C.M.U. BOND. BEAM W/ 2 #5 BAR CONT. (TYP.)

HOL. MET. DOOR HEAD

CAULK CONT. (TYP.)

HOL. MET. FRAME

CAULK CONT. (TYP.)

C.M.U. BOND. COL. W/ 1 #5 BAR CONT. (TYP.)

ST'L. COL. (SEE STRUCT.)

EXISTING BUILDING

LINE OF THRESHOLD BELOW

ALUM. THRESHOLD SET IN CONT. BED OF CAROLING

FIN. FL'R. MAT'L (SEE SCHED.) (TYP.)

C.M.U. BOND. COL. W/ 1 #5 CONT. (TYP.)

MASONRY ANCHORS

HOL. MET. FRAME

CAULK CONT. (TYP.)

TYP. & CLASSROOM BLDG.

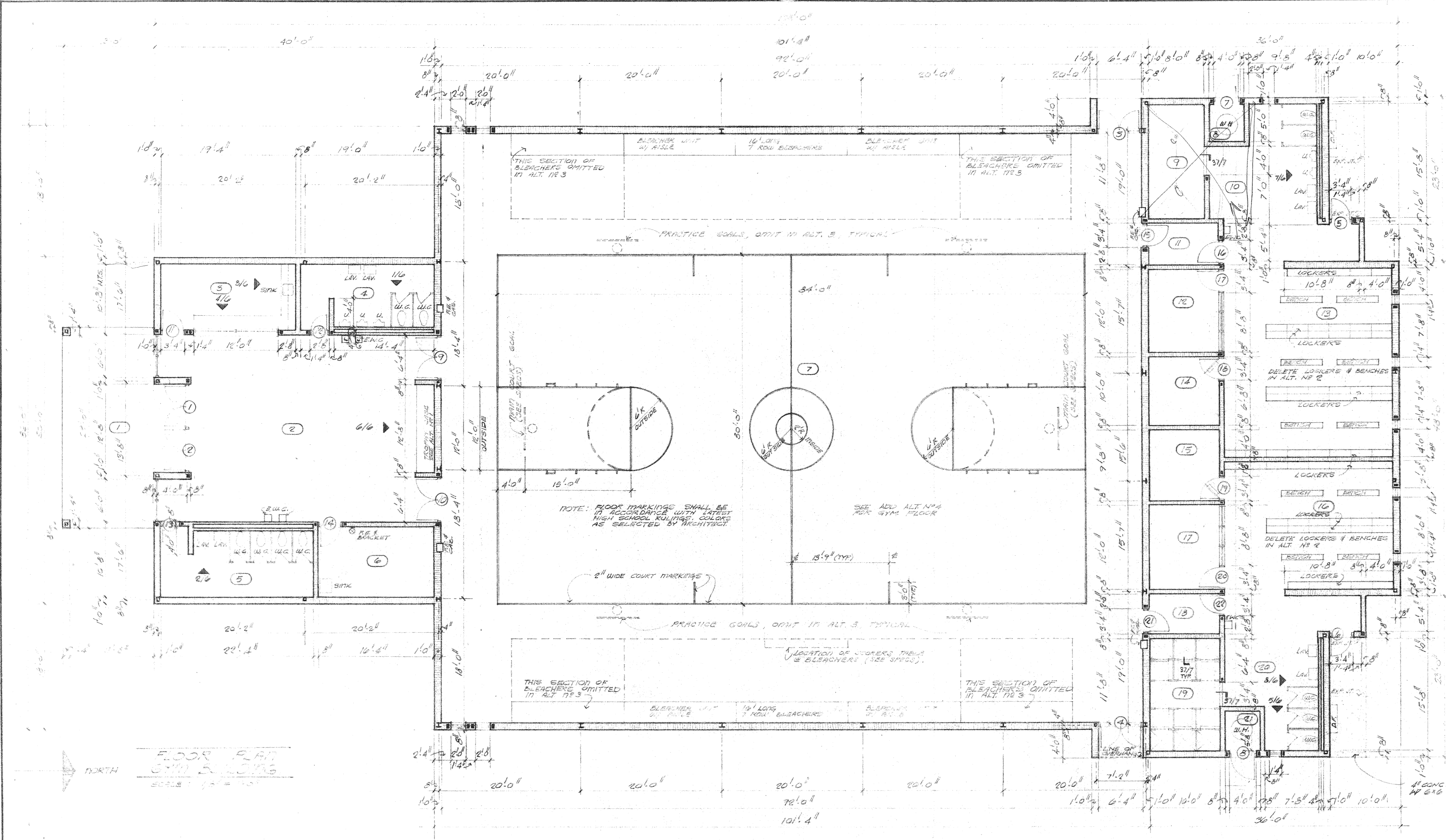
CAULK CONT. (TYP.)

ST'L. COL. (SEE STRUCT.)

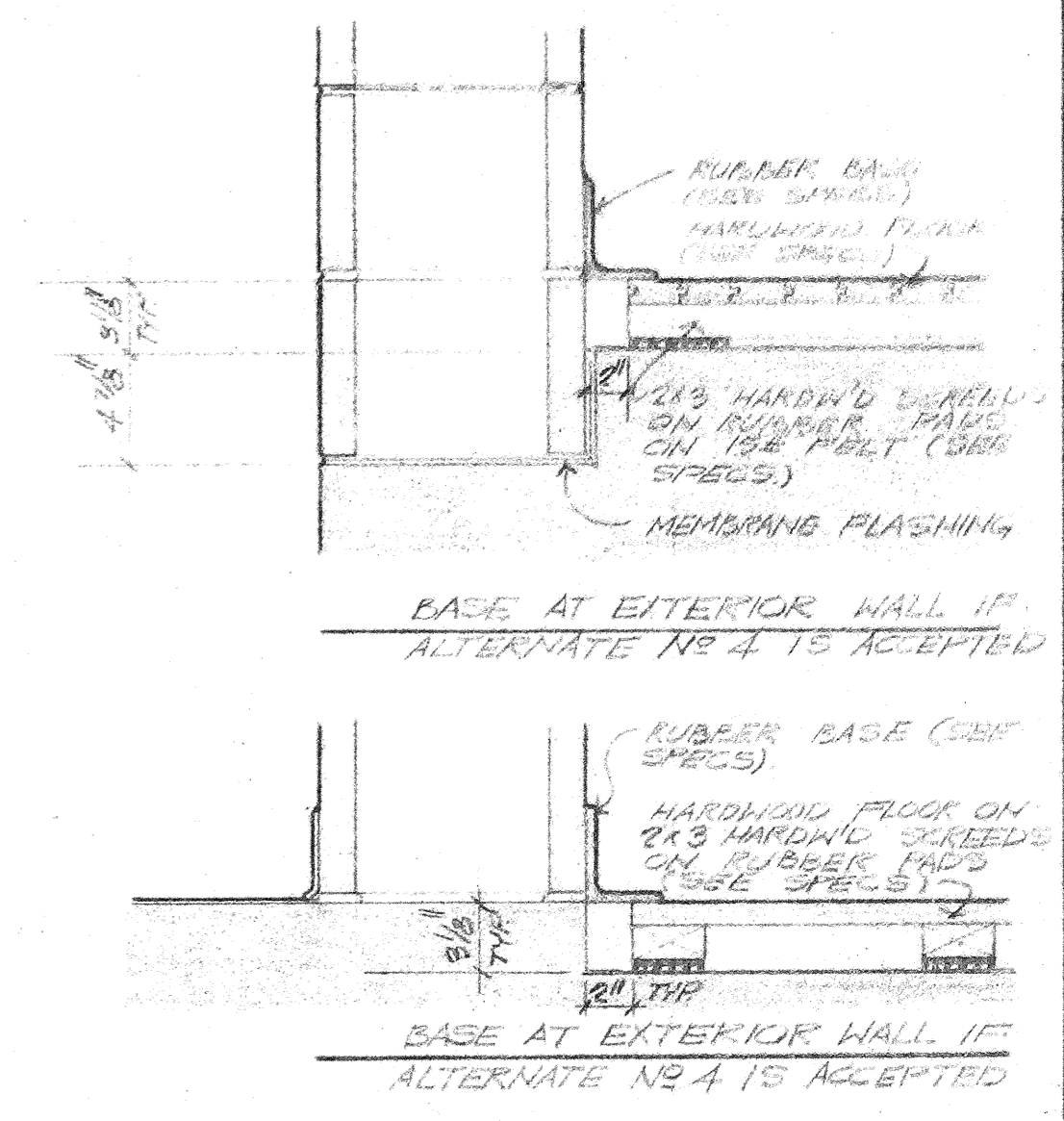
BRICK FILLER

4" VINYL BASE

FIN. FL'R. MAT'L (SEE SCHED.)

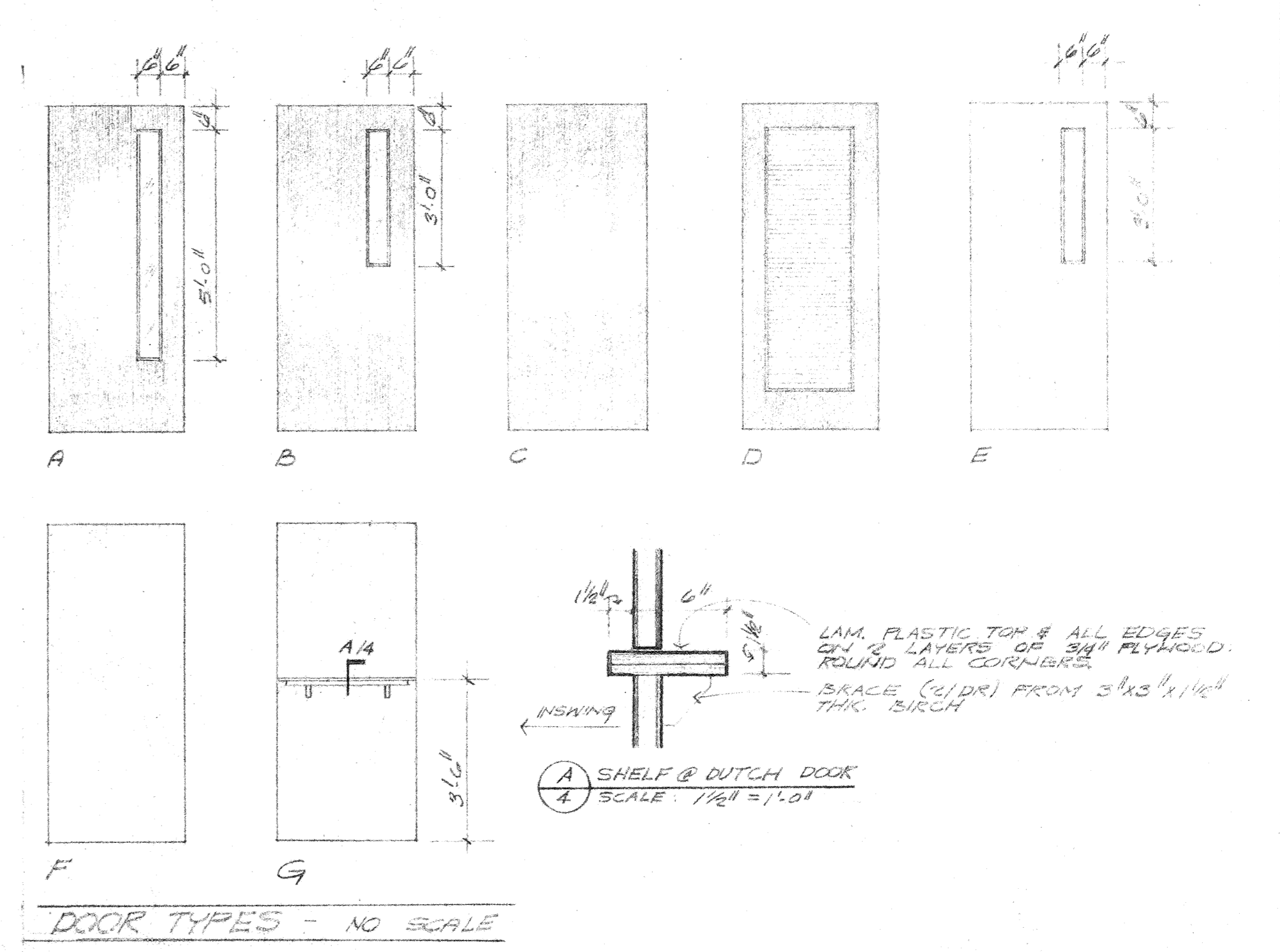


- ALTERNATES**
- DEDUCTIVE**
- OMIT CLASSROOM, CONCESSION & LOBBY (TROPHY CASE) MILLWORK
  - OMIT LOCKERS & BENCHES IN BOYS & GIRLS LOCKERS
  - OMIT 4 SECTIONS OF BLEACHERS & 4 PRACTICE GOALS TO INDICATE ON THE PLAN.
- ADDITIVE**
- PROVIDE HARDWOOD SYMMONYUM FLOOR IN LIEU OF VINYL ASBESTOS FLOOR (SEE DETAILS, SPECIFICATIONS & SPECS.)

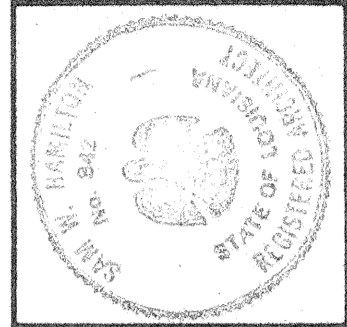


ROOM FINISH SCHEDULE						
NR	SPACE	FLOOR	BASE	WALLS	CEILING	CLG. HT.
1	ENTRY PORCH	VINYL ASBESTOS CONCRETE	VINYL OF RUBBER	CONCRETE	CONCRETE	10'-0"
2	LOBBY	WOOD (SEE ALT. NO. 4)	WOOD (SEE ALT. NO. 4)	WOOD (SEE ALT. NO. 4)	WOOD (SEE ALT. NO. 4)	10'-0"
3	CONCESSION	WOOD (SEE ALT. NO. 4)	WOOD (SEE ALT. NO. 4)	WOOD (SEE ALT. NO. 4)	WOOD (SEE ALT. NO. 4)	10'-0"
4	REST	WOOD (SEE ALT. NO. 4)	WOOD (SEE ALT. NO. 4)	WOOD (SEE ALT. NO. 4)	WOOD (SEE ALT. NO. 4)	10'-0"
5	WOMEN	WOOD (SEE ALT. NO. 4)	WOOD (SEE ALT. NO. 4)	WOOD (SEE ALT. NO. 4)	WOOD (SEE ALT. NO. 4)	10'-0"
6	JANTOX & STORAGE	WOOD (SEE ALT. NO. 4)	WOOD (SEE ALT. NO. 4)	WOOD (SEE ALT. NO. 4)	WOOD (SEE ALT. NO. 4)	10'-0"
7	GYMNASIUM	WOOD (SEE ALT. NO. 4)	WOOD (SEE ALT. NO. 4)	WOOD (SEE ALT. NO. 4)	WOOD (SEE ALT. NO. 4)	10'-0"
8	WATER HEATER	WOOD (SEE ALT. NO. 4)	WOOD (SEE ALT. NO. 4)	WOOD (SEE ALT. NO. 4)	WOOD (SEE ALT. NO. 4)	10'-0"
9	SHOWER	WOOD (SEE ALT. NO. 4)	WOOD (SEE ALT. NO. 4)	WOOD (SEE ALT. NO. 4)	WOOD (SEE ALT. NO. 4)	10'-0"
10	DRY OFF	WOOD (SEE ALT. NO. 4)	WOOD (SEE ALT. NO. 4)	WOOD (SEE ALT. NO. 4)	WOOD (SEE ALT. NO. 4)	10'-0"
11	FOYER	WOOD (SEE ALT. NO. 4)	WOOD (SEE ALT. NO. 4)	WOOD (SEE ALT. NO. 4)	WOOD (SEE ALT. NO. 4)	10'-0"
12	OFFICE	WOOD (SEE ALT. NO. 4)	WOOD (SEE ALT. NO. 4)	WOOD (SEE ALT. NO. 4)	WOOD (SEE ALT. NO. 4)	10'-0"
13	BOYS LOCKERS	WOOD (SEE ALT. NO. 4)	WOOD (SEE ALT. NO. 4)	WOOD (SEE ALT. NO. 4)	WOOD (SEE ALT. NO. 4)	10'-0"
14	STORAGE	WOOD (SEE ALT. NO. 4)	WOOD (SEE ALT. NO. 4)	WOOD (SEE ALT. NO. 4)	WOOD (SEE ALT. NO. 4)	10'-0"
15	STORAGE	WOOD (SEE ALT. NO. 4)	WOOD (SEE ALT. NO. 4)	WOOD (SEE ALT. NO. 4)	WOOD (SEE ALT. NO. 4)	10'-0"
16	GIRLS LOCKERS	WOOD (SEE ALT. NO. 4)	WOOD (SEE ALT. NO. 4)	WOOD (SEE ALT. NO. 4)	WOOD (SEE ALT. NO. 4)	10'-0"
17	OFFICE	WOOD (SEE ALT. NO. 4)	WOOD (SEE ALT. NO. 4)	WOOD (SEE ALT. NO. 4)	WOOD (SEE ALT. NO. 4)	10'-0"
18	FOYER	WOOD (SEE ALT. NO. 4)	WOOD (SEE ALT. NO. 4)	WOOD (SEE ALT. NO. 4)	WOOD (SEE ALT. NO. 4)	10'-0"
19	SHOWER	WOOD (SEE ALT. NO. 4)	WOOD (SEE ALT. NO. 4)	WOOD (SEE ALT. NO. 4)	WOOD (SEE ALT. NO. 4)	10'-0"
20	DRY OFF	WOOD (SEE ALT. NO. 4)	WOOD (SEE ALT. NO. 4)	WOOD (SEE ALT. NO. 4)	WOOD (SEE ALT. NO. 4)	10'-0"
21	WATER HEATER	WOOD (SEE ALT. NO. 4)	WOOD (SEE ALT. NO. 4)	WOOD (SEE ALT. NO. 4)	WOOD (SEE ALT. NO. 4)	10'-0"

DOOR SCHEDULE									
NR	W	H	T	DESCRIPTION	TYPE	FRAME	REMARKS		
1	3'-0"	7'-0"	134	HOL. MET. W/ GLASS LITE	A	HOL. MET.	W/ ALUM. THRESHOLD		
2	3'-0"	7'-0"	134	HOL. MET. W/ GLASS LITE	B	HOL. MET.	W/ ALUM. THRESHOLD		
3	3'-0"	7'-0"	134	HOL. MET. W/ GLASS LITE	C	HOL. MET.	W/ ALUM. THRESHOLD		
4	3'-0"	7'-0"	134	HOL. MET. W/ GLASS LITE	D	HOL. MET.	W/ ALUM. THRESHOLD		
5	3'-0"	7'-0"	134	HOL. MET. FLUSH	E	HOL. MET.	W/ ALUM. THRESHOLD		
6	3'-0"	7'-0"	134	HOL. MET. FLUSH	F	HOL. MET.	W/ ALUM. THRESHOLD		
7	3'-0"	7'-0"	134	HOL. MET. FULLY LOUVERED	G	HOL. MET.	W/ ALUM. THRESHOLD		
8	3'-0"	7'-0"	134	HOL. MET. FULLY LOUVERED	H	HOL. MET.	W/ ALUM. THRESHOLD		
9	3'-0"	7'-0"	134	INT. EX. FLUSH PAINT GRADE BIRCH	I	HOL. MET.	W/ GLASS LITE		
10	3'-0"	7'-0"	134	INT. EX. FLUSH PAINT GRADE BIRCH	J	HOL. MET.	W/ GLASS LITE		
11	3'-0"	7'-0"	134	INT. EX. FLUSH PAINT GRADE BIRCH	K	HOL. MET.	W/ GLASS LITE		
12	3'-0"	7'-0"	134	INT. EX. FLUSH PAINT GRADE BIRCH	L	HOL. MET.	W/ GLASS LITE		
13	3'-0"	7'-0"	134	INT. EX. FLUSH PAINT GRADE BIRCH	M	HOL. MET.	W/ GLASS LITE		
14	3'-0"	7'-0"	134	INT. EX. FLUSH PAINT GRADE BIRCH	N	HOL. MET.	W/ GLASS LITE		
15	3'-0"	7'-0"	134	INT. EX. FLUSH PAINT GRADE BIRCH	O	HOL. MET.	W/ GLASS LITE		
16	3'-0"	7'-0"	134	INT. EX. FLUSH PAINT GRADE BIRCH	P	HOL. MET.	W/ GLASS LITE		
17	3'-0"	7'-0"	134	INT. EX. FLUSH PAINT GRADE BIRCH	Q	HOL. MET.	W/ GLASS LITE		
18	3'-0"	7'-0"	134	INT. EX. FLUSH PAINT GRADE BIRCH	R	HOL. MET.	W/ GLASS LITE		
19	3'-0"	7'-0"	134	INT. EX. FLUSH PAINT GRADE BIRCH	S	HOL. MET.	W/ GLASS LITE		
20	3'-0"	7'-0"	134	INT. EX. FLUSH PAINT GRADE BIRCH	T	HOL. MET.	W/ GLASS LITE		
21	3'-0"	7'-0"	134	INT. EX. FLUSH PAINT GRADE BIRCH	U	HOL. MET.	W/ GLASS LITE		
22	3'-0"	7'-0"	134	INT. EX. FLUSH PAINT GRADE BIRCH	V	HOL. MET.	W/ GLASS LITE		



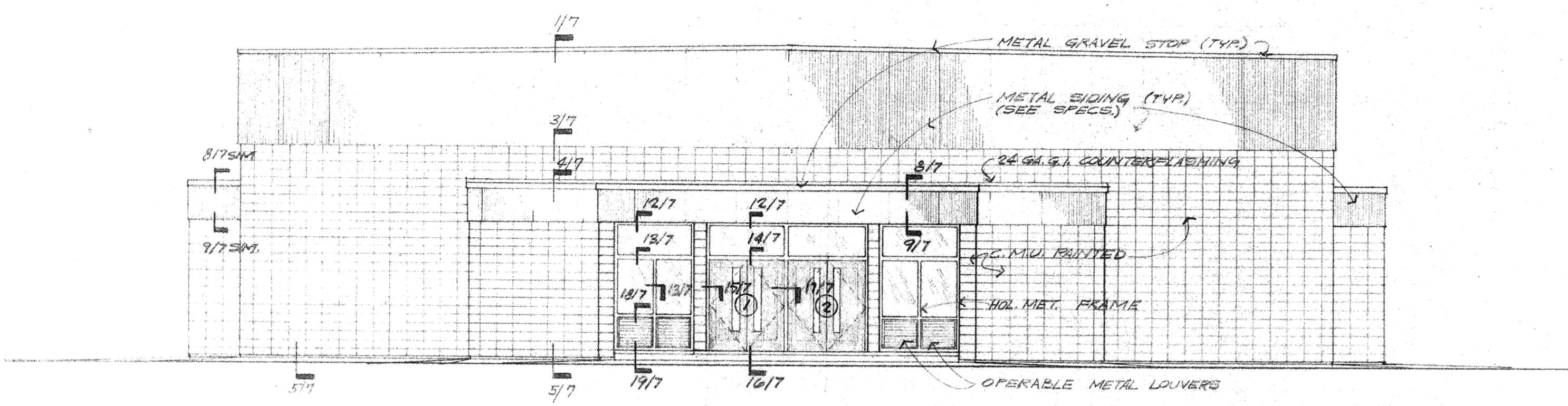
project no. 5108  
 drawn. PMS  
 checked SHH  
 date 2-9-72  
 revised



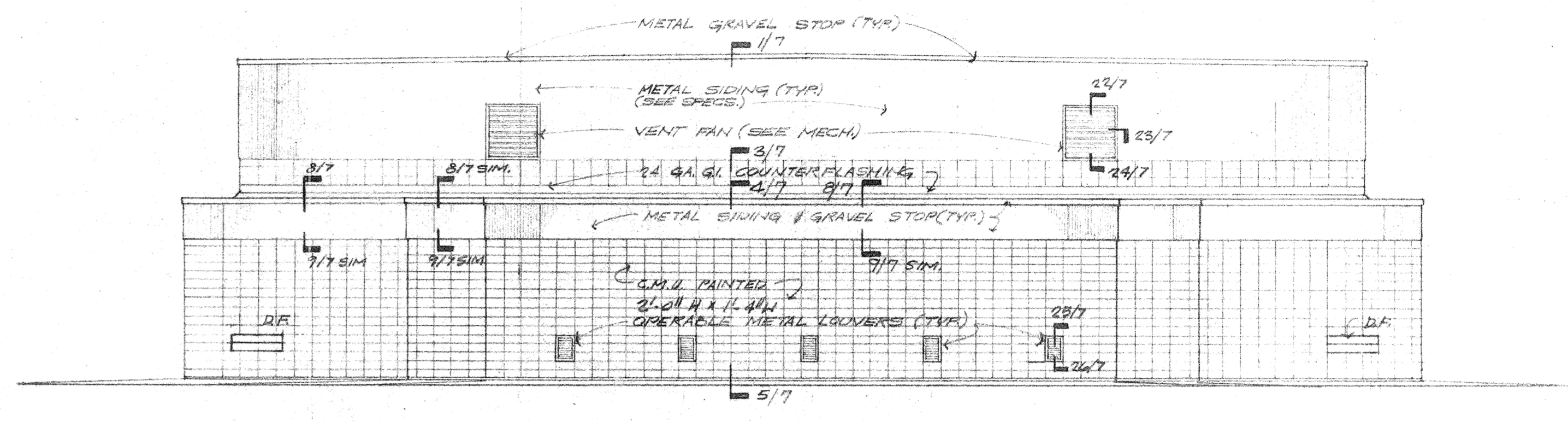
**HAMILTON, MEYER and ASSOCIATES, INC.**  
 ARCHITECT and ENGINEER

GYMNASIUM EXTERIOR ELEVATIONS & SECTION  
 ADDITIONS TO BOYET JUNIOR HIGH SCHOOL  
 SLIDELL, LOUISIANA  
 ST. TAMMANY PARISH SCHOOL BOARD, OWNER

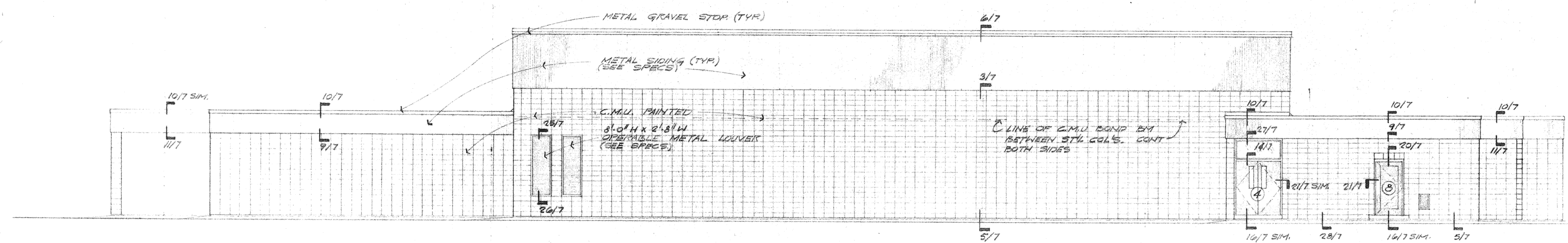
sheet no.  
**5**  
 of 7 sheets



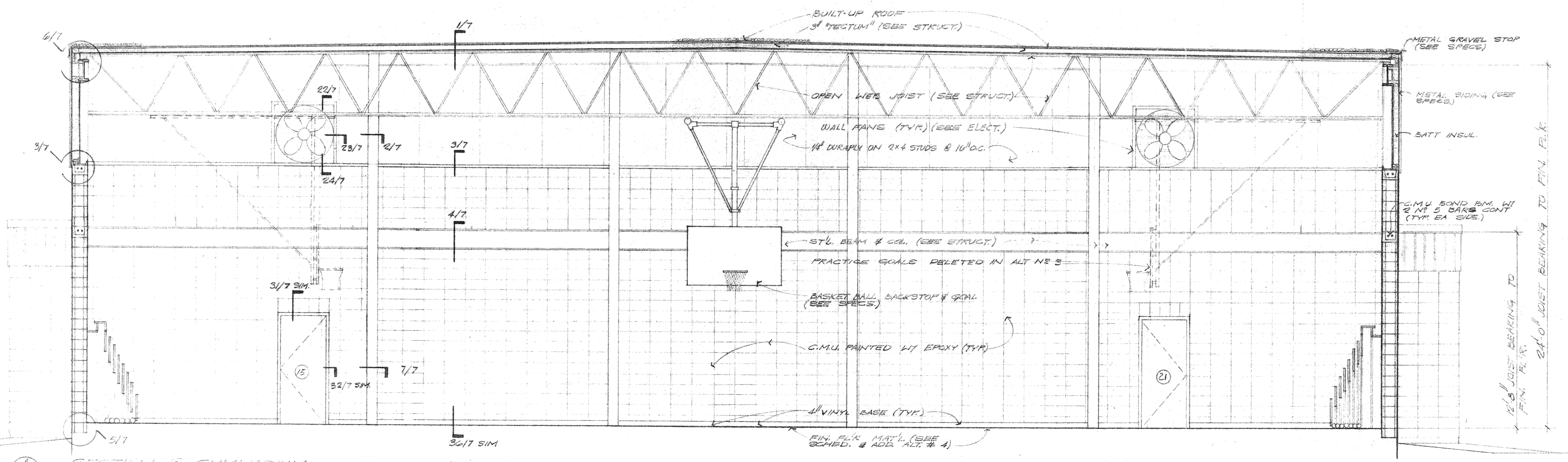
**SOUTH ELEVATION**  
 SCALE: 1/8" = 1'-0"



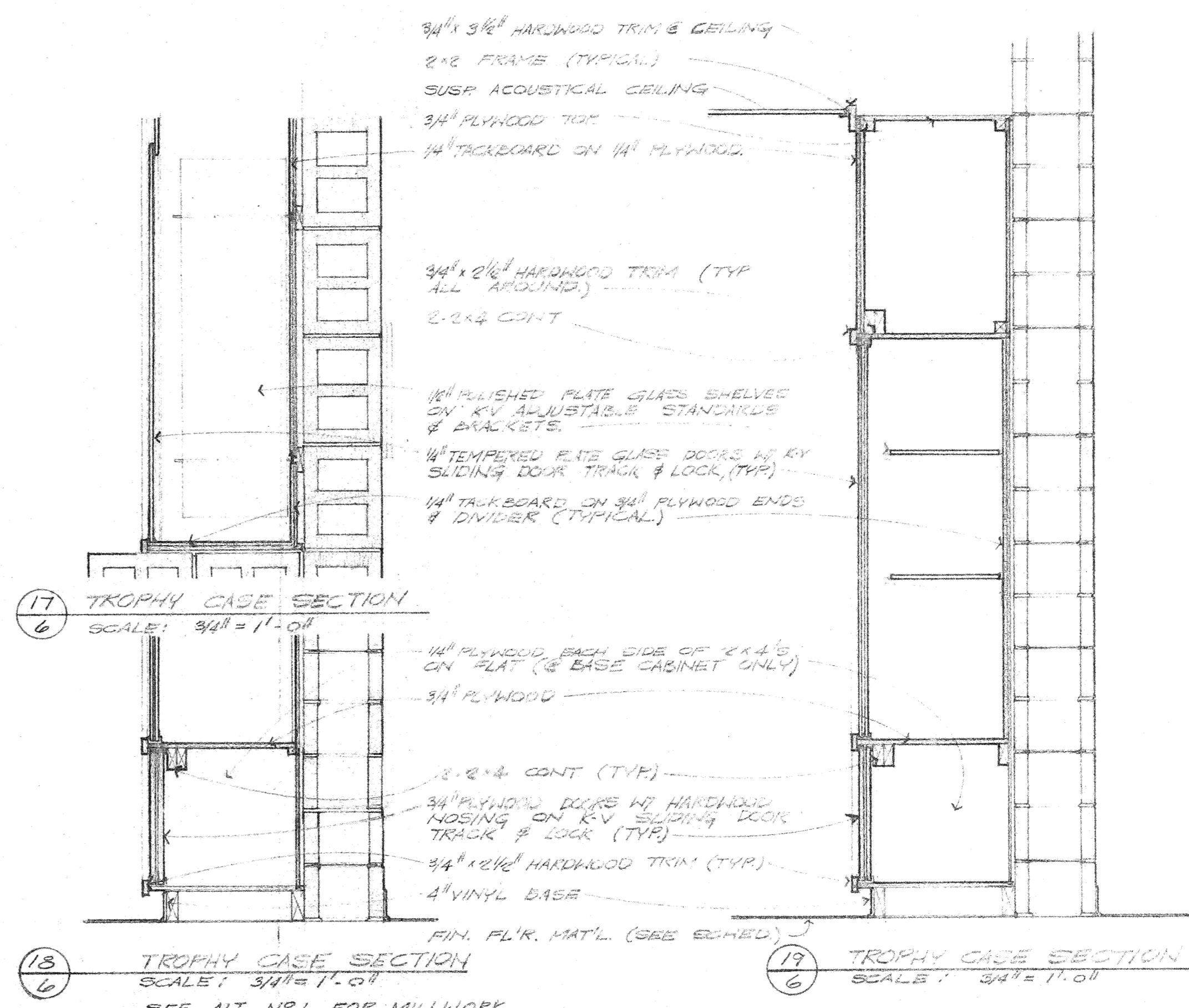
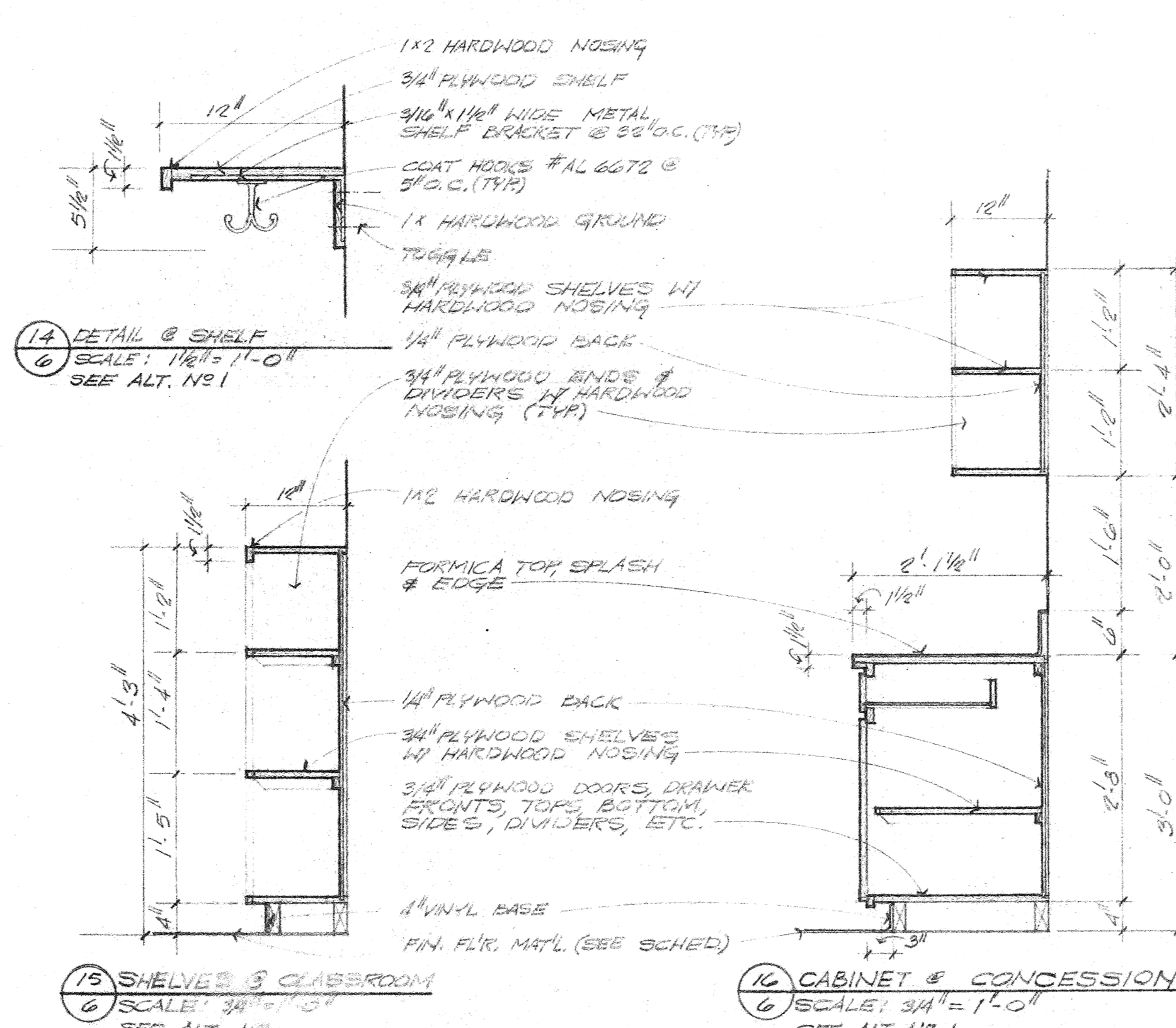
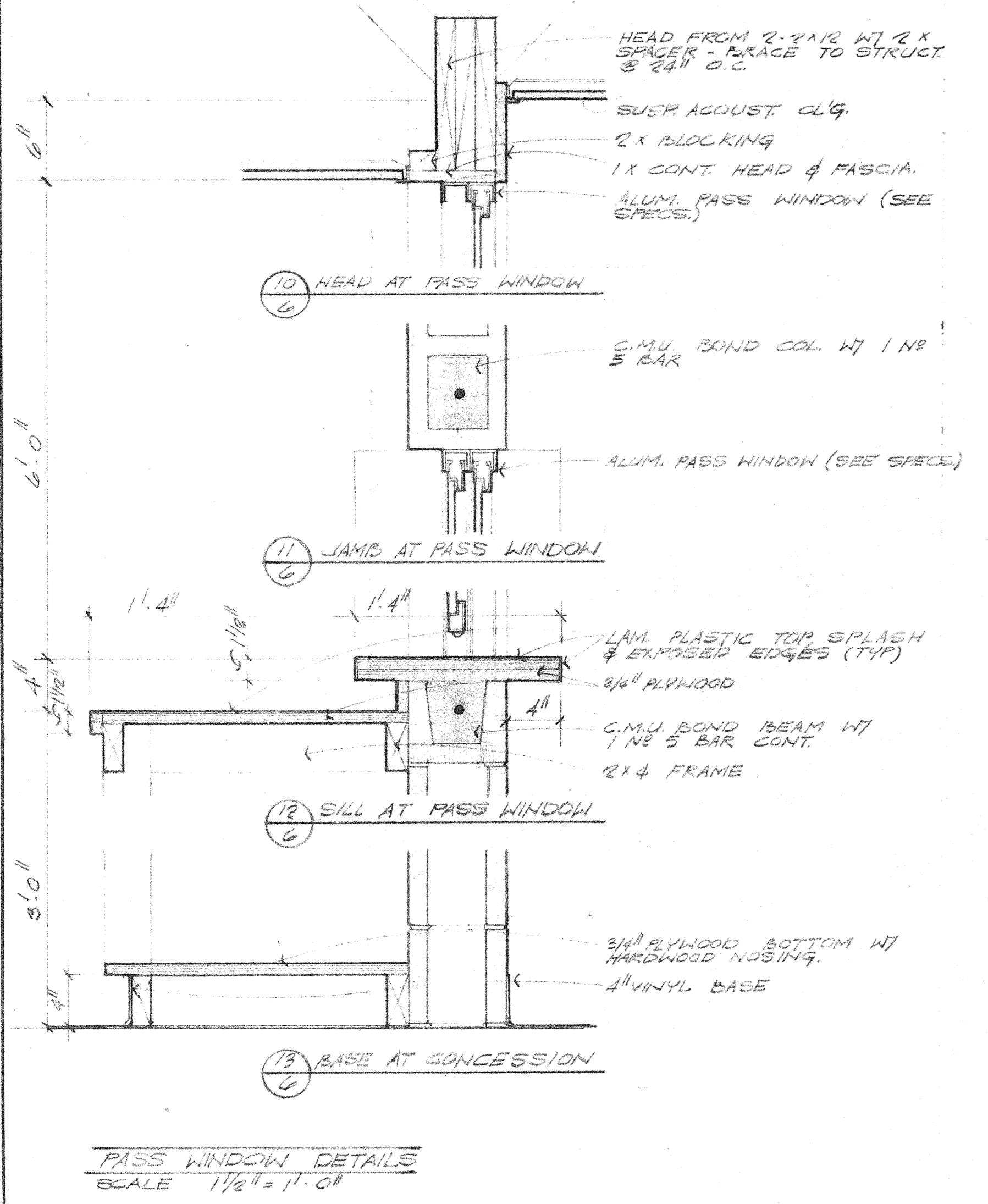
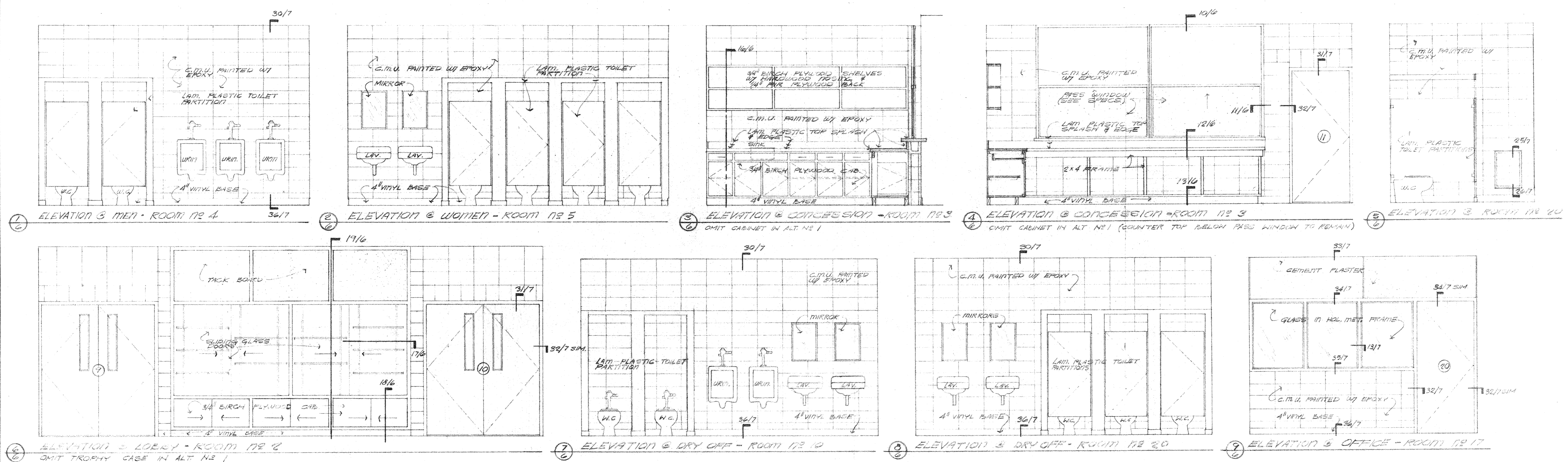
**NORTH ELEVATION**  
 SCALE: 1/8" = 1'-0"

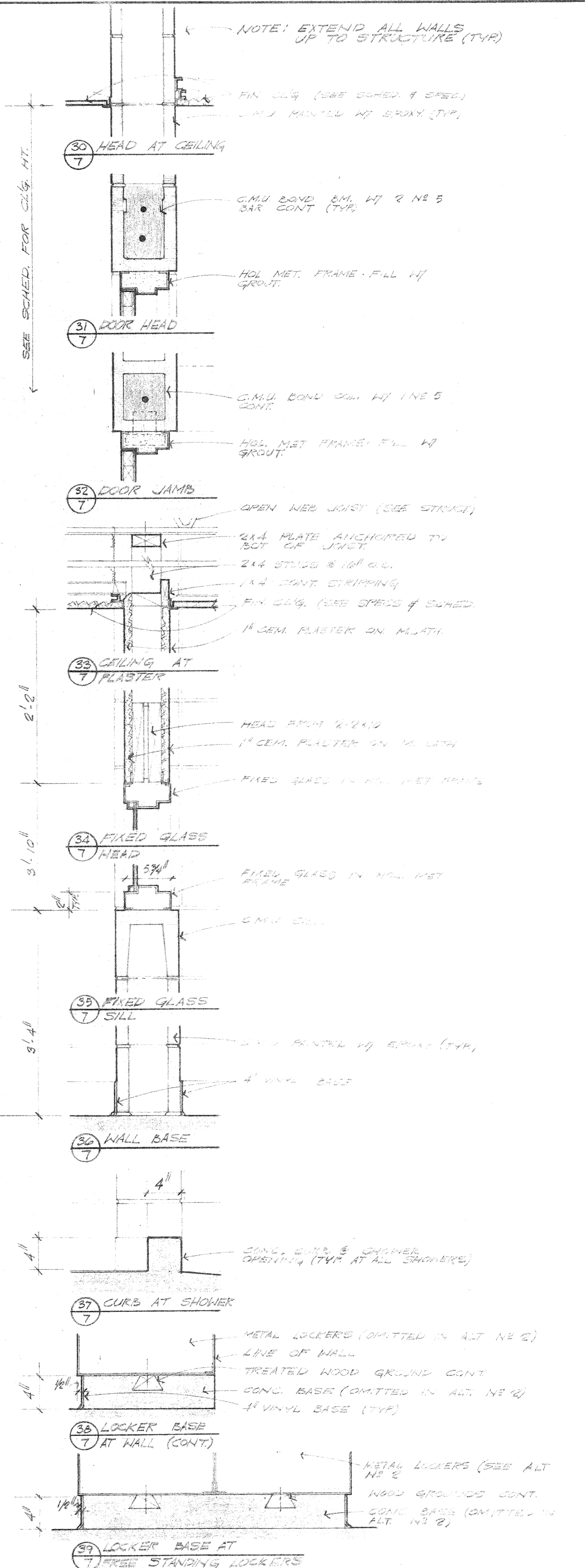
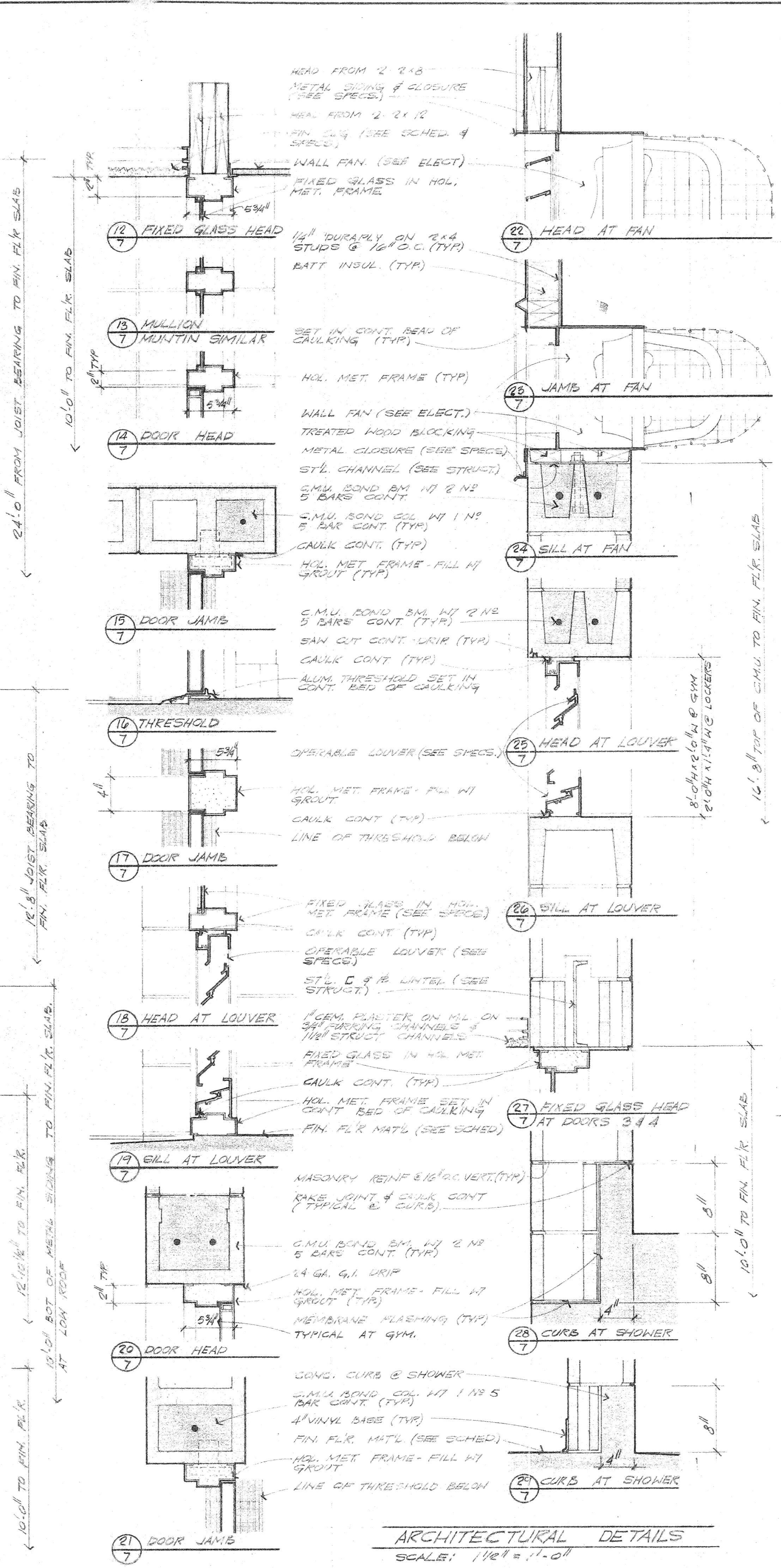
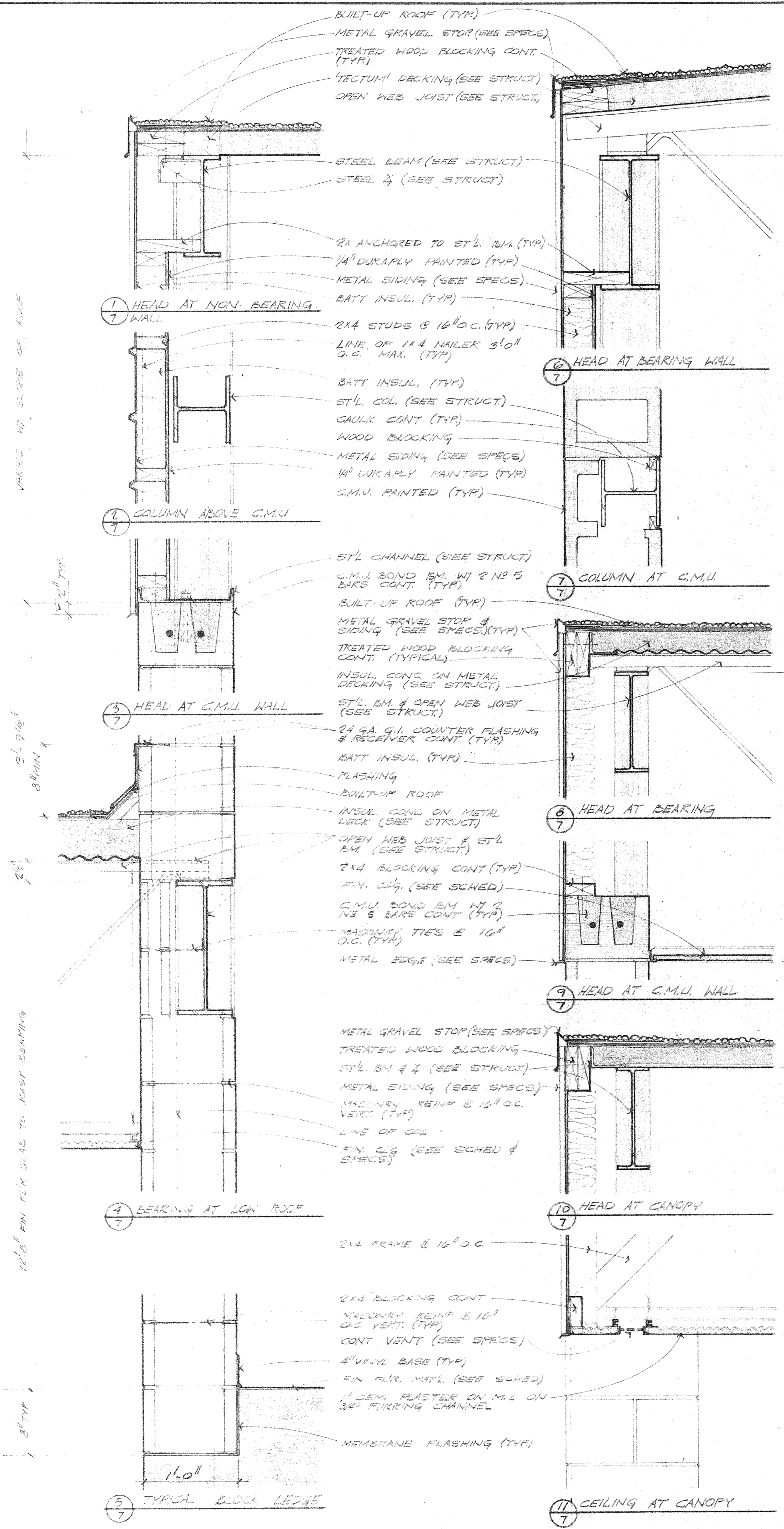


**EAST ELEVATION**  
 SCALE: 1/8" = 1'-0"

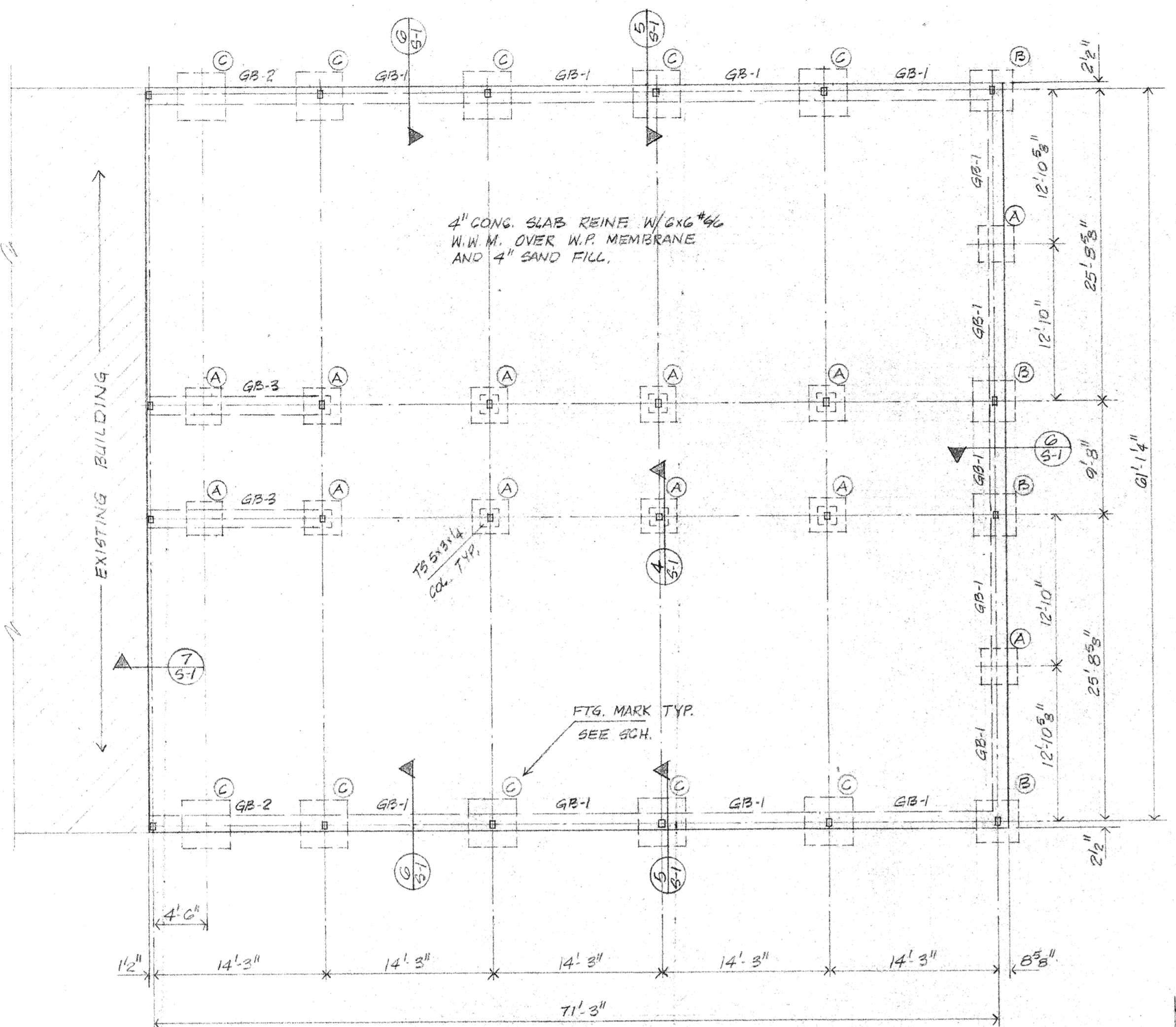


**SECTION 5 GYMNASIUM**  
 SCALE: 1/4" = 1'-0"





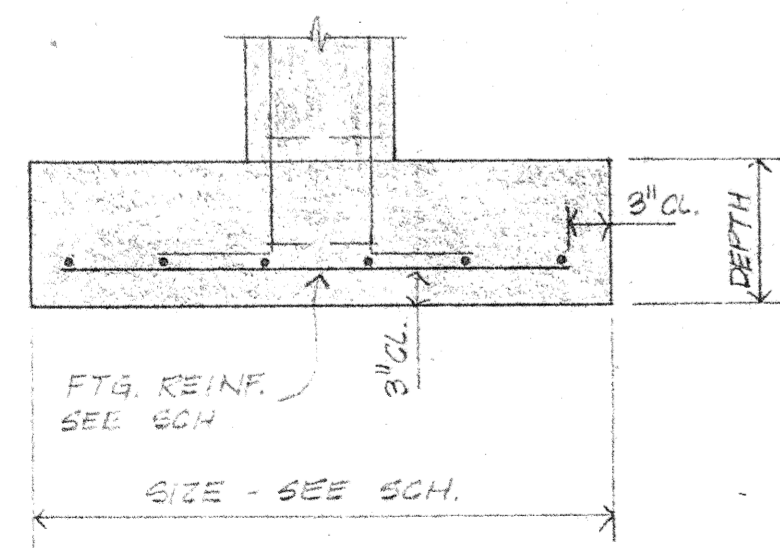
ARCHITECTURAL DETAILS  
SCALE: 1/2" = 1'-0"



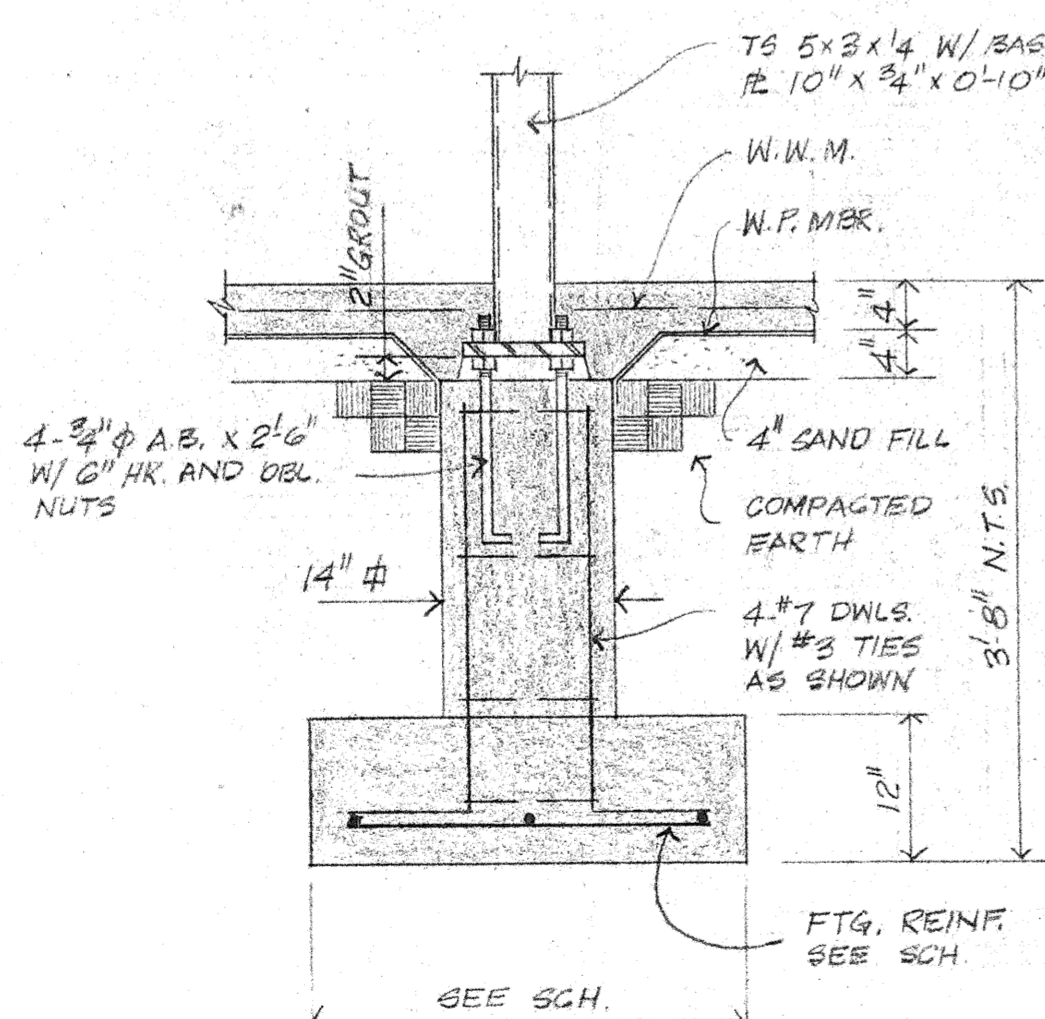
NOTE: SEE ARCH. FOR ALL WALKS ETC. NOT SHOWN ON THIS PLAN.

1 CLASSROOM FOUNDATION PLAN  
SCALE: 1/8" = 1'-0"

MARK	DEPTH	SIZE	REINF.
A	12"	3'-0" x 3'-0"	3-#5
B	12"	3'-0" x 2'-6"	2-#5
C	12"	2'-0" x 2'-0"	2-#5

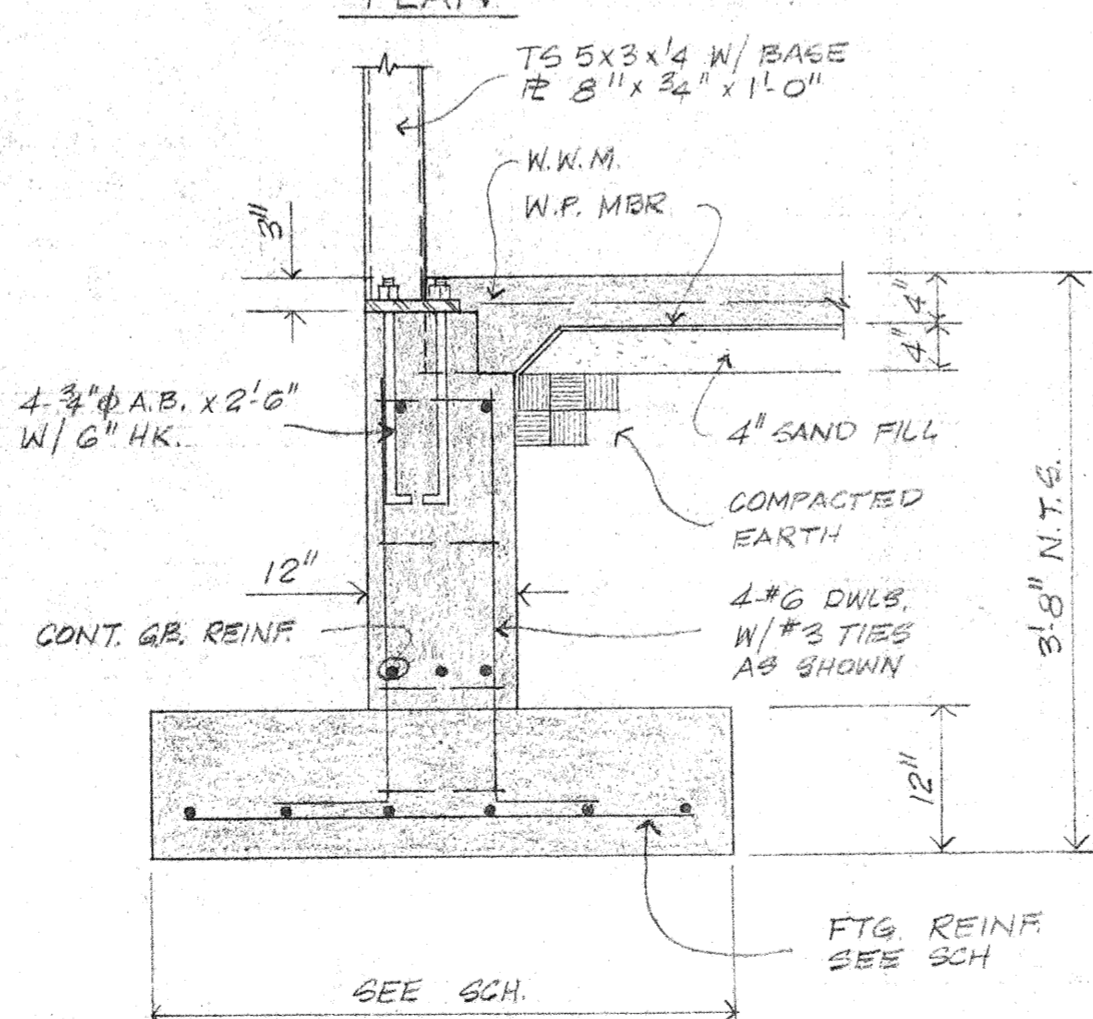


3 TYP. SPREAD FTG. DTL.  
N.T.S.  
RE: 1-51



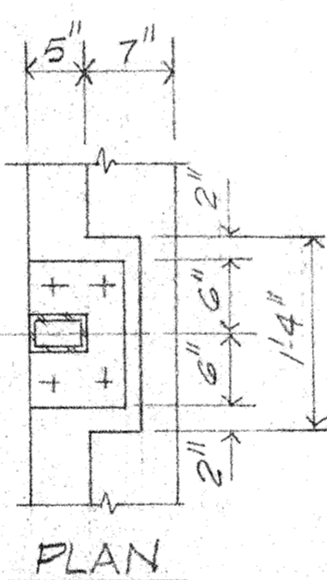
NOTE: ADJ. TO EXIST. BLDG. USE BASE R. 9" x 2 1/2" x 1'-11" W/ 2-#4 @ A.B.

4 SECTION  
SCALE: 3/4" = 1'-0"  
RE: 1-51

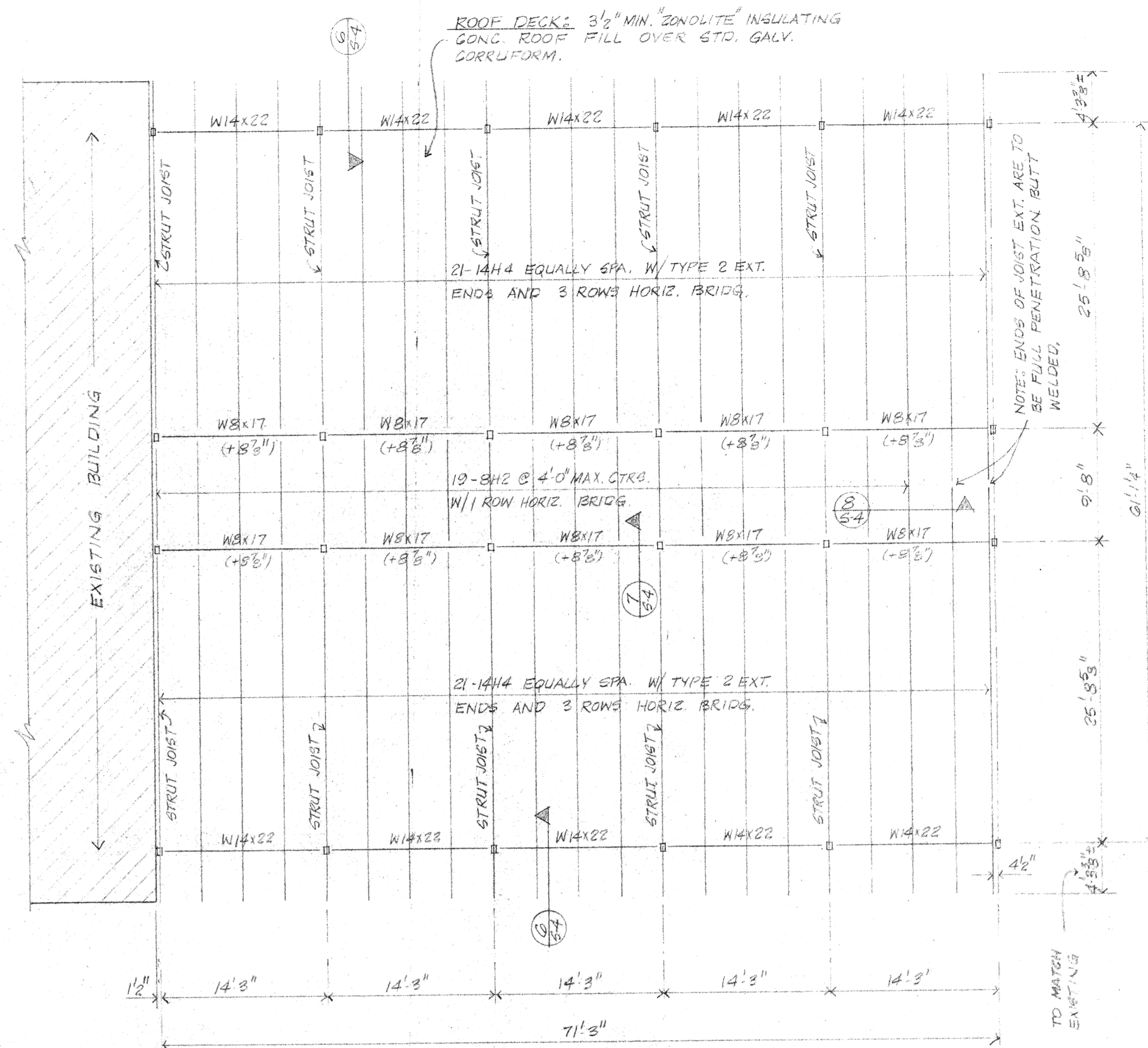


NOTE: ADJ. TO EXIST. BLDG. USE BASE R. 8" x 2 1/2" x 1'-10" W/ 2-#4 @ A.B.

5 SECTION  
SCALE: 3/4" = 1'-0"  
RE: 1-51

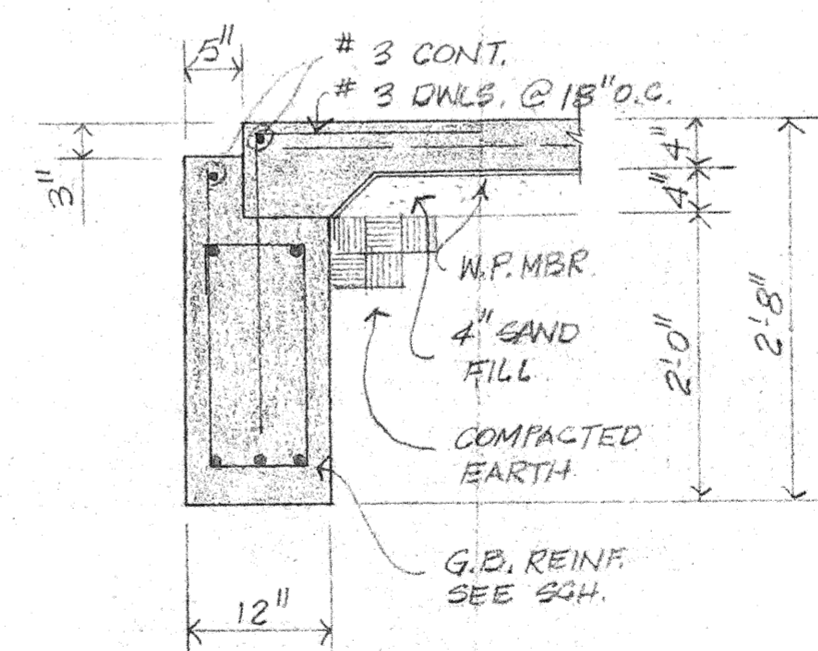


PLAN

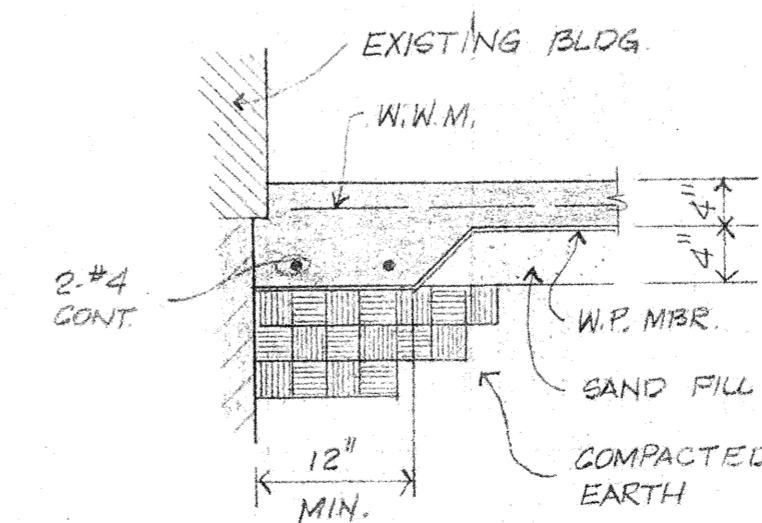


NOTE: STRUT JOISTS ARE JOISTS HAVING A BOT. CHORD THE SAME SIZE AS THE TOP CHORD.

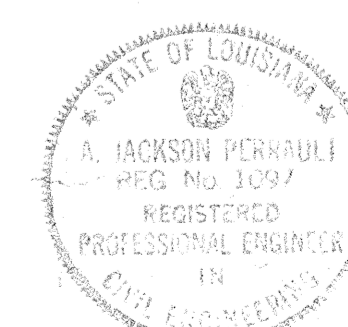
2 CLASSROOM ROOF FRAMING PLAN  
SCALE: 1/8" = 1'-0"



6 SECTION  
SCALE: 3/4" = 1'-0"  
RE: 1-51



7 SECTION  
SCALE: 3/4" = 1'-0"  
RE: 1-51



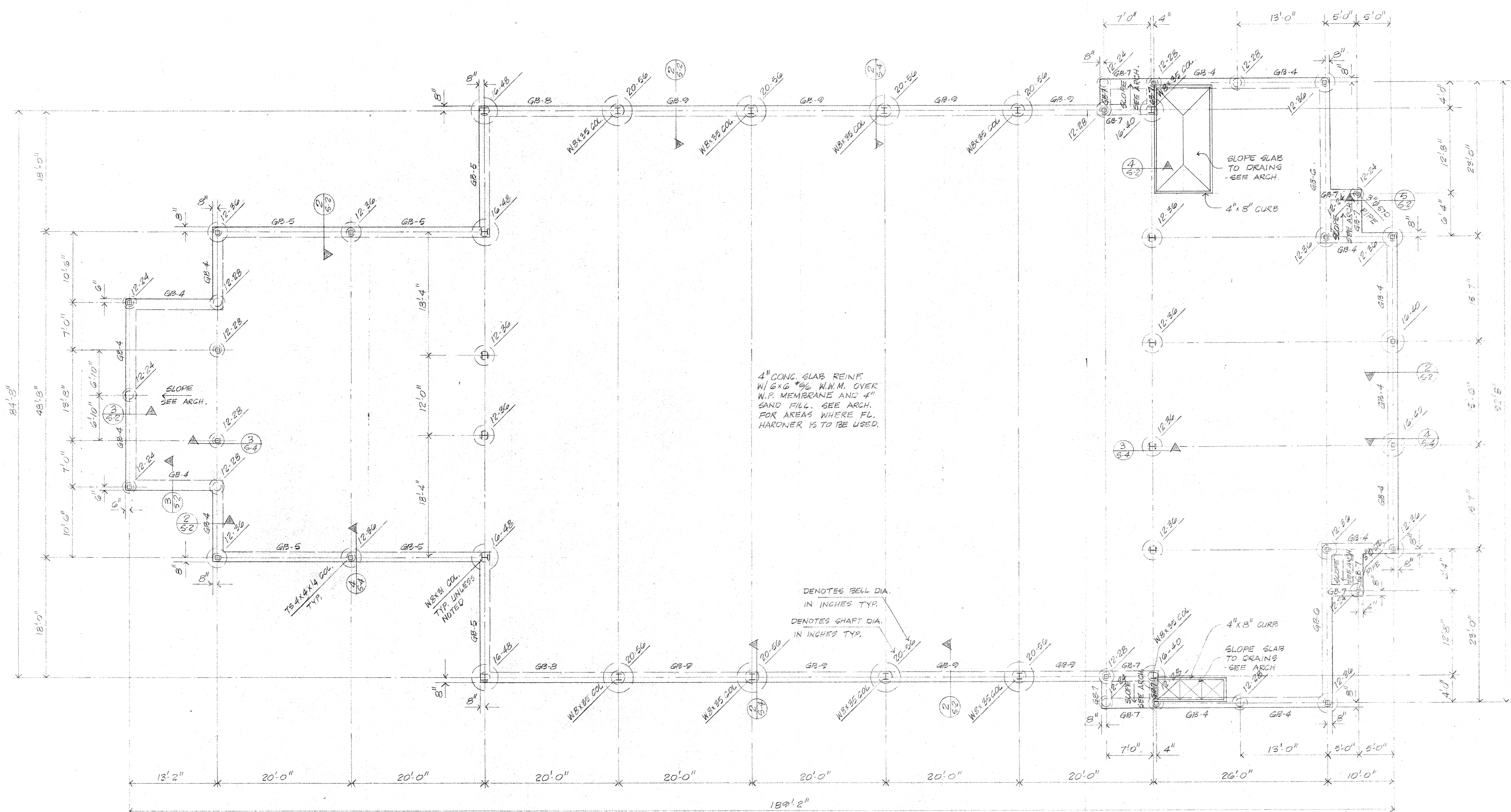
PERRAULT & PERRAULT  
CONSULTING ENGINEERS  
BATON ROUGE, LOUISIANA

Project no. 5106  
drawn  
checked  
date 2.9.59  
revised

HAMILTON, MEYER and ASSOCIATES, INC.  
ARCHITECT and ENGINEER

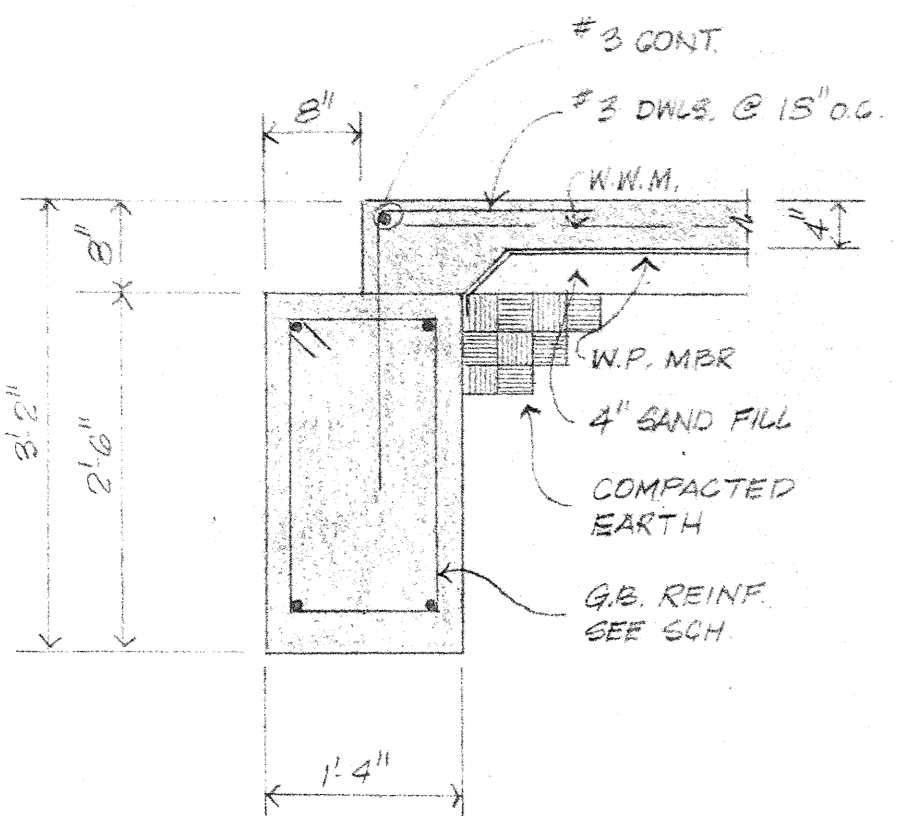
CLASSROOM- FOUNDATION & FRAMING PLAN, FOUNDATION DTLS.  
ADDITIONS TO BOYET JUNIOR HIGH SCHOOL  
SLIDELL, LOUISIANA  
ST. TAMMANY PARISH SCHOOL BOARD, OWNER

sheet no. 51  
of 5 sheets

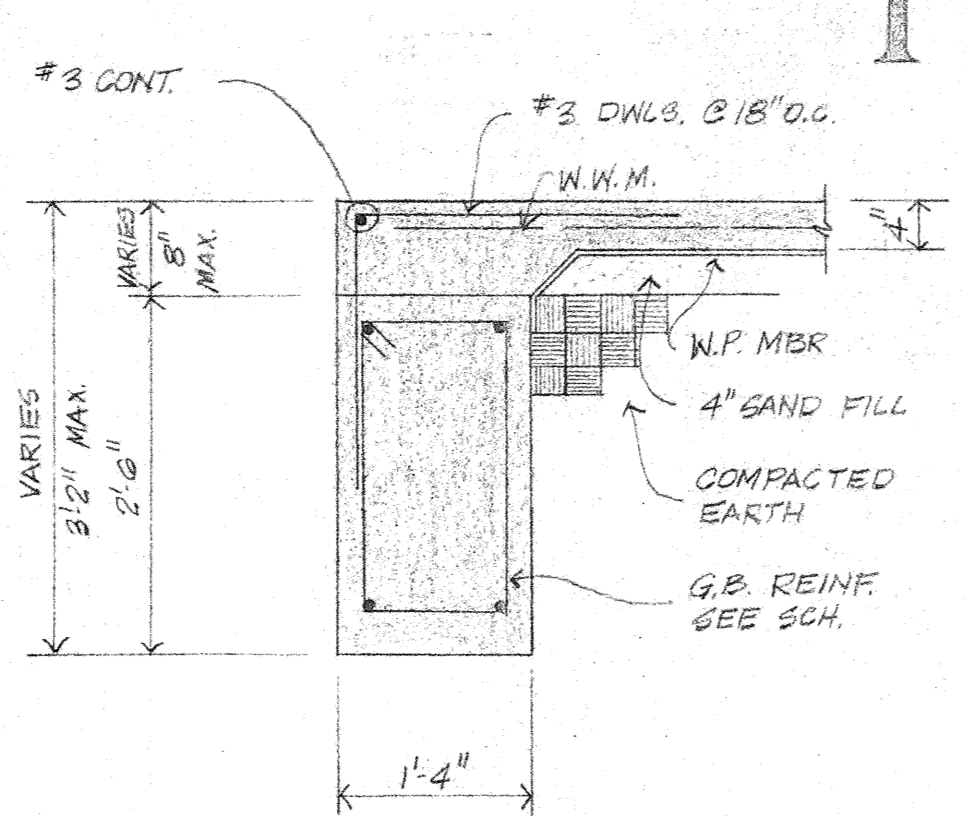


NOTE: SEE ARCH. FOR ALL WALKS, ETC.  
 NOT SHOWN ON THIS PLAN

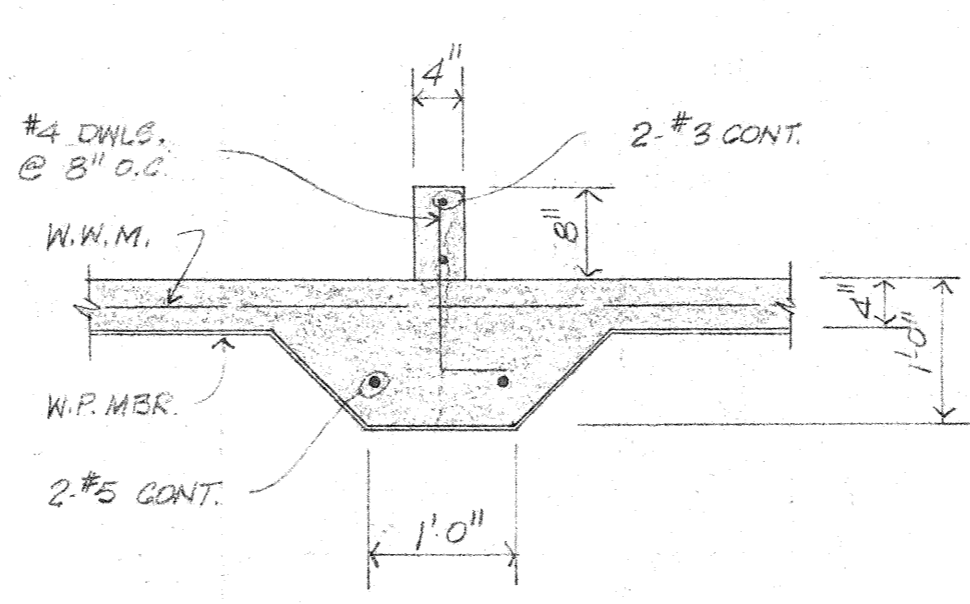
**1 FOUNDATION PLAN-GYMNASIUM**  
 SCALE: 1/8" = 1'-0"



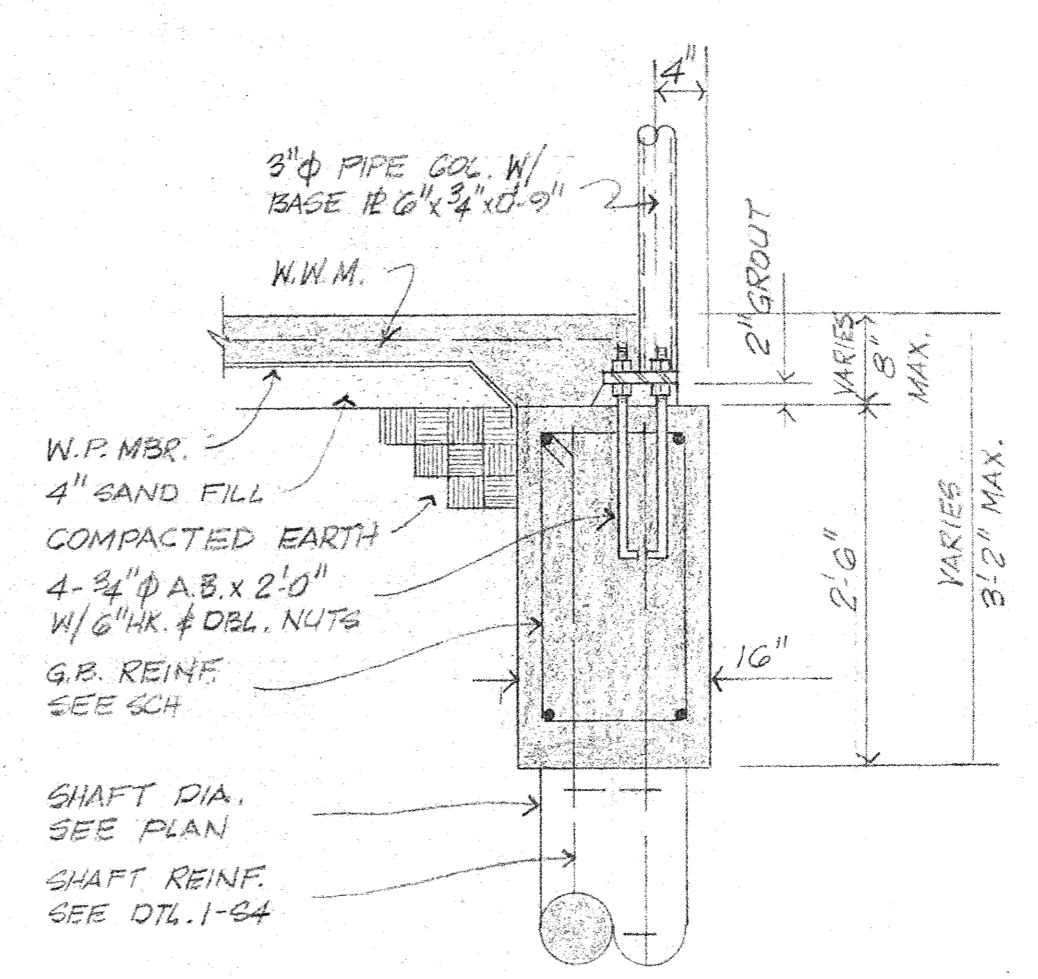
**2 SECTION**  
 SCALE: 3/4" = 1'-0"  
 RE: 1-52



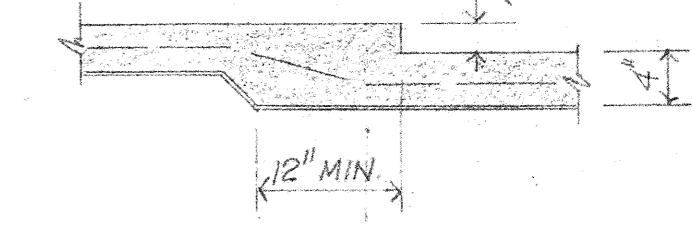
**3 SECTION**  
 SCALE: 3/4" = 1'-0"  
 RE: 1-52



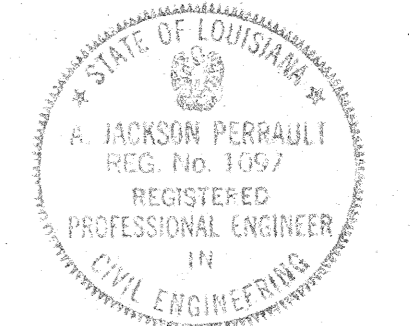
**4 SECTION**  
 SCALE: 3/4" = 1'-0"  
 RE: 1-52



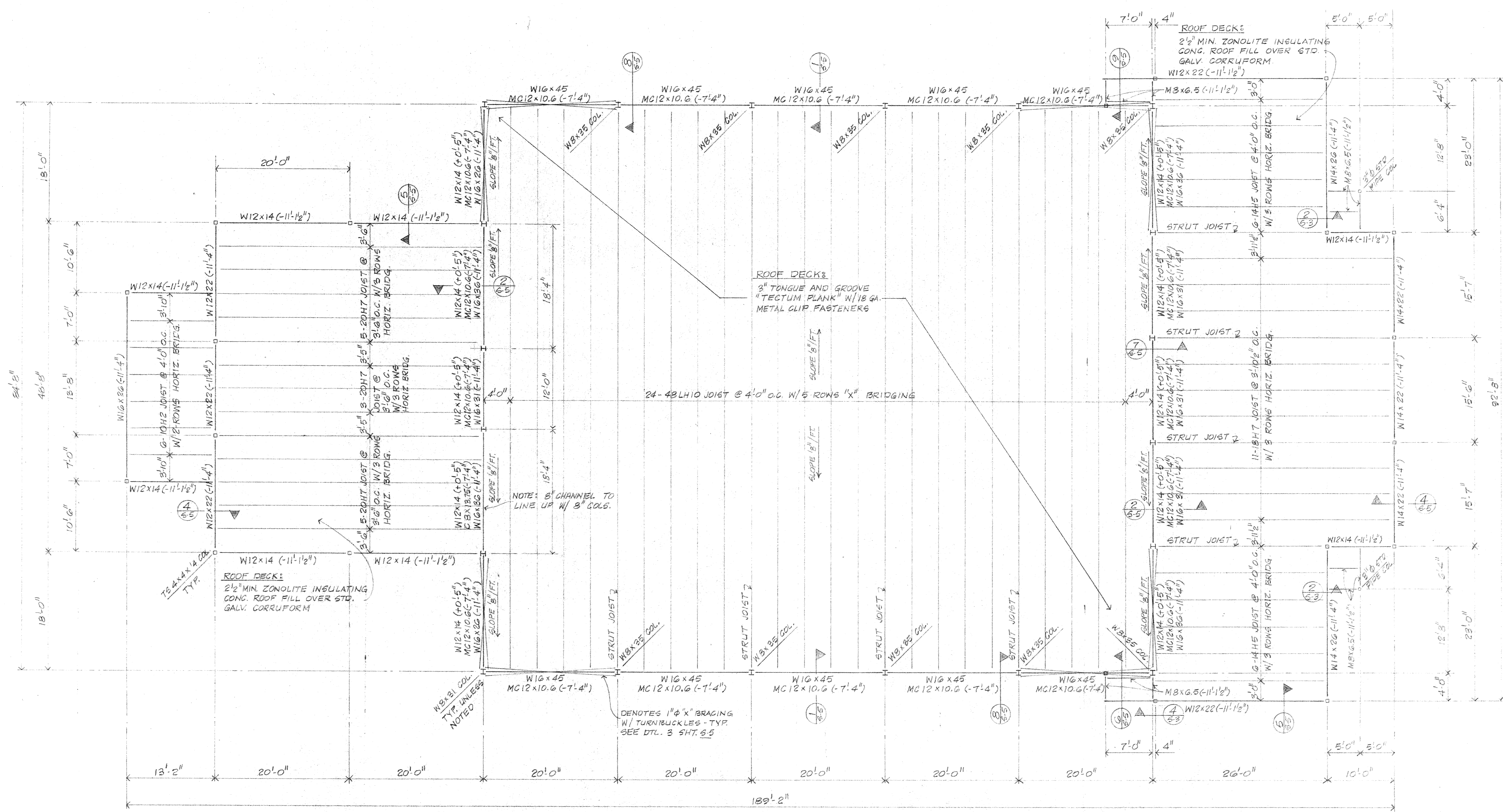
**5 SECTION**  
 SCALE: 3/4" = 1'-0"  
 RE: 1-52



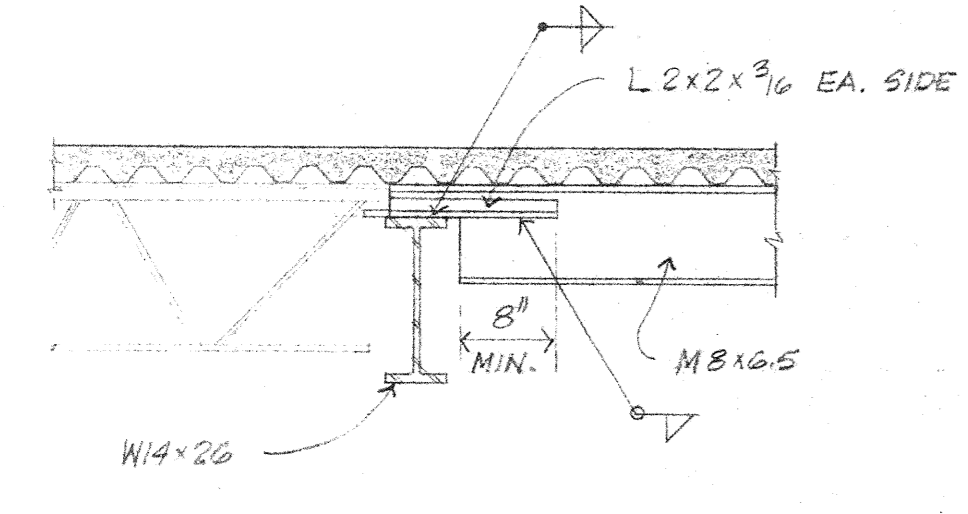
**6 TYPICAL SLAB DEPRESSION DETAIL**  
 N.T.S.  
 SEE ARCH. FOR LOCATION



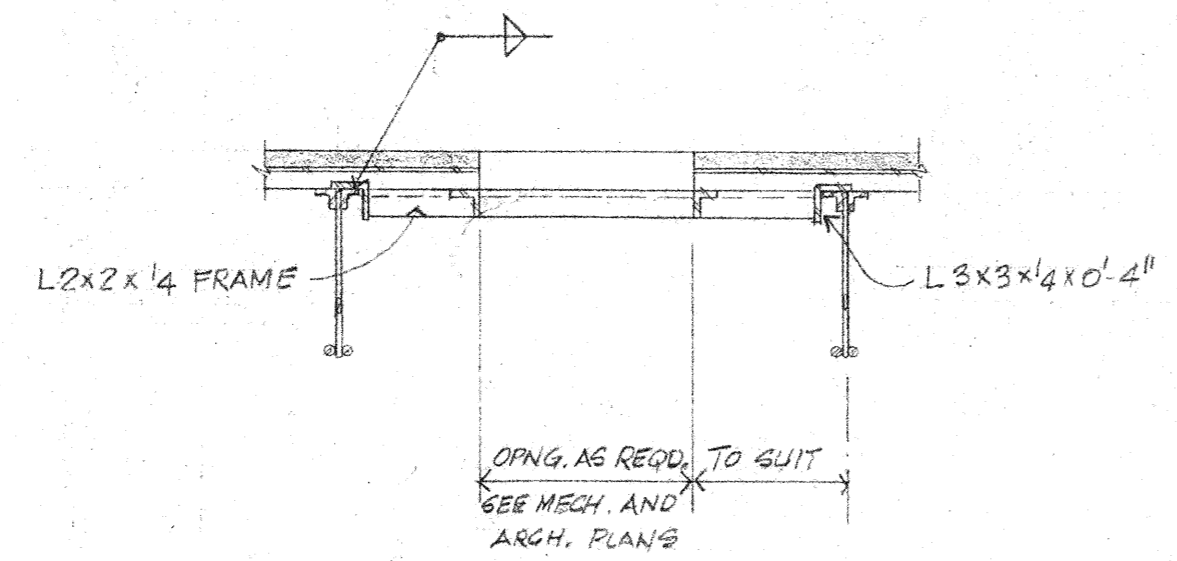
PERRAULT & PERRAULT  
 CONSULTING ENGINEERS  
 BATON ROUGE, LOUISIANA



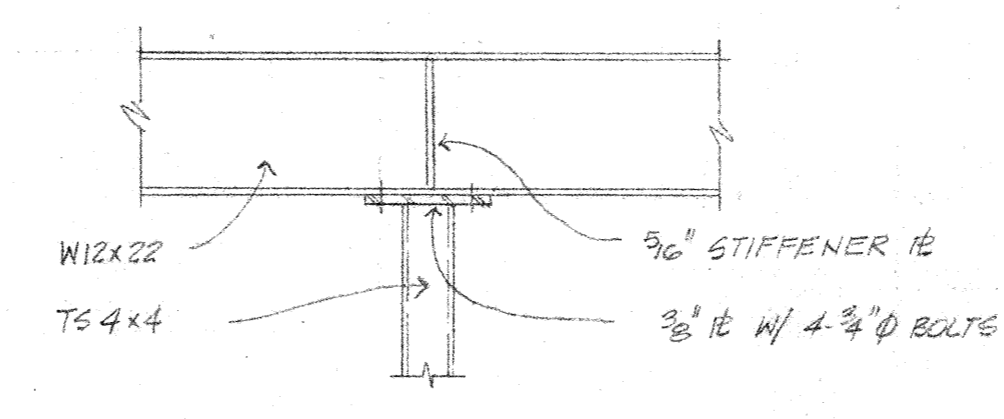
NOTE: STRUT JOISTS ARE JOISTS HAVING A BOT. CHORD THE SAME SIZE AS THE TOP CHORD.  
**GYMNASIUM ROOF FRAMING PLAN**  
 1/8" = 1'-0"



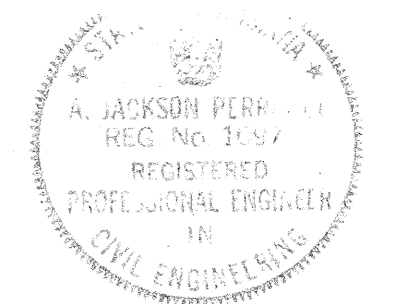
**2 SECTION**  
 SCALE: 3/4" = 1'-0"  
 RE: 1-63



**3 TYP. ROOF OPNG. DTL.**  
 N.T.S.  
 RE: 2-51, 1-63



**4 SECTION**  
 SCALE: 3/4" = 1'-0"  
 RE: 1-63



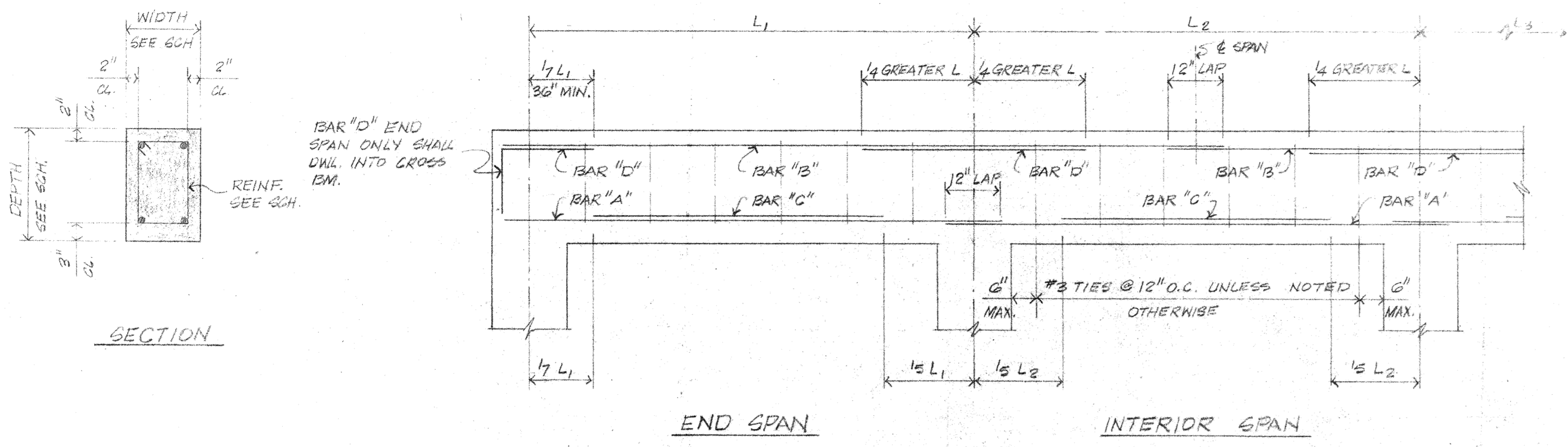
PERRAULT & PERRAULT  
 CONSULTING ENGINEERS  
 BATON ROUGE, LOUISIANA

Project no.	5-3
Drawn	
Checked	
Date	5-7-63
Revised	

**HAMILTON, MEYER and ASSOCIATES, INC.**  
 ARCHITECT and ENGINEER

GYMNASIUM - FRAMING PLAN, DETAILS  
**ADDITIONS TO BOYET JUNIOR HIGH SCHOOL**  
 SLIDELL, LOUISIANA  
 ST. TAMMANY PARISH SCHOOL BOARD, OWNER

sheet no.  
**5-3**  
 of sheets

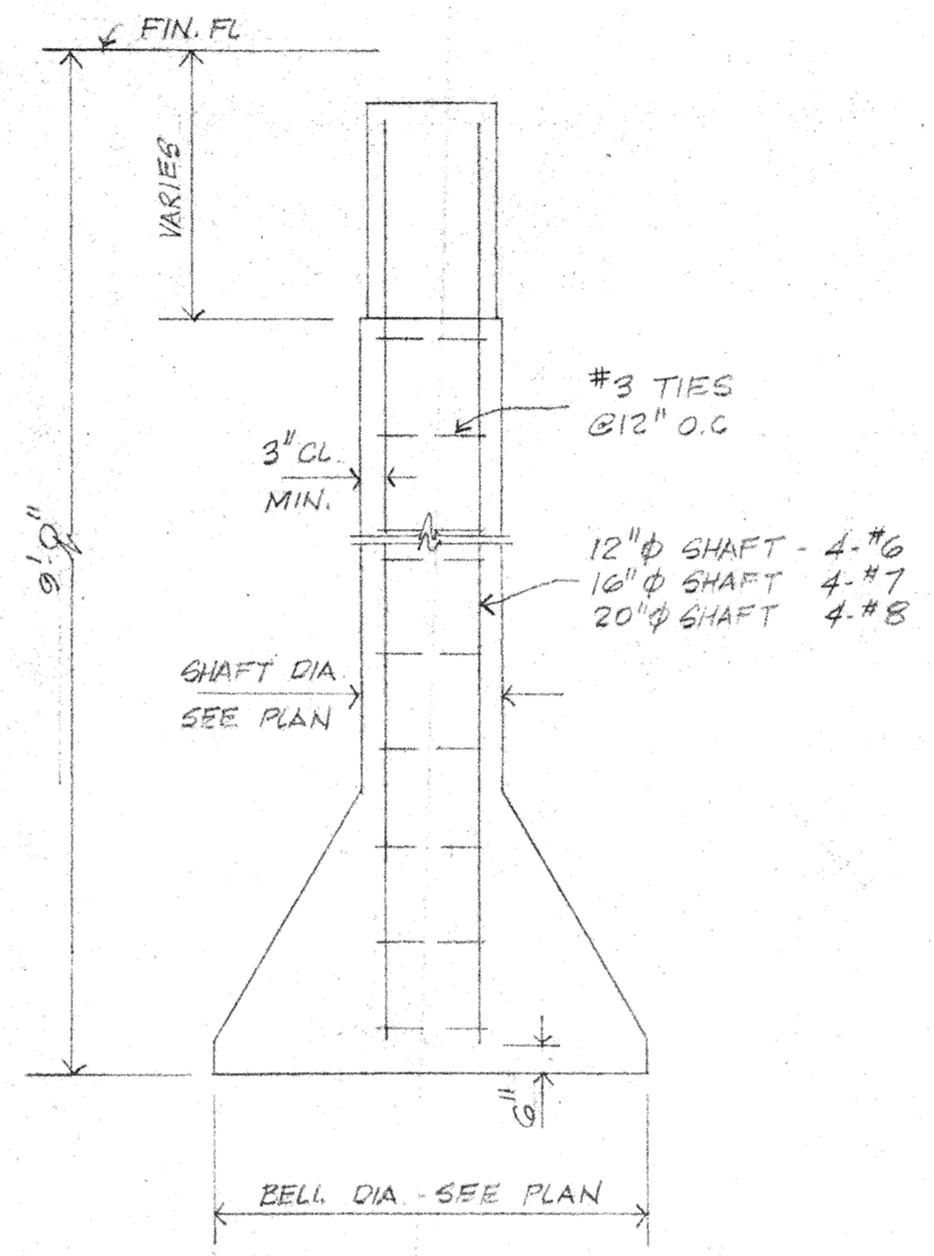


TYPICAL GRADE BEAM REINFORCING DETAIL

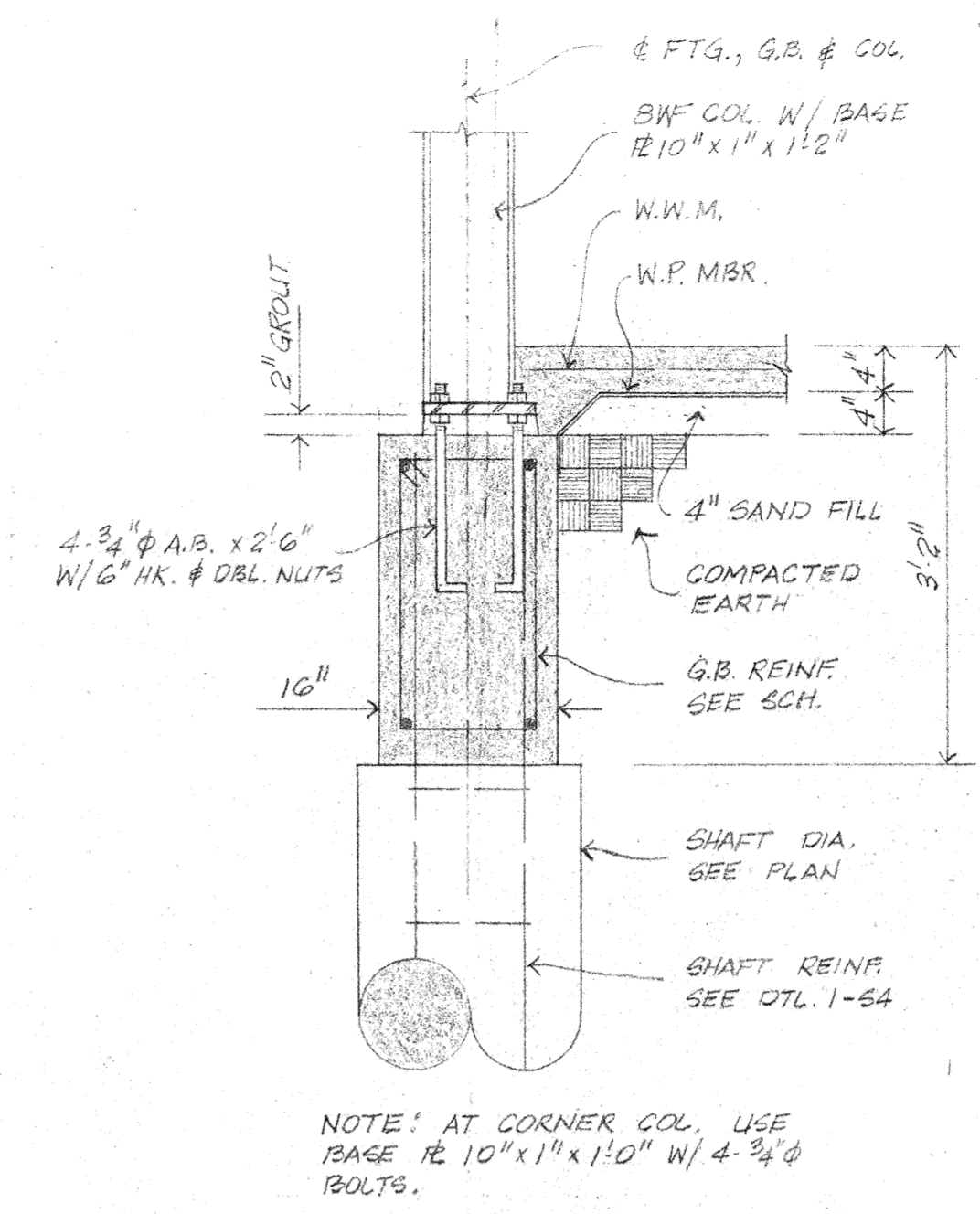
GRADE BEAM NOTES:

- WHERE BAR "B" CHANGES SIZE, THE LARGER BAR SHALL BE CARRIED TO THE MID-POINT OF THE ADJACENT SPAN.
- THE LARGER BAR "D" AT THE COMMON SUPPORT SHALL GOVERN.
- WHERE NECESSARY SPLICE BAR "A" OVER THE SUPPORTS AND BAR "B" AT END OF SPAN.
- CONSTRUCTION JOINTS SHALL BE LOCATED AT THE MIDDLE OF THE SPAN UNLESS A CROSS BEAM OCCURS IN THE IMMEDIATE VICINITY.

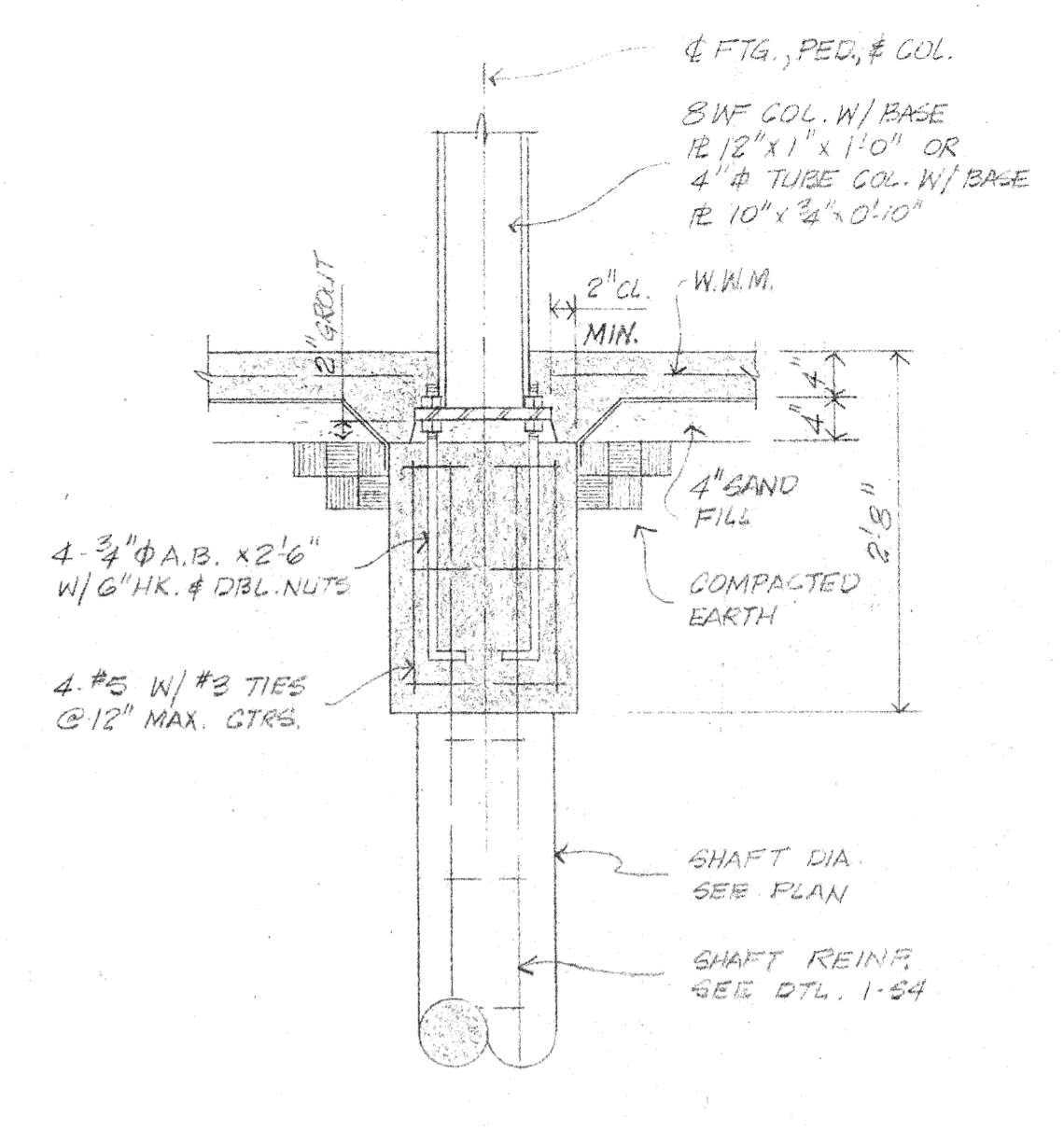
GRADE BEAM SCHEDULE								
MARK	WIDTH	DEPTH	BAR "A"	BAR "B"	BAR "C"	BAR "D"	STIRRUPS	REMARKS
GB-1	12"	24"	2-#6	2-#5	1-#7	2-#5 EA. END	#3 @ 12" O.C.	
GB-2	12"	24"	2-#6	4-#6	1-#6	---	#3 @ 12" O.C.	EXTEND BAR "A" AND "B" FULL LENGTH OF CANT. W/ #3 STIRRUPS @ 12"
GB-3	14"	24"	2-#6	4-#6	1-#6	---	#3 @ 12" O.C.	EXTEND BAR "A" AND "B" FULL LENGTH OF CANT. W/ #3 STIRRUPS @ 12"
GB-4	16"	30"	2-#8	2-#5	1-#6	2-#6 EA. END	#3 @ 12" O.C.	
GB-5	16"	30"	3-#7	2-#5	2-#5	2-#6 EA. END	#3 @ 12" O.C.	
GB-6	16"	30"	3-#8	2-#5	2-#5	2-#6 EA. END	#3 @ 12" O.C.	
GB-7	16"	30"	2-#6	2-#5	---	2-#6 EA. END	#3 @ 12" O.C.	
GB-8	16"	30"	3-#7	2-#5	2-#5	2-#6 EXTEND 2-#8 INT. END	#3 @ 12" O.C.	
GB-9	16"	30"	3-#6	2-#5	2-#5	2-#6 EA. END	#3 @ 12" O.C.	



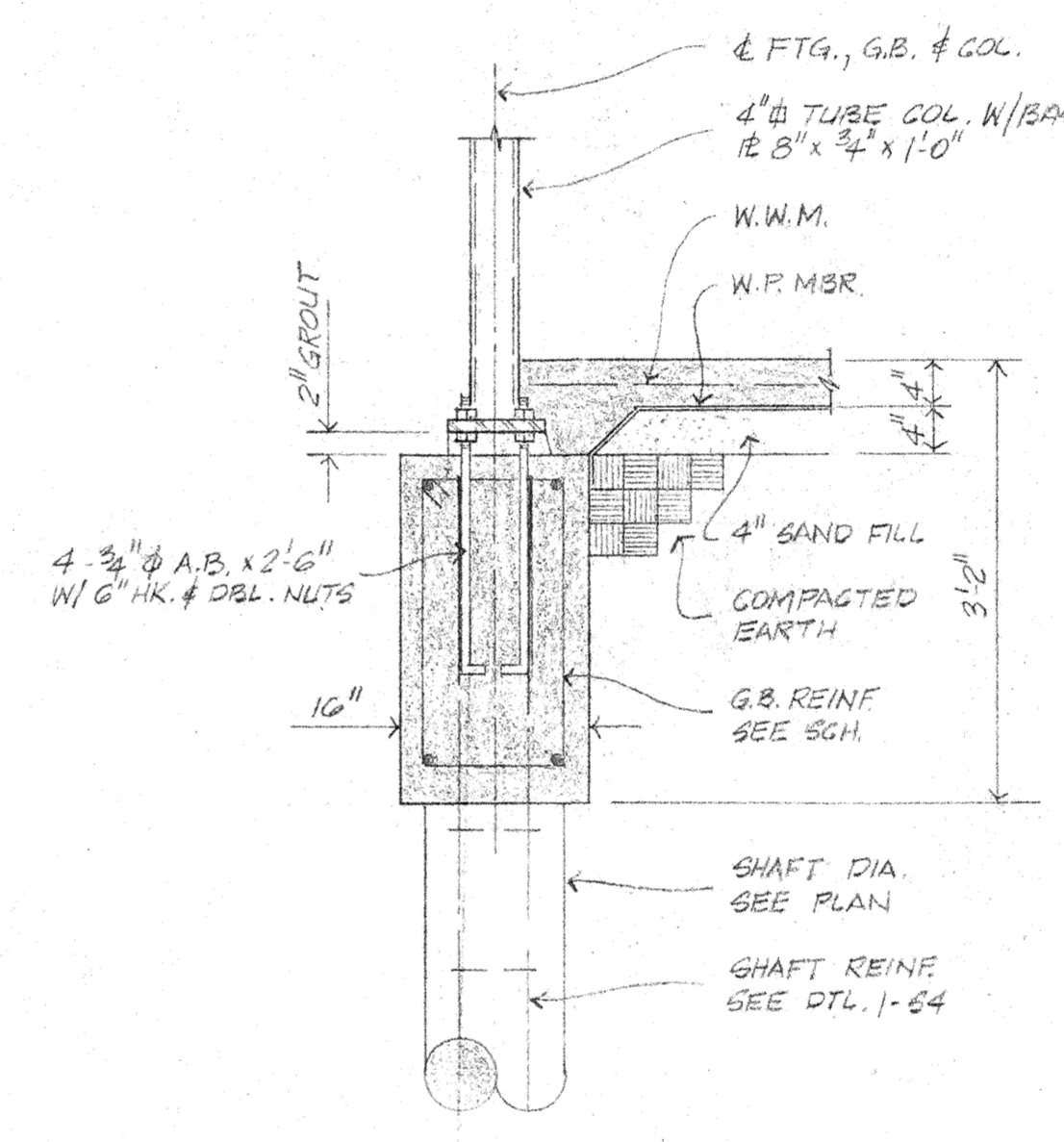
TYP. DRILLED FTG. DETAIL



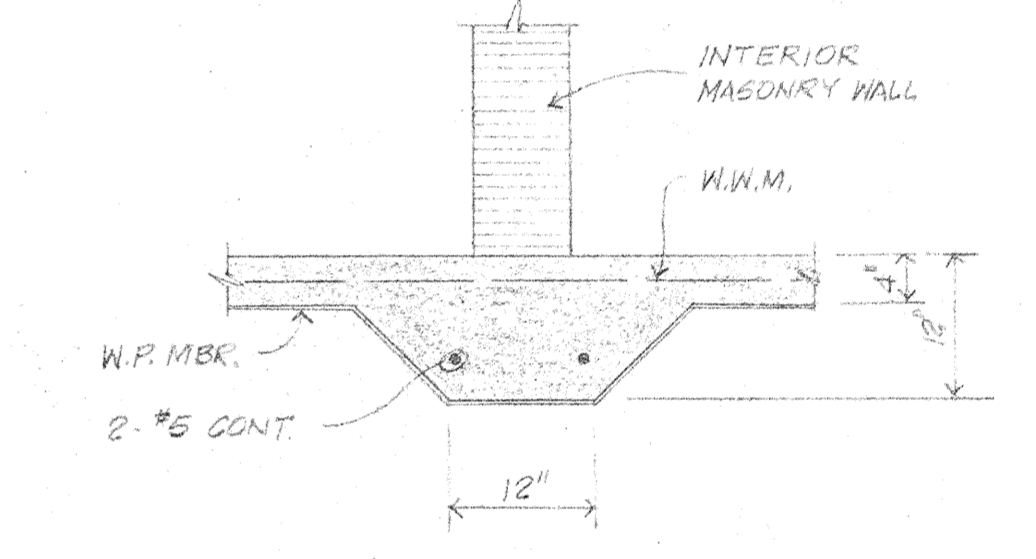
2 SECTION SCALE: 3/4"=1'-0" RE: 1-62



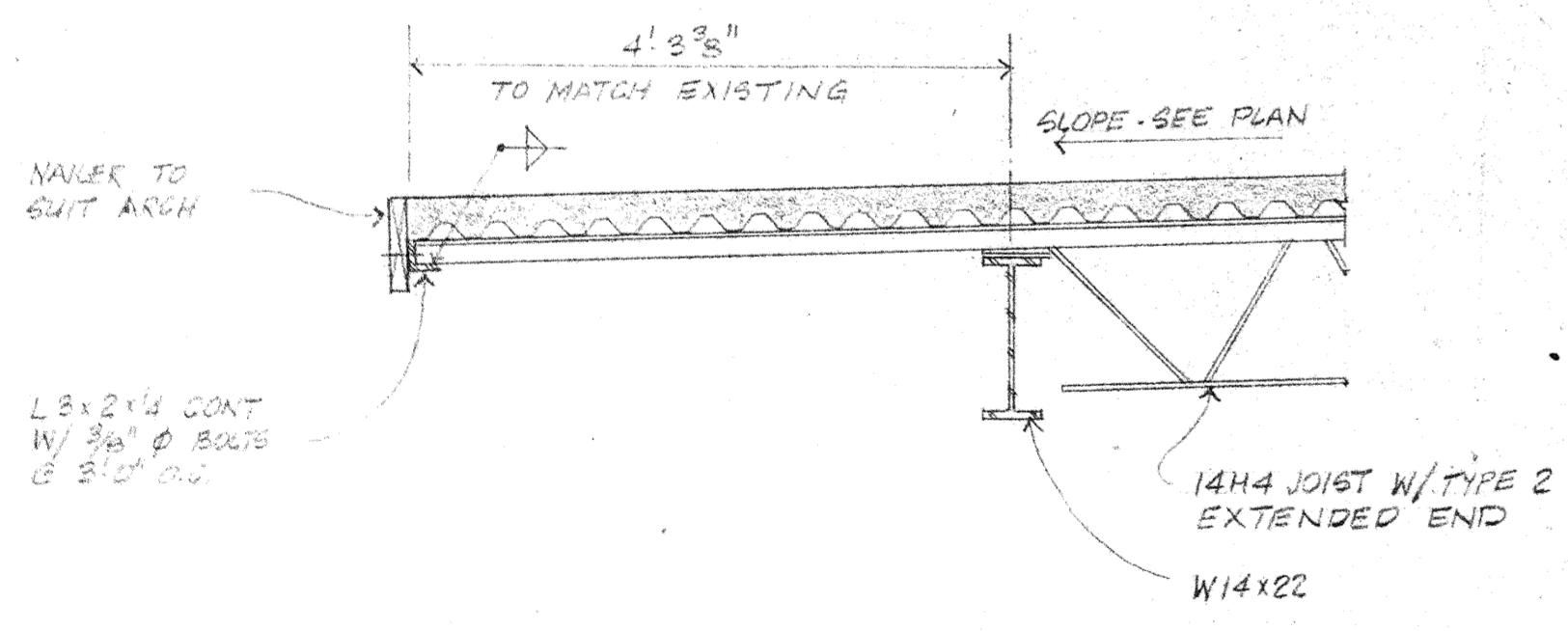
3 SECTION SCALE: 3/4"=1'-0" RE: 1-62



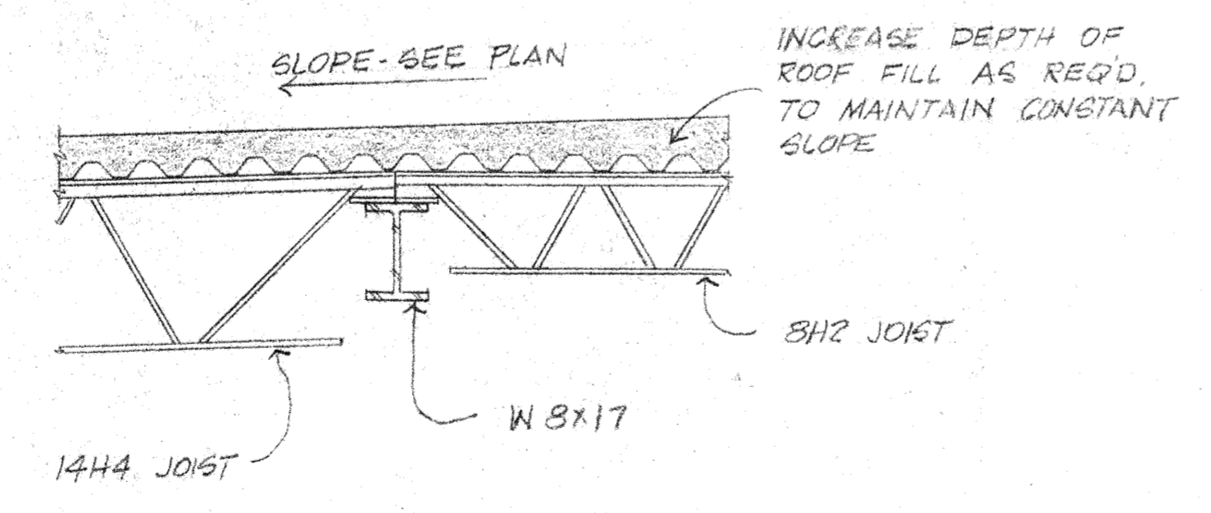
4 SECTION SCALE: 3/4"=1'-0" RE: 1-62



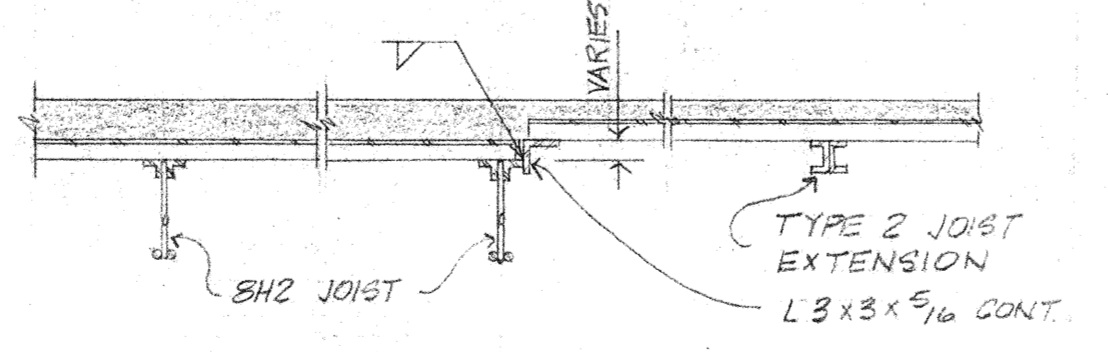
5 TYP. SLAB DETAIL @ INTERIOR MASONRY WALL SCALE: 3/4"=1'-0" RE: 1-61, 1-62



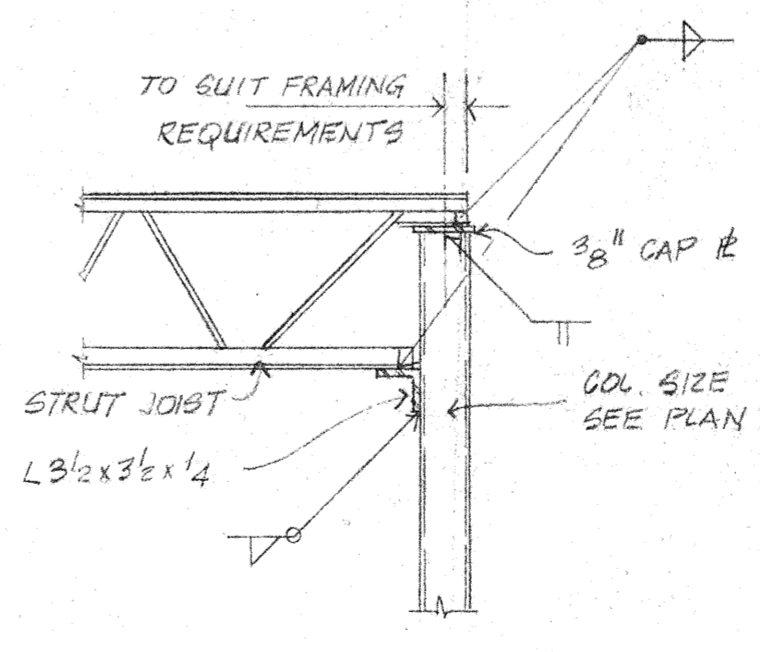
6 SECTION SCALE: 3/4"=1'-0" RE: 2-61



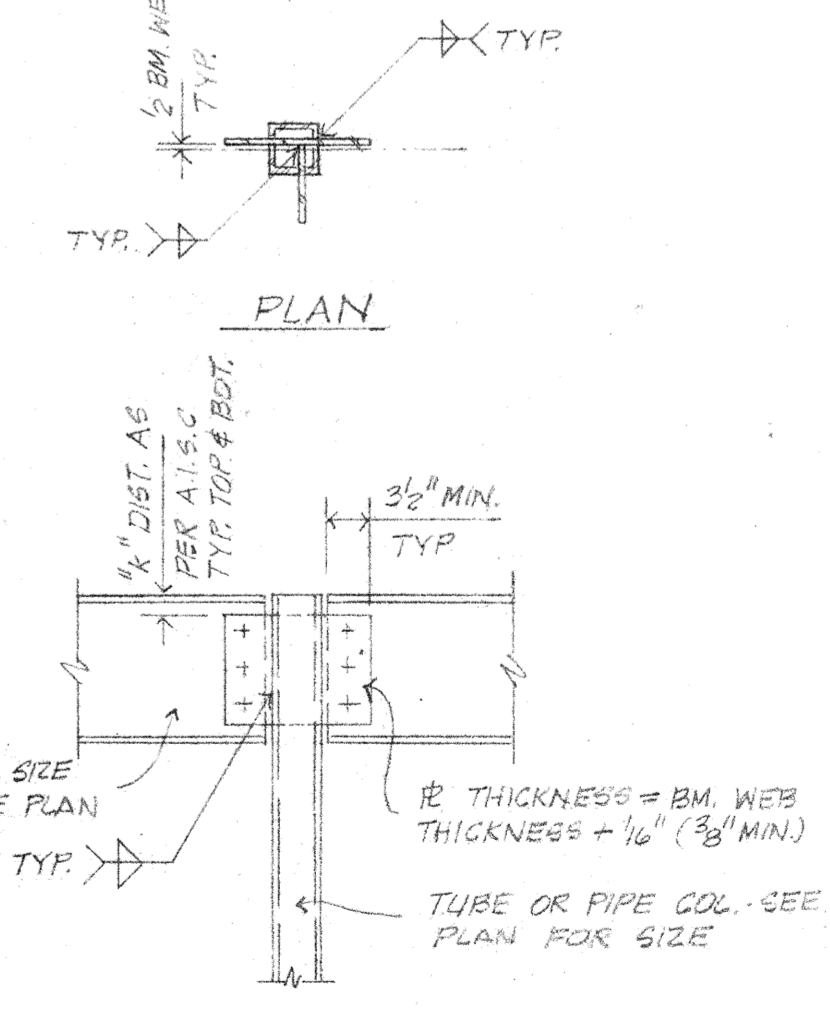
7 SECTION SCALE: 3/4"=1'-0" RE: 2-61



8 SECTION SCALE: 3/4"=1'-0" RE: 2-61



9 TYP. STRUT JOIST TO TUBE COL. CONN. DTL. N.T.S. RE: 2-61, 1-63

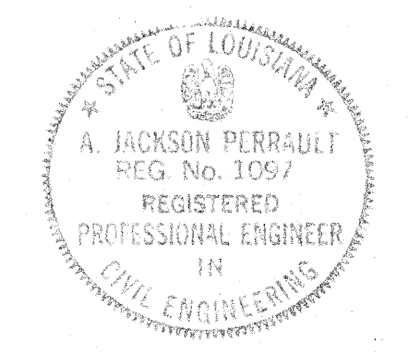


10 TYP. BM. TO TUBE OR PIPE COL. CONN. DTL. N.T.S. RE: 2-61, 1-63

Project no. 5108  
 Drawn by J.P.P.  
 Checked by J.P.P.  
 Date 2-9-62  
 Revised

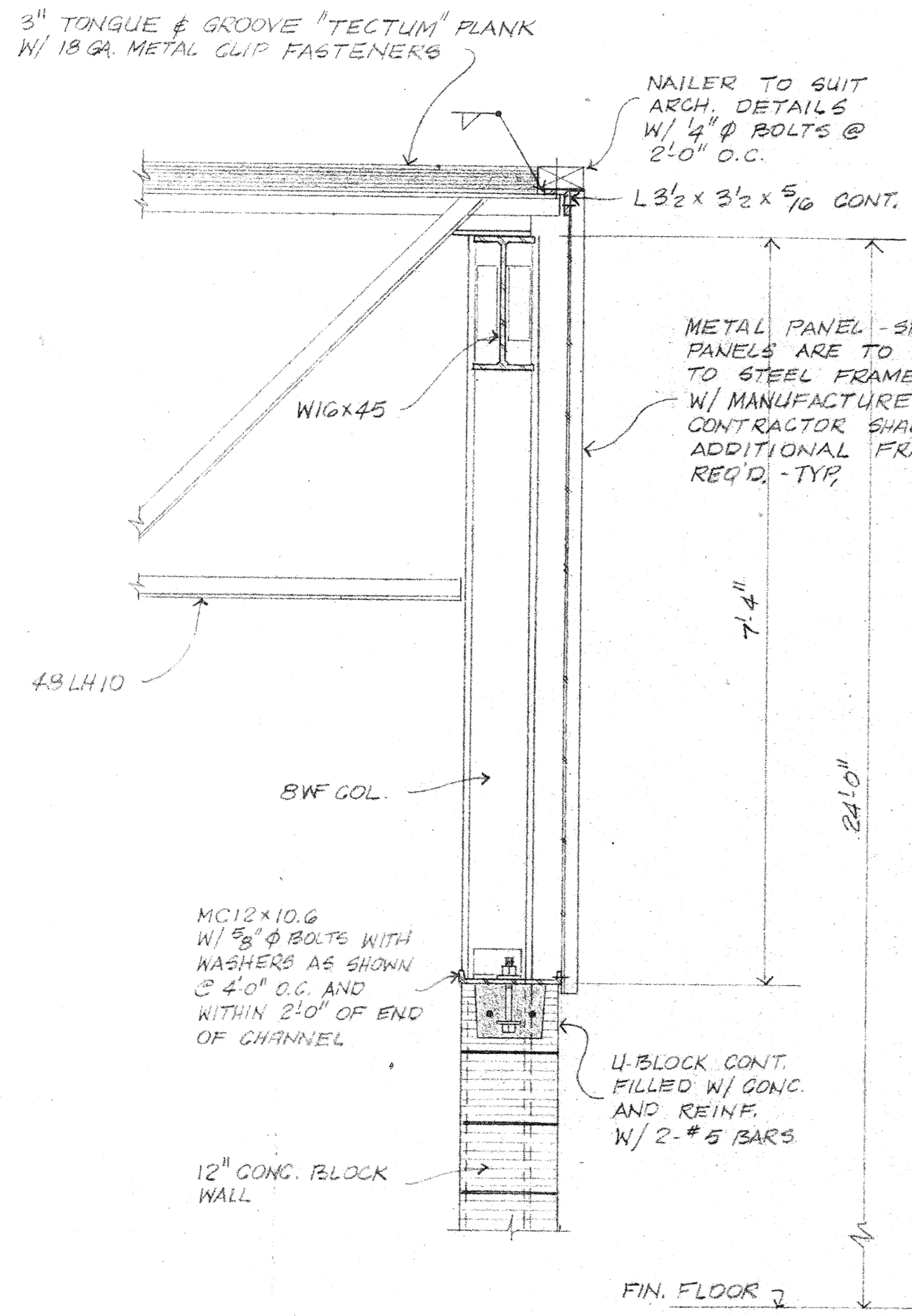
HAMILTON, MEYER and ASSOCIATES, INC.  
 ARCHITECT and ENGINEER

GYM-FOUNDATION DETAILS, CLASSEM. FRAMING DTL., SCHEDULE  
 ADDITIONS TO BOYET JUNIOR HIGH SCHOOL  
 SLIDELL, LOUISIANA  
 ST. TAMMANY PARISH SCHOOL BOARD, OWNER

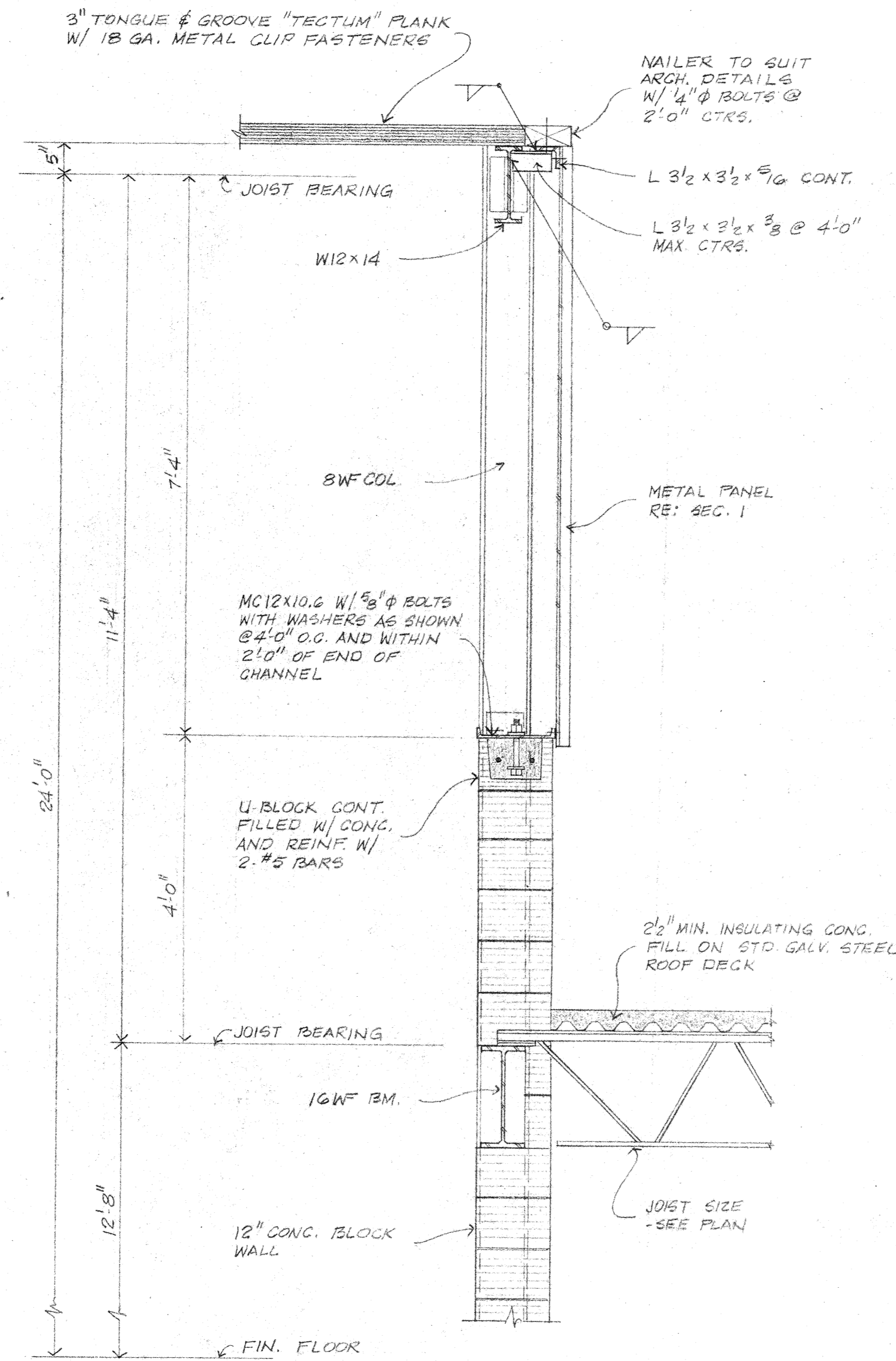


PERRAULT & PERRAULT  
 CONSULTING ENGINEERS  
 BATON ROUGE, LOUISIANA

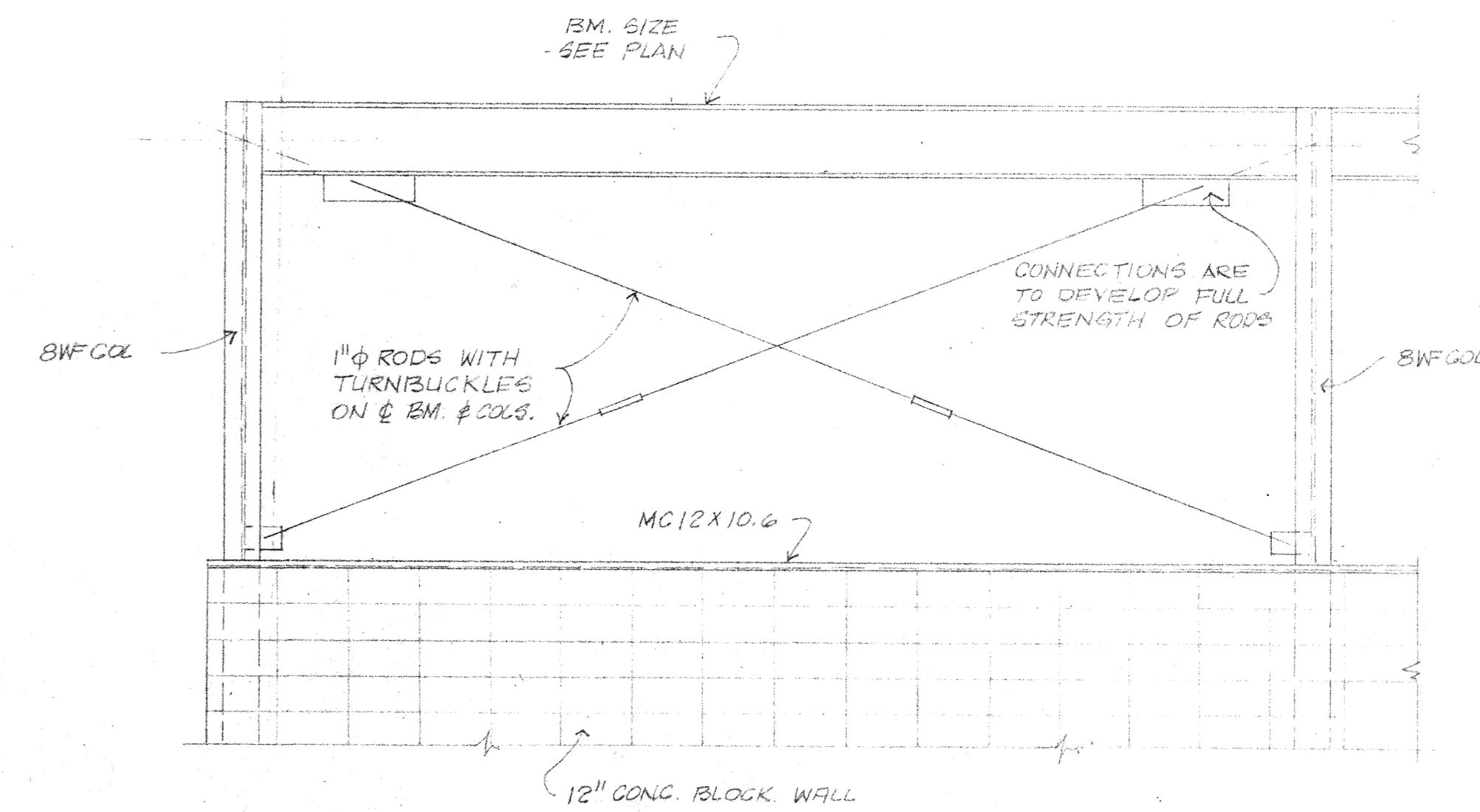
sheet no. S-4 of 4 sheets



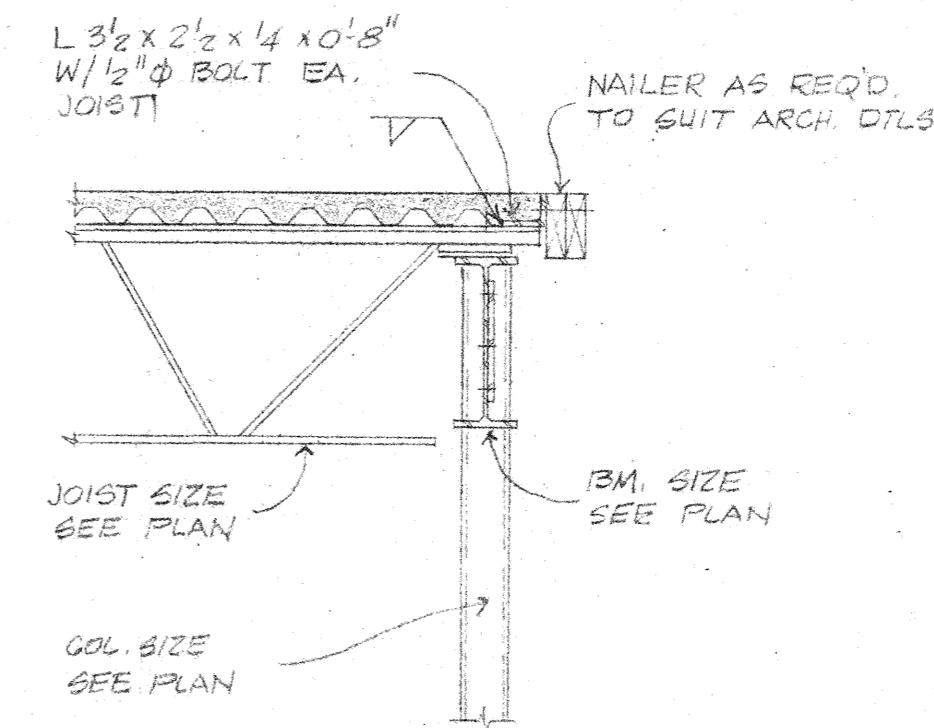
SECTION 1  
SCALE: 3/4"=1'-0"  
RE: 1-53



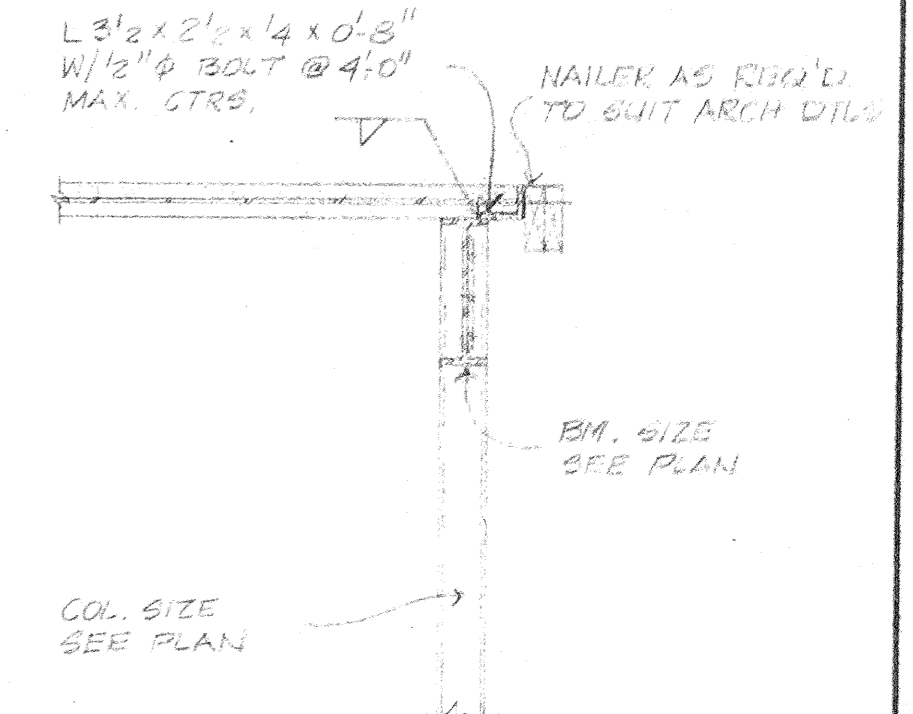
SECTION 2  
SCALE: 3/4"=1'-0"  
RE: 1-53



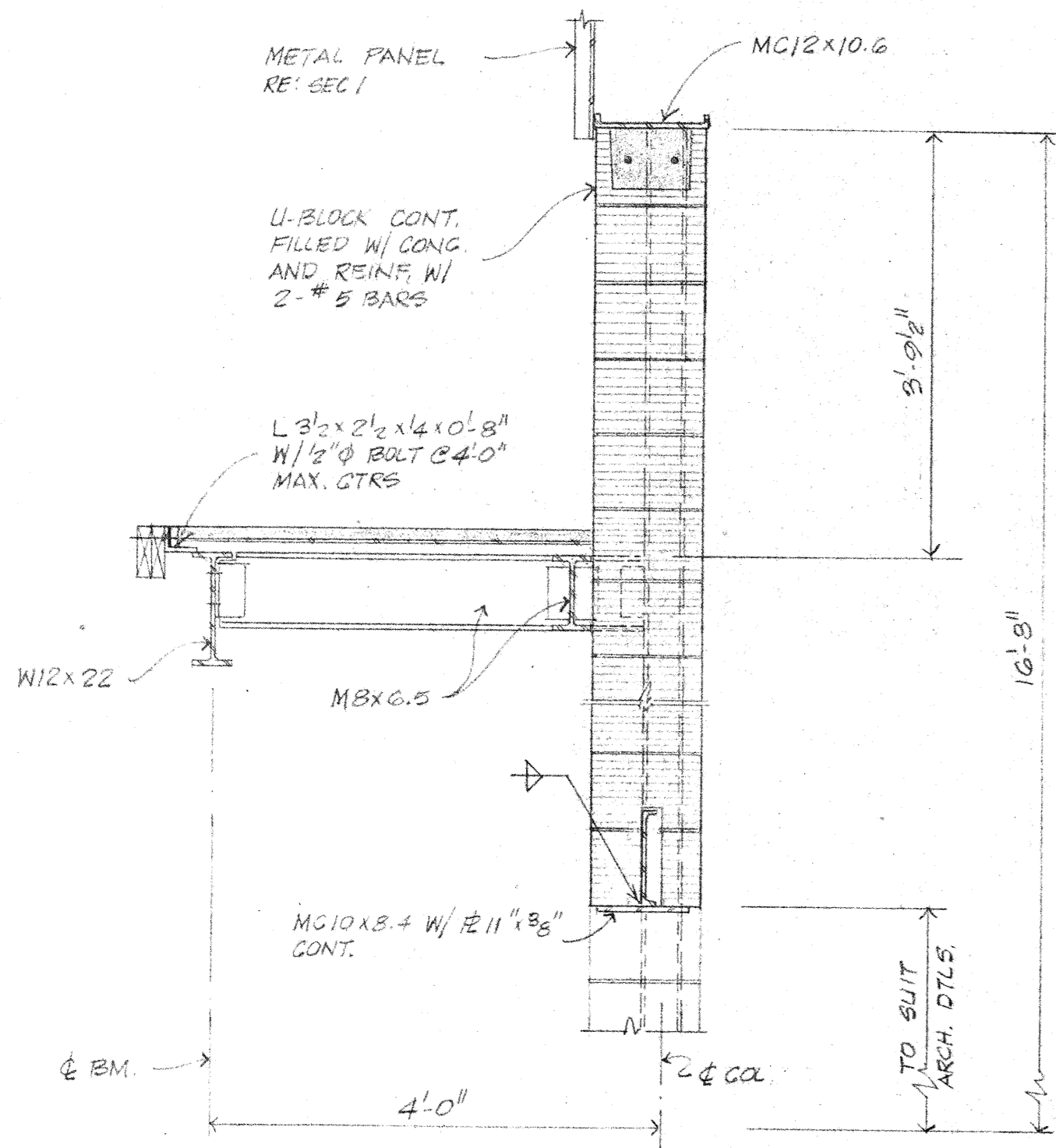
SECTION 3  
TYPICAL ELEVATION OF "X" BRACING  
NOT TO SCALE  
RE: 1-53



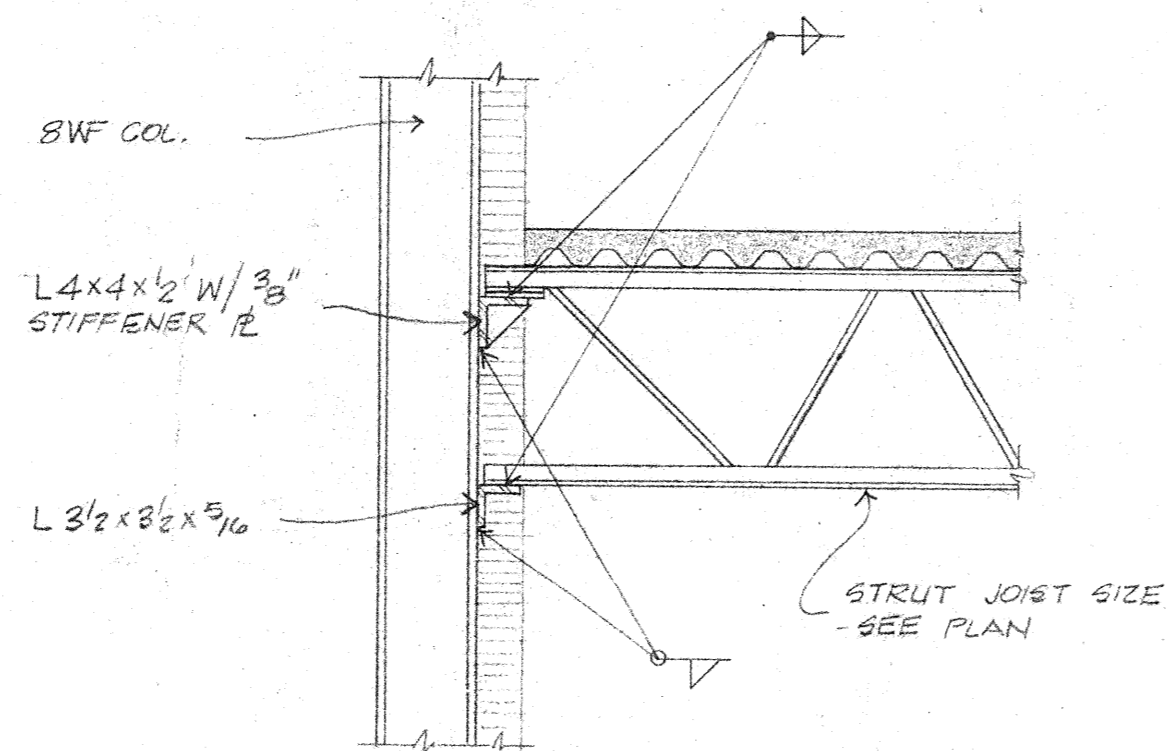
SECTION 4  
SCALE: 3/4"=1'-0"  
RE: 1-53



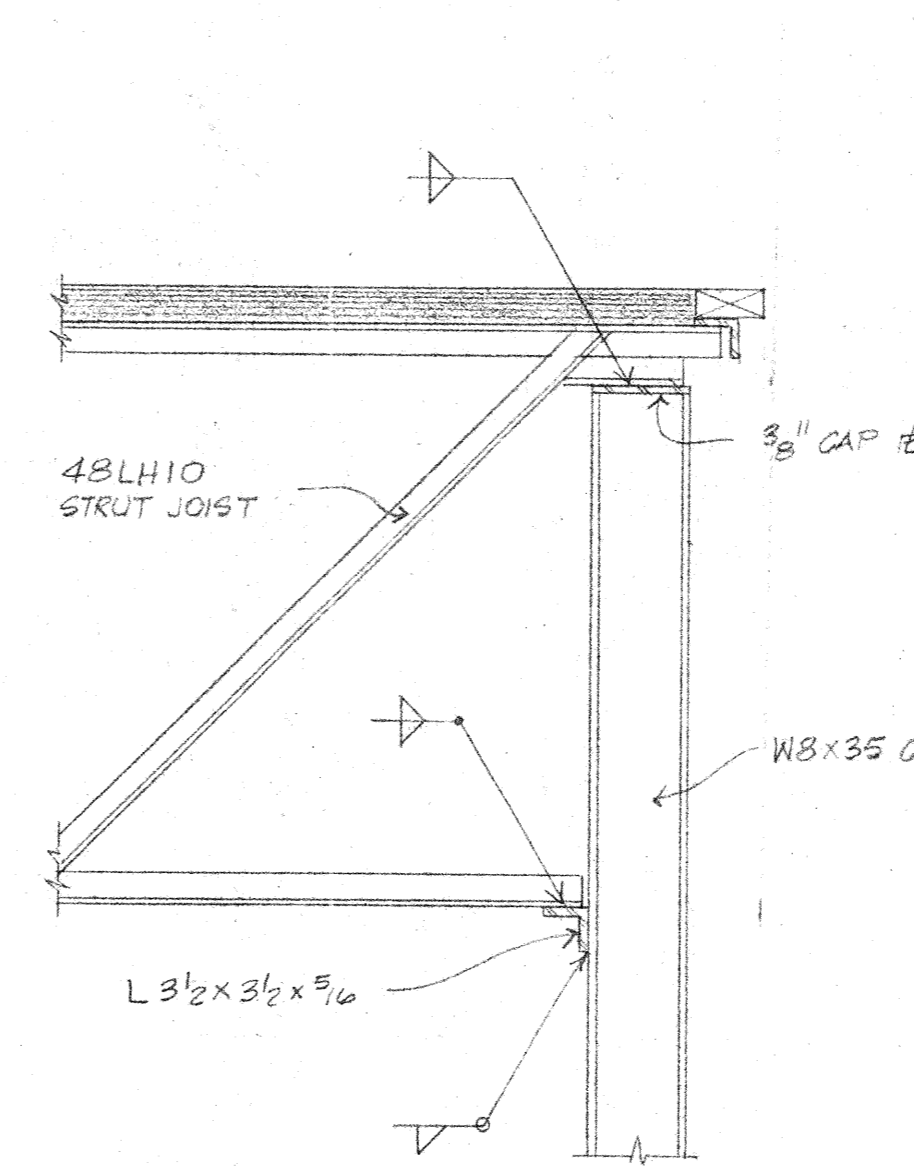
SECTION 5  
SCALE: 3/4"=1'-0"  
RE: 1-53



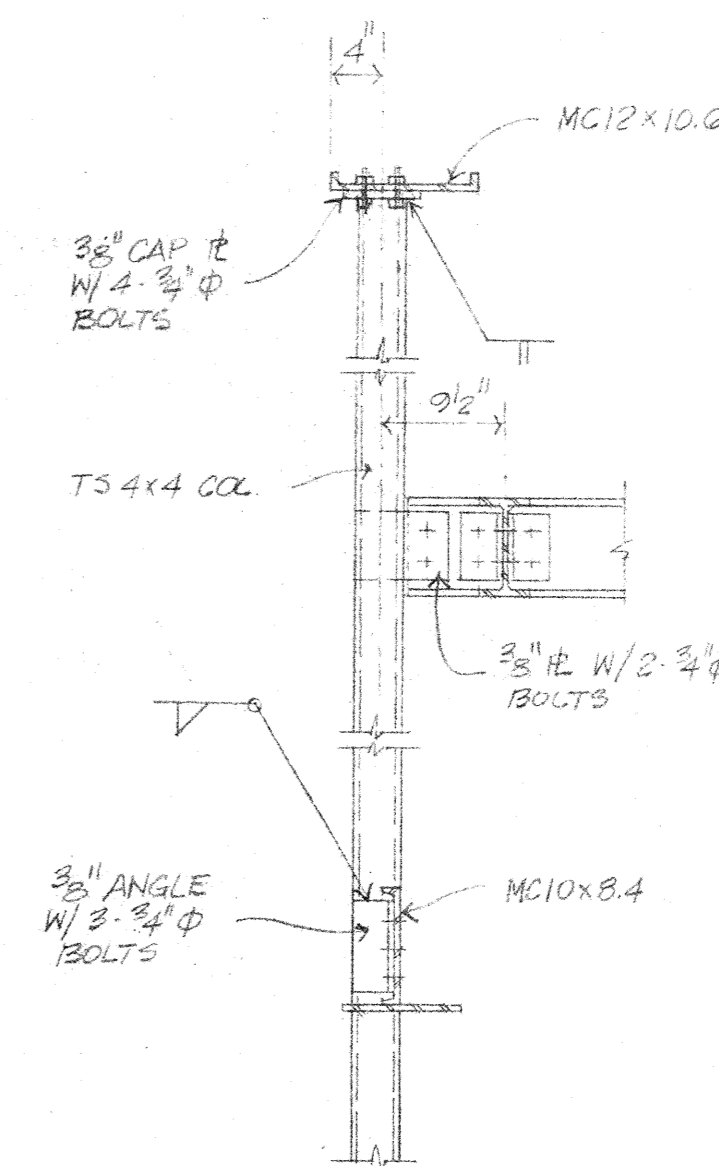
SECTION 6  
SCALE: 3/4"=1'-0"  
RE: 1-53



SECTION 7  
SCALE: 3/4"=1'-0"  
RE: 1-53



SECTION 8  
SCALE: 3/4"=1'-0"  
RE: 1-53

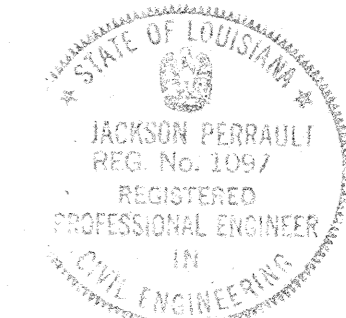


SECTION 9  
SCALE: 3/4"=1'-0"  
RE: 1-53

project no.	5-403
drawn	MJP
checked	
date	2-7-53
revised	

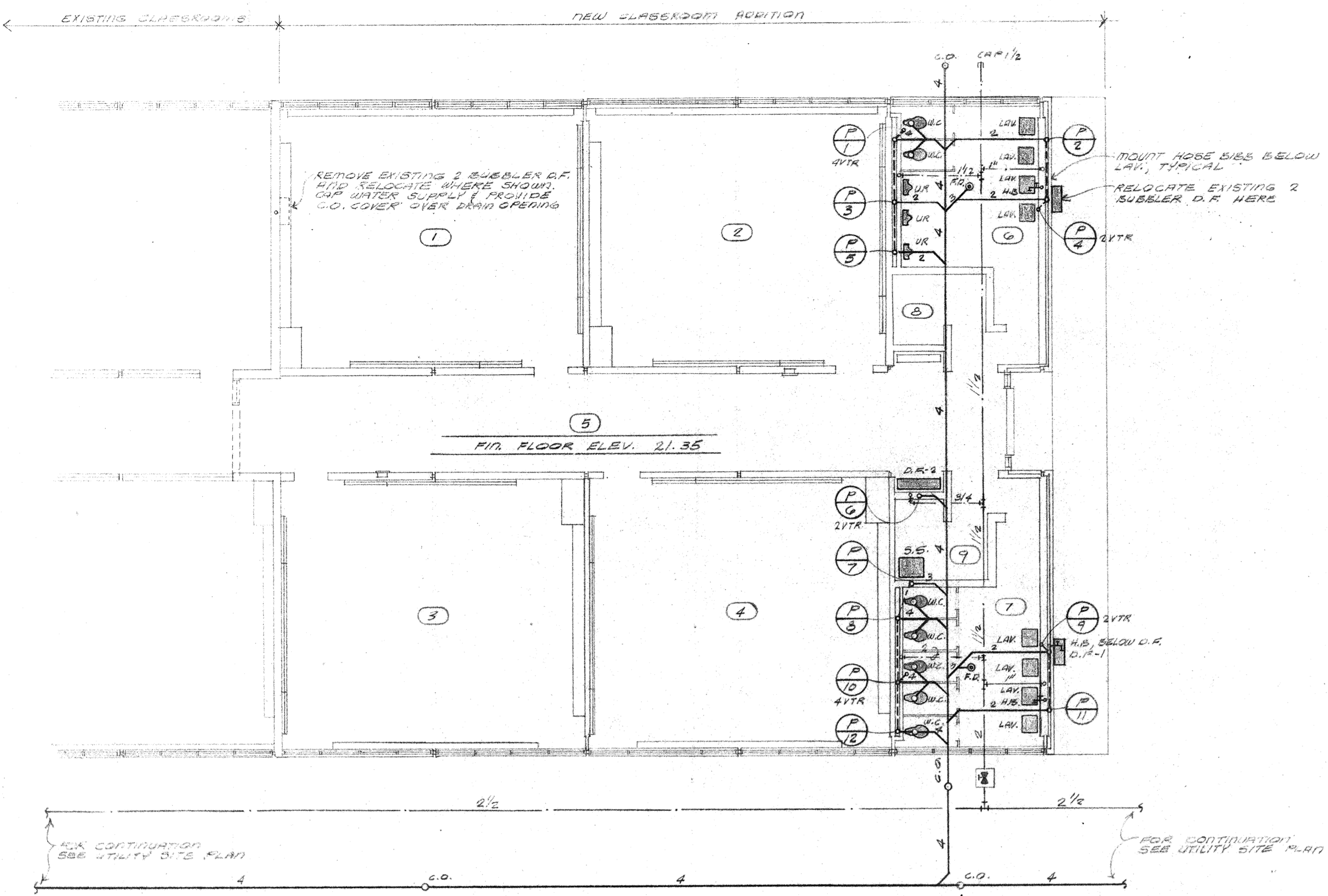
HAMILTON, MEYER and ASSOCIATES, INC.  
ARCHITECT and ENGINEER

GYMNASIUM FRAMING DETAILS  
ADDITIONS TO BOYET JUNIOR HIGH SCHOOL  
SLIDELL, LOUISIANA  
ST. TAMMANY PARISH SCHOOL BOARD, OWNER

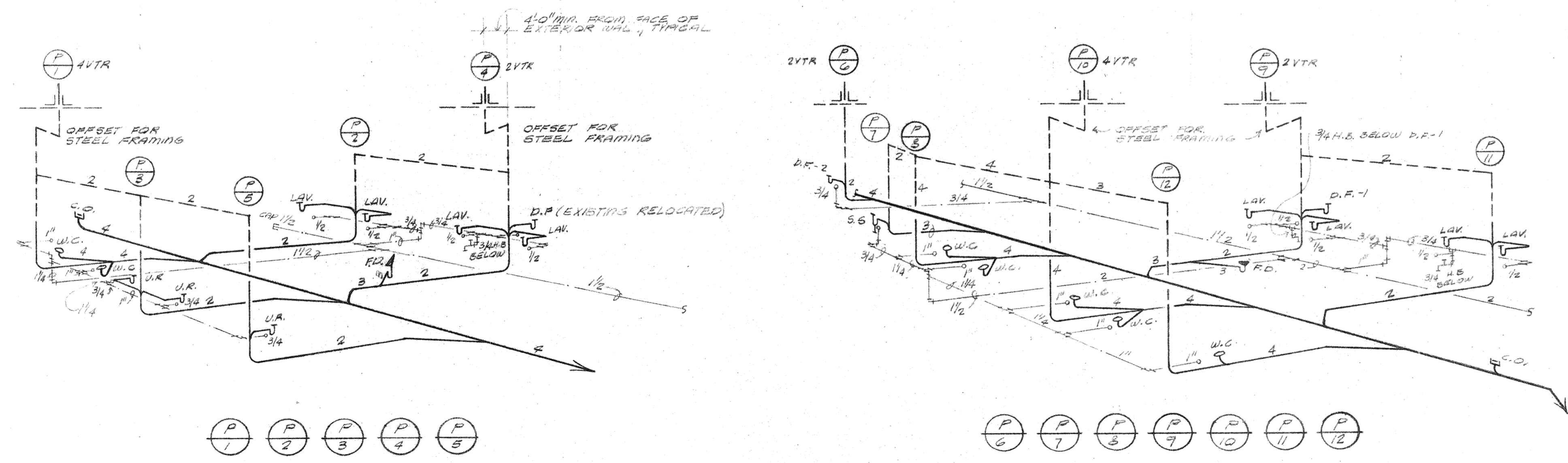


PERRAULT & PERRAULT  
CONSULTING ENGINEERS  
BATON ROUGE, LOUISIANA

sheet no.  
S-5  
of 5 sheets



PLUMBING PLAN - CLASSROOM ADDITION  
SCALE: 1/8" = 1'-0"



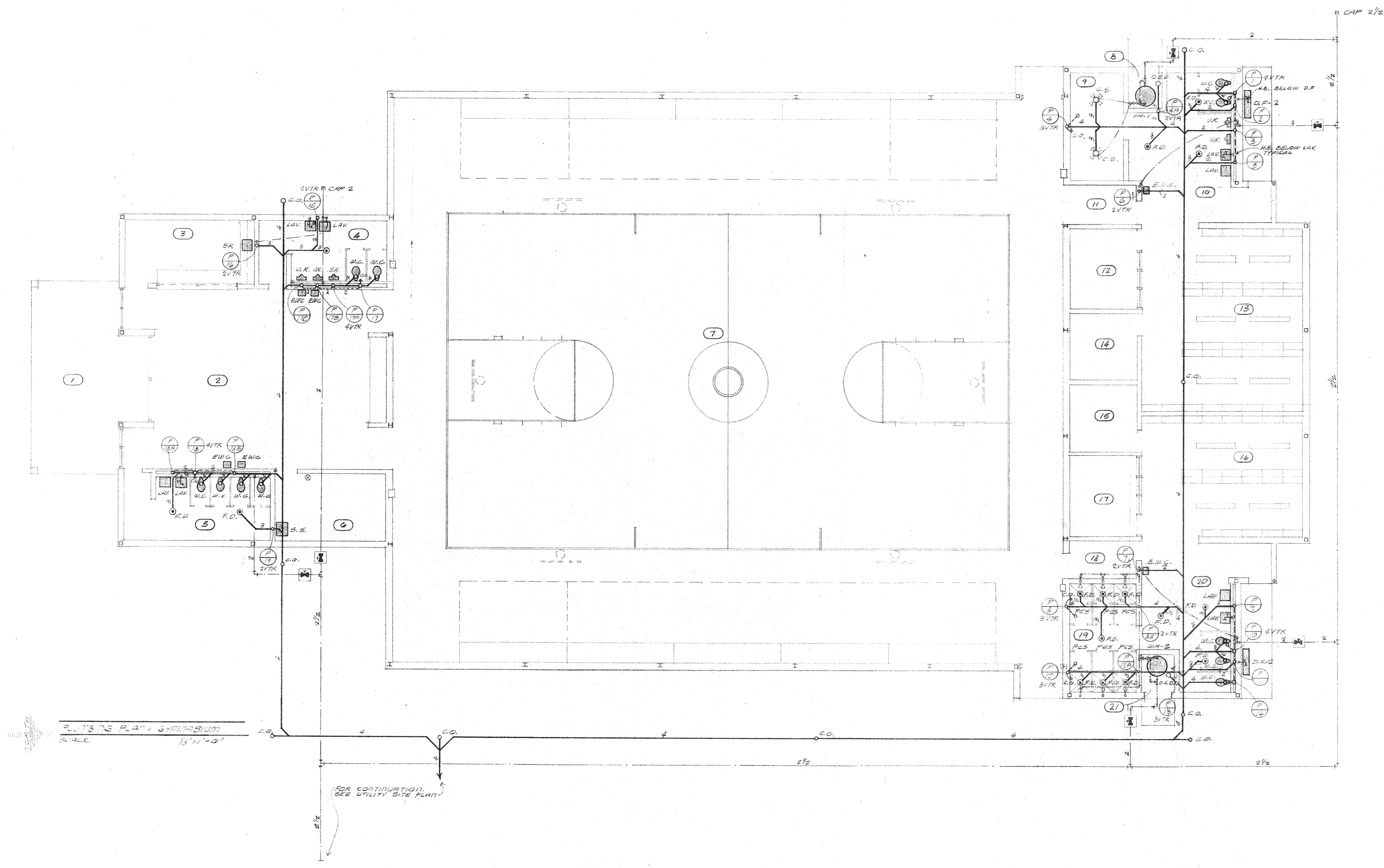
RISER DIAGRAMS  
NO SCALE

Project no. 5103  
 Drawn U.H.Z.  
 Checked A.L.B.  
 Date 2-9-75  
 Revised

HAMILTON, MEYER and ASSOCIATES, INC.  
 ARCHITECT and ENGINEER

PLUMBING PLAN AND RISER DIAGRAMS  
 ADDITIONS TO BOYET JUNIOR HIGH SCHOOL  
 SLIDELL, LOUISIANA  
 ST. TAMMANY PARISH SCHOOL BOARD, OWNER

sheet no. \_\_\_\_\_  
 of \_\_\_\_\_ sheets



PLUMBING PLAN - GYMNASIUM  
SCALE 1/8" = 1'-0"

FOR CONTINUATION, SEE UTILITY SITE PLAN

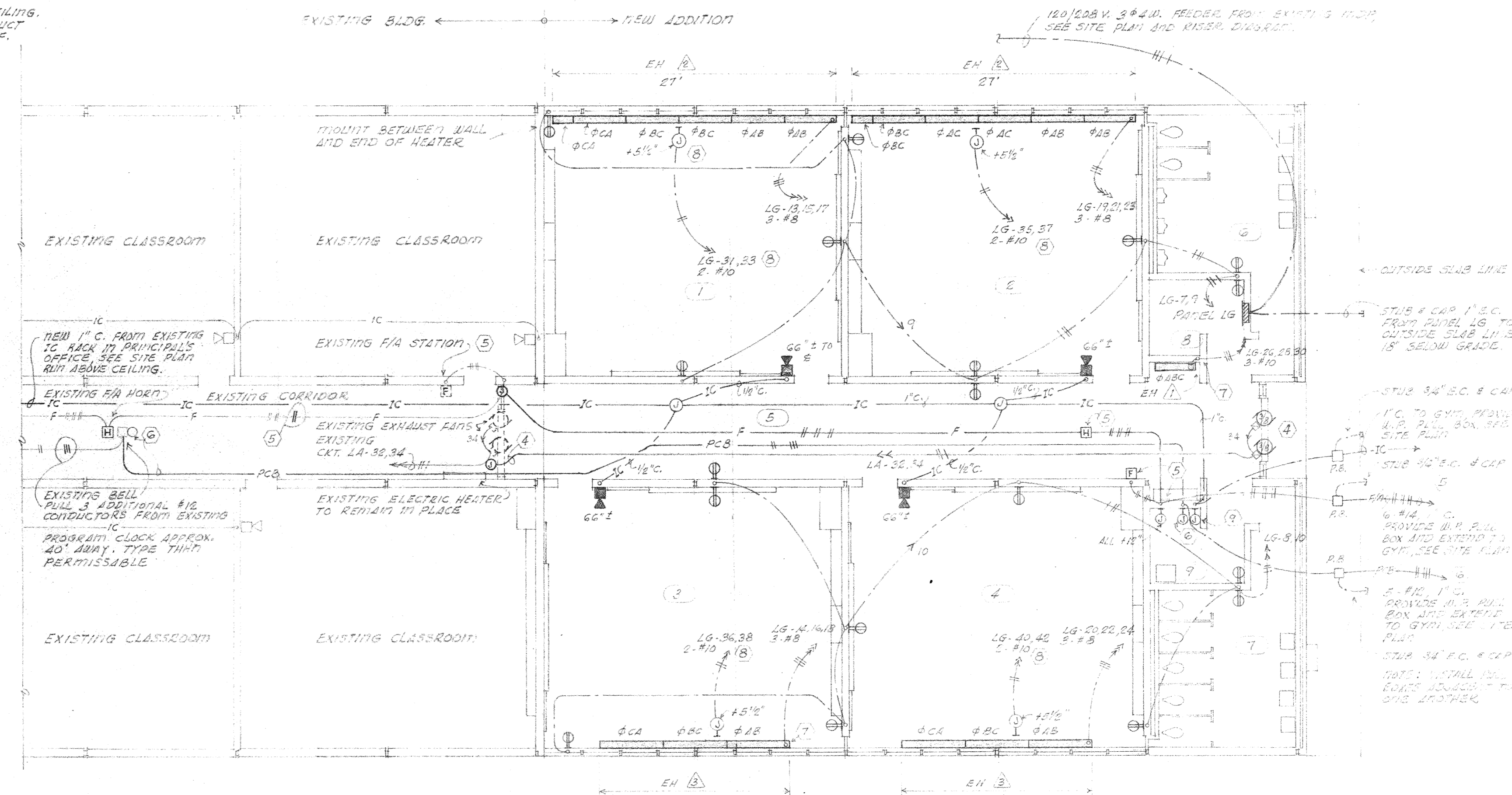
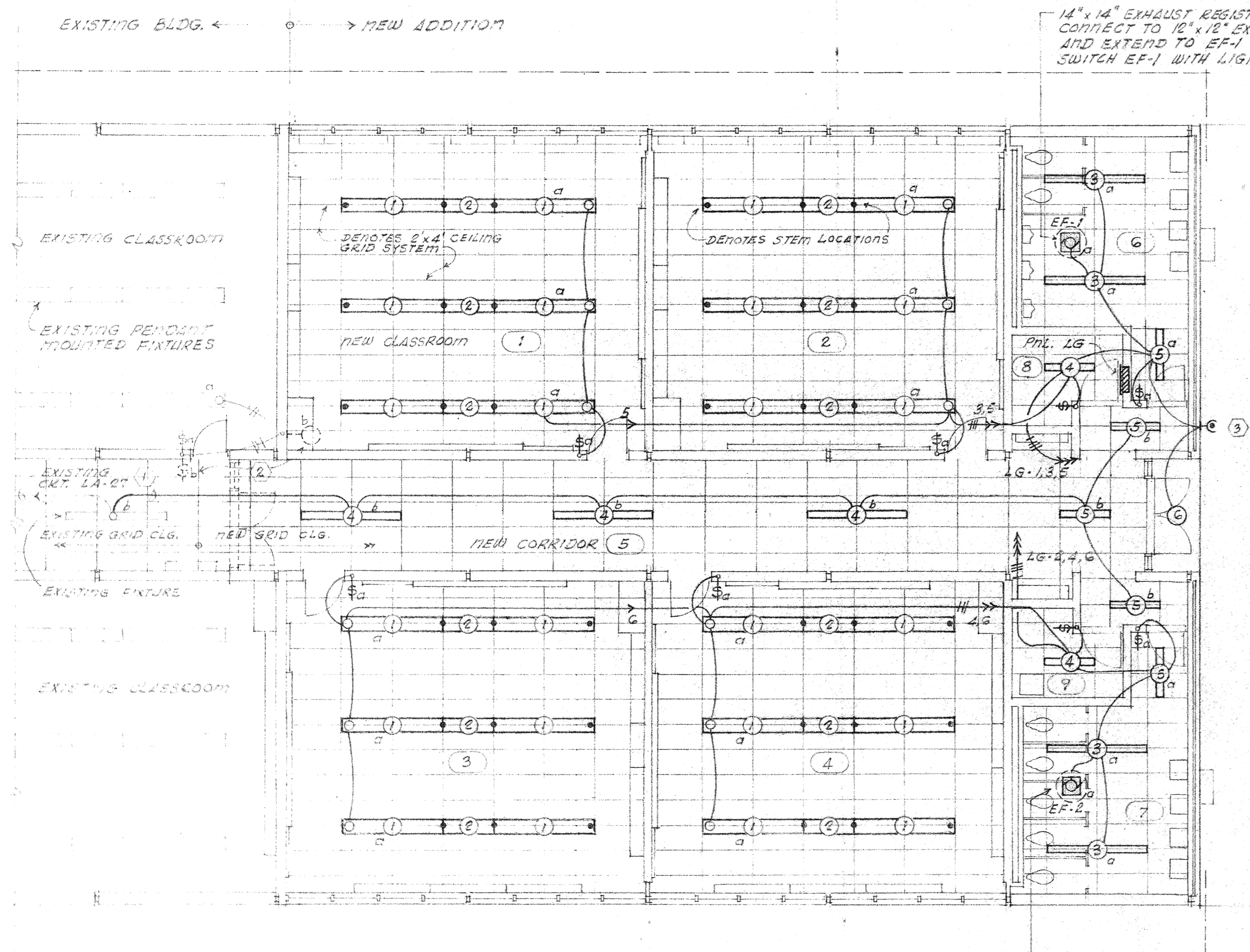
project no. 5103  
drawn J.H.Z.  
checked K.S.  
date 2-9-73  
revised

**HAMILTON, MEYER and ASSOCIATES, INC.**  
ARCHITECT and ENGINEER

PLUMBING PLAN - GYMNASIUM  
**ADDITIONS TO BOYET JUNIOR HIGH SCHOOL**  
SLIDELL, LOUISIANA  
ST. TAMMANY PARISH SCHOOL BOARD, OWNER

sheet no. \_\_\_\_\_  
of \_\_\_\_\_ sheets





**LIGHTING & VENTILATION PLAN - CLASSROOM ADDITION**  
SCALE: 1/8" = 1'-0"

**POWER & ELECTRIC HEATING PLAN - CLASSROOM ADDITION**  
SCALE: 1/8" = 1'-0"

**NOTES:**

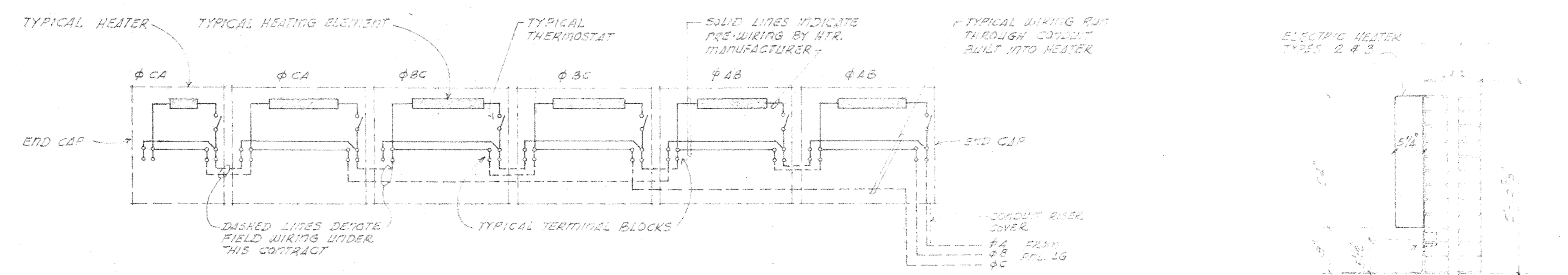
- 1. CONNECT NEW CORRIDOR FIXTURES TO EXISTING CKT. LA-27. EXISTING CORRIDOR FIXTURES ARE CONTROLLED BY SWITCH #6 LOCATED AT EXISTING EAST CORRIDOR ENTRANCE.
- 2. REMOVE EXISTING WALL BRACKET FIXTURE, CONTROLLING SWITCH #6 AND ASSOCIATED WIRING. PROVIDE BLANK COVER AND PLATE TO MATCH EXISTING SURROUNDINGS.
- 3. PROVIDE RECIPIENT MULTIPLE CONTROLS #7.5 PHOTO-ELECTRIC CELL FOR CONTROL OF FIXTURE E. MOUNT APPROX. 10' ABOVE FINISHED GRADE, LOOKING DOWN.

**NOTES:**

- 1. REMOVE EXISTING EXHAUST FANS, AUTOMATIC SHUTTERS AND OTHER RELATED DEVICES AND RELOCATE AT NEW CORRIDOR ENTRANCE AS SHOWN. PROVIDE ACCESSIBLE JUNCTION BOX AND EXTEND EXISTING CKT. LA-30,34 TO NEW LOCATION. FANS ARE CONTROLLED BY EXISTING MANUAL STARTERS AT PANEL LG LOCATION AT EAST END OF BUILDING. SEE BOOK DETAILS A/9, 14/9 AND 15/3 FOR MOUNTING DETAILS.
- 2. REMOVE EXISTING FIA STATION. PROVIDE BLANK COVER AND RELOCATE AT NEW ENTRANCE AS SHOWN. PROVIDE NEW HOKE AS SHOWN. PROVIDE 6" x 6" x 4" U.B. IN ROOM 9. EXTEND FIA SYSTEM TO GYM AS SHOWN. PULL TWO NEW CONDUCTORS FROM EXISTING FIA HOKE IN EXISTING REARWAY FIA. A TOTAL OF SIX.
- 3. EXTEND EXISTING PROGRAM CLOCK AND BELL SYSTEM FROM EXISTING BELL AS SHOWN. PULL 3 ADDITIONAL #12 CONDUCTORS FROM EXISTING CLOCK. PROVIDE 6" x 6" x 4" U.B. IN ROOM 9. EXTEND TO GYM.
- 4. VERIFY CONDUIT ENTRANCE LOCATIONS TO ELECTRIC HEATERS PRIOR TO ROUGHING-IN.
- 5. PROVIDE OUTLET BOX WITH BLANK COVER, 2" #10 WITH TAPED PISTOLS TO ACCOMMODATE FUTURE A/C WINDOW UNITS. RECEPTACLE AT LATER DATE BY OWNER. MOUNT BELOW ELECTRIC HEATER AND ABOVE RUBBER BASE, UP 5/16"
- 6. SWITCH EXHAUST FANS EF-1 WITH LIGHTS. FANS ARE FURNISHED WITH INTEGRAL DISCONNECT SWITCH.
- 7. EXTEND 1" C. FROM EXISTING INTERCOM RACK IN PRINCIPAL'S OFFICE. PROVIDE 6" x 6" x 4" U.B. IN ROOM 9 AND EXTEND TO GYM.

PANEL LG											
SERVICES		CONN. LOAD	CKT. NO.	TRIP	POLE	FR.	PHASE	FR. POLE	TRIP	SERVING	
LIGHTING # EF-1	900	1	20	1	90	8		90	8	LIGHTING # EF-2	
LIGHTING SOUTHEAST C.R.	1500	3	20	1				1	20	4	LIGHTING NORTHWEST C.R.
LIGHTING SOUTHWEST C.R.	1500	5	20	1				1	20	6	LIGHTING NORTHEAST C.R.
RECEPTACLES	1000	7	20	1				1	20	8	RECEPTACLES
RECEPTACLES	800	9	20	1				1	20	10	RECEPTACLES
SPACE		11	20	1				1	20	12	SPACE
EH-2 SOUTHEAST C.R.	9450	15	40	3				3	40	16	EH-2 NORTHEAST C.R.
		17								18	
EH-2 SOUTHWEST C.R.	9450	21	40	3				3	40	22	EH-2 NORTHWEST C.R.
		23								24	
SPACE ONLY		25		1						26	
SPACE ONLY		27		1				3	20	28	EH-1 CORR. ENTRANCE
SPACE ONLY		29		1						30	
FUTURE A/C SOUTHEAST C.R.	5000	31	30	2	90	8			1	32	SPACE ONLY
		33								34	SPACE ONLY
FUTURE A/C SOUTHWEST C.R.	5000	35	30	2	90	8		60	2	36	FUTURE A/C NORTHEAST C.R.
		37						60	2	38	
SPACE ONLY		39		1						40	FUTURE A/C NORTHWEST C.R.
SPACE ONLY		41		1						42	

A<sup>0</sup> = 27,050 KW B<sup>0</sup> = 25,900 KW C<sup>0</sup> = 26,600 KW TOTAL CONNECTED LOAD = 79,550 KW



**CLASSROOM HEATER WIRING DIAGRAM** - NO SCALE -

THIS DIAGRAM TYPICAL FOR HEATER #1 IN CLASSROOM 1 AND SHOWS CONNECTION OF HEATERS IN PARALLEL AND IN THREE PHASE DELTA. OTHER CLASSROOM HEATERS SIMILAR.

ELECTRIC HEATER SCHEDULE						
MARK	CATALOG NO.	WATTS/ LIT. FT. UNIT	WATTS/ KW	VOLTAGE AND PHASE	NON ELECTRICAL ACCESSORIES	REMARKS
EH 1	(1) CUW-STF-2022		4000	208 V. 3 φ		(1) 41" LONG WALL MOUNT UNIT HEATER, TOP DISCHARGE, FRONT INLET, INTEGRAL THERMOSTAT, THERMAL SWITCH, AUTO RESET, FAN MOTOR W/INTEGRAL HEATING SKT.
EH 2	(5) SLH-517 T # (1) SLH-207 T	350	1750 700	208 V. 1 φ	(2) END CAPS AND (1) CONDUIT RISER COVER	(5) 6' LONG AND (1) 8' LONG CONVECTION HEATERS, INTEGRAL LINE THERMOSTAT IN EACH UNIT.
EH 3	(3) SLH-642 T	700	4200	208 V. 1 φ	(4) END CAPS AND (1) CONDUIT RISER COVER	(3) 6' LONG CONVECTION HEATERS, INTEGRAL LINE THERMOSTAT IN EACH UNIT.

CABINET FINISH AS SELECTED BY ARCHITECT  
FOR CONTINUATION OF HEATER SCHEDULES, SEE SHEET E-2  
\* 2 STEPS; FURNISH WITH CIRCUIT BREAKER & FILTER.

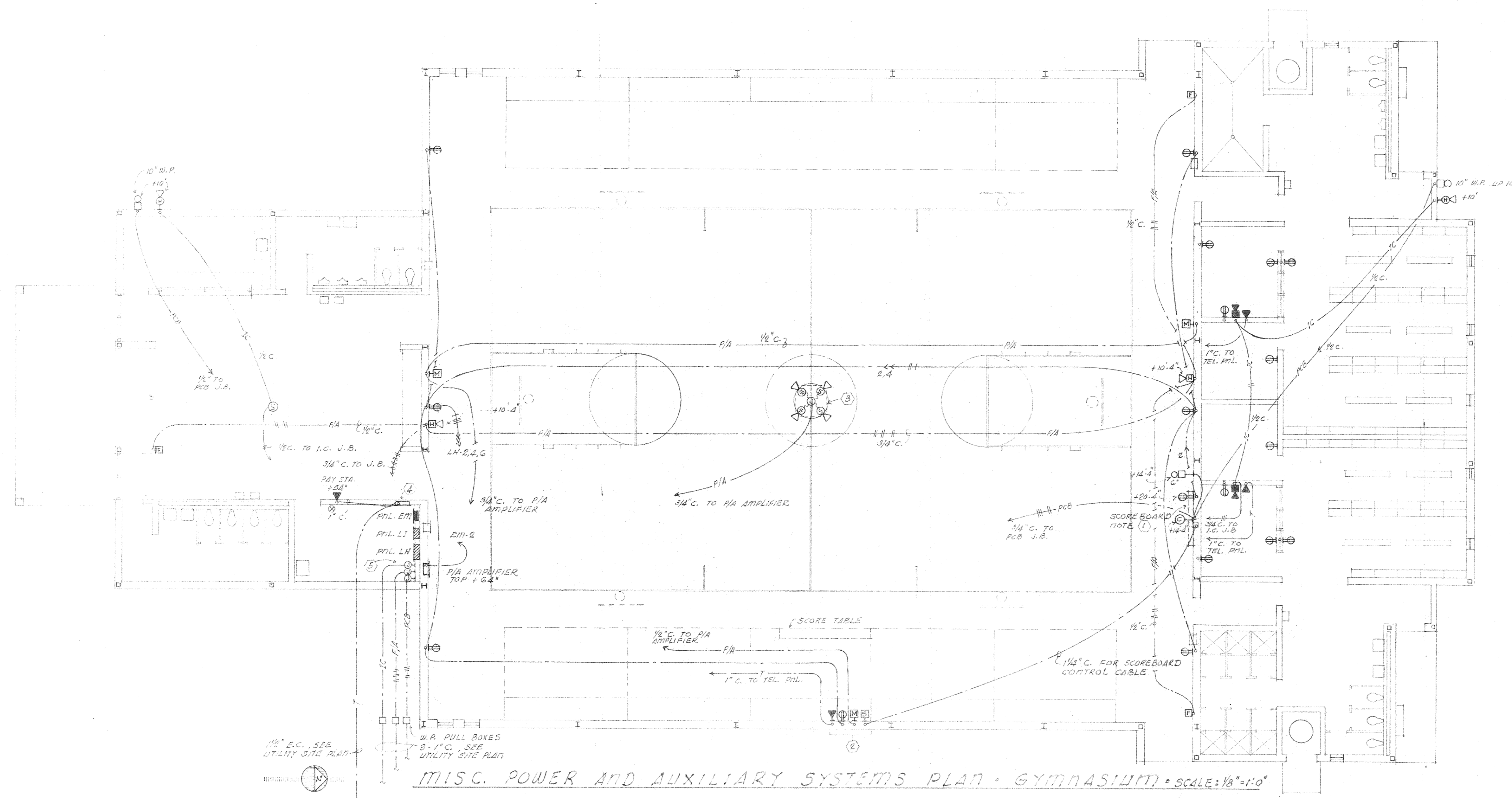
project no. 200-100-100  
drawn by J.M.H.  
checked by J.M.H.  
date 2-9-72  
revised

**HAMILTON, MEYER and ASSOCIATES, INC.**  
ARCHITECT and ENGINEER

**ADDITIONS TO BOYET JUNIOR HIGH SCHOOL**  
SLIDELL, LOUISIANA  
ST. TAMMANY PARISH SCHOOL BOARD, OWNER

sheet no. \_\_\_\_\_  
of \_\_\_\_\_ sheets

- NOTES:**
- 1 MOUNT TOP OF SCOREBOARD AT 5'-0" O.C. PROVIDE CONTROL CABLE OUTLET AND RECEPTACLE 1" x 2 1/2" O.C.
  - 2 PROVIDE SCOREBOARD, MICROPHONE POWER AND TELEPHONE OUTLETS ON WALL BEHIND BLEACHERS AT 5'-0" O.C. CHECK BLEACHER SHOP DRAWINGS TO CLEAR BLEACHER MEMBERS.
  - 3 PROVIDE 8' x 8' x 1 1/2" THK. (2 LAYERS 3/4") PLYWOOD MOUNTING BOARD FOR SPEAKERS, SUSPENDED FROM STRUCTURAL 1" x 2" ABOVE FLOOR. MOUNT SPEAKERS ON TOP SIDE OF BOARD AS DIRECTED.
  - 4 PROVIDE 16" W. x 60" H. x 4" DEEP TELEPHONE CABINET IN ROOM G, STUB & CAP 2 3/4" O.C. TO ATTIC SPACE.
  - 5 PROVIDE THREE 6" x 6" x 4" JUNCTION BOXES IN ROOMING, ONE FOR INTERCOM SYSTEM, ONE FOR FIRE ALARM SYSTEM AND ONE FOR PROGRAM CLOCK AND BELL SYSTEM, EACH TO ACCORDING DATE INCOMING LINES FROM NEW CLASSROOM ADDITION.



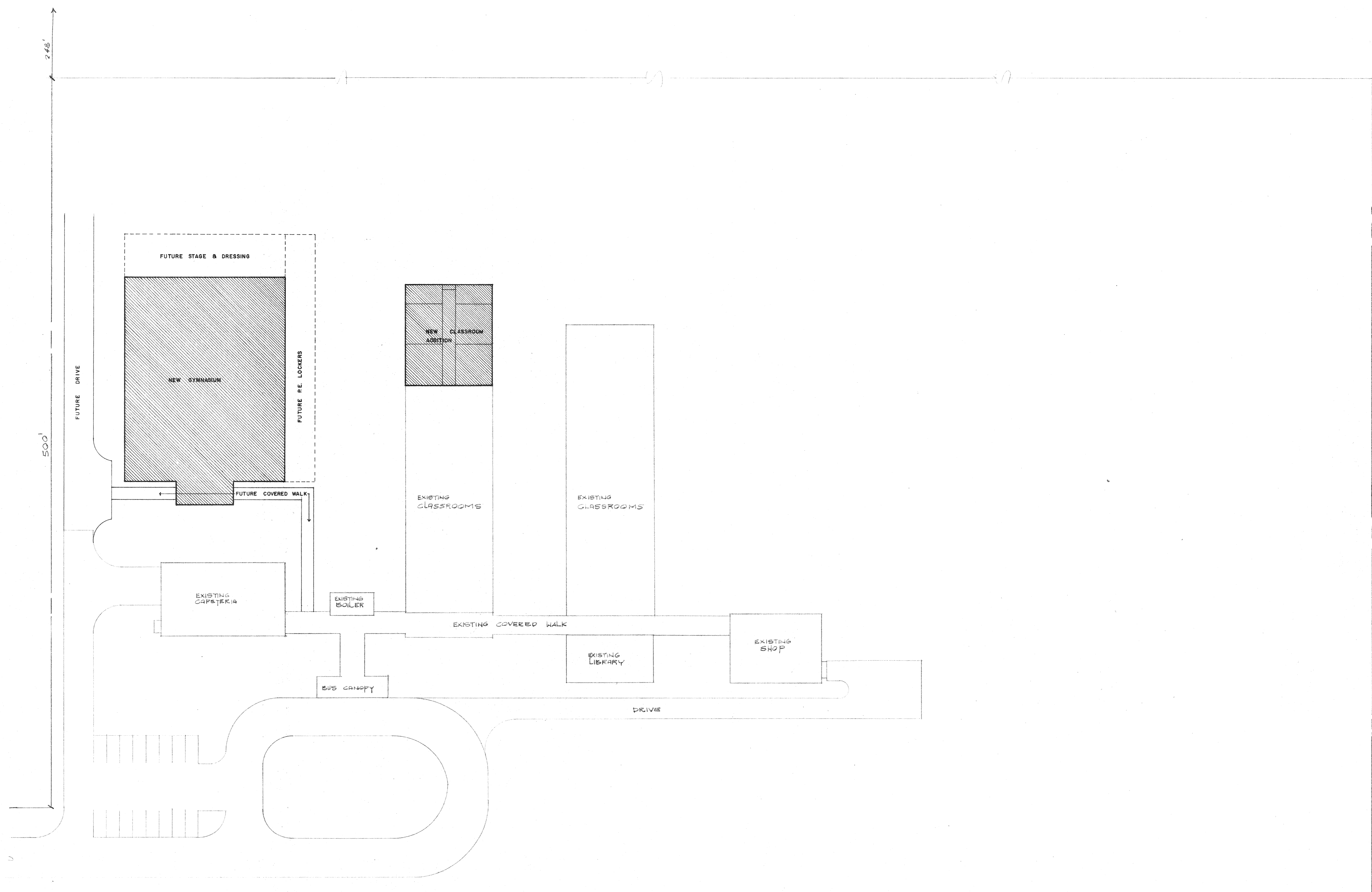
1/2" O.C. SEE UTILITY SITE PLAN  
 W.P. PULL BOXES 2" O.C. SEE UTILITY SITE PLAN

MISC. POWER AND AUXILIARY SYSTEMS PLAN - GYMNASIUM - SCALE: 1/8" = 1'-0"

Project No. **8041**  
 Drawn by **JB**  
 Checked by **JB**  
 Date **11/11/51**  
 Revised

**HAMILTON, MEYER and ASSOCIATES, INC.**  
 ARCHITECT and ENGINEER

ADDITIONS TO BOYET JUNIOR HIGH SCHOOL  
 SLIDELL, LOUISIANA  
 ST. TAMMANY PARISH SCHOOL BOARD, OWNER



**SITE PLAN**  
SCALE: 1"=30'-0"

project no. 5108  
drawn \_\_\_\_\_  
checked \_\_\_\_\_  
date 6-8-71  
revised \_\_\_\_\_

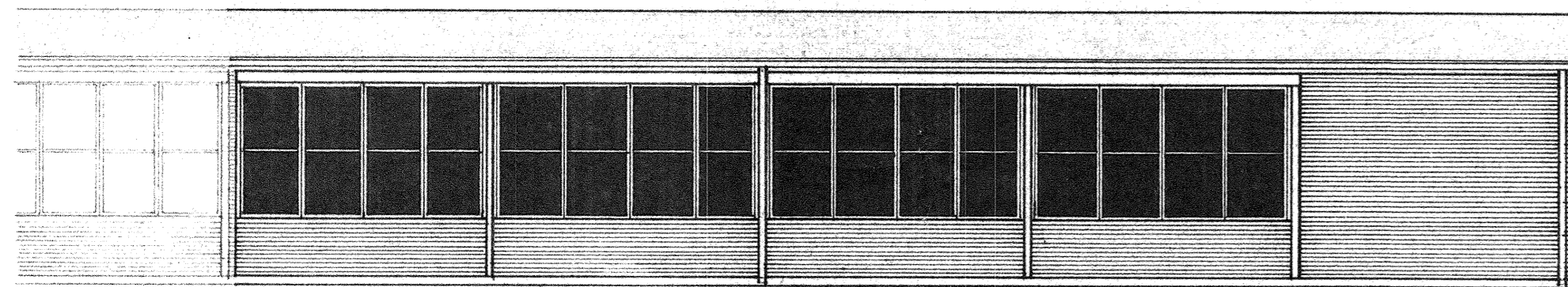
**HAMILTON, MEYER and ASSOCIATES, INC.**  
ARCHITECT — and — ENGINEER

ADDITIONS TO BOYET JUNIOR HIGH  
**ST. TAMMANY PARISH SCHOOL BOARD**  
SLIDELL, LOUISIANA  
WARD 8

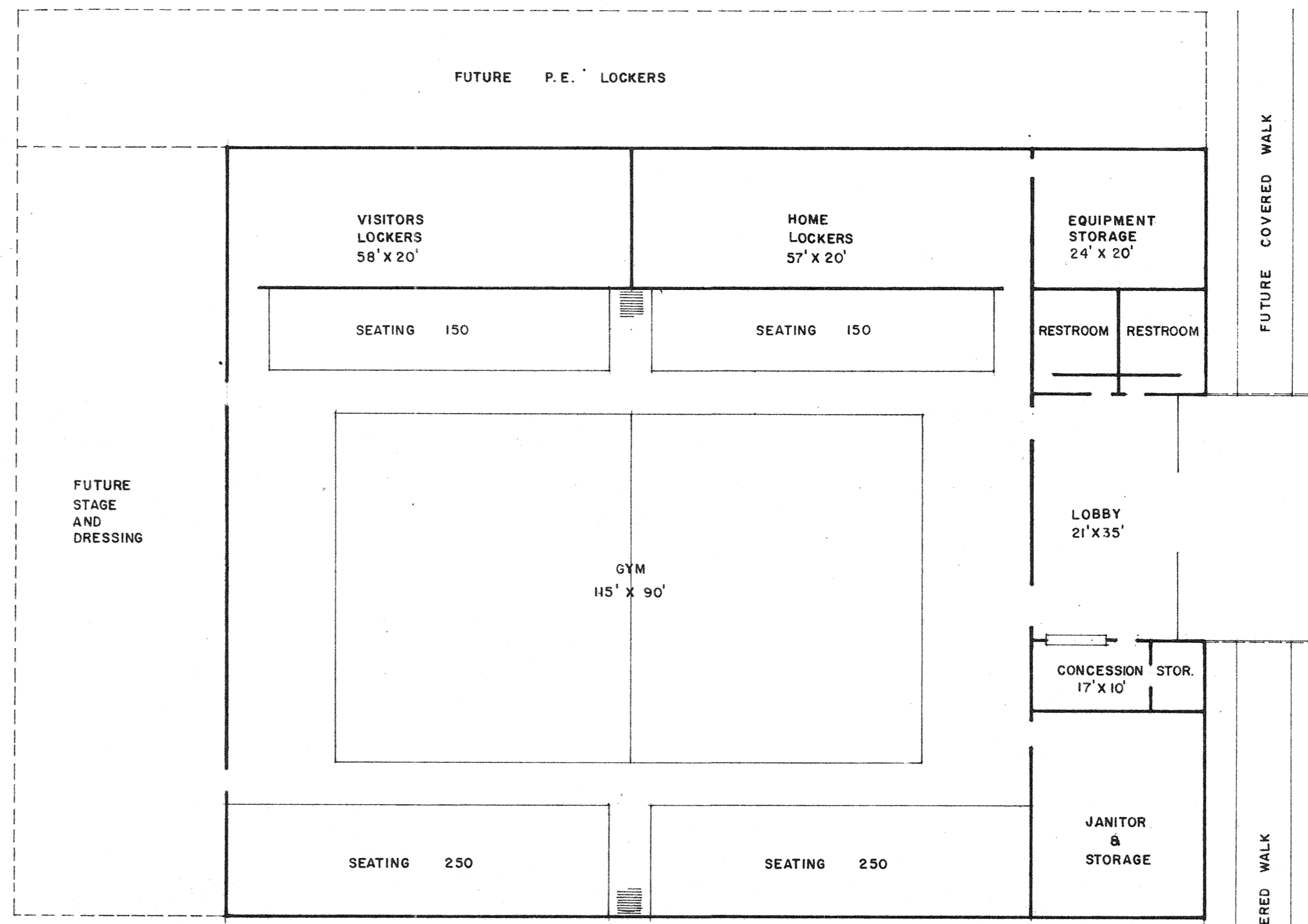
sheet no. **1**  
of 2 sheets



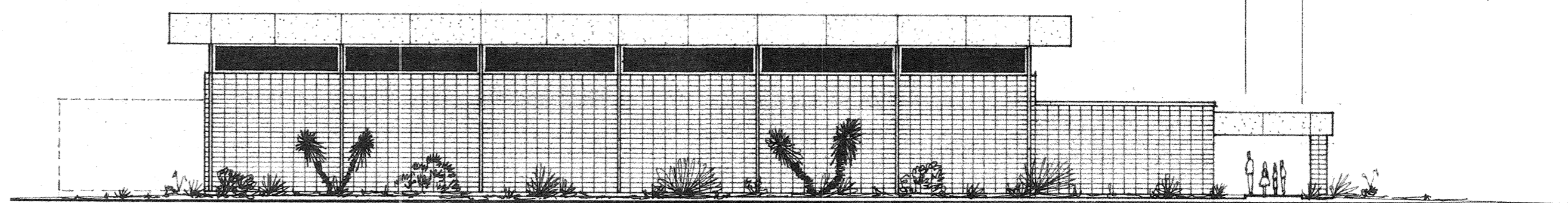
**FLOOR PLAN - NEW CLASSROOM ADDITION - 4340 SQ. FT.**  
SCALE: 1/8" = 1'-0"



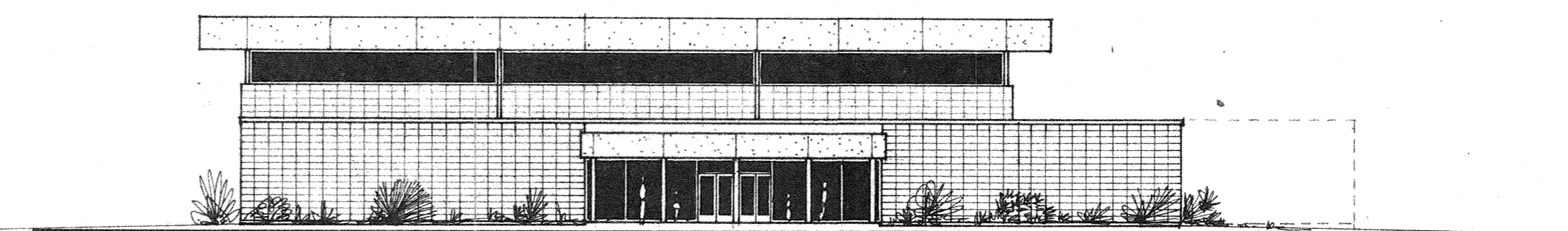
**SIDE ELEVATION**  
SCALE: 1/8" = 1'-0"



**FLOOR PLAN - NEW GYMNASIUM - 15,400 SQ. FT.**  
SCALE: 1/16" = 1'-0"



**SIDE ELEVATION**  
SCALE: 1/16" = 1'-0"



**FRONT ELEVATION**  
SCALE: 1/16" = 1'-0"

project no. 5108  
drawn  
checked  
date 6-8-71  
revised

**HAMILTON, MEYER and ASSOCIATES, INC.**  
ARCHITECT and ENGINEER

ADDITIONS TO BOYET JUNIOR HIGH  
**ST. TAMMANY PARISH SCHOOL BOARD**  
SLIDELL, LOUISIANA  
WARD 8

sheet no.  
**2**  
of 2 sheets