



ENGINEERED STEEL PRODUCTS

Priced Full Line Products Catalog

20 Technology Way • West Greenwich, RI 02817

Toll free:(800) 421-0314 • In RI:(401) 272-4570 • Fax:(401) 421-5679

[Home](#)

[Order](#)

[Search](#)

[Quote](#)

[Contact Us](#)

[About Us](#)

[My Account](#)

[Shopping Cart](#)

Categories >>>>

Select a Product Category
GO

Tuesday, December 20, 2022

[Back to Product Category.](#)

FIXED STEEL LADDERS - SERIES F AND SERIES M

FIXED STEEL LADDERS are designed for use where safe, solid vertical climbing access is required.

Series F and Series M modular fixed steel ladders are available with and without walk-thru handrails

at the top landing surface. Standard fixed and walk-thru models can be used up to 24' without safety

cages. OSHA requires safety cages on ladder heights exceeding 24'. Separate cages are offered for

updating older ladders to current safety standards. All fixed ladders meet applicable OSHA and

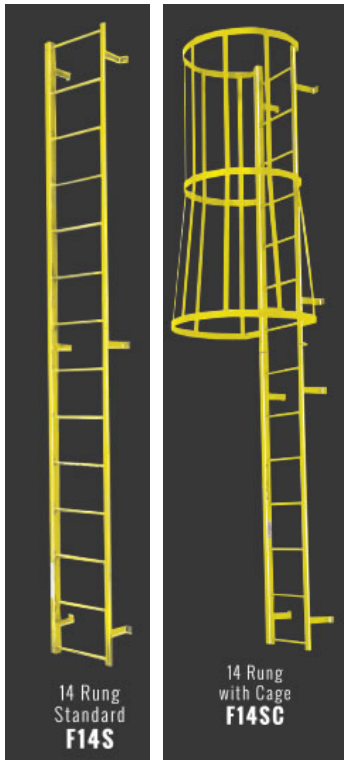
ANSI standards.



Gray powder coat finish is standard, yellow is optional.

Stainless Steel Construction also available

NOTE: Every new fixed ladder installation that extends more than 24 feet above a lower level must be equipped with a personal fall arrest system or a ladder safety system.



SERIES F FIXED LADDERS:

Ladders are heavy duty welded assemblies

SERIES M MODULAR FIXED LADDERS:

Ladders are heavy duty sub-assemblies, no section is greater than 7' in length.

CONSTRUCTION FEATURES:

- Side members are 1/4"x2"x2" steel angle. Climbing rungs are 3/4" corrugated steel round rungs space on 12" centers. Stand-off brackets are 7".

FIXED LADDERS WITH SAFETY CAGES:

Standard fixed steel ladders are combined with safety cage protection. They are available in

10' through 29' sizes and are ideal for hatch-way or side step landing access.

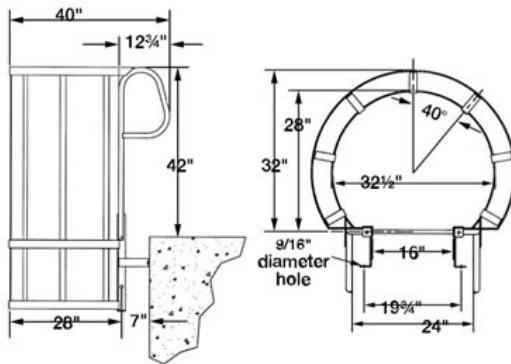
CAGE FEATURES:

- Cages have flared bottom opening for easy entry.
- Left or right side step access cage designs are available at no charge.
- Cage begins 7' from bottom of ladder.

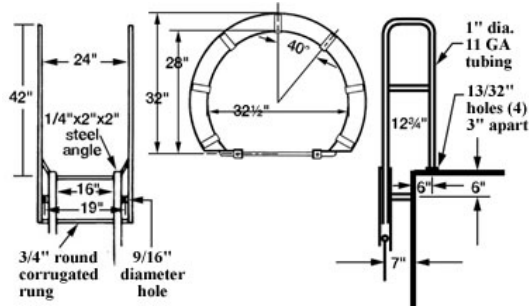
All: gray powder coat finish standard, yellow also available.

Stainless Steel Construction also available

SERIES "M" Modular Fixed Ladder Construction



SERIES "F" Construction Features



Order Online, by Phone, or by E-Mail

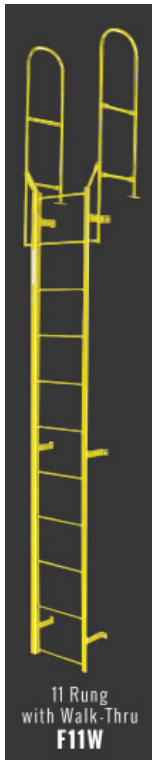
~ Add items to your online shopping cart ~
Click a Price of the item you wish to purchase.

PRICING FOR FIXED STEEL LADDERS - SERIES F AND SERIES M - STD & W/CAGE

SPECIFICATIONS			STANDARD				WITH CAGE						
OVERALL LENGTH	LENGTH: TOP TO BOTTOM RUNG	NO. RUNGS	SERIES "F" MODEL NO.	SHPG. WT.	PRICE (Powder Coat Finish)	PRICE (T-304 Stainless)	SERIES "M" MODEL NO.	PRICE (Powder Coat Finish)	PRICE (T-304 Stainless)	SHPG. WT.	SERIES "F" MODEL NO.	PRICE (Powder Coat Finish)	PRICE (T-304 Stainless)
3' 3"	3'	4	F4S	41	\$346	\$1,541	CLICK ON SERIES "F" MODEL NO. FOR DIMENSION DRAWINGS						
4' 3"	4'	5	F5S	50	\$423	\$1,825							
5' 3"	5'	6	F6S	58	\$490	\$2,094							
6' 3"	6'	7	F7S	66	\$562	\$2,384							
7' 3"	7'	8	F8S	75	\$642	\$2,670							
8' 3"	8'	9	F9S	87	\$745	\$2,971							
9' 3"	9'	10	F10S	95	\$808	\$3,249							
10' 3"	10'	11	F11S	104	\$878	\$3,520	M11SC	\$1,834	\$5,265	F11SC	202	\$1,834	\$5,265
11' 3"	11'	12	F12S	112	\$946	\$3,811	M12SC	\$1,990	\$5,836	F12SC	223	\$1,990	\$5,836
12' 3"	12'	13	F13S	120	\$1,019	\$4,089	M13SC	\$2,167	\$6,324	F13SC	243	\$2,167	\$6,324
13' 3"	13'	14	F14S	129	\$1,090	\$4,361	M14SC	\$2,316	\$6,720	F14SC	260	\$2,316	\$6,720
14' 3"	14'	15	F15S	137	\$1,161	\$4,631	M15SC	\$2,609	\$7,248	F15SC	274	\$2,609	\$7,248
15' 3"	15'	16	F16S	149	\$1,261	\$4,932	M16SC	\$2,821	\$7,832	F16SC	299	\$2,821	\$7,832
16' 3"	16'	17	F17S	158	\$1,346	\$5,230	M17SC	\$2,974	\$8,334	F17SC	318	\$2,974	\$8,334
17' 3"	17'	18	F18S	166	\$1,404	\$5,513	M18SC	\$3,140	\$8,779	F18SC	338	\$3,140	\$8,779
18' 3"	18'	19	F19S	174	\$1,472	\$5,781	M19SC	\$3,218	\$9,104	F19SC	346	\$3,218	\$9,104
19' 3"	19'	20	F20S	183	\$1,549	\$6,061	M20SC	\$3,394	\$9,658	F20SC	368	\$3,394	\$9,658
20' 3"	20'	21	-	-	-	-	M21SC	\$3,566	\$10,162	F21SC	388	\$3,566	\$10,162
21' 3"	21'	22					M22SC	\$3,720	\$10,556	F22SC	406	\$3,720	\$10,556
22' 3"	22'	23					M23SC	\$3,848	\$10,924	F23SC	421	\$3,848	\$10,924
23' 3"	23'	24					M24SC	\$4,028	\$11,593	F24SC	442	\$4,028	\$11,593
24' 3"	24'	25					M25SC	\$4,199	\$12,065	F25SC	462	\$4,199	\$12,065
25' 3"	25'	26					M26SC	\$4,361	\$12,472	F26SC	482	\$4,361	\$12,472
26' 3"	26'	27					M27SC	\$4,580	\$12,931	F27SC	508	\$4,580	\$12,931
27' 3"	27'	28					M28SC	\$4,754	\$13,494	F28SC	528	\$4,754	\$13,494
28' 3"	28'	29					M29SC	\$5,089	\$14,129	F29SC	548	\$5,089	\$14,129
29' 3"	29'	30					M30SC	\$5,263	\$14,552	F30SC	568	\$5,263	\$14,552

OSHA NOTE: Heights exceeding 30' require a standoff platform (see option model SP)

SHIPPING NOTE: All 15 thru 28 rung Series F models with cages ship in 2 sections. All 29 and 30 rung models ship in 3 sections.



FIXED LADDER WITH WALK-THRU HANDRAILS:

Ladders are designed for applications where safe landing access is required. They are one-piece welded assemblies for use in applications less than 20' in vertical height.

CONSTRUCTION FEATURES:

- Side members are 1/4"x2"x2" steel angle. 3/4" corrugated steel round climbing rungs on 12" centers. Stand-off brackets are 7".
- Walk-thru handrails extend 42" above landing surface. Mounting brackets included.
- Welded.

FIXED LADDER WITH WALK-THRU HANDRAILS AND SAFETY CAGES:

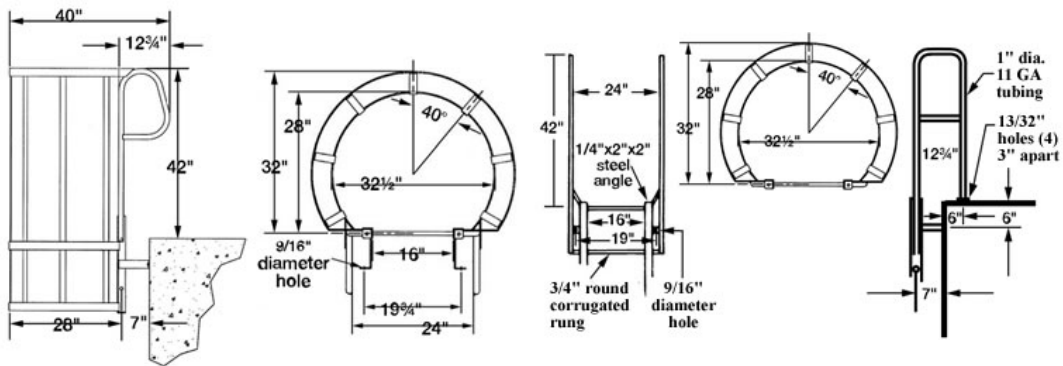
Designed for safe landing access and available from 10' to 29'. Cages and walk-thru handrails extend 42" above landing surface.

CAGE FEATURES:

- Cages have flared bottom opening for easy entry.
- Cage begins 7' from bottom of ladder.

All: gray powder coat finish standard, yellow also available.

Stainless Steel Construction also available



Order Online, by Phone, or by E-Mail

~ Add items to your online shopping cart ~
Click a Price of the item you wish to purchase.



**PRICING FOR FIXED STEEL LADDERS - SERIES F AND SERIES M -
WALK-THRU RAIL & W/WALK THRU & CAGE**

SPECIFICATIONS			STANDARD				WITH CAGE						
OVERALL LENGTH	LENGTH: TOP TO BOTTOM RUNG	NO. RUNGS	SERIES "F" MODEL NO.	SHPG. WT.	PRICE (Powder Coat Finish)	PRICE (T-304 Stainless)	SERIES "M" MODEL NO.	PRICE (Powder Coat Finish)	PRICE (T-304 Stainless)	SHPG. WT.	SERIES "F" MODEL NO.	PRICE (Powder Coat Finish)	PRICE (T-304 Stainless)
6' 8"	3'	4	F4W	68	\$582	\$2,536							
7' 8"	4'	5	F5W	77	\$656	\$2,813							
8' 8"	5'	6	F6W	85	\$724	\$3,081							
9' 8"	6'	7	F7W	93	\$785	\$3,362							
10' 8"	7'	8	F8W	102	\$864	\$3,640				212	F8WC	\$1,740	\$5,097
11' 8"	8'	9	F9W	114	\$961	\$3,936				224	F9WC	\$1,845	\$5,525
12' 8"	9'	10	F10W	122	\$1,033	\$4,232				232	F10WC	\$1,934	\$5,944
13' 8"	10'	11	F11W	131	\$1,103	\$4,503	M11WC	\$2,043	\$6,368	241	F11WC	\$2,043	\$6,368
14' 8"	11'	12	F12W	139	\$1,180	\$4,798	M12WC	\$2,216	\$6,799	262	F12WC	\$2,216	\$6,799
15' 8"	12'	13	F13W	147	\$1,243	\$5,066	M13WC	\$2,382	\$7,313	282	F13WC	\$2,382	\$7,313
16' 8"	13'	14	F14W	158	\$1,321	\$5,344	M14WC	\$2,532	\$7,701	299	F14WC	\$2,532	\$7,701
17' 8"	14'	15	F15W	166	\$1,389	\$5,610	M15WC	\$2,823	\$8,231	313	F15WC	\$2,823	\$8,231
18' 8"	15'	16	F16W	178	\$1,491	\$5,921	M16WC	\$3,027	\$8,677	338	F16WC	\$3,027	\$8,677
19' 8"	16'	17	F17W	185	\$1,561	\$6,206	M17WC	\$3,202	\$9,327	357	F17WC	\$3,202	\$9,327
20' 8"	17'	18	F18W	193	\$1,629	\$6,491	M18WC	\$3,366	\$9,766	377	F18WC	\$3,366	\$9,766
21' 8"	18'	19	F19W	201	\$1,699	\$6,763	M19WC	\$3,439	\$10,083	385	F19WC	\$3,439	\$10,083
22' 8"	19'	20	F20W	210	\$1,780	\$7,047	M20WC	\$3,617	\$10,510	407	F20WC	\$3,617	\$10,510
23' 8"	20'	21	-	-	-	-	M21WC	\$3,787	\$11,151	427	F21WC	\$3,787	\$11,151
24' 8"	21'	22					M22WC	\$3,944	\$11,542	445	F22WC	\$3,944	\$11,542
25' 8"	22'	23					M23WC	\$4,065	\$11,922	460	F23WC	\$4,065	\$11,922
26' 8"	23'	24					M24WC	\$4,239	\$12,430	481	F24WC	\$4,239	\$12,430
27' 8"	24'	25					M25WC	\$4,412	\$13,049	501	F25WC	\$4,412	\$13,049
28' 8"	25'	26					M26WC	\$4,746	\$13,625	521	F26WC	\$4,746	\$13,625
29' 8"	26'	27					M27WC	\$4,971	\$14,092	547	F27WC	\$4,971	\$14,092
30' 8"	27'	28					M28WC	\$5,151	\$14,514	567	F28WC	\$5,151	\$14,514
31' 8"	28'	29					M29WC	\$5,311	\$15,113	587	F29WC	\$5,311	\$15,113
32' 8"	29'	30					M30WC	\$5,484	\$15,529	607	F30WC	\$5,484	\$15,529

OSHA NOTE: Heights exceeding 30' require a standoff platform (see option model SP)

SHIPPING NOTE: All 15 thru 25 rung Series F models with cages ship in 2 sections. All 26 thru 30 rung models ship in 3 sections.

HOT DIP GALVANIZED FINISH OR STAINLESS STEEL CONSTRUCTION CAN BE QUOTED.

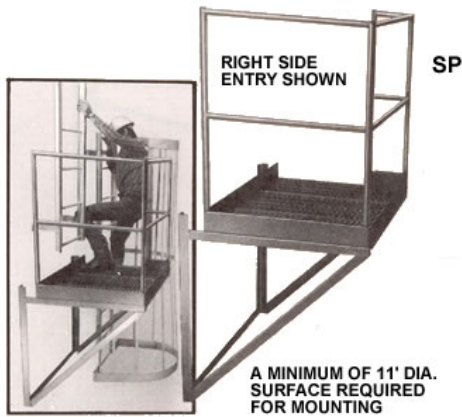


Order Online, by Phone, or by E-Mail

~ Add items to your online shopping cart ~
Click a Price of the item you wish to purchase.

ACCESSORIES

Our fixed steel ladder accessories are designed to provide an additional measure of safety or security for any fixed steel ladder.

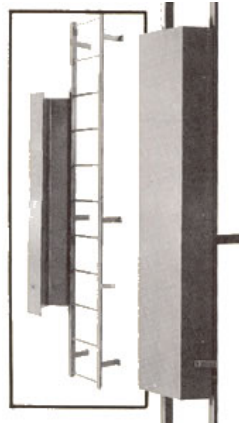
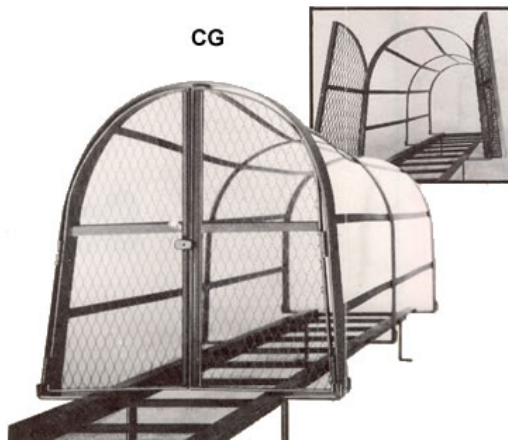


STANDOFF LANDING PLATFORM:

Standoff landing platforms with offset caged ladders are required by OSHA Standard 1910.27 at 30' maximum height intervals. These rugged, pre-engineered platforms are constructed with left or right entries as required.

OPTION SP

..... [\\$1,038](#)
Shipping wt. 165 lbs.



LG SECURITY LADDER GUARD:

The ladder guard is mounted directly over the ladder climbing rungs to prevent unauthorized use. It is available in 6' lengths. The guard has a one piece piano hinge, and is furnished with lock-open and lock-closed hasps.

OPTION LG-6

..... [\\$744](#)
Shipping wt. 62 lbs.

SECURITY CAGE ENTRY GATE:

The cage security gate is designed to prevent unauthorized entry into the bottom of the ladder cage. Doors have lockable hasp for complete security.

OPTION CG

..... [\\$385](#)
Shipping wt. 20 lbs.

Fixed Steel Ladders, Vertical Climbing Access, Walk-Thru Handrails, OSHA, Stainless Steel Construction, Fixed Ladders with Safety Cages, Standoff Landing Platforms with Offset Caged Ladders, Security Cage Entry Gate, and Security Ladder Guard from your source for material handling equipment.

[Back to Product Category.](#)



[Home](#) - [Order](#) - [Search](#) - [Quote](#) - [Contact Us](#) - [About Us](#) - [My Account](#) - [Shopping Cart](#)