

AIR HANDLING UNIT SCHEDULE

UNIT	AIR CAPACITY *		COOLING CAPACITY		CONDENSING UNIT **		ELECTRIC HEATER						
	NO. TYPE	AREA SERVED	MINIMUM TOTAL CFM	ENTERING LEAVING SUCT. FACE VEL. TEMP.	MAX. COIL FACE VEL.	TRANE COMP. FLA. MODEL NO.	TRANE COMP. FLA. MODEL NO.	M.C.A. KW	VOLTAGE PHASE CONTROL STEPS				
1	SZ	CAFETORIUM	8000	2000	54.7	54.6	208V/3P	208V/1P	64	75	208	3	3
2	SZ	CAFETORIUM	9500	2375	54.7	54.6	208V/3P	208V/1P	64	75	208	3	3

* EACH AIR UNIT SHALL HAVE FOUR SEPARATE REFRIGERANT CIRCUITS.
 ** TWO CONDENSING UNITS REQUIRED FOR EACH SYSTEM.

AIR CONDITIONING SYSTEM SCHEDULE

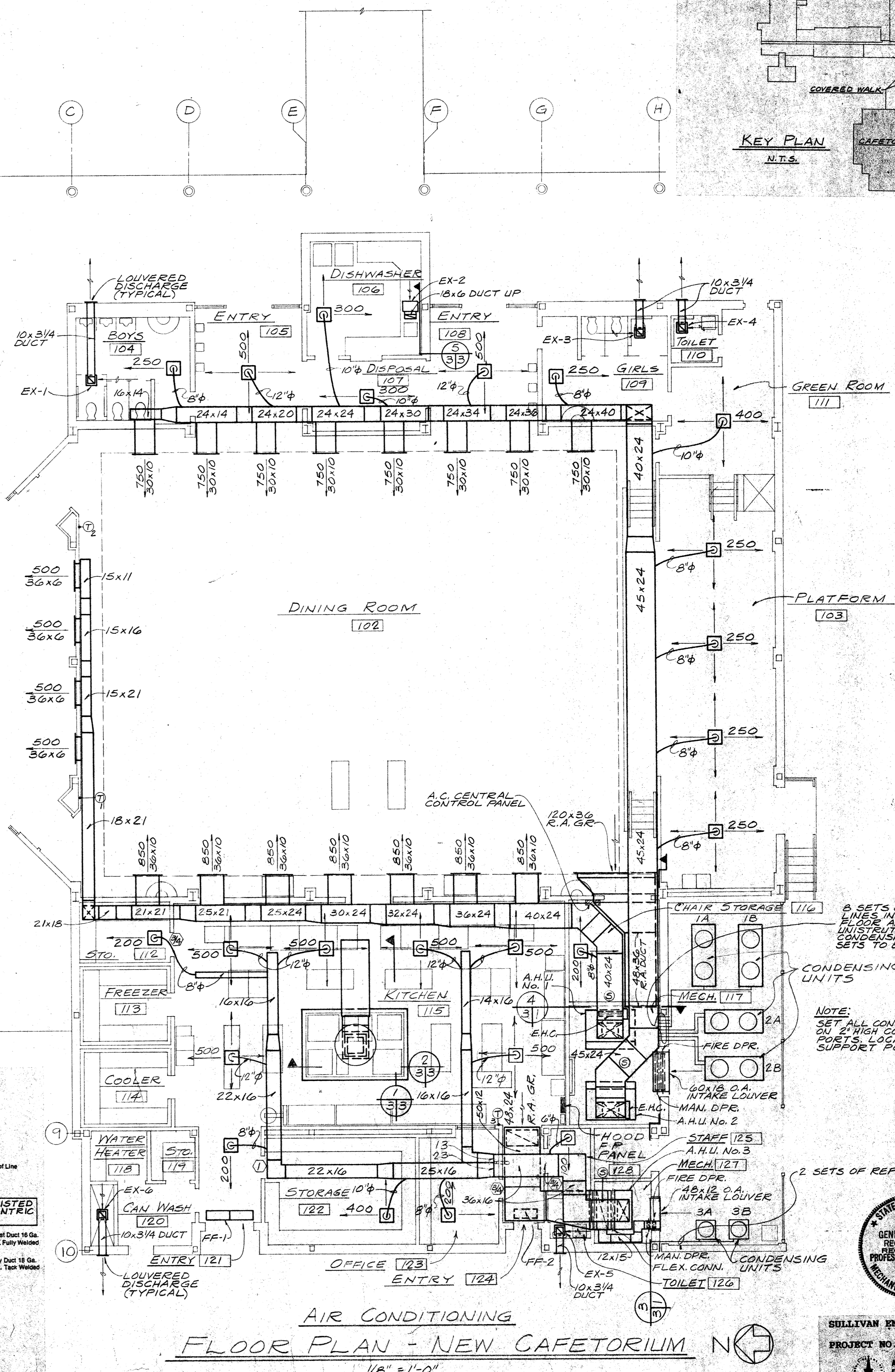
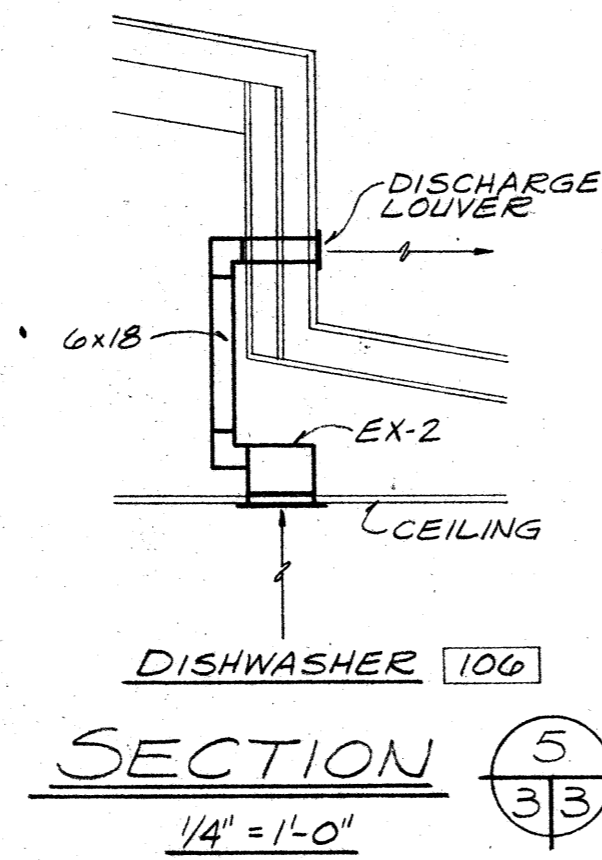
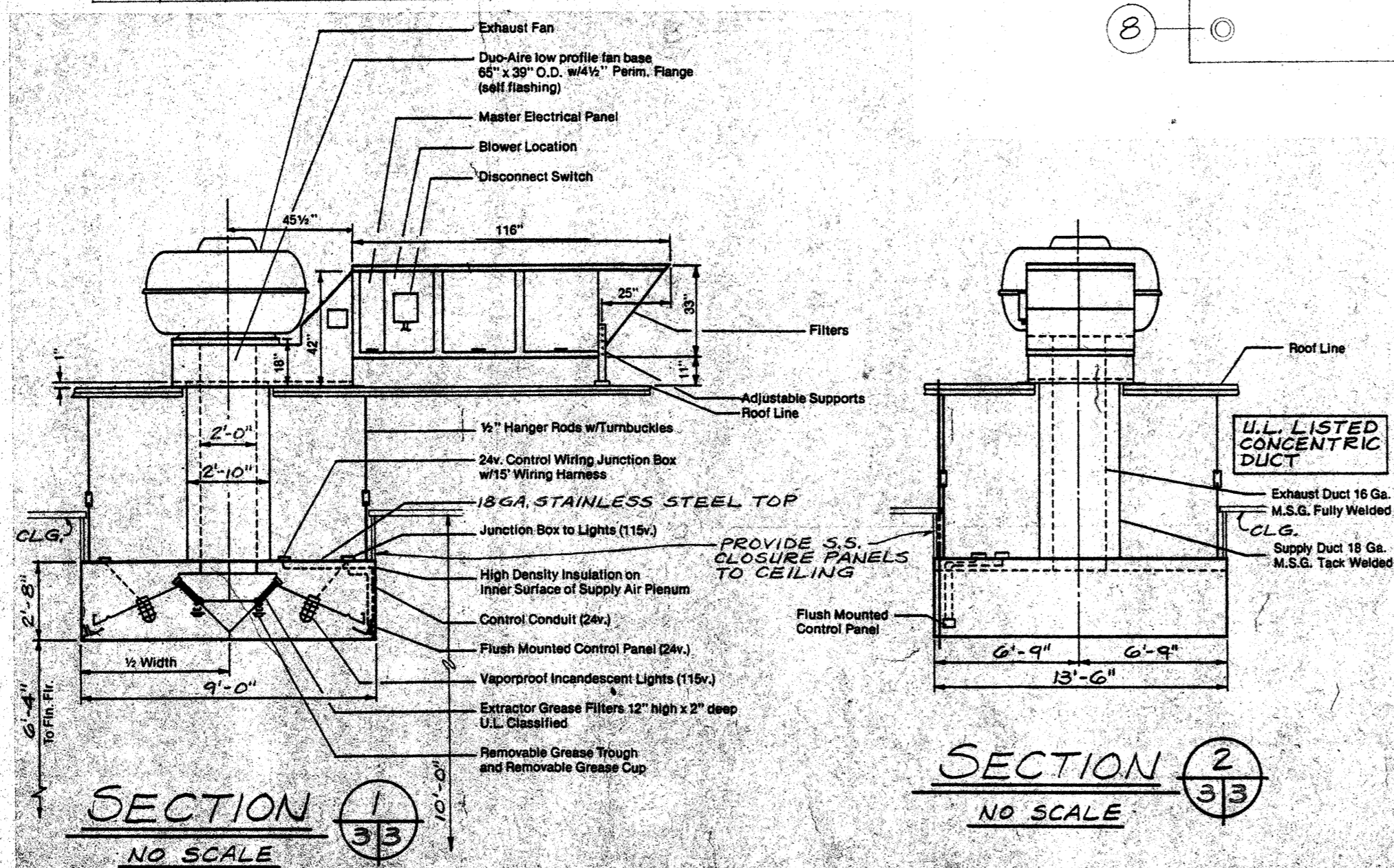
No.	CAPACITIES		AIR HANDLING UNIT		CONDENSING UNIT		ELECTRIC HEATER				
	MINIMUM EXT. S.F. COOLING CAPACITY SENSIBLE TOTAL	TRANE MODEL NO.	MOTOR WEIGHT H.P.	TRANE MODEL NO.	TRANE COMP. FLA. MODEL NO.	TRANE COMP. FLA. MODEL NO.	M.C.A. KW	VOLTAGE PHASE CONTROL STEPS			
3	4000	84,200	0.5	TWE120 B	2	470	225 EA	27	208	3	2

* TWO REFRIGERANT CIRCUITS.

FAN SCHEDULE

No.	LOCATION	SERVING	CFM	S.P. IN INCHES	RPM	MOTOR DATA H.P. VOLTAGE PHASE	GREENWICK MODEL NO.	REMARKS
FF-1	WALL ABOVE DOOR	ENTRY 121	2550	1/2	1750	1/2 115	30CH	WITH MICROSWITCHES FOR AUTO ON-OFF CONTROL
FF-2	WALL ABOVE DOOR	ENTRY 124	2850	1/2	1750	1/2 115	30CH	
EX-1	CAFETORIUM CLG.	BOYS TOILET 104	325	1/8	1550	1/15 115	SP-27	DISCHARGE TO OUTSIDE
EX-2	CAFETORIUM CLG.	DISHWASHER *	1010	1/8	1050	1/15 115	SP-60	DISCHARGE TO OUTSIDE
EX-3	CAFETORIUM CLG.	GIRLS TOILET 109	345	1/8	1550	1/15 115	SP-27	DISCHARGE TO OUTSIDE
EX-4	CAFETORIUM CLG.	TOILET ROOM 110	90	1/8	1550	1/25 115	SP-B	DISCHARGE TO OUTSIDE
EX-5	CAFETORIUM CLG.	TOILET ROOM 120	90	1/8	1550	1/25 115	SP-B	DISCHARGE TO OUTSIDE
EX-6	CAFETORIUM CLG.	CAN WASH 120	200	1/8	1050	1/40 115	SP-25	DISCHARGE TO OUTSIDE

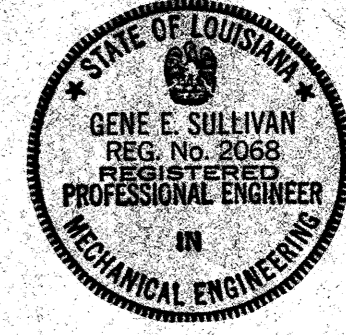
* ELECTRICALLY INTERLOCK FAN TO OPERATE WITH DISHWASHER



NOTE: SET ALL CONDENSING UNITS 3 1/2' HIGH CONCRETE SUPPORTS. LOCATE PER UNIT SUPPORT POINTS.

2 SETS OF REFRIGERANT LINES

8 SETS OF REFRIGERANT LINES IN ROOM. EXIT NEAR FLOOR AND RUN ON GALV. UNITS. SUPPORTS TO CONDENSING UNITS - TWO SETS TO EACH COND. UNIT



SULLIVAN ENGINEERS (APC)
 PROJECT NO. 9212
 American Consulting Engineers Council Member
 Supporting Excellence in Engineering

KEY PLAN N.T.S.

New Cafetorium
 SIXTH WARD JUNIOR HIGH SCHOOL
 Louisiana
 Pearl River
 ST. TAMMANY PARISH SCHOOL BOARD

JOB NO. 9117
 DATE 9-1-92
 REVISED

M-3
 OF 3

HAROLD BURNS and ASSOCIATES
 a joint venture
 ALCIATORE ASSOCIATES ARCHITECTS