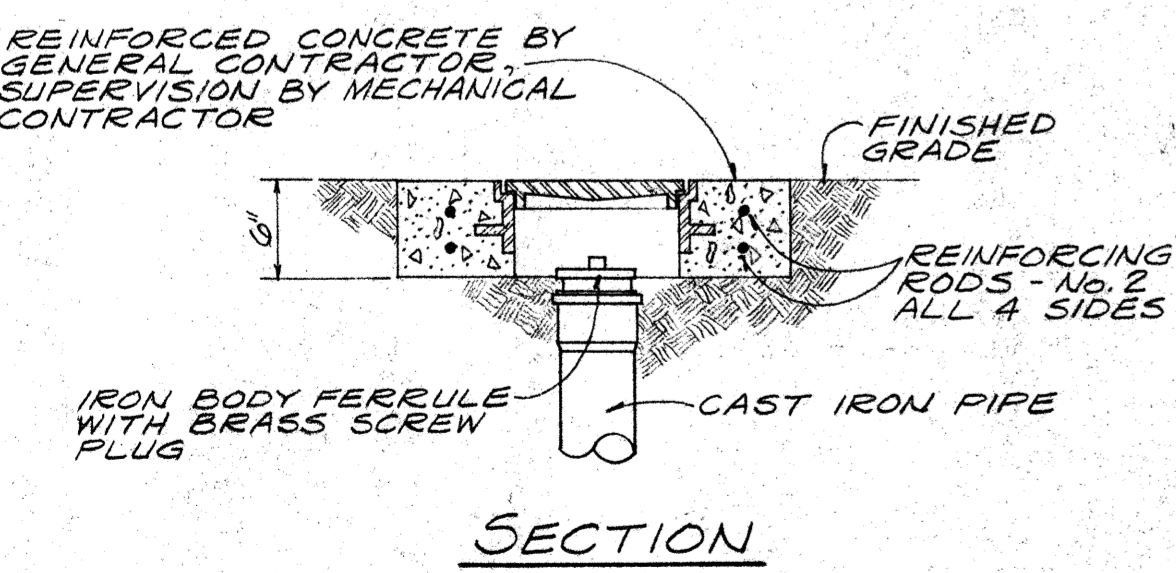
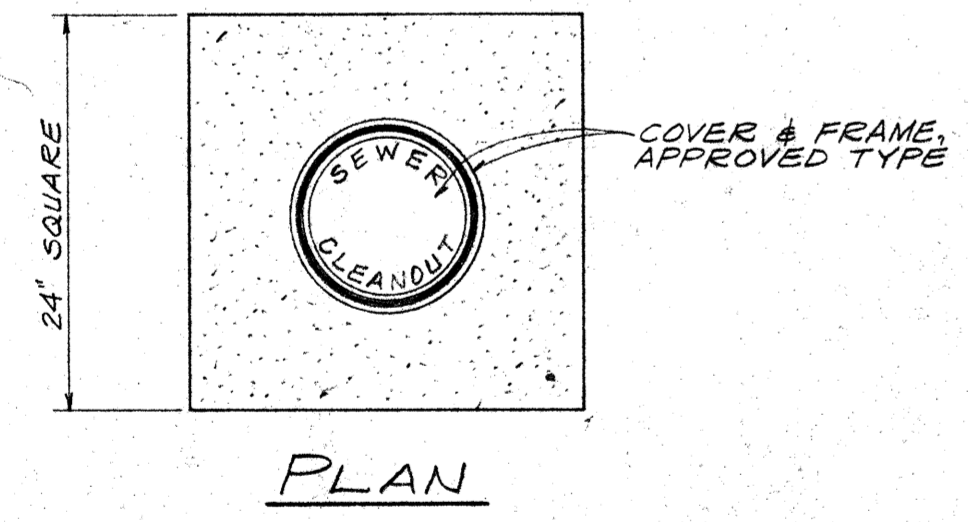
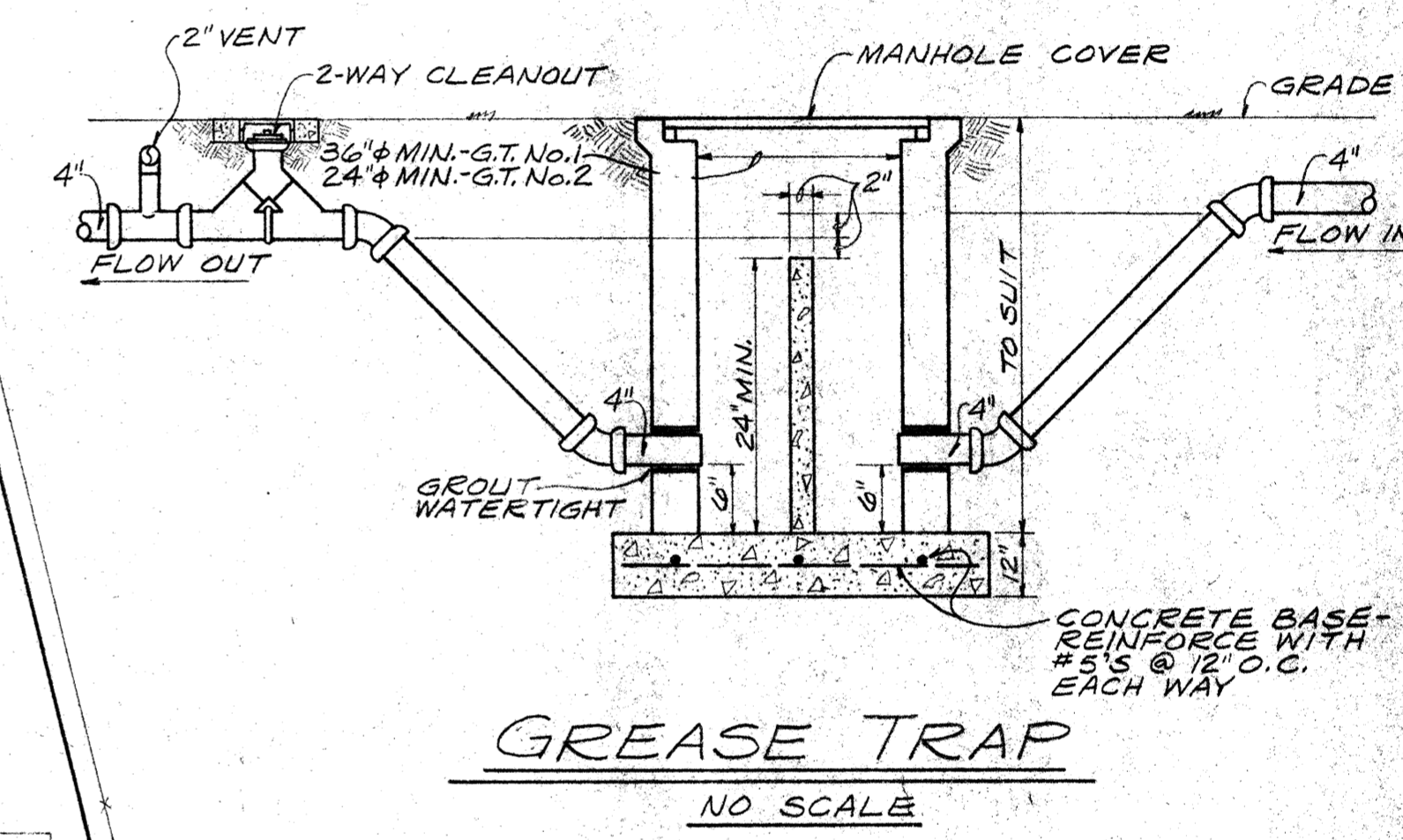
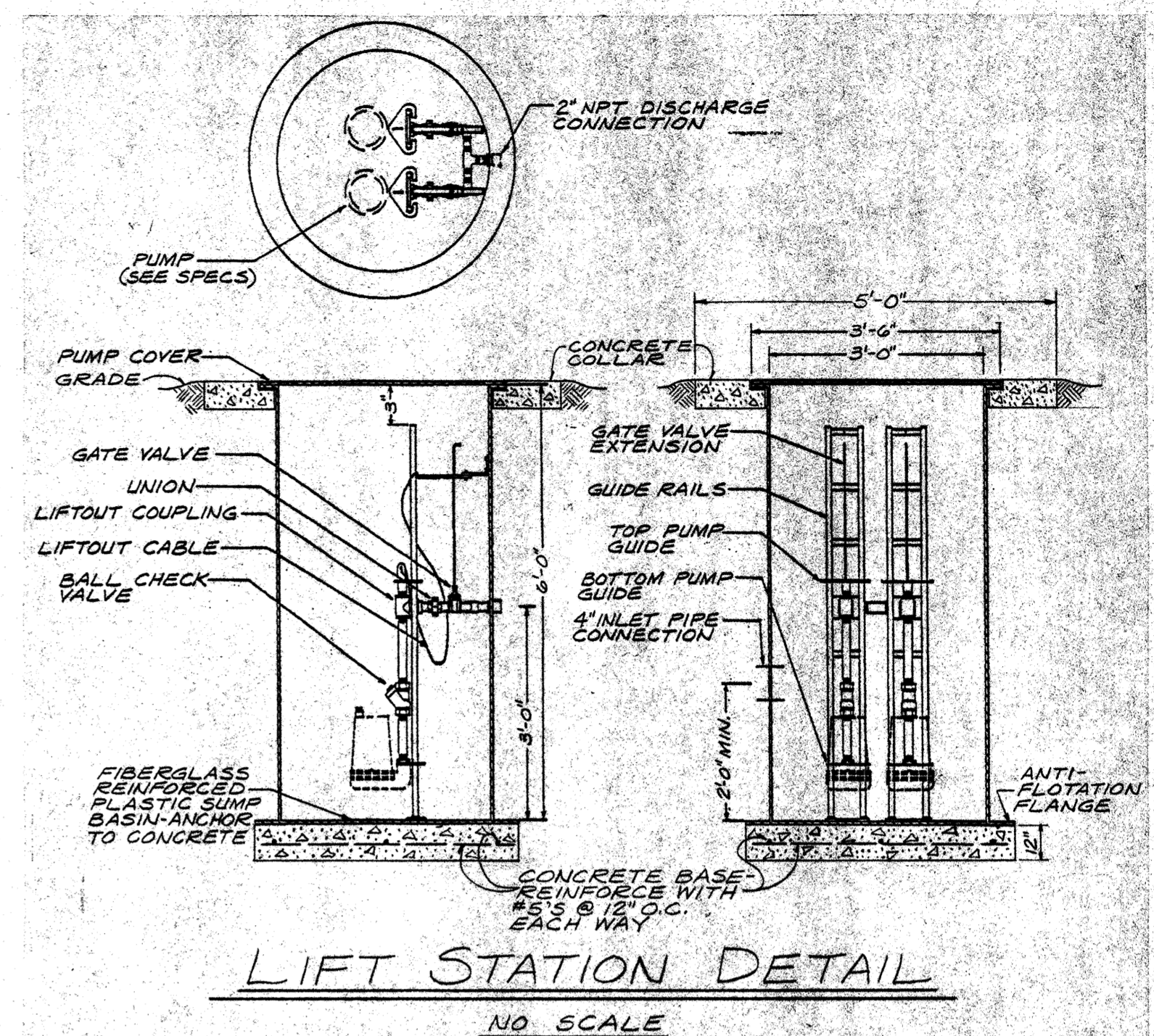
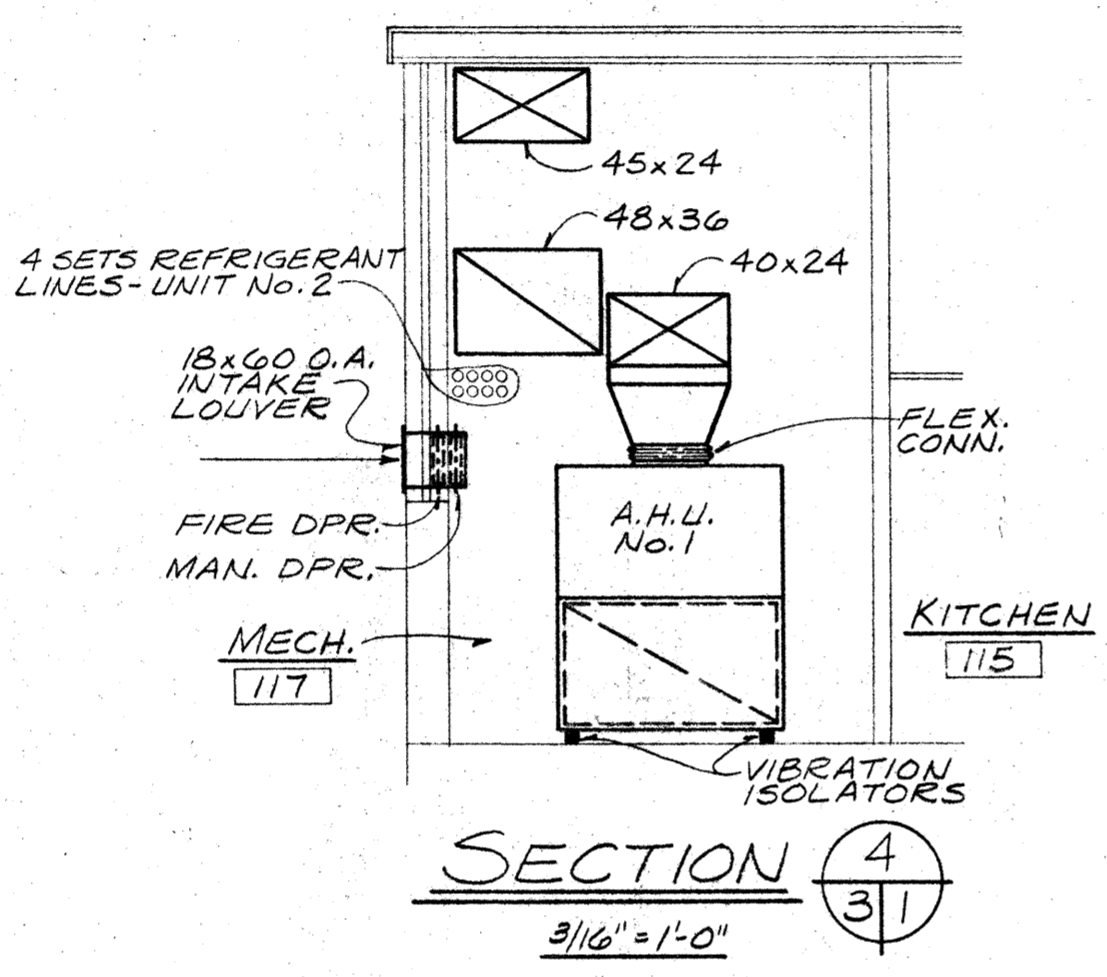
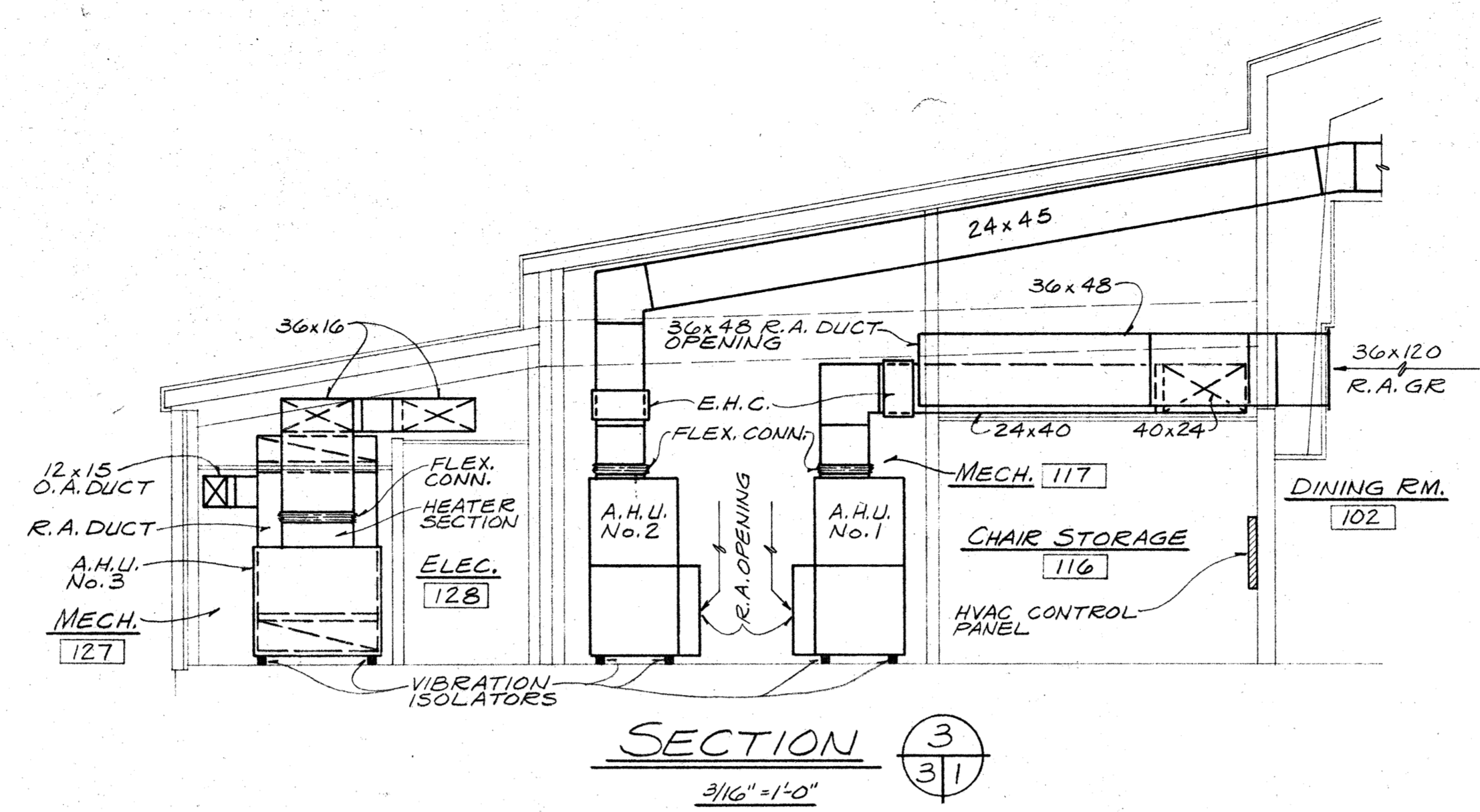


AIR CONDITIONING LEGEND

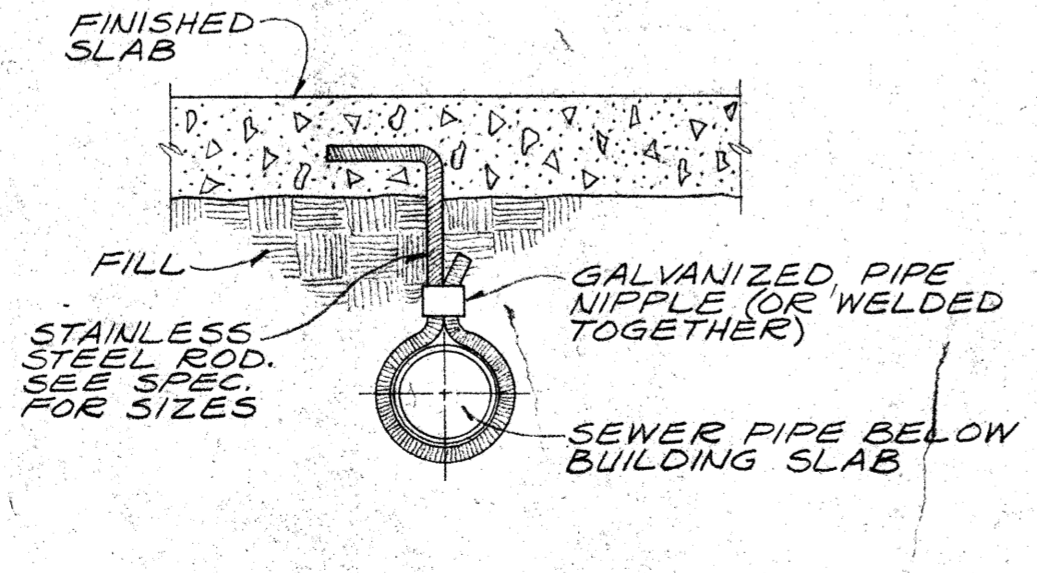
- SUPPLY OR OUTSIDE AIR
- ← RETURN OR EXHAUST AIR
- ▬ SUPPLY OR OUTSIDE AIR DUCT (SECTION)
- ▬ RETURN OR EXHAUST DUCT (SECTION)
- CEILING DIFFUSER (ARROWS INDICATE BLOW IF OTHER THAN 4-WAY)
- ▬ PREINSULATED FLEXIBLE DUCT
- E.H.C. ELECTRIC HEATING COIL
- ⊕ DOOR UNDERCUT BY GENERAL CONTRACTOR
- ⊙ TEMPERATURE SENSOR
- ⊖ FIRESTAT - SET @ 135°F
- D CONDENSATE DRAIN
- RS REFRIGERANT SUCTION (PIPING SHALL BE RUN AND SIZED IN ACCORDANCE WITH MANUFACTURER'S RECOMMENDATIONS)
- RL REFRIGERANT LIQUID
- ⊙ SMOKE DETECTOR

PLUMBING LEGEND

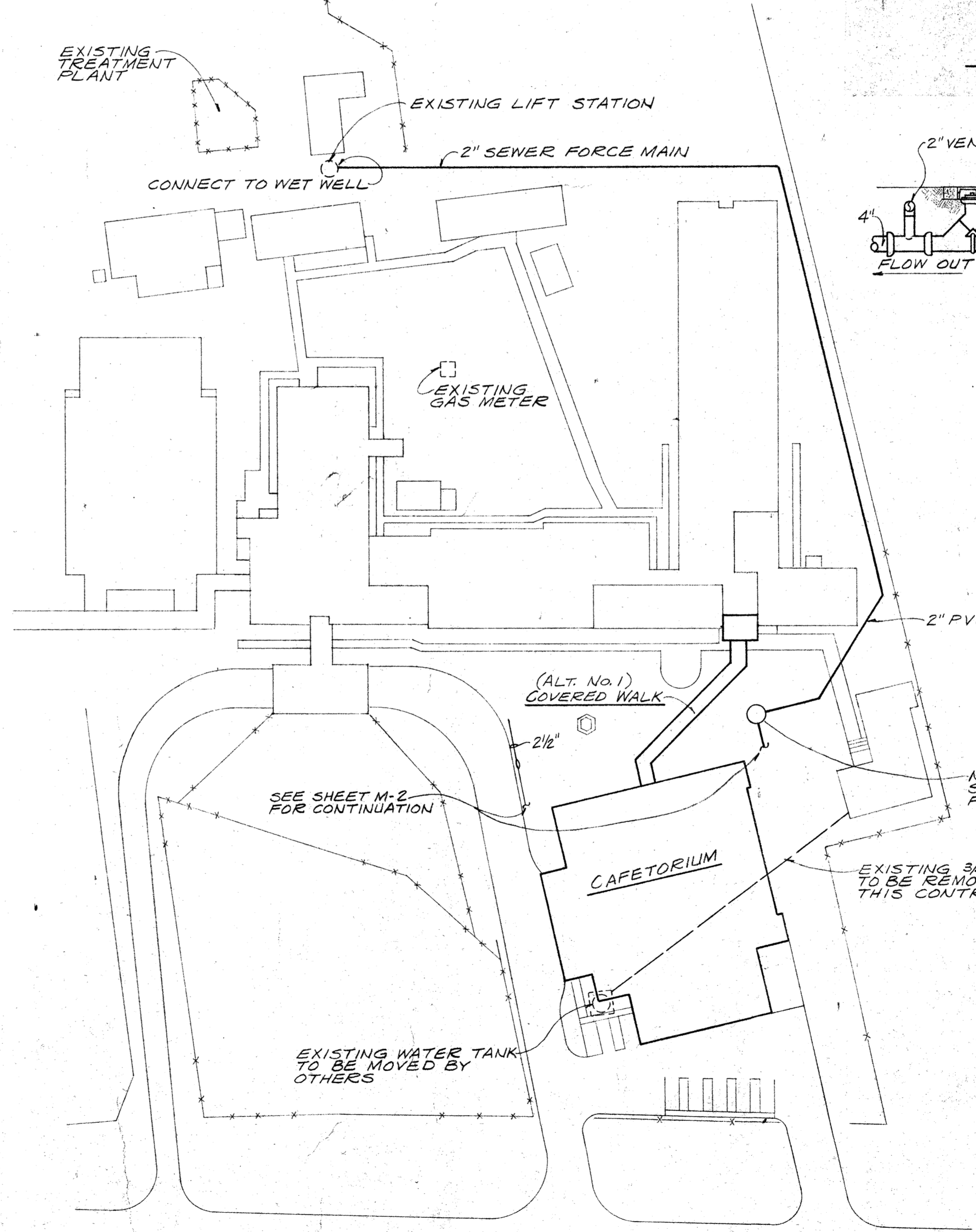
- SOIL & WASTE PIPING
- VENT PIPING
- GL GREASE LINE PIPING
- COLD WATER PIPING
- HOT WATER PIPING -125°
- HOT WATER PIPING -140°
- HOT WATER CIRCULATING PIPING -140°
- G GAS PIPING
- BALL VALVE
- ⊕ BUTTERFLY VALVE
- ⊗ VALVE IN C.I. BOX
- ⊎ CHECK VALVE
- C.O. CLEANOUT
- W.H. WALL HYDRANT
- H.B. HOSE BIBB
- V.T.R. VENT THRU ROOF
- INDICATES ITEMS OF EQUIPMENT FURNISHED UNDER OTHER DIVISIONS OF THE SPECS. BUT ROUGHED-IN FOR AND CONNECTED BY THIS CONTRACTOR



TYPICAL EXTERIOR CLEANOUT DETAIL
NO SCALE

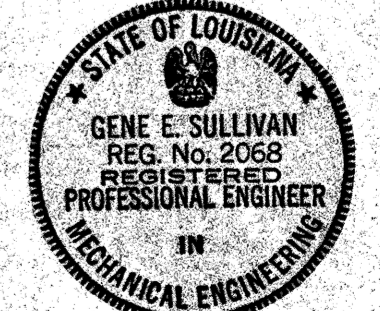


DETAIL OF PIPE HANGING BELOW BUILDING SLAB
NO SCALE



HAROLD BURNS and ASSOCIATES
a joint venture
ALCIATORE ASSOCIATES ARCHITECTS

New Cafetorium
SIXTH WARD JUNIOR HIGH SCHOOL
Louisiana
Pearl River
ST. TAMMANY PARISH SCHOOL BOARD



SULLIVAN ENGINEERS (APC)
PROJECT NO. 9212
American Consulting Engineers Council Member
Supporting Excellence in Engineering

JOB NO. 917
DATE 9-1-92
REVISED

M-1
OF 5

DRAIN SCHEDULE			
DESIG.	JOSAM No.	DESCRIPTION	REMARKS
F.D-1	30000-A	C.I. BODY WITH NIKALOY STRAINER	
F.D-2	30000-E1	C.I. BODY WITH EXTENDED RIM NIKALOY STRAINER	INSTALL WITH RIM FLUSH WITH FLOOR
F.D-3	30000-E1	C.I. BODY WITH EXTENDED RIM NIKALOY STRAINER	INSTALL WITH RIM RAISED ABOVE FLOOR
F.D-4	32220	C.I. BODY, ROUND TOP AND SEDIMENT BUCKET	

FIXTURE SCHEDULE						
FIXTURE	SYMBOL	WASTE	VENT	COLD WATER	HOT WATER	GAS
WATER CLOSET (FLUSH VALVE)	WC-1&2	4"	4"	1/4"		
NOT USED						
URINAL	U-1&U-2	2"	2"			
LAVATORY	L-1,L-2&L-3	1 1/2"	1 1/2"	1/2"	1/2"	
SINK	S	1 1/2"	1 1/2"	1/2"	1/2"	
HANDWASH	H.W.-1&2	2"	2"	1/2"	(S.S.) 1/2"	
CAN WASH	C.W.	4"	2"	1/2"	1/2"	
NOT USED						
ELECTRIC WATER COOLER	E.W.C.	2"	2"	1/2"		
FLOOR DRAIN	F.D.	2" & 4"	2"			
TILTING SKILLET WITH HOSE	13			1/2"	1/2"	1"
FRYER - DEEP FAT	14					1 1/4"
FRYER	14E					1 1/4"
OVEN	15					1 1/4"
OVEN	15E					1 1/4"
RANGE - TWO BURNER	16					1"
STEAMER	17E			1/2"		1"
VEGETABLE SINK	23	2"	2"	1/2"	1/2"	
THREE COMPARTMENT SINK	24	(3) 2"	2"	(2) 1/2"	(2) 1/2"	
SOILED DISH TABLE WITH SINK	24	2"	2"	1/2"	1/2"	
DISHWASHER	30	2"	2"		1/2"	

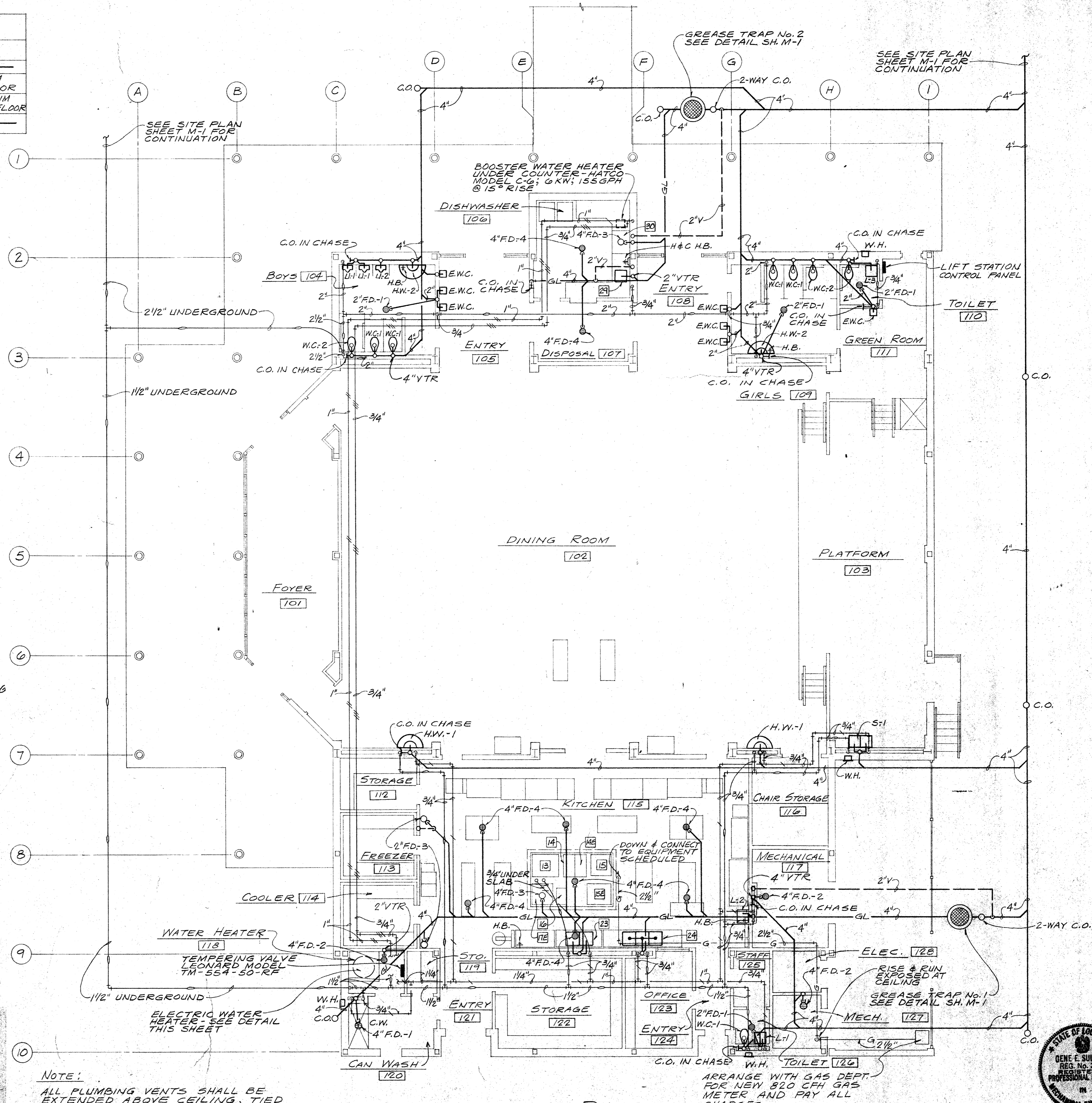
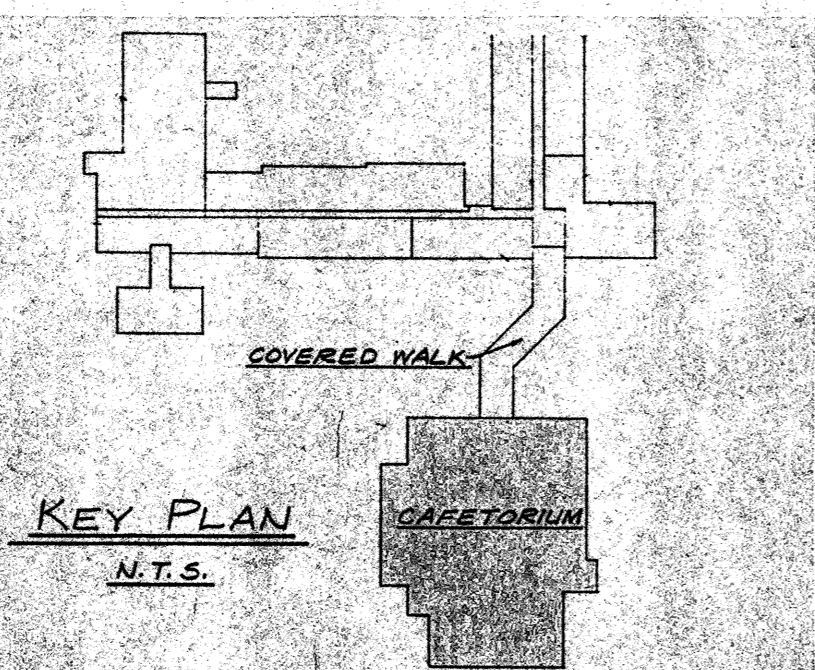
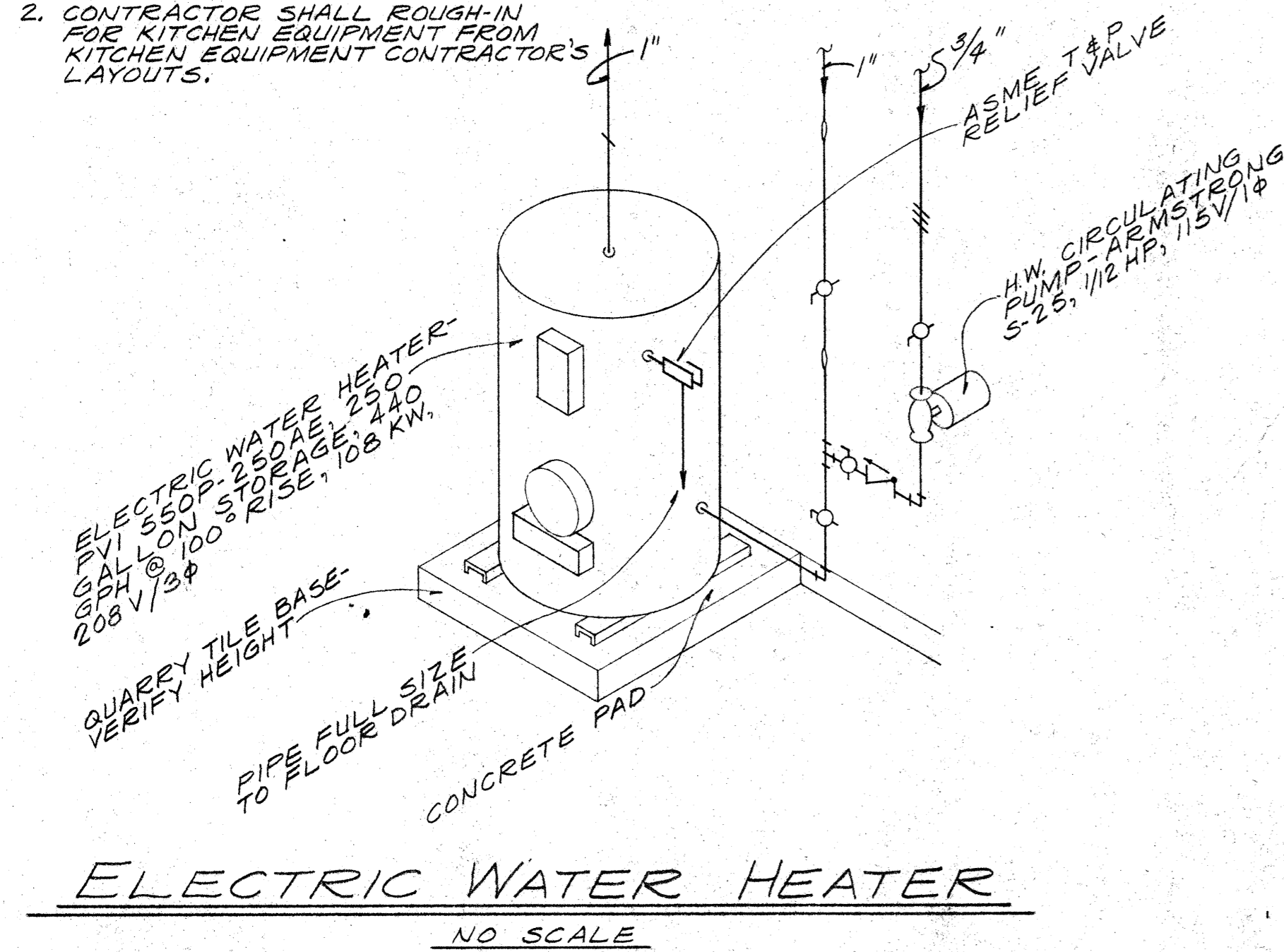
* INDICATES EXISTING ITEM OF EQUIPMENT TO BE DISCONNECTED FROM PRESENT LOCATION, RELOCATED TO NEW KITCHEN, SET IN PLACE AND CONNECTED BY THIS CONTRACTOR.

● INDICATES ITEMS OF EQUIPMENT FURNISHED UNDER OTHER DIVISIONS OF THE SPECS. BUT ROUGHED-IN FOR & CONNECTED BY THIS CONTRACTOR.

NOTES:

1. SEE ARCHITECTURAL DRAWINGS FOR EXACT LOCATIONS OF ALL PLUMBING FIXTURES.

2. CONTRACTOR SHALL ROUGH-IN FOR KITCHEN EQUIPMENT FROM KITCHEN EQUIPMENT CONTRACTOR'S LAYOUTS.



NOTE:
ALL PLUMBING VENTS SHALL BE EXTENDED ABOVE CEILING TIED TOGETHER WHEREVER POSSIBLE & EXTENDED THRU ROOF AS INDICATED. SEE ARCHITECTURAL FOR DETAILS OF ROOF PENETRATIONS.

PLUMBING FLOOR PLAN - NEW CAFETERIUM, N
1/8" = 1'-0"

SULLIVAN ENGINEERS (APC)
PROJECT NO. 9212
American Consulting Engineers Council Member
Supporting Excellence in Engineering

HAROLD BURNS and ASSOCIATES
a joint venture
ALCIATORE ASSOCIATES ARCHITECTS

New Cafetorium
SIXTH WARD JUNIOR HIGH SCHOOL
Louisiana
Pearl River
ST. TAMMANY PARISH SCHOOL BOARD

JOB NO. 9117
DATE 9-1-92
REVISED

M-2
OF 3

AIR HANDLING UNIT SCHEDULE

UNIT	AIR CAPACITY *		COOLING CAPACITY		CONDENSING UNIT **		ELECTRIC HEATER		
	NO. TYPE	AREA SERVED	MINIMUM TOTAL CFM	ENTERING LEAVING SUCT. FACE VEL. TEMP.	MAX. COIL FACE VEL.	TRANE COMP. FLA. MODEL NO.	TRANE COMP. FLA. MODEL NO.	M.C.A. KW	VOLTAGE PHASE CONTROL STEPS
1	SZ	CAFETORIUM	8000	54.7 54.6 46°	560	21TTA-180B	2@25.7 2@3.1	64 75	208 3 3
2	SZ	CAFETORIUM	9500	54.7 54.6 46°	560	21TTA-180B	2@25.7 2@3.1	64 75	208 3 3

* EACH AIR UNIT SHALL HAVE FOUR SEPARATE REFRIGERANT CIRCUITS.
 ** TWO CONDENSING UNITS REQUIRED FOR EACH SYSTEM.

AIR CONDITIONING SYSTEM SCHEDULE

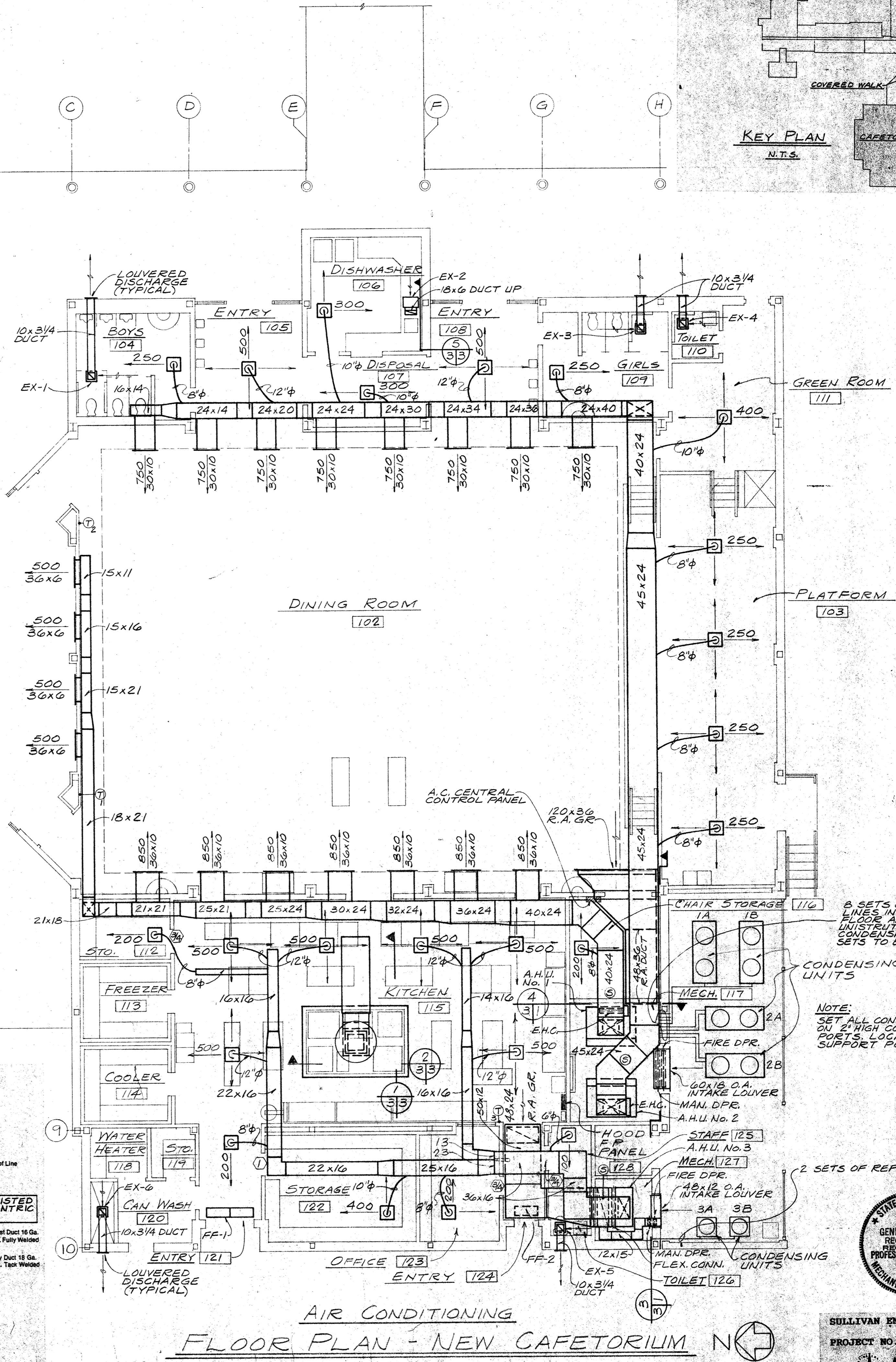
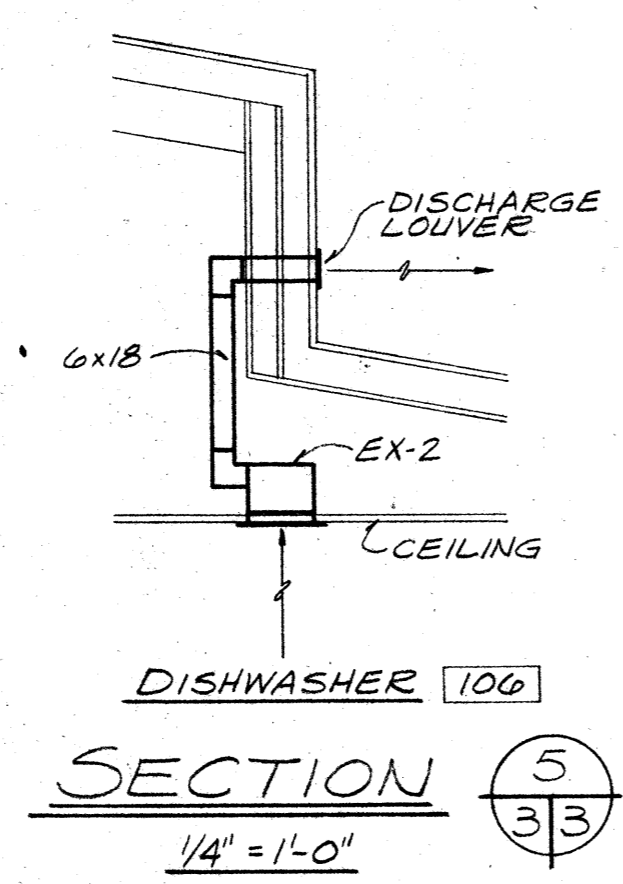
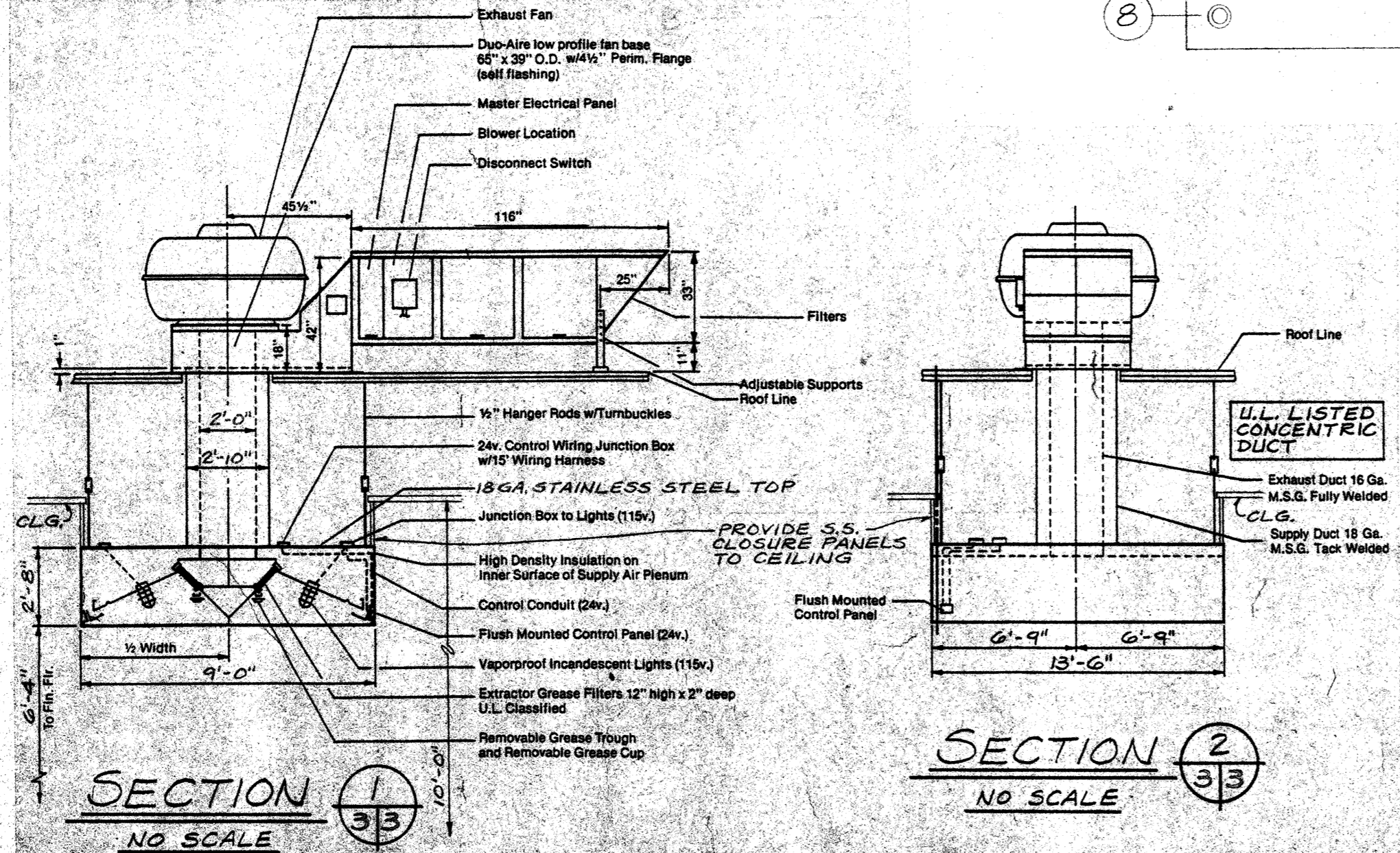
No.	CAPACITIES		AIR HANDLING UNIT		CONDENSING UNIT		ELECTRIC HEATER						
	MINIMUM EXT. S.F. COOLING CAPACITY SENSIBLE TOTAL	TRANE MODEL NO.	TRANE MODEL NO.	TRANE MODEL NO.	TRANE MODEL NO.	TRANE MODEL NO.	TRANE MODEL NO.	TRANE MODEL NO.					
3	4000	0.5	84,200	115,000	TWE120 B *	2	470	(2)TTA060A	20 EA. 225 EA.	27	208	3	2

* TWO REFRIGERANT CIRCUITS.

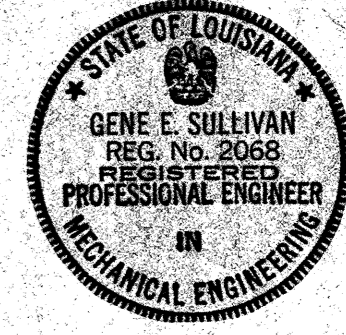
FAN SCHEDULE

No.	LOCATION	SERVING	CFM	S.P. IN INCHES	RPM	MOTOR DATA H.P. VOLTAGE PHASE	GREENWICK MODEL NO.	REMARKS
FF-1	WALL ABOVE DOOR	ENTRY 121	2550	1/2	1750	1/2 115	(2) 30CH	WITH MICROSWITCHES FOR AUTO ON-OFF CONTROL
FF-2	WALL ABOVE DOOR	ENTRY 124	2850	1/2	1750	1/2 115	30CH	
EX-1	CAFETORIUM CLG.	BOYS TOILET 104	325	1/8	1550	1/15 115	SP-27	DISCHARGE TO OUTSIDE
EX-2	CAFETORIUM CLG.	DISHWASHER *	1010	1/8	1050	1/15 115	SP-60	DISCHARGE TO OUTSIDE
EX-3	CAFETORIUM CLG.	GIRLS TOILET 109	345	1/8	1550	1/15 115	SP-27	DISCHARGE TO OUTSIDE
EX-4	CAFETORIUM CLG.	TOILET ROOM 110	90	1/8	1550	1/25 115	SP-B	DISCHARGE TO OUTSIDE
EX-5	CAFETORIUM CLG.	TOILET ROOM 120	90	1/8	1550	1/25 115	SP-B	DISCHARGE TO OUTSIDE
EX-6	CAFETORIUM CLG.	CAN WASH 120	200	1/8	1050	1/40 115	SP-25	DISCHARGE TO OUTSIDE

* ELECTRICALLY INTERLOCK FAN TO OPERATE WITH DISHWASHER



KEY PLAN N.T.S.



SULLIVAN ENGINEERS (APC)
 PROJECT NO. 9212
 American Consulting Engineers Council Member
 Supporting Excellence in Engineering

HAROLD BURNS and ASSOCIATES
 a joint venture
ALCIATORE ASSOCIATES ARCHITECTS

New Cafetorium
SIXTH WARD JUNIOR HIGH SCHOOL
 Louisiana
 Pearl River
 ST. TAMMANY PARISH SCHOOL BOARD

JOB NO. 9117
 DATE 9-1-92
 REVISED

M-3
 OF 3