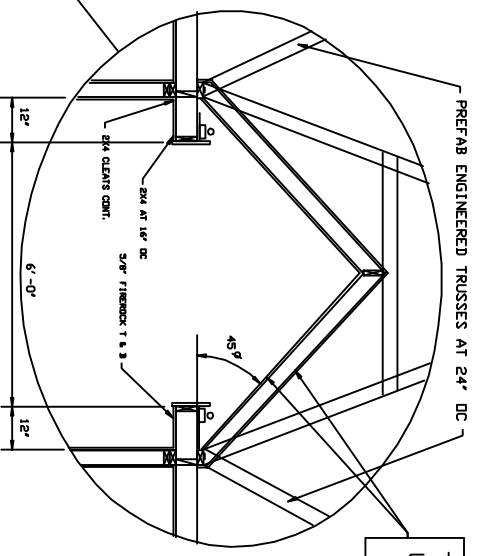


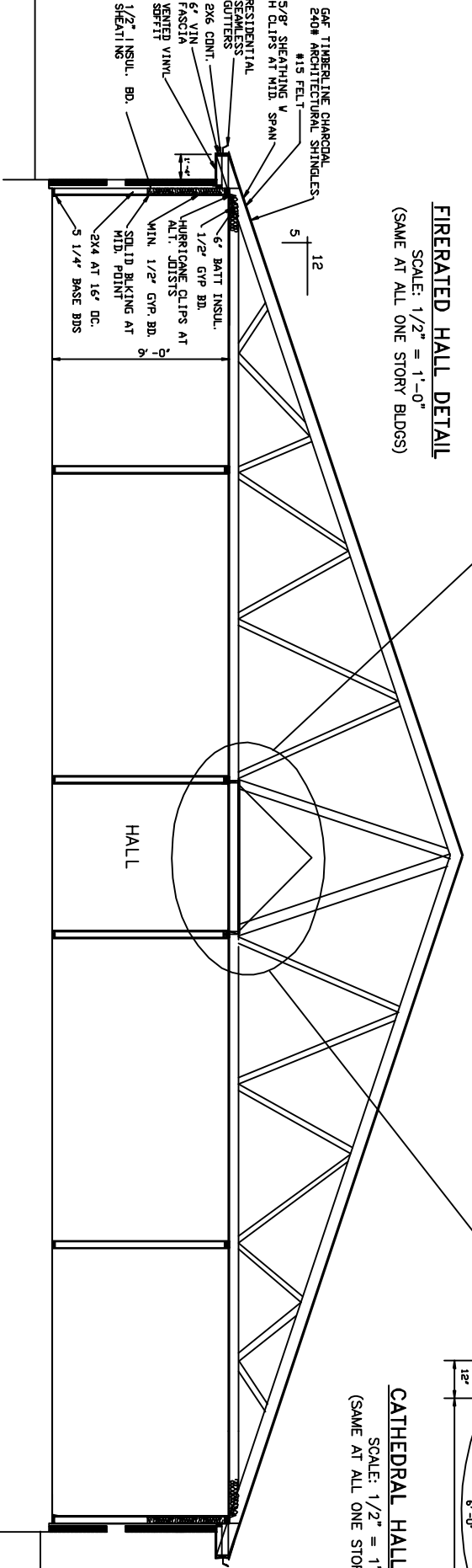
TOP SIDE 3/4" T&G UNDERLAYMENT PLYWOOD
 UNDER SIDE OF 5/8" FIREROCK GYP. BRD.
 IN FURRING CHANNELS. (AS PER UL L-513 DESIGN)



TOP SIDE 3/4" T&G UNDERLAYMENT PLYWOOD
 UNDER SIDE OF 5/8" FIREROCK GYP. BRD.
 IN FURRING CHANNELS. (AS PER UL L-513 DESIGN)

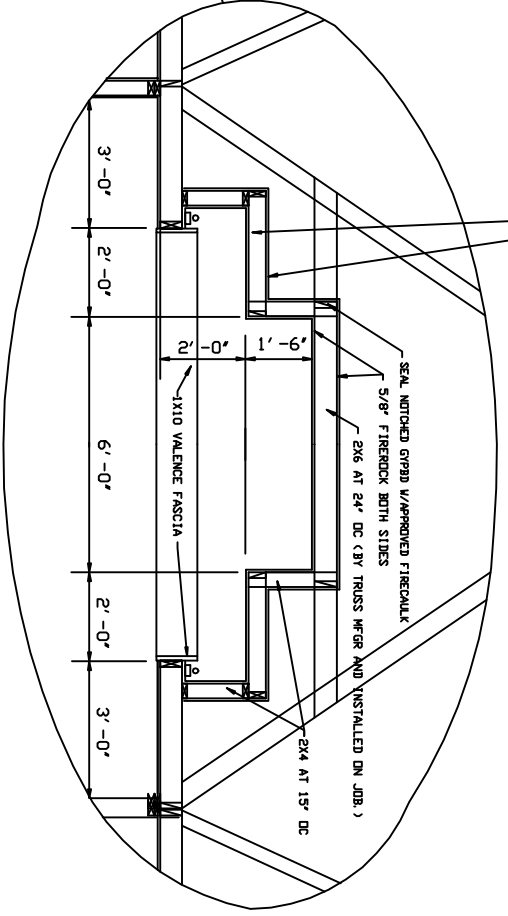
FIRERATED HALL DETAIL
 SCALE: 1/2" = 1'-0"
 (SAME AT ALL ONE STORY BLDGS)

CATHEDRAL HALL DETAIL
 SCALE: 1/2" = 1'-0"
 (SAME AT ALL ONE STORY BLDGS)

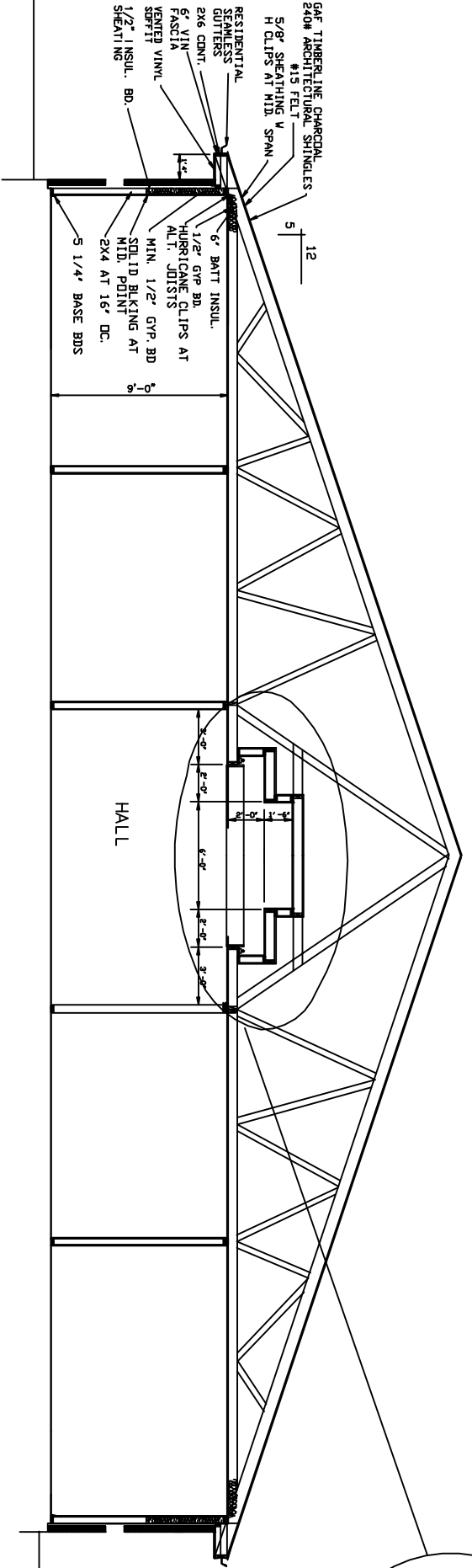


BUILDING SECTION 1
 SCALE: 1/4" = 1'-0"
 A13

TOP SIDE 3/4" T&G UNDERLAYMENT PLYWOOD
 UNDER SIDE OF 5/8" FIREROCK GYP. BRD.
 IN FURRING CHANNELS. (AS PER UL L-513 DESIGN)



DBL. COFFERED HALL DETAIL
 SCALE: 1/2" = 1'-0"
 (SAME AT ALL ONE STORY BLDGS)
 (SIM. AT ONE LEVEL COFFERED CEILING)



BUILDING SECTION 2
 SCALE: 1/4" = 1'-0"
 A13

REVISED 01/03/01

| | | | |
|------------------------------|--|---|---|
| SHEET A-13 OF - | DATE: 07/28/00 JOB No.: - FILE: - SCALE: AS NOTED | <p>"CAMELLIA GARDENS"</p> <p>DAMMON ENGINEERING, INC.</p> <p>ARCHITECTS - ENGINEERS</p> <p>819 ROBERT ROAD SLIDELL, LA. 70458</p> | <p>MARK DEVELOPMENT, LLC.</p> <p>CAMELLIA GARDENS POSSUM HOLLOW ROAD SLIDELL, LA</p> |
|------------------------------|--|---|---|