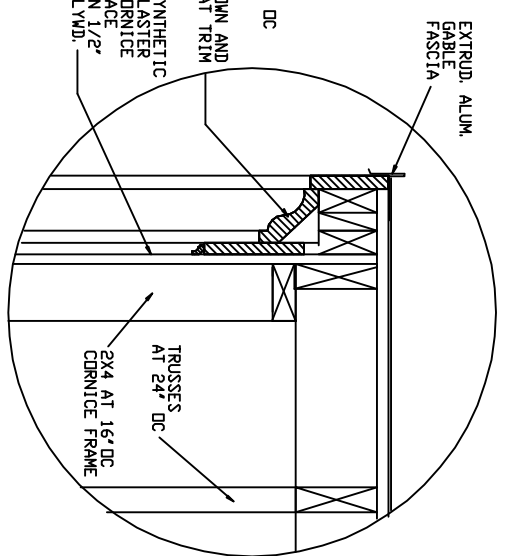
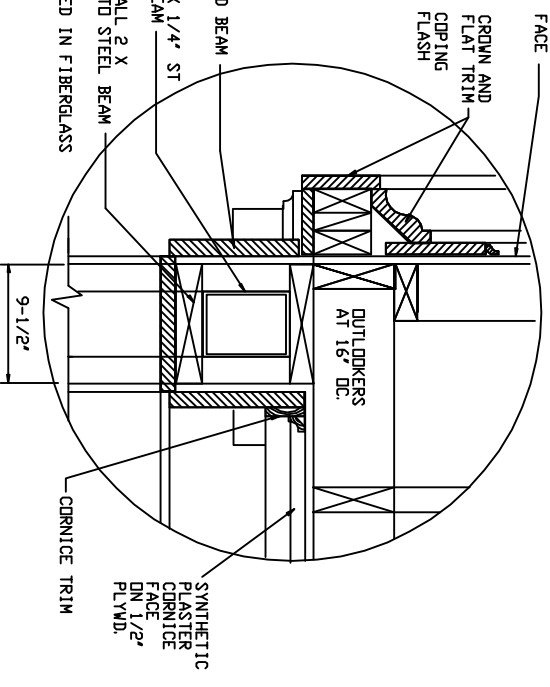


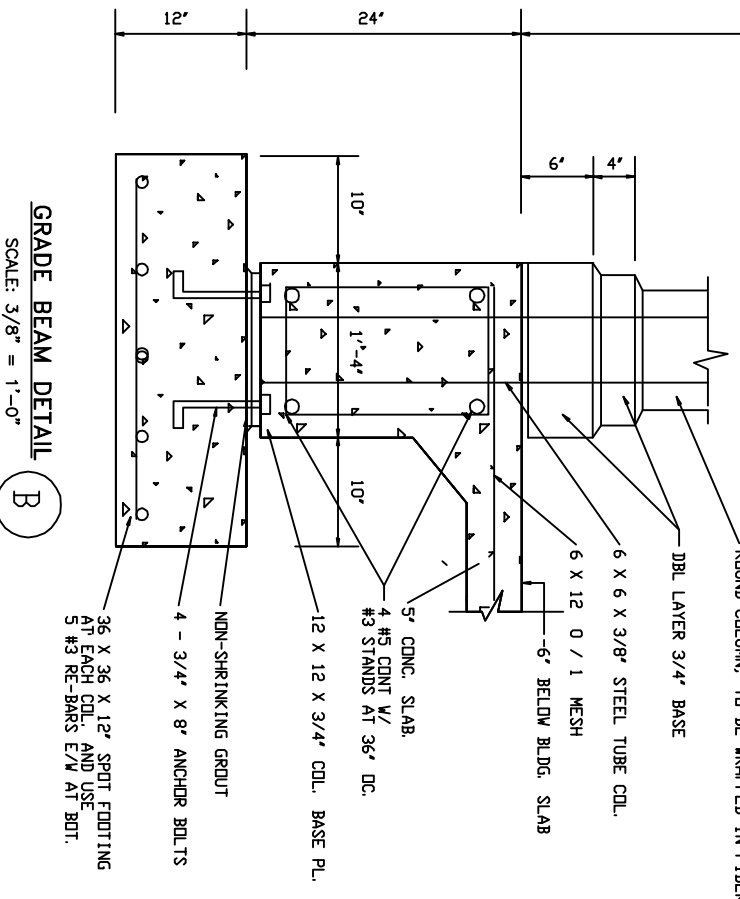
BEAM SECTION
SCALE: 3/8" = 1'-0"
C



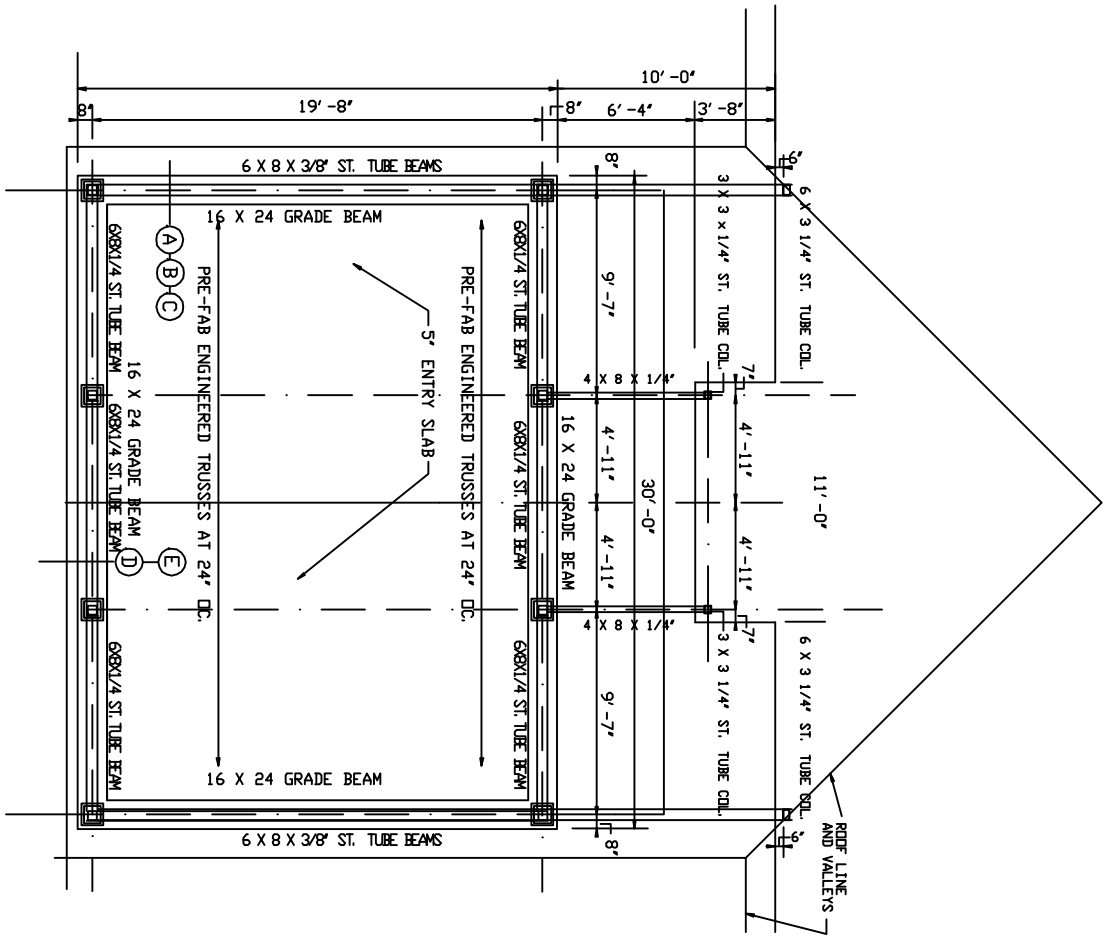
FASCIA DETAIL
SCALE: 3/8" = 1'-0"
D



BEAM DETAIL
SCALE: 3/8" = 1'-0"
E



GRADE BEAM DETAIL
SCALE: 3/8" = 1'-0"
B



ENTRY PLAN AND SLAB
SCALE: 1/4" = 1'-0"