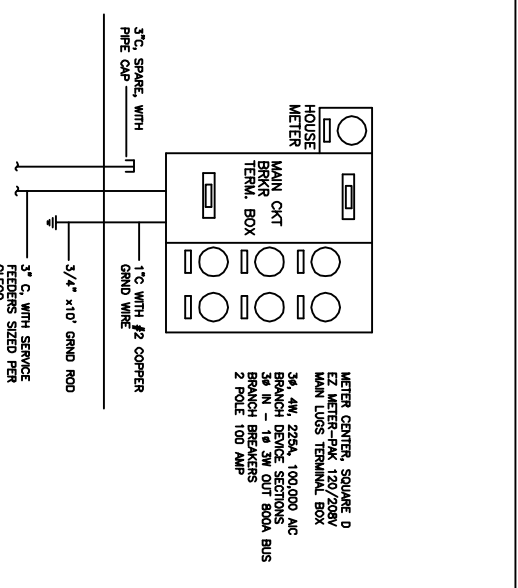
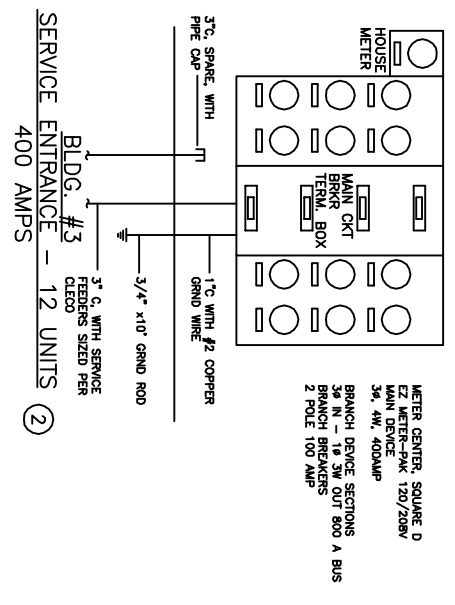


BLDG. #1
HOUSE POWER
①

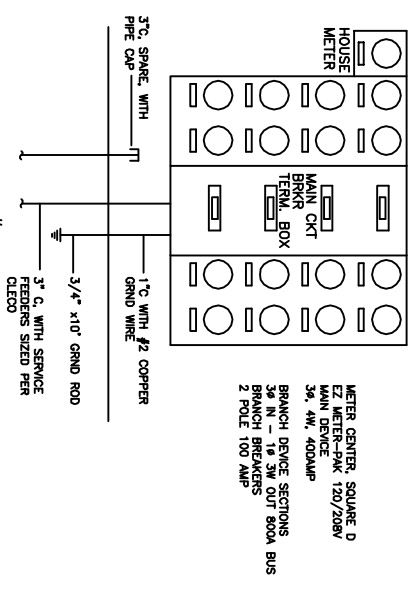


BLDG. #5
SERVICE ENTRANCE - 6 UNITS
⑤

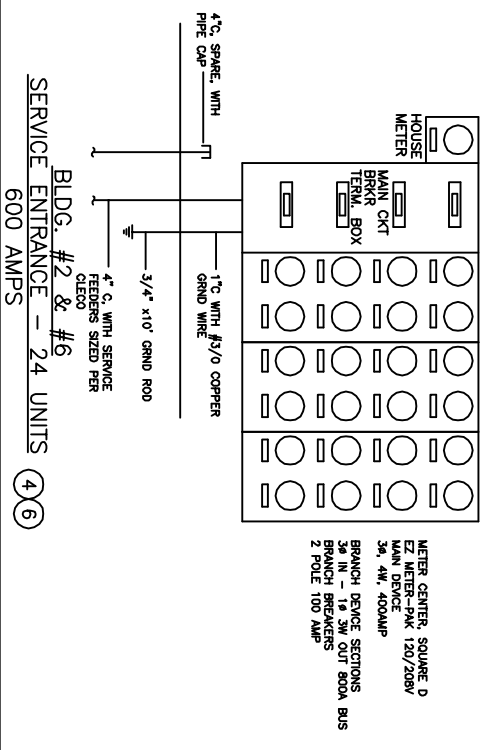
ACCEPTABLE ALTERNATES:
1. GENERAL ELECTRIC
2. SEWANS



BLDG. #3
SERVICE ENTRANCE - 12 UNITS
②



BLDG. #4
SERVICE ENTRANCE - 16 UNITS
③



BLDG. #2 & #6
SERVICE ENTRANCE - 24 UNITS
④ ⑥

FIGURE SCHEDULE

MARK	TYPE	MANUFACTURER	QTY NO.	LAMPS
11	LARGE OUTDOOR COACH LIGHT BLACK FINISH	HAMPTON BAY	277-237	(1) 100W INCANDESCENT
12	SMALL OUTDOOR COACH LIGHT W/HOT/TOBELL BLACK FINISH	HAMPTON BAY	240-336	(1) 75W INCANDESCENT
13	DISK TO DAMN FLOODLIGHT W/ PHOTOCELL	MASON	C563	(2) 150W FLOODLIGHT
14	RECESSED INCANDESCENT SUITABLE FOR DAMP LOCATION	LITHONIA	R7AC TRW	(1) 150W FLOODLIGHT
15	FUSHMOUNT INCANDES	QUOZEL	A414ZMW	(1) 75W INCANDESCENT
16	AROE MIRROR LIGHT 4 LAMP CHROME FINISH	HAMPTON BAY	644-257	(4) INCANDESCENT DECORATIVE
17	AROE MIRROR LIGHT 6 LAMP CHROME FINISH	HAMPTON BAY	644-291	(6) INCANDESCENT DECORATIVE
18	SMALL INCANDESCENT 9 1/2" MUSHROOM	HAMPTON BAY	365-706	(2) 40W INCANDESCENT
19	INCANDESCENT 13.25" DOME	HAMPTON BAY	240-336	(2) 75W INCANDESCENT
110	TRACK LIGHTING WHITE FINISH (2) FIXTURES	LITHONIA	TRACK T10 WH FIXTURE T040WH	75W FLOOD LIGHT
111	2 BULB TYPE HEAT VENTILATOR	BROWN	164	(1) 250 P40 INCREASED (1) 100W REFLECTOR
112	DINING ROOM CHANDELER BRASS FINISH	HAMPTON BAY	828-78	(9) INCANDESCENT
113	52" 5-BLADE POLISHED BRASS VICTORIAN STYLE	HAMPTON BAY	ST CLARE 415-789	(4) 40W INCANDESCENT DECORATIVE
114	52" 5-BLADE WHITE FINISH	HAMPTON BAY	CAMERON II FLUS	(4) 40W INCANDESCENT
115	52" 5-BLADE WHITE FINISH	HAMPTON BAY	HUNTINGTON II	(3) 40W INCANDESCENT
116	52" OUTDOOR FIN. BLACK FINISH W/SCHOOL HOUSE LIGHT KIT	HAMPTON BAY	GAZBERO	(1) 100W INCANDESCENT
117	COST ALUMINUM BULLET LAMPHOUSERS TO BE USED AS FOOTLIGHT ON STAGE	HUBBELL	369M	(1) 75W FLOOD
118	BATHROOM LIGHT VENTILATOR	BROWN	679	(1) 60W INCANDESCENT
119	WALL SCONCE PER OWNER	-	-	-
F1	FLUORESCENT 2x4 SURFACE MOUNT 18 CELL PARABOLIC REFLECTOR	LITHONIA	2P94X23218LS12C 2EB	(2) 32 WATT T-8
F2	FLUORESCENT 1x4 LONG, LOW PROFILE WRAP AROUND	LITHONIA	LB232120GEB	(2) 32 WATT T-8
F3	NOT USED			
F4	NOT USED			
F5	FLUORESCENT 2x4 SURFACE MOUNT	LITHONIA	11274-32	(2) 32 WATT T-8
F6	FLUORESCENT 2x4 SURFACE MOUNT	LITHONIA	11276-32	(4) 32 WATT T-8
F7	FLUORESCENT 2 LAMP STAGGERED, STRIP FIXTURE FOR COVE LIGHTING	LITHONIA	SS232120GEB	(2) 32 WATT T-8
F8	FLUORESCENT 2x4 SURFACE MOUNT	LITHONIA	DM 232-120	(2) 32 WATT T-8
F9	FLUORESCENT 2x4 SURFACE MOUNT	LITHONIA	DM 232-120-CW	(2) 32 WATT T-8
E1	EMERGENCY LIGHTING UNIT	LITHONIA	ELI2	-
E2	EXIT LIGHT, SINGLE FACE FACE WHITE WITH RED BUDS AND TYPE	LITHONIA	LONGSWAN 120/277ELN	LED

GENERAL NOTES:

- ALL WORK SHALL CONFORM TO THE LATEST EDITION OF THE NATIONAL ELECTRICAL CODE, THE LOCAL GOVERNING ELECTRICAL CODE, AND ALL OTHER INSPECTION DEPARTMENTS HAVING JURISDICTION. OBTAIN CERTIFICATES OR APPROVAL WHERE REQUIRED.
- ALL MATERIALS FURNISHED SHALL BE NEW AND SHALL BE U.L. LISTED.
- THE DRAWINGS INDICATE SIZE AND GENERAL LOCATION OF WORK. CIRCUITRY IS SHOWN DIAGRAMMATICALLY, & ACTUAL LOCATIONS OF JUNCTION BOXES, CONDUIT RUNS, ETC. SHALL BE DETERMINED IN FIELD. LOCATION AND ELEVATION OF ALL LIGHTING FIXTURES, RECEPTACLES AND TELEPHONE OUTLETS, ETC. SHALL BE DETERMINED BY ACTUAL CONDITIONS IN THE FIELD, UNLESS NOTED OTHERWISE.
- PROB TO BEING, CONTRACTOR SHALL VISIT THE JOB SITE AND FAMILIARIZE HIMSELF WITH THE EXISTING CONDITIONS.
- ELECTRICAL CONTRACTOR SHALL COORDINATE HIS WORK WITH OTHER TRADES AND ELECTRICAL CONTRACTOR SHALL COORDINATE WITH THE INSTALLATION OF MECHANICAL AND PLUMBING WORK AND INCLUDE IN HIS BID ALL CHARGES AND FEES INCURRED IN MODIFICATIONS.
- WHERE MORE THAN ONE SWITCH OCCURS IN THE SAME LOCATION, THEY SHALL BE INSTALLED IN A GANG TYPE BOX UNDER ONE COVER PLATE.
- ELECTRICAL CONTRACTOR SHALL COORDINATE THE TELEPHONE INSTALLATION WITH THE TELEPHONE COMPANY AND THE GENERAL CONTRACTOR.
- ELECTRICAL CONTRACTOR BEFORE INSTALLING ANY OF THE WORK, SHALL SEE THAT IT DOES NOT INTERFERE WITH CLEARANCES REQUIRED FOR FINISHED CEILING, HUNG CEILINGS, PLASTER, PARTITIONS, WALLS, ETC. AS SHOWN IN THE ARCHITECTURAL DRAWINGS AND DETAILS. IF ANY WORK IS INSTALLED AND IT LATER DEVELOPS THAT SUCH DETAILS OR DESIGN CANNOT BE FOLLOWED, THE CONTRACTOR, AT HIS OWN EXPENSE, SHALL MAKE NECESSARY ADJUSTMENTS IN THE WORK AS DIRECTED BY THE ARCHITECT. THESE SHALL BE REPAIR AND SUBSTITUTION OF THE ARCHITECTURAL WORK AS SHOWN ON THE PLANS AND DETAILS.
- PERFORM TEST REQUIRED BY THE OWNER OR THE ENGINEER IN CONNECTION WITH THE OPERATION OF THE ELECTRICAL SYSTEM IN THE BUILDING.
- ALL TESTS SHALL BE MADE IN ACCORDANCE WITH THE LATEST STANDARD OF THE IEEE AND THE NATIONAL ELECTRICAL CODE.
- MINIMUM CONDUCTOR SIZE SHALL BE #12 600V INSULATION, TYPE NMC CABLE MAY BE USED WHERE APPROVED BY LOCAL AUTHORITY.
- CONTRACTOR SHALL INSTALL WIRING AND OTHER CIRCUIT COMPONENTS TO MATCH EQUIPMENT ACTUALLY INSTALLED.
- INSTALL GROUND FAULT RECEPTACLES AT LOCATIONS WITHIN 5' OF SINKS OF LAVATORIES AND EXTENDER LOCATIONS. EXTENDER RECEPTACLES SHALL BE WEATHER PROOF.
- BONDING AND GROUNDING SHALL BE IN ACCORDANCE WITH NFPA 70:230-63, NFPA 250-23, 250-71, & 250-72.
- GROUND NEUTRAL IN ACCORDANCE WITH NFPA 70:250-23b.
- FILL OUT ALL PANELBOARD DIRECTORIES TO REFLECT NEW WORK.
- ELECTRICAL CONTRACTOR TO INSTALL RECEPTACLE & INCANDESCENT LIGHT AT EACH HVAC UNIT IN ATTIC. THE INTO NEAREST LIGHTING CIRCUIT. (TYPICAL)
- FUSES SHALL BE IT CLASS K5, 250 VOLT, 200,000 AMP INTERRUPTING CAP.
- PROVIDE THE SERVICES OF A STATE APPROVED CONTRACTOR TO DESIGN & INSTALL A FIRE ALARM SYSTEM IN ACCORDANCE WITH EXISTING CODES, FOR A SHRINKLED OCCUPANCY.



FIRE CAULK ELECTRICAL BOXES IN RATED WALLS THAT ARE OVER 24" APART. USE FIRESTOP PUTTY PAD.

TYP. FIRE CAULKING APPLICATION

SCALE: N.T.S.

REVISED 01/03/01

MARK DEVELOPMENT, LLC.
CAMELLIA GARDENS
POSSUM HOLLOW ROAD
SLIDELL, LA

"CAMELLIA GARDENS"
DAMMON ENGINEERING, INC.
ARCHITECTS - ENGINEERS
819 ROBERT ROAD
SLIDELL LA 70458

SCALE: N.T.S.
FILE: -
JOB No.: -
DATE: 07/28/00

SHEET
E-11
OF -