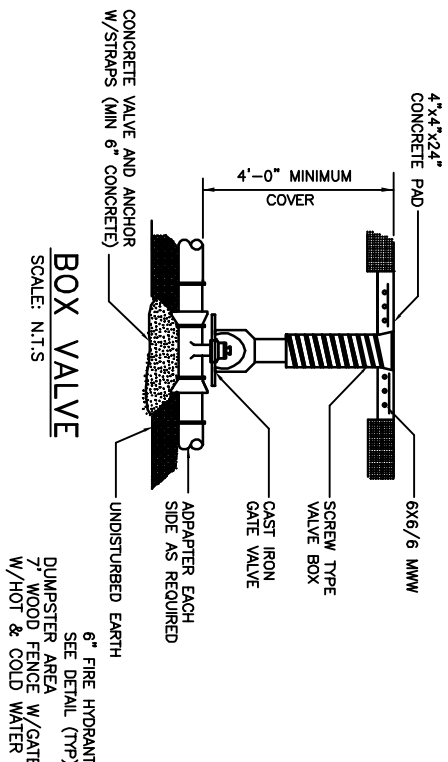
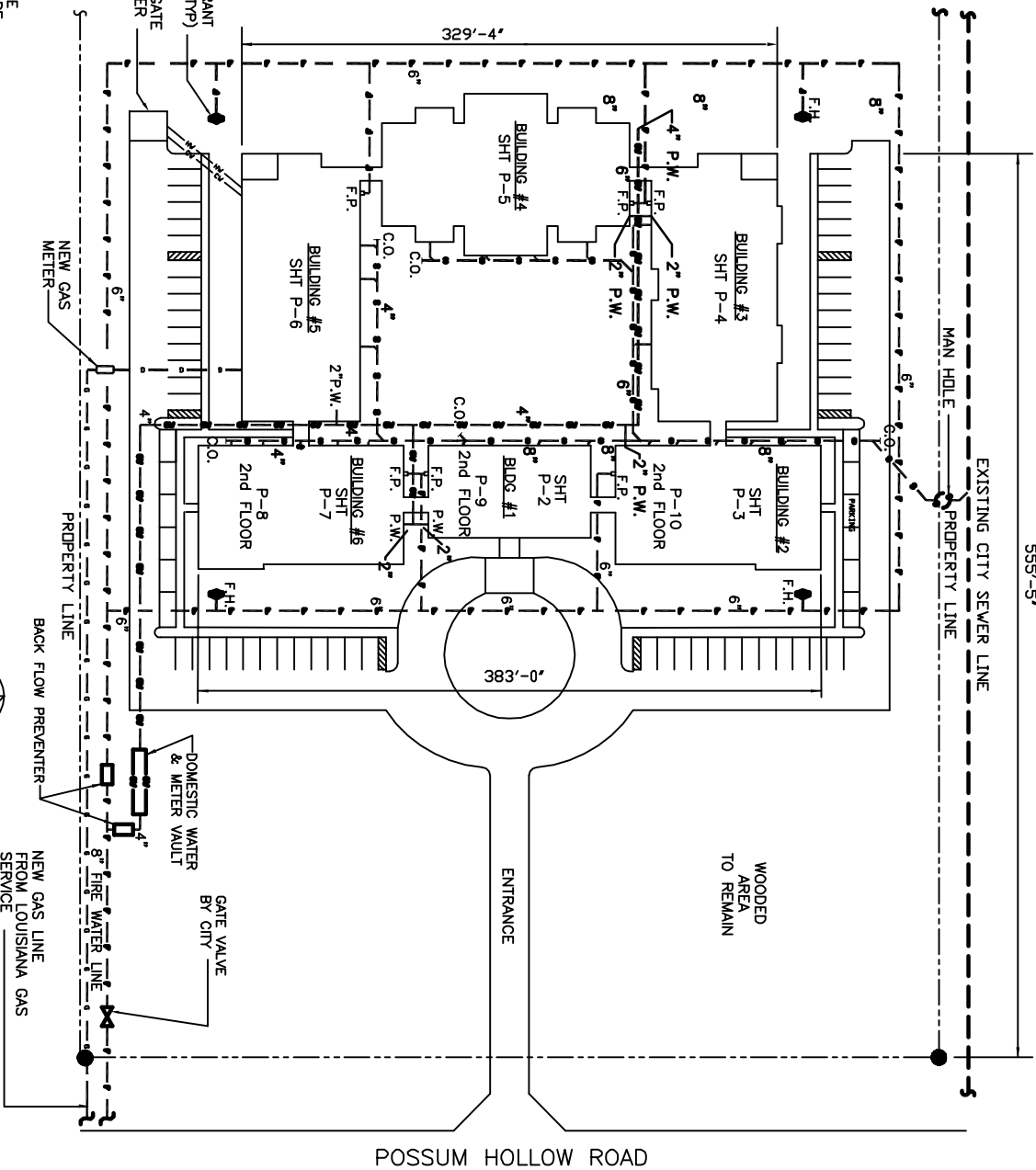


WATER MAIN BEDDING SECTION
SCALE: N.T.S.

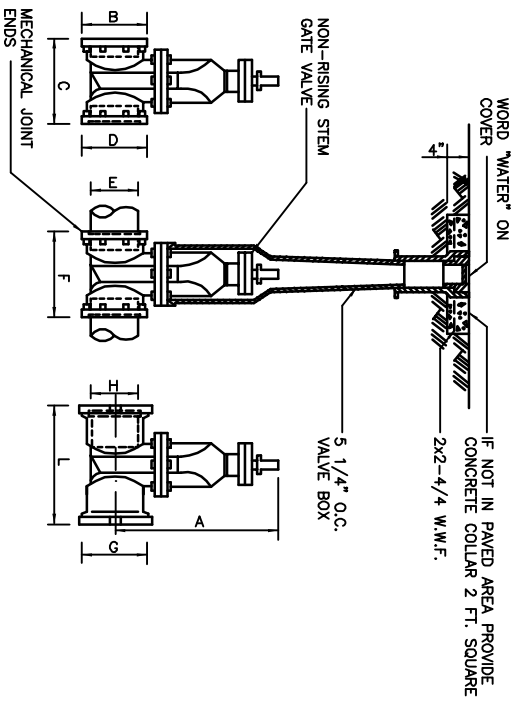


BOX VALVE
SCALE: N.T.S.

8" FIRE HYDRANT SEE DETAIL (TYP)
DUMPSTER AREA W/GATE W/HOT & COLD WATER



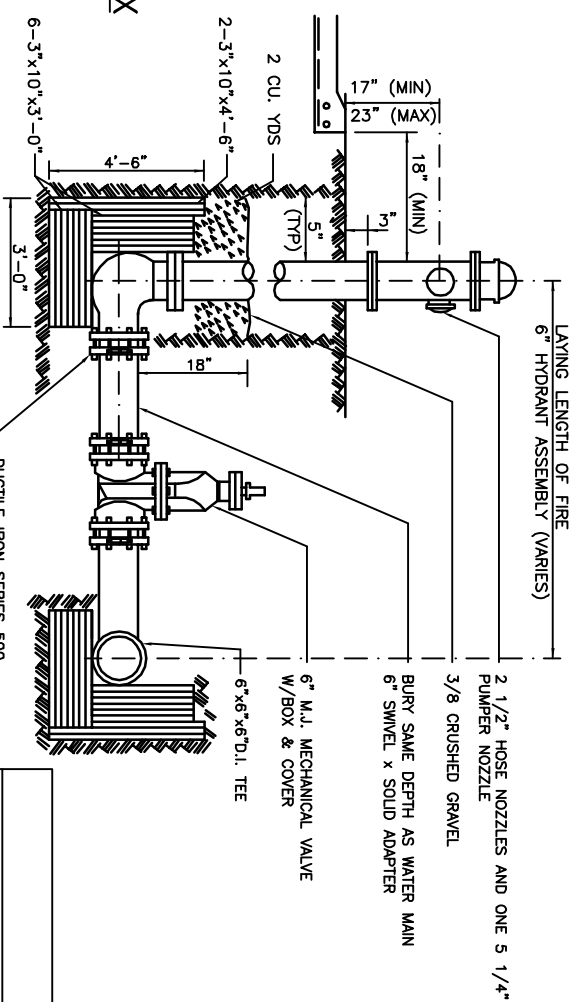
SITE SERVICE PLAN
SCALE: 1" = 50'-0"



MECHANICAL JOINT GATE VALVE & VALVE BOX
SCALE: N.T.S.

MULLER A.W.W.A. GATE VALVES

SIZE IN.	DIMENSIONS (inches)								TURNS TO OPEN	
	A	B	C	D	E	F	G	H		L
6	2.0	1.0	10.5	9.5	7.0	11.5	9.25	7.0	12.0	20
8	2.3	1.3	11.5	11.75	9.1	11.5	11.62	9.2	13.5	26
12	3.1	1.9	14.0	14.0	12.0	13.4	14.0	16.75	14.0	38



6" FIRE HYDRANT DETAIL
SCALE: N.T.S.

NOTE: ALL TIMBER BLOCKING SHALL BE TREATED AS PER A.W.P.A. SPECS. TIMBER BLOCKING AT ALL CHANGES IN DIRECTION GREATER THAN 22 1/2°.

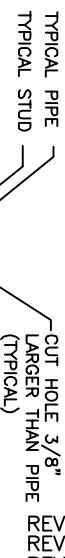
LEGEND

SYMBOL	DESCRIPTION
—●—●—●—●—	SANITARY SEWER
—●—●—●—●—	PLUMBING VENT
—●—●—●—●—	COLD WATER
—●—●—●—●—	HOT WATER
—●—●—●—●—	EXISTING CITY SEWER
—●—●—●—●—	FUR DOWN
—●—●—●—●—	FIRE PROTECTION
—●—●—●—●—	FIRE DAMPER

- PLUMBING NOTES:**
- WASTE AND VENT PIPING TO BE SCHEDULE 40 PVC.
 - WATER PIPING TO BE TYPE L COPPER.
 - ALL WORK AND MATERIAL SHALL CONFORM STRICTLY TO THE LATEST, LOCAL CITY, PARISH, STATE AND NATIONAL GOVERNING CODES.
 - ALL PLUMBING SHALL BE CLOSELY COORDINATED WITH STRUCTURAL, MECHANICAL SYSTEMS AND ELECTRICAL SYSTEMS TO INSURE PROPER COMPLIANCE WITH CODES AND INSURE THAT ALL TRADES WILL NOT CONFLICT WITH EACH OTHER.
 - ALL SANITARY SEWER PIPING RUN BELOW GROUND SHALL BE RUN AT 1/2 PER FOOT UNLESS OTHERWISE NOTED.
 - DO NOT SCALE DRAWINGS. SEE ARCHITECTURAL DRAWINGS FOR EXACT LOCATIONS OF DOORS, WINDOWS, WALLS, FIXTURES, ETC.
 - ALL SEWER PIPING SHOWN IS BELOW GROUND, UNLESS OTHERWISE NOTED.
 - ALL WATER PIPING SHOWN FOR CLARITY, ALL LOCATIONS FIELD VERIFIED.
 - ALL WATER MAINS AND FITTINGS ABOVE THE FLOOR SHALL BE INSULATED WITH 1/2 THICK FIBERGLASS INSULATION. MAINS ONLY, PIPING INSIDE UNITS SHALL NOT BE INSULATED.
 - FIRE LOOP & BUILDING FEEDS SIZES TO BE VERIFIED BY SPRINKLER CONTRACTOR.
 - ALL WATERHEATER INSIDE UNITS LOCATED IN CLOSET ON SHELF PROVIDED BY G.C.

PLUMBING FIXTURE SCHEDULE

- P-1 WATER CLOSET
SAINT THOMAS 6201 020 WHITE CLOSET COMBINATION
CHURCH 585 WHITE SEAT
- P-2 LAVATORY
BOWL BY OTHERS
DELTA 501-WF SINGLE LEVER FAUCET
MC GUIRE 155A GRID DRAIN
1 1/2 PVC MASTER TRAPS
S. S. FLEX CONNECTOR W/STOPS
- P-3 TUB
AQUARIUS 66089T/5 WHITE FIBERGLASS TUB & SHOWER UNIT
DELTA 1343-CWS TUB & SHOWER VALVE
1 1/2 PVC SCH 40 LIFT RETURN WASTE & OVERFLOW
- P-4 SINK
ELVAY SK92522, STAINLESS STEEL SINK
DELTA 100 FAUCET
STAINLESS STEEL BASKET STRAINER
2 PVC-DWV P-TRAP
S. S. FLEX CONNECTORS W/STOPS
- P-5 WASHER CONNECTION
GATEY WASHER BOX W/VALVES
- P-6 ICE MAKER CONNECTION
GATEY ICE MAKER BOX W/VALVES
- P-7 WATER HEATER
RUPD PES-400, 240 VOLT, 4500/4500 WATTS, 1 PHASE
3/4 RELIEF VALVE
24 X 24 PAN
- HC-1 HANDICAP WATER CLOSET
SAINT THOMAS 6201.030 WHITE CLOSET COMBINATION
CHURCH 295C WHITE SEATS
- HC-2 HANDICAP LAVATORY
SAME AS P-2
- HC-3 HANDICAP SHOWER
AQUARIUS S4138F-MOD, FIBERGLASS SHOWER W/ 3/4 THRESHOLD
DELTA 1323-CWS SHOWER VALVE
ALSONS 15511 HAND HELD SHOWER W/GLIDE RAIL
ALSONS 4990F SUPPLY ELBOW



TYP. FIRE CAULKING APPLICATION
SCALE: N.T.S.

MARK DEVELOPMENT, LLC.

CAMELLIA GARDENS
POSSUM HOLLOW ROAD
SLIDELL, LA

"CAMELLIA GARDENS"
DAMMON ENGINEERING, INC.
ARCHITECTS - ENGINEERS
819 ROBERT ROAD SLIDELL, LA 70458

SCALE: AS NOTED

FILE: --

JOB No.: --

DATE: 07/28/00

SHEET

P-1

OF --