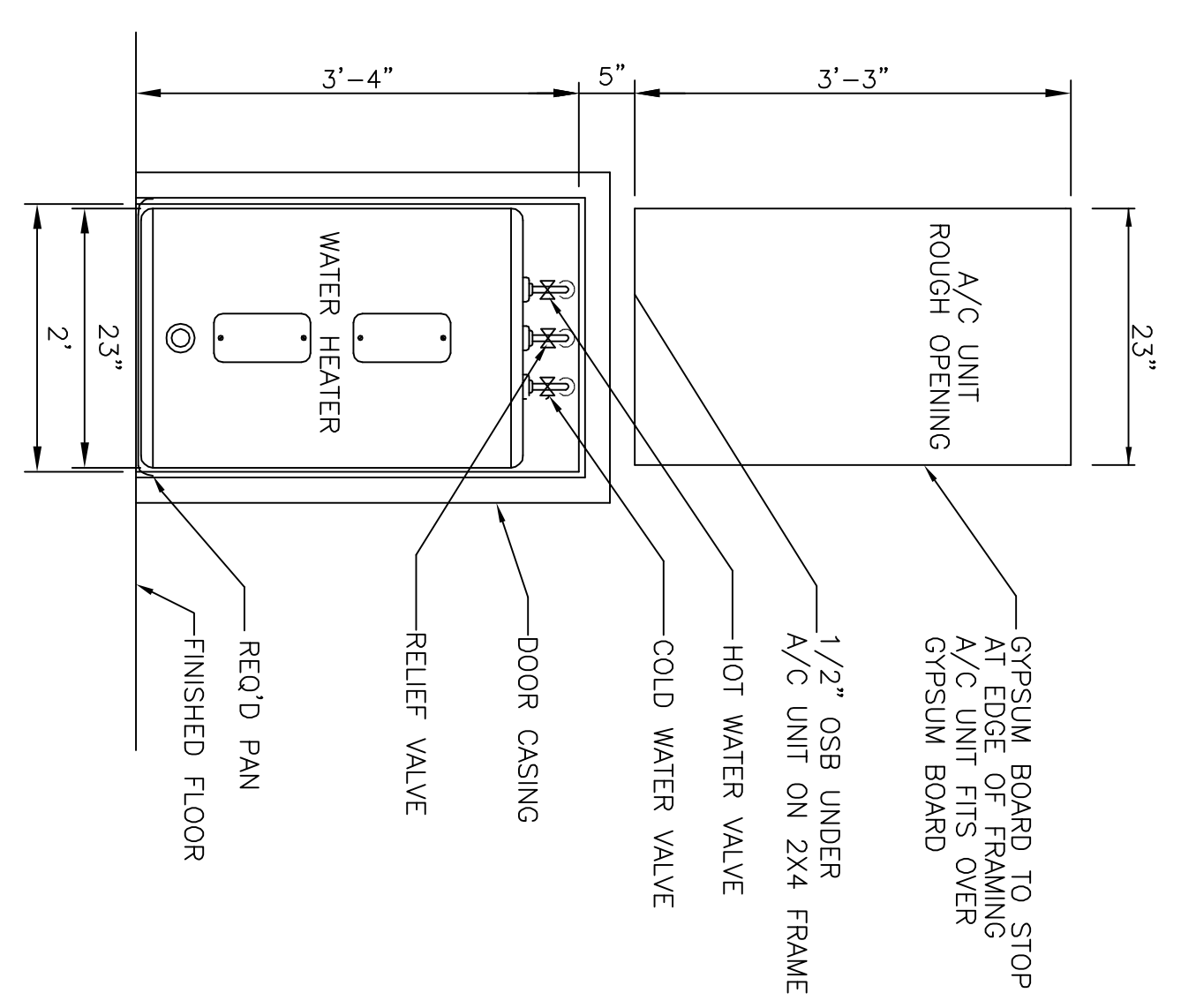


MECHANICAL PLAN TYPICAL LAYOUT  
SCALE: 1/4" = 1'-0"

A/C SCHEDULE			
MARK	INDOOR UNIT	OUTDOOR UNIT	
(A)	18,000 BTU, 600 CFM	HEAT (BTU), 240V, 18,000 240V, 18	

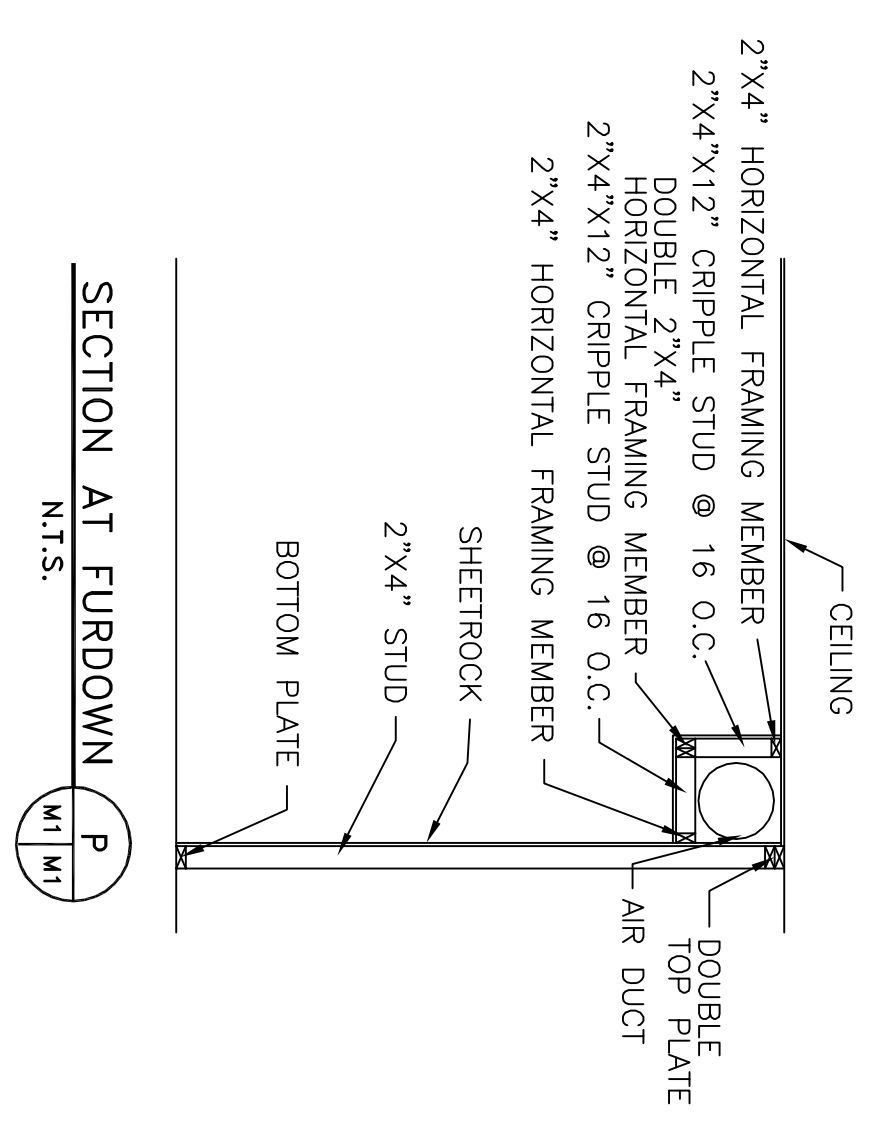
BATHROOM VENT FAN			
VENDOR	MODEL	DESCRIPTION	
BROAN	R-1	1-HR FIRE/RADIATION DAMPER	

HOT WATER HEATER/ A/C UNIT DETAIL  
SCALE: 1" = 1'-0"



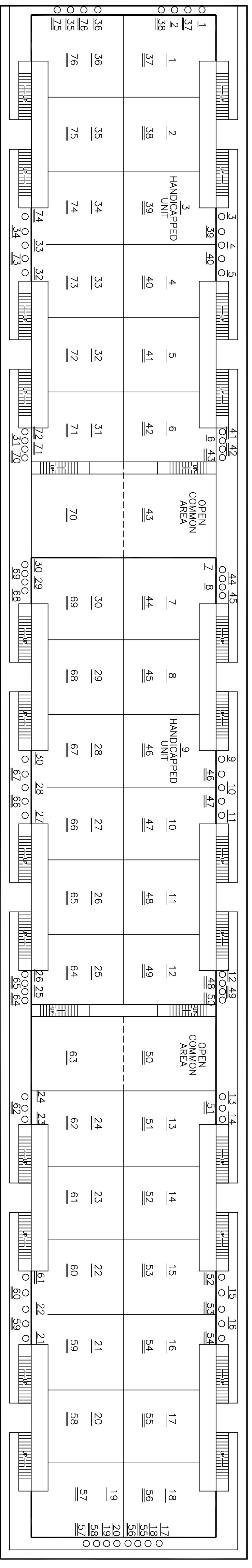
LEGEND

- ☒ - SUPPLY AIR VENT
- ☒ - FIRE DAMPER
- - BATHROOM EXHAUST
- - INDICATES FIRST FLOOR UNIT
- - INDICATES SECOND FLOOR UNIT



SECTION AT FURDOWN  
N.T.S.

HANDICAP UNIT-1ST FLOOR ONLY  
SCALE: 1/4" = 1'-0"



OUTSIDE A/C UNIT LAYOUT  
N.T.S.