

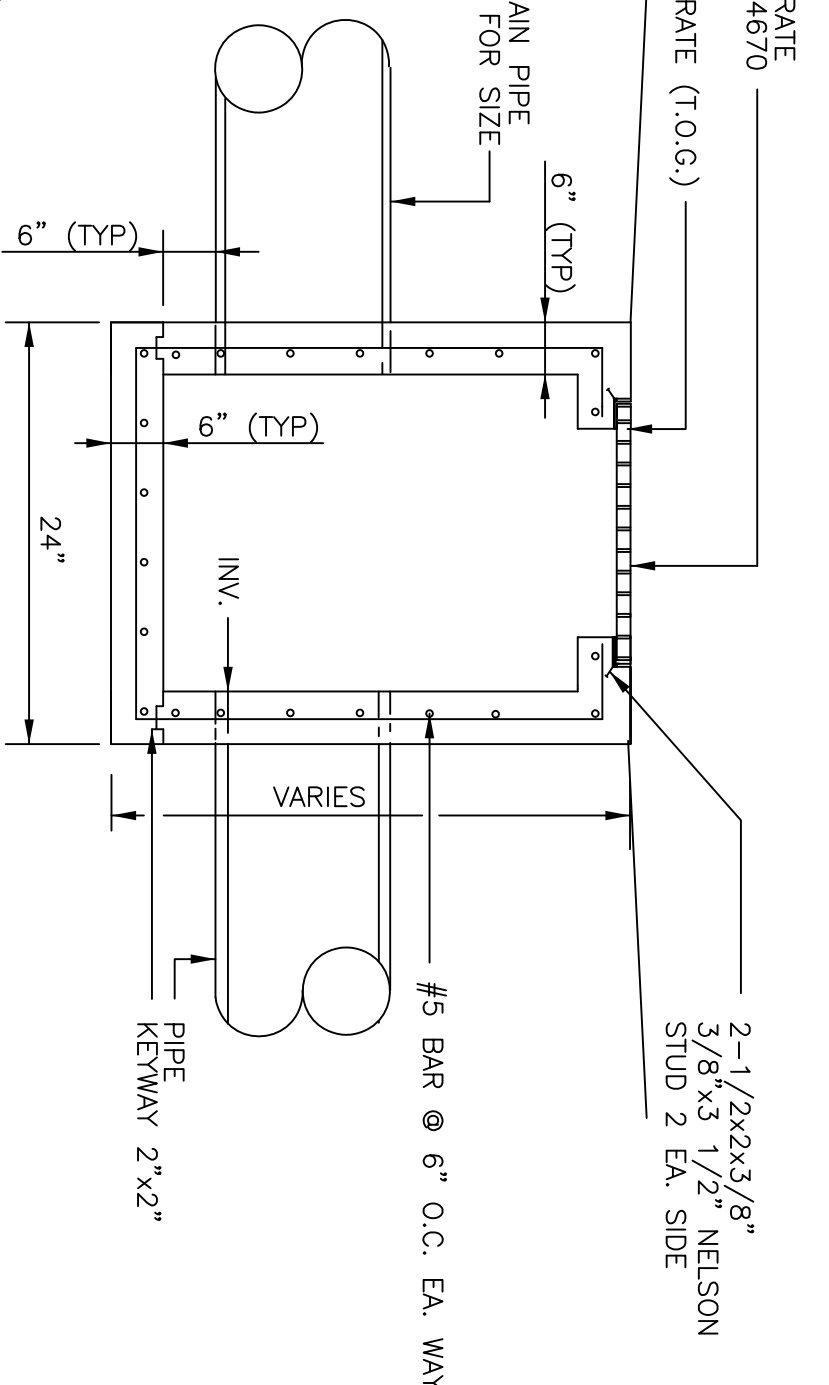
DRAINAGE & PAVING PLAN
SCALE: 1" = 30'-0"

OAK HARBOR DRIVE

675'

LEGEND

- DRAIN LINE
 - NEW DROP INLET
 - # TOP OF GRATE ELEVATION
 - [0.00'] INVERT ELEVATION
 - [0.00'] NEW ELEVATIONS
- NOTES:**
- 1) DRAIN PIPE & FITTINGS SHALL BE POLYVINYL CHLORIDE PLASTIC PIPE, MEETING CLASS 100 C-900 PVC. ELEVATIONS SHOWN ARE M.S.L.
 - 2) CONTRACTOR TO VERIFY ALL SITE CONDITIONS, BUILDING LOCATIONS PRIOR TO CONSTRUCTION & VERIFY ALL DIMENSIONS.
- DEFENTION NOTE:**
- NO DEFENTION REQUIRED FOR THIS SITE. ALL RUNOFF WATER WILL DRAIN DIRECTLY INTO LAKE PONTCHARTRAIN.

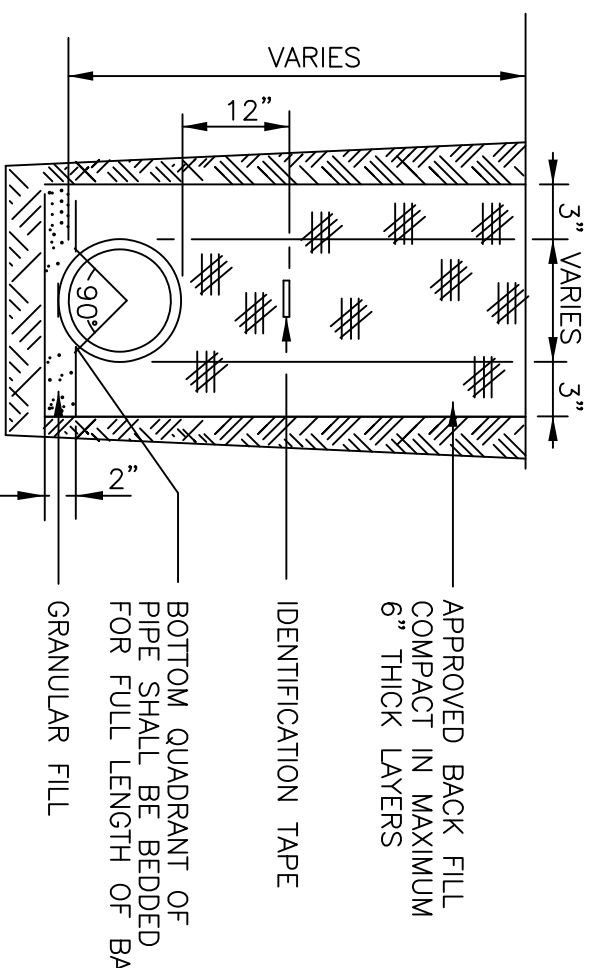


TYPICAL DROP INLET
N.T.S.

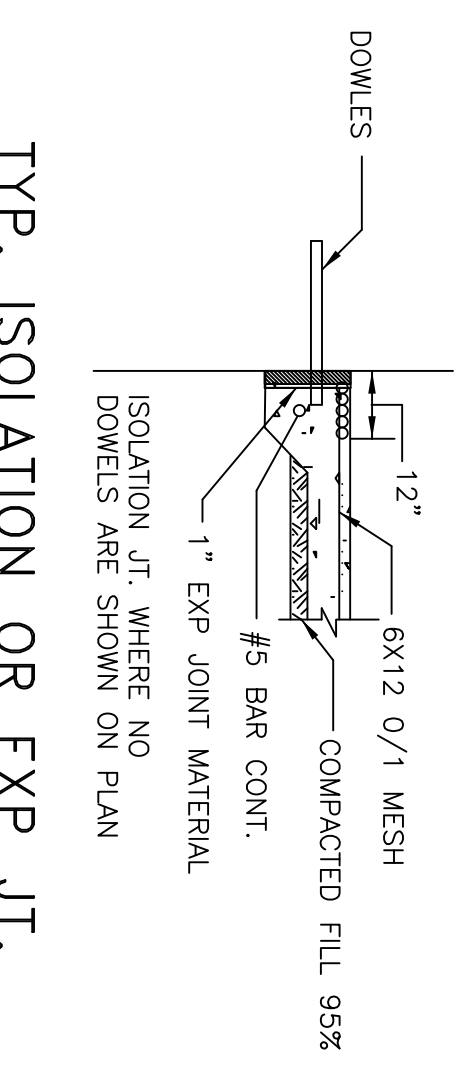
MOUNTABLE CURB DETAIL
N.T.S.

TRANSITION CURB
N.T.S.

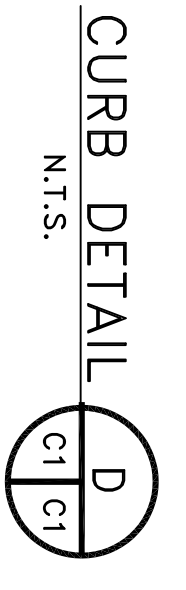
DRIVEWAY SECTION
N.T.S.



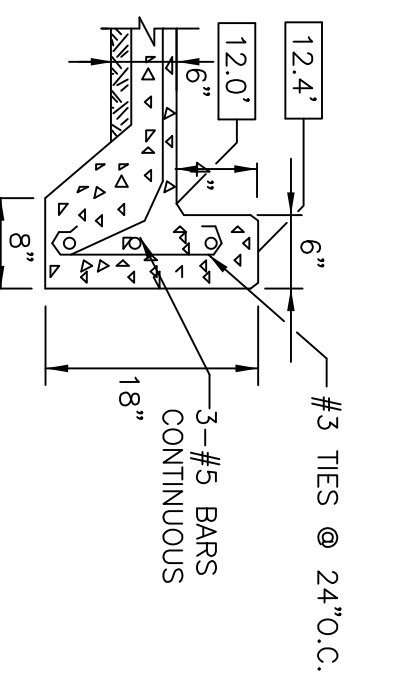
DRAIN PIPE BEDDING
N.T.S.



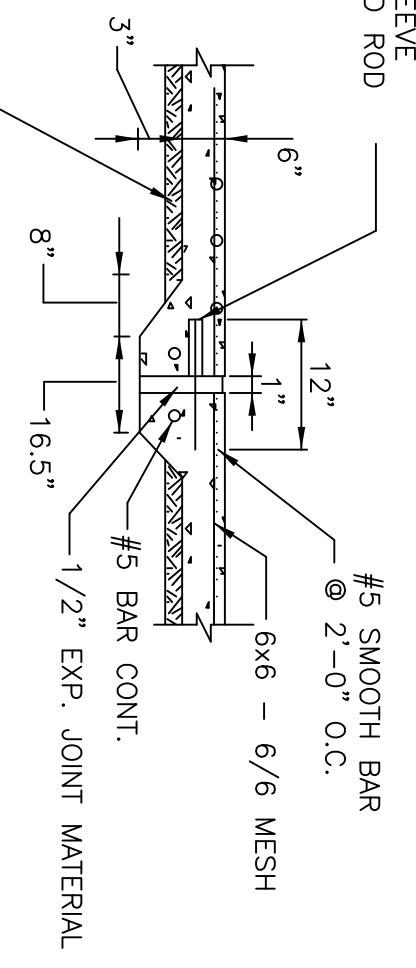
TYP. ISOLATION OR EXP. JT.
N.T.S.



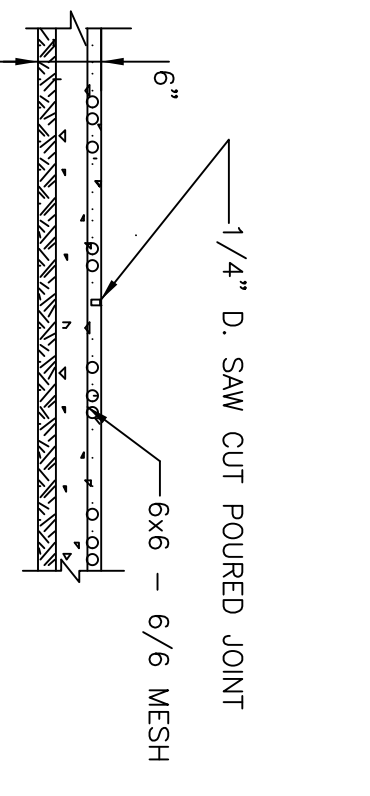
CURB DETAIL
N.T.S.



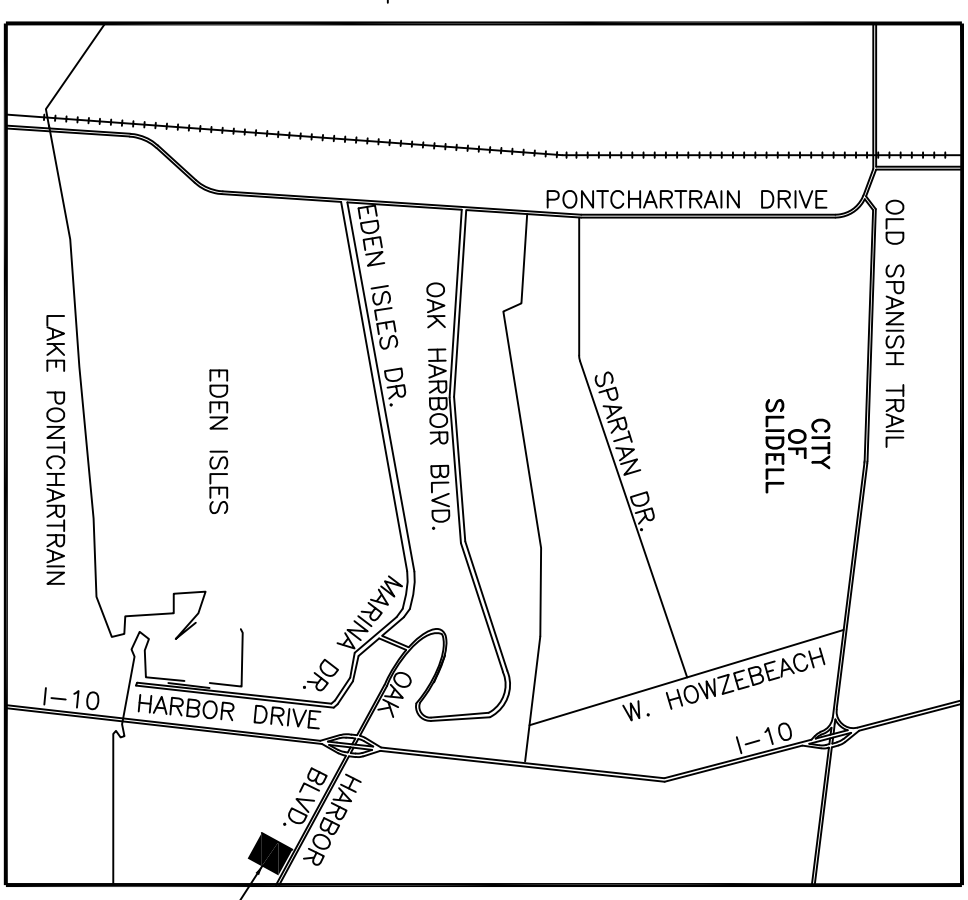
EXPANSION JOINT
N.T.S.



CONSTRUCTION JOINT
N.T.S.



CONTRACTION JOINT
N.T.S.



VICINITY MAP
N.T.S.

HARBORSIDE APARTMENTS

DAMMON ENGINEERING, INC.
ARCHITECTS - ENGINEERS

2000 OLD SPANISH TRAIL STE 100 985-649-5832 SLIDELL, LA. 70458
DAMMONENGINEERING.COM

DRAINAGE & PAVING PLAN

RONNIE NATAL
OAK HARBOR DRIVE
SLIDELL, LOUISIANA

SHEET

DATE: 08-15-03

JOB NO.

FILE:

SCALE: AS NOTED

OF