

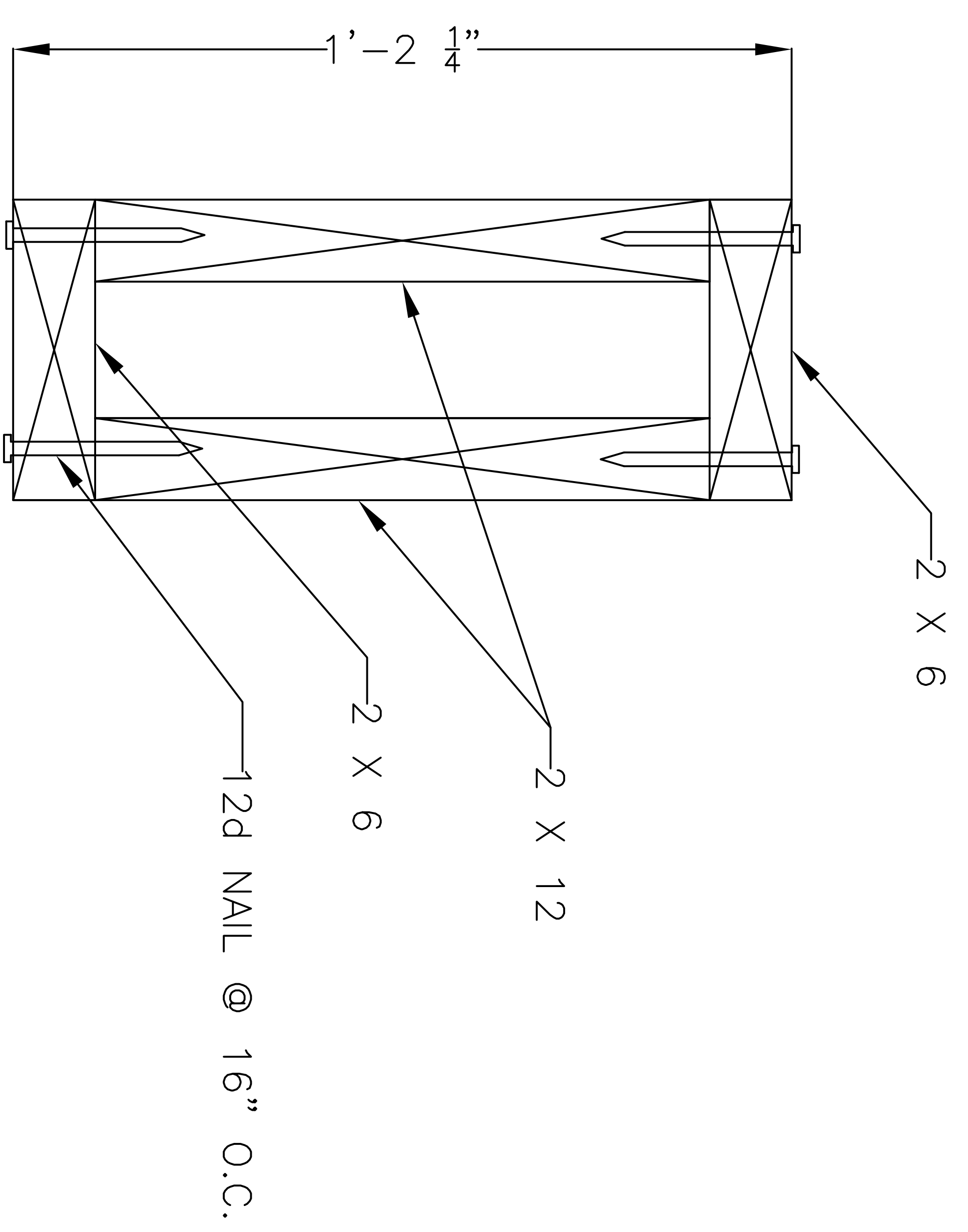
# BEAM SCHEDULE

MARK	BEAM
B-1	* 2-2X10 W/ 1/2" SEPARATION
B-2	* 2-2X12 W/ 1/2" SEPARATION
B-3	LAMINATED BEAM (3 1/2" X 8 1/4")
B-4 ALTERNATE	2-2x12 NAILED @ 16" O.C. STAGGERED LAMINATED BEAM (3 1/2" X 8 1/4")
B-5	LAMINATED BEAM (3 1/2" X 12 3/8")
B-6	BUILT UP BEAM

\* ALL HEADERS SHALL HAVE 1/2" SOLID PLYWOOD BETWEEN

**NOTES:**

1. BEAM SIZES ARE BASED ON CATALOG INFORMATION FROM "ANTHONY POWER BEAMS" LSL, 2400 Fb - 1.8E.
2. SEE ARCHITECTURAL DRAWINGS FOR ALL DIMENSIONS.



**B-6 BEAM**

SCALE: 3" = 1'-0"