

Type:
 Job:

Page 2 of 6

STANDARD FEATURES

AL3 (Spectra III, 18" Housing)

SPECTRA SERIES

ARM MOUNT

Shown with
 Flat Glass Lens

SERIES (1, 2)

Metal Halide

- AL3M-1000⁽³⁾
- AL3M-400
- AL3M-250
- AL3M-175

Pulse Start Metal Halide

- AL3P-1000⁽³⁾
- AL3P-450^(3,4)
- AL3P-400
- AL3P-350
- AL3P-250
- AL3P-175
- AL3P-150*

High Pressure Sodium

- AL3S-400
- AL3S-250
- AL3S-150

* Note: 150 Watt Pulse Start also available in compact AL2 luminaire.

(1) M = Metal Halide; P = Pulse Start Metal Halide; S = High Pressure Sodium. (3) 2H Reflector not available.
 (2) 70-400W allows 10" deep housing; 450-1000W requires 12" deep housing. (4) Not available in Horizontal Burn Lamps at time of printing.

DISTRIBUTION

VERTICAL Lamp Optics

Full Cutoff, Flat Glass Lens

Available for Metal Halide and Pulse Start Metal Halide only. Limited to 400W and below.

- 2F = Type II
- 3F = Type III
- 4F = Forward Throw
- 5F = Type V Square

Cutoff / Semi-Cutoff, Sag Glass Lens

Lower wattage (175-400W) achieve Cutoff distribution. Higher wattage (450-1000W) achieve Semi-Cutoff distribution.

- 2V = Type II
- 3V = Type III
- 4V = Forward Throw
- 5V = Type V Square

POST TOP YOKE MOUNT

Shown with
 Sag Glass Lens

HORIZONTAL Lamp Optics

Full Cutoff, Flat Glass Lens

- 2H = Type II
- 3H = Type III
- 4H = Forward Throw
- 5H = Type V Square

DISTRIBUTION PATTERNS



Type II



Forward Throw
 (Type IV Optics with Internal House Side Shield)



Type III



Type V Square

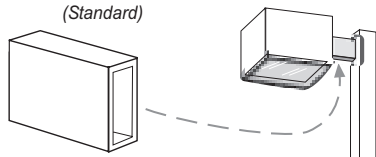
VOLTAGE

- 120
- 208
- 240
- 277
- 480
- QV⁽⁵⁾

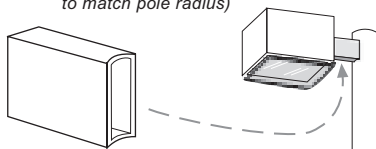
(5) Allows field selection of 120/208/240/277 voltage. (No 480V). Certain options may require voltage selection as well.

MOUNTING OPTIONS

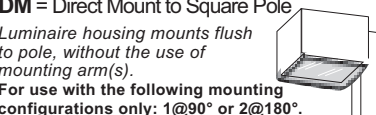
- SS** = Surface Arm Mount to Square Pole (Standard)



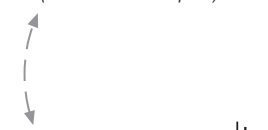
- SR(X)** = Surface Arm Mount to Round Pole⁽⁶⁾
 (Mounting edge of Arm is contoured to match pole radius)



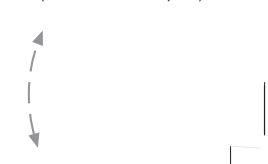
- DM** = Direct Mount to Square Pole
 Luminaire housing mounts flush to pole, without the use of mounting arm(s).
 For use with the following mounting configurations only: 1@90° or 2@180°.



- SA2** = Adjustable Arm Mount to Square Pole
 For use with the following mounting configurations only: 1@90° or 2@180°.
 (Includes transition plate)

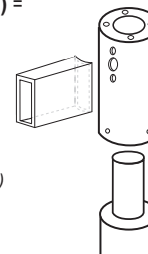


- MA2** = Adjustable Mastfitter Mount to 2-3/8" OD tenon
 (Includes transition plate)



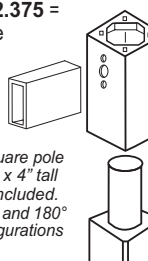
- RTA-(X)-(Y)** = Round Pole Tenon Adapter^(7,8)

(Slipfitter for Round pole, 9" arm included)



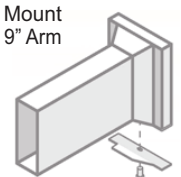
- SPTA-(X)-2.375** = Square Pole Tenon Adapter⁽⁷⁾

(Slipfitter for Square pole with 2.375" OD x 4" tall tenon. 9" arm included. Available in 90° and 180° Mounting Configurations only.)

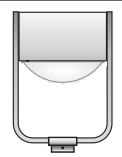


- WB** = Wall Mount Bracket

- WBA** = Wall Mount Bracket with 9" Arm



- PT(XY)** = Post Top Yoke Mount⁽⁹⁾



(6) X = Specify pole size: (3.5 / 4)" OD; (4 / 5)" OD.

(7) X = Specify configuration: 1 @ 90°; 2 @ 90°; 3 @ 90°; 4 @ 90°; 2 @ 180°; 2 @ 120°; 3 @ 120°.

(8) Y = Specify tenon size: 2.375" OD x 4" tall; 3 / 3.5" OD x 6" tall; 3.5 / 4" OD x 6" tall.

(9) XY = Specify pole size and type: 4S, 5S, 2.375R, 3R, or 4R.

Note: X and Y components of order sequence to be manually entered in part number on page 1 after Mounting Option is selected.



www.wide-lite.com
 CATALOG KEYWORD: AL3



Wide-Lite
 a GENLYTE company

P.O. Box 606 • San Marcos TX 78667-0606
 (512) 392-5821 • Fax (512) 753-1122

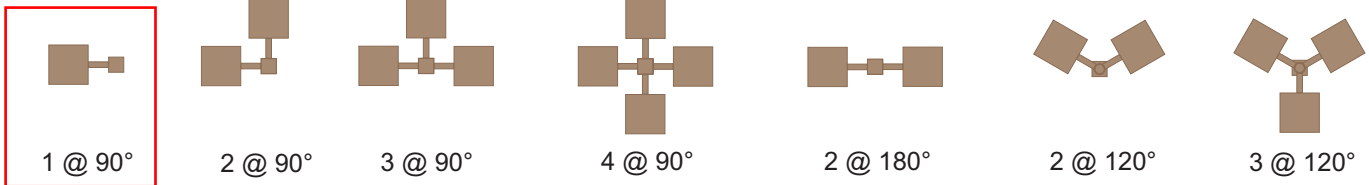
Specifications and dimensions are subject to change without notice.



Type:
Job:

Page 3 of 6

MOUNTING CONFIGURATIONS



Note: 2 @ 120° and 3 @ 120° mounting configurations require Round Poles or use of Round Pole Tenon Adapter. All other configurations may be used with Round or Square Poles.

DISTRIBUTION GUIDE & BALLAST DATA ⁽¹⁾

| Source Type ⁽²⁾ | Catalog Number | Lamp Envelope | Reflector Type ⁽⁵⁾ | Cutoff Level | .ies File Name ⁽³⁾ | Ballast Type ⁽⁴⁾ | ANSI Code | Line Current 120 / 208 / 240 / 277 / 480 | Line Watts |
|----------------------------|----------------|---------------|--|-----------------------------------|-------------------------------|-----------------------------|------------------|---|------------|
| MH | AL3M-1000 | BT / ED37 | 2V, 3V, 4V, 5V 3H, 4H, 5H | Semi Cutoff Full Cutoff | alm10(*).ies | CWA | M47 / H36 | 9.2 / 5.6 / 4.7 / 4.1 / 2.4 | 1080 |
| | AL3M-400 | BT / ED28 | 2V, 3V, 4V, 5V 2F, 3F, 4F, 5F, 2H, 3H, 4H, 5H | Cutoff Full Cutoff | alm40(*).ies | CWA | M59 / H33 | 4.4 / 2.5 / 2.2 / 1.9 / 1.1 | 462 |
| | AL3M-250 | BT / ED28 | 2V, 3V, 4V, 5V 2F, 3F, 4F, 5F, 2H, 3H, 4H, 5H | Cutoff Full Cutoff | alm25(*).ies | CWA | M58 / H37 | 2.8 / 1.6 / 1.4 / 1.2 / 0.8 | 297 |
| | AL3M-175 | BT / ED28 | 2V, 3V, 4V, 5V 2F, 3F, 4F, 5F, 2H, 3H, 4H, 5H | Cutoff Full Cutoff | alm17(*).ies | CWA | M57 / H39 / M107 | 1.8 / 1.1 / 0.9 / 0.8 / 0.5 | 213 |
| PS | AL3P-1000 | BT / ED37 | 2V, 3V, 4V, 5V 3H, 4H, 5H | Semi Cutoff Full Cutoff | alp10(*).ies | CWA | M141 | 9.0 / 5.2 / 4.5 / 3.9 / 2.4 | 1080 |
| | AL3P-450 | BT / ED37 | 2V, 3V, 4V, 5V | Semi Cutoff | alp45(*).ies | CWA | M144 | 4.4 / 2.6 / 2.2 / 1.9 / 1.1 | 514 |
| | AL3P-400 | BT / ED28 | 2V, 3V, 4V, 5V 2F, 3F, 4F, 5F, 2H, 3H, 4H, 5H | Cutoff Full Cutoff | alp40(*).ies | CWA | M135 / M155 | 4.0 / 2.2 / 1.9 / 1.8 / 1.0 | 456 |
| | AL3P-350 | BT / ED28 | 2V, 3V, 4V, 5V 2F, 3F, 4F, 5F, 2H, 3H, 4H, 5H | Cutoff Full Cutoff | alp35(*).ies | CWA | M131 | 3.7 / 2.1 / 1.8 / 1.6 / 0.9 | 400 |
| | AL3P-250 | BT / ED28 | 2V, 3V, 4V, 5V 2F, 3F, 4F, 5F, 2H, 3H, 4H, 5H | Cutoff Full Cutoff | alp25(*).ies | CWA | M138 / M153 | 2.8 / 1.5 / 1.3 / 1.2 / 0.6 | 298 |
| | AL3P-175 | BT / ED28 | 2V, 3V, 4V, 5V 2F, 3F, 4F, 5F, 2H, 3H, 4H, 5H | Cutoff Full Cutoff | alp17(*).ies | CWA | M137 / M152 | 2.0 / 1.1 / 0.9 / 0.8 / 0.5 | 220 |
| | AL3P-150 | BT / ED28 | 2V, 3V, 4V, 5V 2F, 3F, 4F, 5F, 2H, 3H, 4H, 5H | Cutoff Full Cutoff | alp15(*).ies | HX-HPF | M102 / M142 | 3.7 / 2.1 / 1.8 / 1.6 / 1.0 | 185 |
| HPS | AL3S-400 | E18 | 2V, 3V, 4V, 5V 2H, 3H, 4H, 5H | Cutoff Full Cutoff | als40(*).ies | CWA | S51 | 3.9 / 2.3 / 2.1 / 1.7 / 1.0 | 465 |
| | AL3S-250 | E18 | 2V, 3V, 4V, 5V 2H, 3H, 4H, 5H | Cutoff Full Cutoff | als25(*).ies | CWA | S50 | 2.7 / 1.5 / 1.3 / 1.2 / 0.7 | 310 |
| | AL3S-150 | E23½ | 2V, 3V, 4V, 5V 2F, 3F, 4F, 5F, 2H, 3H, 4H, 5H | Cutoff Full Cutoff | als15(*).ies | HX-HPF | S55 | 3.2 / 1.7 / 1.6 / 1.4 / 0.7 | 195 |

Notes: (1) The Spectra AL3 Series can accommodate a variety of other wattages and lamps. Please consult factory with specific requirements.

(2) MH = Metal Halide, PS = Pulse Start Metal Halide, HPS = High Pressure Sodium. Clear lamps are recommended for optimum uniformity.

(3) Replace (*) with Reflector Type:

2V, 3V, 4V, 5V
(Vertical Lamp / Sag Glass / Cutoff 400W and below, Semi-Cutoff 450-1000W)

2F, 3F, 4F, 5F
(Vertical Lamp / Flat Glass / Full Cutoff)

2H, 3H, 4H, 5H
(Horizontal Lamp / Flat Glass / Full Cutoff)

(4) CWA = Constant Wattage Autotransformer; HX-HPF = High Reactance High Power Factor.

(5) All Horizontal Lamp AL3 reflectors are equipped with POMB sockets and can accommodate Standard or High Output Lamps.



www.wide-lite.com
CATALOG KEYWORD: AL3



Wide-Lite
a GENLYTE company

P.O. Box 606 • San Marcos TX 78667-0606
(512) 392-5821 • Fax (512) 753-1122

Specifications and dimensions are subject to change without notice.



Type:
 Job:

Page 4 of 6

OPTIONS - (FACTORY INSTALLED)

- CSR** = Hot Quartz Restrike
- LQ** = Hot/Cold Quartz Restrike
- LQ1** = Separately Wired (120V) Quartz Restrike. (Requires 5-wire)

Note: LQ1 requires an Interlock (by others) to ensure HID and Quartz source are not operated at once.

Note: Combined Quartz wattage may not exceed HID lamp wattage.

Standard 150 watt (120V) double contact bayonet base socket.

CSR - Quartz restrike using a current sensing relay; extinguishes auxiliary lamp when main arc strikes.

LQ - Provides LiteMatic operation for fixtures with 120V or multi-tap ballasts.

LQ1 - Separately wired, externally controlled emergency lighting from a separate power source.

LiteMatic Operation

Normal Start: Main and Quartz lamps both energized.

Main Lamp Reaches Approximately 40% of Rated Output: Quartz lamp automatically extinguishes (combined lamp currents never exceed that of main lamp at 100% output).

When Arc Extinguished: Auxiliary quartz lamp automatically energized when power is restored.

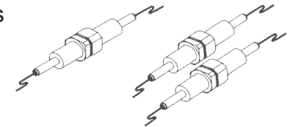
Main Lamp Reaches 40% of Rated Output: Quartz lamp automatically extinguishes

- F1** = Single Fuse (120/277V) 400W and below only
- F2** = Double Fuse (208/240/480V) 400W and below only

Note: If ordering QV ballast, voltage must be specified.

Standard unit consists of 1 or 2 KTK 30 amp fuses mounted internally on the ballast plate.

Not available for 450-1000W. See inline fusing Accessories F1-Kit and F2-Kit on page 5.



- TLR** = Twist Lock Photocell Receptacle
 - TLR-PC** = Twist Lock Photocell Receptacle with Photocontrol
- Note: Voltage must be specified.

Factory installed photocell receptacle through top of luminaire.

Not available for 450-1000W.

- PCB** = Photocell Button
- Note: Voltage must be specified.

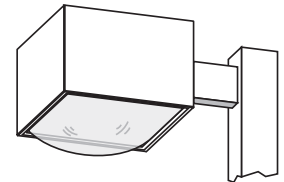
Factory installed photocell button on side wall of luminaire.

Not available for 450-1000W or 480V.

- ASL** = Acrylic Sag Lens
- Available for 400W and below only

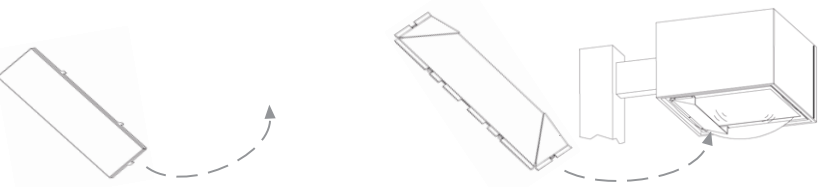
Cost efficient alternative to conventional glass sag glass.

Consult factory for per fixture savings with this option.
 One year warranty.



- HSS-V-AL3** = Internal House Side Shield for use with Sag Lens
- HSS-H-AL3** = Internal House Side Shield for use with Flat Lens

Note: All Type 4 Optics include HSS as standard.



- SLS** = Stabilux Socket

Adjustable Stabilux Lamp support, insulated with woven ceramic fabric, for applications requiring added protection to reduce lamp breakage due to mechanical shock and vibration. For horizontal optics only.

FINISH

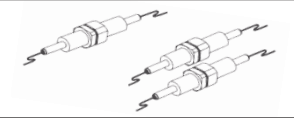
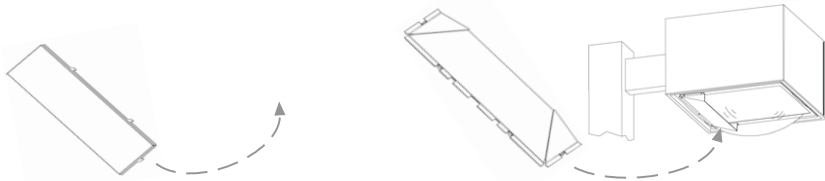
- | | | | |
|--|---|--|---|
| <ul style="list-style-type: none"> <input type="checkbox"/> DB = Dark Bronze <input type="checkbox"/> TBK = Textured Black <input type="checkbox"/> BLK = Black <input type="checkbox"/> GR = Gray <input type="checkbox"/> GN = Textured Green <input type="checkbox"/> SA = Satin Aluminum | <ul style="list-style-type: none"> <input type="checkbox"/> WHT = White <input type="checkbox"/> RAL(*) = Special Tiger DryLac® Powdercoat finish; <p>(*) Specify RAL color number from RAL color chart (Consult factory)</p> | <ul style="list-style-type: none"> <input type="checkbox"/> DS01 = White Decorative Striping⁽¹⁾ <input type="checkbox"/> DS02 = Black Decorative Striping <input type="checkbox"/> DS03 = Gold Metallic Decorative Striping <input type="checkbox"/> DS04 = Red Decorative Striping <input type="checkbox"/> DS05 = Silver Metallic Decorative Striping | <ul style="list-style-type: none"> <input type="checkbox"/> DS08 = Blue Decorative Striping⁽¹⁾ <input type="checkbox"/> DS69 = Dark Green Decorative Striping⁽¹⁾ <p>(1) Not available for AL2. Consult factory for additional striping colors.</p> |
|--|---|--|---|



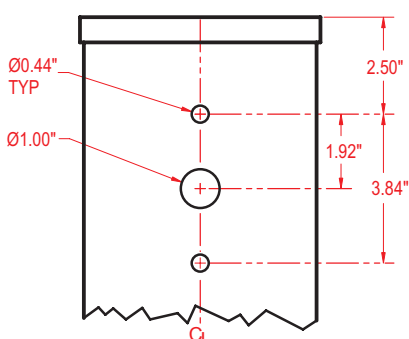
Type:
 Job:

Page 5 of 6

ACCESSORIES - (SHIPPED SEPARATELY)

| | |
|---|---|
| <ul style="list-style-type: none"> <input type="checkbox"/> F1-Kit = Inline Fusing (120V/277V) <input type="checkbox"/> F2-Kit = Inline Fusing (208V/240V/480V) | <p>Consists of 1 or 2 fuse holders and 1 or 2 KTK 30 amp fuses. Field installed.</p>  |
| <ul style="list-style-type: none"> <input type="checkbox"/> HSS-V-AL3 = Internal House Side Shield for use with Sag Lens <input type="checkbox"/> HSS-H-AL3 = Internal House Side Shield for use with Flat Lens |  |
| <ul style="list-style-type: none"> <input type="checkbox"/> SK-AL3 = External Glare (House Side) Shield | <p>Field installed accessory provides advanced directional control of spill light from sag or flat lens.</p> <p>Easy installation at lip of lens frame provides a seamless appearance.</p> <p>Specify finish. Recommended finish is TBK (Textured Black).</p> |
| <ul style="list-style-type: none"> <input type="checkbox"/> FCOS-AL3 = Full Cutoff Shield | <p>Field installed accessory is designed to convey Full Cutoff properties to fixture with sag lens. Typically indicated where lamp envelope extends past lower edge of housing into sag lens area. (All HPS vertical and 450-1000W MH or PSMH vertical.)</p> <p>2-piece installation at lens frame provides a seamless appearance.</p> <p>Specify finish. Recommended finish is TBK (Textured Black).</p> |

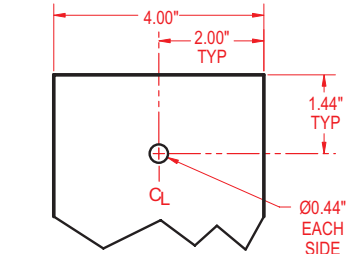
DRILL TEMPLATES (NTS)



DM Direct Mount to Square Pole
SS Arm Mount to Square Pole
SR Arm Mount to Round Pole
SA2 Adjustable Arm Mount to Square Pole

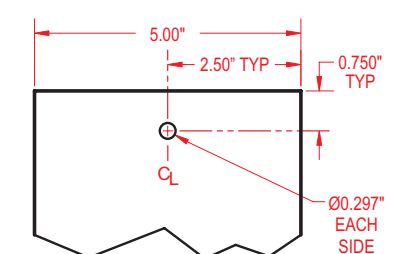
for 4" - 6" Square Pole or
 3.5" - 5" Round Pole

DRILL TEMPLATE NO. 8



PT Post Top Mount to 4" Square Pole

DRILL TEMPLATE NO. 9



PT Post Top Mount to 5" Square Pole

DRILL TEMPLATE NO. 10



