

**Type:**  
**Job:**  
**Catalog Number:**

**Approvals:**

SERIES DISTRIBUTION VOLTAGE MOUNTING <small>See Page 2</small>	OPTIONS <small>(FACTORY INSTALLED) See Pages 3 and 4</small>	FINISH
---	---	--------

Note: X and Y components of order sequence to be manually entered in part number **after** Option / Accessory is selected.

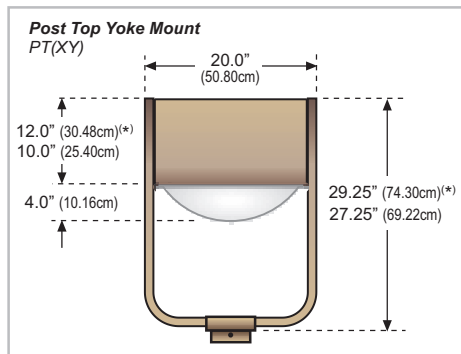
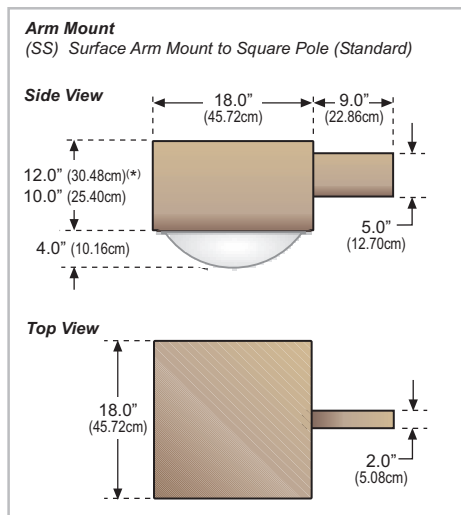
Certain configurations or combinations of options and/or accessories may not be compatible.

ACCESSORIES (SHIPPED SEPARATELY) <small>See page 5</small>
---

**Date:**  
**Page 1 of 6**

**OVERALL DIMENSIONS**

*For reference only*



(\*) 450-1000W AL3 luminaires require deeper 12" housing. 10" deep housing is suitable for 400W and below.

**EPA DATA** (Effective Projected Area in Ft<sup>2</sup>)

		Number of Fixtures			
		1	2	3	4
<b>ARM MOUNT (SS / SR)</b>					
10" Deep Housing	Flat Glass	1.9	3.8	4.8	5.0
	Sag Glass	2.1	4.2	5.6	5.9
12" Deep Housing	Flat Glass	2.2	4.3	5.6	5.9
	Sag Glass	2.3	4.7	6.1	6.4
<b>POST TOP MOUNT (PT)</b>					
10" Deep Housing	Flat Glass	2.2	---	---	---
	Sag Glass	2.4	---	---	---
12" Deep Housing	Flat Glass	2.5	---	---	---
	Sag Glass	2.3	---	---	---

Consult Mounting Configuration chart on page 3 and contact factory for corresponding EPA data.

**SPECIFICATIONS**

**HOUSING**

Formed aluminum sheet metal housing and top. The sides and top shall be mechanically and chemically sealed to ensure a rain-tight seal. Standard unit constructed to IP54.

**OPTICAL MODULE**

Rotatable multi-faceted segmented reflectors shall be made from high purity enhanced Super Sheet™ (94% reflectance) aluminum. Optical assemblies shall be field rotatable at 90° increments and exchangeable. Lamp orientation and lens flexibility allow the AL3 Series Luminaires to provide optics meeting the IESNA definitions of Full Cutoff, Cutoff and Semi-Cutoff. Unique "F" optics (available for 400W and below) combine standard flat glass lens with desirable vertical lamp orientation to achieve Full Cutoff. The resulting luminaire is Dark Sky Ordinance compliant (Flat Glass) with the advantage of precision uniformity (Vertical Lamp), delivering superior performance over conventional horizontally lamped optics.

**LAMP ACCESS**

Door frame shall be mitered anodized aluminum extrusion, gasketed to ensure a positive seal to the housing.

**LENS**

Lens shall be tempered glass to withstand thermal and physical shock. (Flat glass or sag glass determined by wattage and optics specified.)

**SOCKET**

A porcelain, 4KV pulse rated, grip-type mogul based socket shall be used to prevent lamp loosening and to maintain proper lamp positioning. Stabilux™ lamp socket available for horizontally lamped optics.

**BALLAST**

Ballast shall be high power factor with reliable starting to -29°C (-20°F) for Metal Halide, -34°C (-30°F) for Pulse Start Metal Halide, -40°C (-40°F) for High Pressure Sodium. 180°C (356°F) Class H insulation system. Crest factor does not exceed 1.8.

**MOUNTING**

Standard surface arm mount (field installed) shall be of heavy gauge extruded aluminum. Threaded tension rods shall be used to bolt to square or round poles. Optional post top mount shall allow fixture to be mounted to square or round poles or tenons. For additional mounting options see section on page 2.

**FINISH**

Standard finish shall be UltraClad™ polyester powder electrostatically applied and oven cured to ensure extreme durability and high quality appearance. Dark bronze finish is standard. Other colors may be specified. Decorative striping option also available.

**LISTINGS**

UL/cUL Listed Luminaire, UL 1598, suitable for Wet Locations. The quality systems of this facility have been Registered by UL to the ISO 9000 Series Standards.

**WARRANTY / TERMS AND CONDITIONS**

Mechanical, finish and electrical shall be covered by a limited 3-year warranty. Warranty is 1 year when purchased with ASL (acrylic lens) option. Wide-Lite's current Warranty may be found at [www.wide-lite.com](http://www.wide-lite.com) (keyword: warranty) as well as Wide-Lite's current Standard Terms and Conditions of Sale (keyword: terms). All sales of items in this catalogue shall be subject to Wide-Lite's Standard Terms and Conditions of Sale current at the time of shipment. If you do not have a copy of Wide-Lite's Warranty and Standard Terms, please contact the factory for same prior to ordering.

Fluorescent and HID lamps contain mercury. Dispose of these lamps according to local, state or federal laws. For further information on local, state or other requirements for disposal of mercury-containing lamps, see [www.nema.org/lamprecycle/](http://www.nema.org/lamprecycle/).



[www.wide-lite.com](http://www.wide-lite.com)  
 CATALOG KEYWORD: AL3



**Wide-Lite**  
 a GENLITE company

P.O. Box 606 • San Marcos TX 78667-0606  
 (512) 392-5821 • Fax (512) 753-1122

*Specifications and dimensions are subject to change without notice.*



Type:  
Job:

## STANDARD FEATURES

**AL3** (Spectra III, 18" Housing)

**SPECTRA SERIES**

**ARM MOUNT**

Shown with Flat Glass Lens



**POST TOP YOKE MOUNT**

Shown with Sag Glass Lens

### VOLTAGE

- 120       208       240
- 277       480       QV<sup>(5)</sup>

(5) Allows field selection of 120/208/240/277 voltage, (No 480V). Certain options may require voltage selection as well.

### SERIES<sup>(1,2)</sup>

#### Metal Halide

- AL3M-1000<sup>(3)</sup>
- AL3M-400
- AL3M-250
- AL3M-175

#### Pulse Start Metal Halide

- AL3P-1000<sup>(3)</sup>
- AL3P-450<sup>(3,4)</sup>
- AL3P-400
- AL3P-350
- AL3P-250
- AL3P-175
- AL3P-150\*

#### High Pressure Sodium

- AL3S-400
- AL3S-250
- AL3S-150

\* Note: 150 Watt Pulse Start also available in compact AL2 luminaire.

(1) M = Metal Halide; P = Pulse Start Metal Halide; S = High Pressure Sodium. (3) 2H Reflector not available.  
(2) 70-400W allows 10" deep housing; 450-1000W requires 12" deep housing. (4) Not available in Horizontal Burn Lamps at time of printing.

### DISTRIBUTION

#### VERTICAL Lamp Optics

##### Full Cutoff, Flat Glass Lens

Available for Metal Halide and Pulse Start Metal Halide only. Limited to 400W and below.

- 2F = Type II
- 3F = Type III
- 4F = Forward Throw
- 5F = Type V Square

##### Cutoff / Semi-Cutoff, Sag Glass Lens

Lower wattage (175-400W) achieve Cutoff distribution. Higher wattage (450-1000W) achieve Semi-Cutoff distribution.

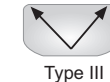
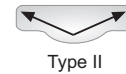
- 2V = Type II
- 3V = Type III
- 4V = Forward Throw
- 5V = Type V Square

#### HORIZONTAL Lamp Optics

##### Full Cutoff, Flat Glass Lens

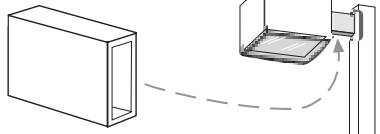
- 2H = Type II
- 3H = Type III
- 4H = Forward Throw
- 5H = Type V Square

#### DISTRIBUTION PATTERNS

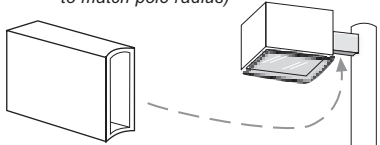


### MOUNTING OPTIONS

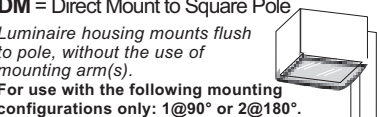
- SS** = Surface Arm Mount to Square Pole (Standard)



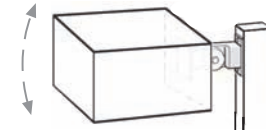
- SR(X)** = Surface Arm Mount to Round Pole<sup>(6)</sup>  
(Mounting edge of Arm is contoured to match pole radius)



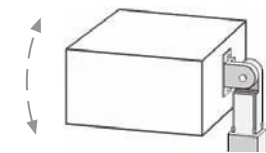
- DM** = Direct Mount to Square Pole  
Luminaire housing mounts flush to pole, without the use of mounting arm(s).  
For use with the following mounting configurations only: 1@90° or 2@180°.



- SA2** = Adjustable Arm Mount to Square Pole  
For use with the following mounting configurations only: 1@90° or 2@180°.  
(Includes transition plate)

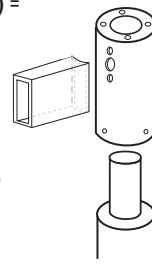


- MA2** = Adjustable Mastfitter Mount to 2-3/8" OD tenon  
(Includes transition plate)



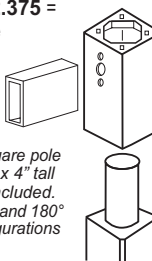
- RTA-(X)-(Y)** = Round Pole Tenon Adapter<sup>(7,8)</sup>

(Slipfitter for Round pole, 9" arm included)

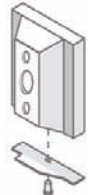


- SPTA-(X)-2.375** = Square Pole Tenon Adapter<sup>(7)</sup>

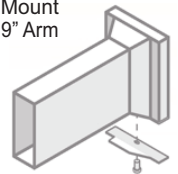
(Slipfitter for Square pole with 2.375" OD x 4" tall tenon. 9" arm included. Available in 90° and 180° Mounting Configurations only.)



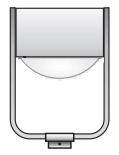
- WB** = Wall Mount Bracket



- WBA** = Wall Mount Bracket with 9" Arm



- PT(XY)** = Post Top Yoke Mount<sup>(9)</sup>



(6) X = Specify pole size: (3.5 / 4)" OD; (4 / 5)" OD.

(7) X = Specify configuration: 1 @ 90°; 2 @ 90°; 3 @ 90°; 4 @ 90°; 2 @ 180°; 2 @ 120°; 3 @ 120°.

(8) Y = Specify tenon size: 2.375" OD x 4" tall; 3 / 3.5" OD x 6" tall; 3.5 / 4" OD x 6" tall.

(9) XY = Specify pole size and type: 4S, 5S, 2.375R, 3R, or 4R.

Note: X and Y components of order sequence to be manually entered in part number on page 1 after Mounting Option is selected.



www.wide-lite.com  
CATALOG KEYWORD: AL3



**Wide-Lite**  
a GENLYTE company

P.O. Box 606 • San Marcos TX 78667-0606  
(512) 392-5821 • Fax (512) 753-1122

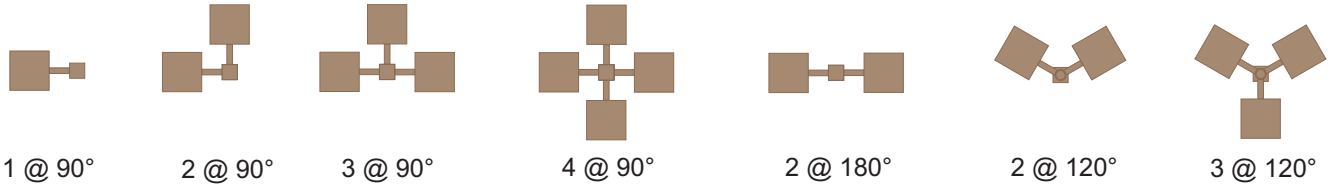
Specifications and dimensions are subject to change without notice.



Type:  
Job:

Page 3 of 6

### MOUNTING CONFIGURATIONS



Note: 2 @ 120° and 3 @ 120° mounting configurations require Round Poles or use of Round Pole Tenon Adapter. All other configurations may be used with Round or Square Poles.

### DISTRIBUTION GUIDE & BALLAST DATA <sup>(1)</sup>

Source Type <sup>(2)</sup>	Catalog Number	Lamp Envelope	Reflector Type <sup>(5)</sup>	Cutoff Level	.ies File Name <sup>(3)</sup>	Ballast Type <sup>(4)</sup>	ANSI Code	Line Current 120 / 208 / 240 / 277 / 480	Line Watts
MH	AL3M-1000	BT / ED37	2V, 3V, 4V, 5V 3H, 4H, 5H	Semi Cutoff <b>Full Cutoff</b>	alm10(*).ies	CWA	M47 / H36	9.2 / 5.6 / 4.7 / 4.1 / 2.4	1080
	AL3M-400	BT / ED28	2V, 3V, 4V, 5V 2F, 3F, 4F, 5F, 2H, 3H, 4H, 5H	Cutoff <b>Full Cutoff</b>	alm40(*).ies	CWA	M59 / H33	4.4 / 2.5 / 2.2 / 1.9 / 1.1	462
	AL3M-250	BT / ED28	2V, 3V, 4V, 5V 2F, 3F, 4F, 5F, 2H, 3H, 4H, 5H	Cutoff <b>Full Cutoff</b>	alm25(*).ies	CWA	M58 / H37	2.8 / 1.6 / 1.4 / 1.2 / 0.8	297
	AL3M-175	BT / ED28	2V, 3V, 4V, 5V 2F, 3F, 4F, 5F, 2H, 3H, 4H, 5H	Cutoff <b>Full Cutoff</b>	alm17(*).ies	CWA	M57 / H39 / M107	1.8 / 1.1 / 0.9 / 0.8 / 0.5	213
PS	AL3P-1000	BT / ED37	2V, 3V, 4V, 5V 3H, 4H, 5H	Semi Cutoff <b>Full Cutoff</b>	alp10(*).ies	CWA	M141	9.0 / 5.2 / 4.5 / 3.9 / 2.4	1080
	AL3P-450	BT / ED37	2V, 3V, 4V, 5V	Semi Cutoff	alp45(*).ies	CWA	M144	4.4 / 2.6 / 2.2 / 1.9 / 1.1	514
	AL3P-400	BT / ED28	2V, 3V, 4V, 5V 2F, 3F, 4F, 5F, 2H, 3H, 4H, 5H	Cutoff <b>Full Cutoff</b>	alp40(*).ies	CWA	M135 / M155	4.0 / 2.2 / 1.9 / 1.8 / 1.0	456
	AL3P-350	BT / ED28	2V, 3V, 4V, 5V 2F, 3F, 4F, 5F, 2H, 3H, 4H, 5H	Cutoff <b>Full Cutoff</b>	alp35(*).ies	CWA	M131	3.7 / 2.1 / 1.8 / 1.6 / 0.9	400
	AL3P-250	BT / ED28	2V, 3V, 4V, 5V 2F, 3F, 4F, 5F, 2H, 3H, 4H, 5H	Cutoff <b>Full Cutoff</b>	alp25(*).ies	CWA	M138 / M153	2.8 / 1.5 / 1.3 / 1.2 / 0.6	298
	AL3P-175	BT / ED28	2V, 3V, 4V, 5V 2F, 3F, 4F, 5F, 2H, 3H, 4H, 5H	Cutoff <b>Full Cutoff</b>	alp17(*).ies	CWA	M137 / M152	2.0 / 1.1 / 0.9 / 0.8 / 0.5	220
	AL3P-150	BT / ED28	2V, 3V, 4V, 5V 2F, 3F, 4F, 5F, 2H, 3H, 4H, 5H	Cutoff <b>Full Cutoff</b>	alp15(*).ies	HX-HPF	M102 / M142	3.7 / 2.1 / 1.8 / 1.6 / 1.0	185
HPS	AL3S-400	E18	2V, 3V, 4V, 5V 2H, 3H, 4H, 5H	Cutoff <b>Full Cutoff</b>	als40(*).ies	CWA	S51	3.9 / 2.3 / 2.1 / 1.7 / 1.0	465
	AL3S-250	E18	2V, 3V, 4V, 5V 2H, 3H, 4H, 5H	Cutoff <b>Full Cutoff</b>	als25(*).ies	CWA	S50	2.7 / 1.5 / 1.3 / 1.2 / 0.7	310
	AL3S-150	E23½	2V, 3V, 4V, 5V 2F, 3F, 4F, 5F, 2H, 3H, 4H, 5H	Cutoff <b>Full Cutoff</b>	als15(*).ies	HX-HPF	S55	3.2 / 1.7 / 1.6 / 1.4 / 0.7	195

Notes: (1) The Spectra AL3 Series can accommodate a variety of other wattages and lamps. Please consult factory with specific requirements.

(2) MH = Metal Halide, PS = Pulse Start Metal Halide, HPS = High Pressure Sodium. Clear lamps are recommended for optimum uniformity.

(3) Replace (\*) with Reflector Type:

2V, 3V, 4V, 5V  
(Vertical Lamp / Sag Glass / Cutoff 400W and below, Semi-Cutoff 450-1000W)

2F, 3F, 4F, 5F  
(Vertical Lamp / Flat Glass / Full Cutoff)

2H, 3H, 4H, 5H  
(Horizontal Lamp / Flat Glass / Full Cutoff)

(4) CWA = Constant Wattage Autotransformer; HX-HPF = High Reactance High Power Factor.

(5) All Horizontal Lamp AL3 reflectors are equipped with POMB sockets and can accommodate Standard or High Output Lamps.



www.wide-lite.com  
CATALOG KEYWORD: AL3



Wide-Lite  
a GENLITE company

P.O. Box 606 • San Marcos TX 78667-0606  
(512) 392-5821 • Fax (512) 753-1122

Specifications and dimensions are subject to change without notice.



Type:  
 Job:

Page 4 of 6

## OPTIONS - (FACTORY INSTALLED)

- CSR** = Hot Quartz Restrike
- LQ** = Hot/Cold Quartz Restrike
- LQ1** = Separately Wired (120V) Quartz Restrike. (Requires 5-wire)

Note: LQ1 requires an Interlock (by others) to ensure HID and Quartz source are not operated at once.

Note: Combined Quartz wattage may not exceed HID lamp wattage.

Standard 150 watt (120V) double contact bayonet base socket.

CSR - Quartz restrike using a current sensing relay; extinguishes auxiliary lamp when main arc strikes.

LQ - Provides LiteMatic operation for fixtures with 120V or multi-tap ballasts.

LQ1 - Separately wired, externally controlled emergency lighting from a separate power source.

### LiteMatic Operation



**Normal Start:**  
Main and Quartz lamps both energized.



**Main Lamp Reaches Approximately 40% of Rated Output:** Quartz lamp automatically extinguishes (combined lamp currents never exceed that of main lamp at 100% output).



**When Arc Extinguished:** Auxiliary quartz lamp automatically energized when power is restored.



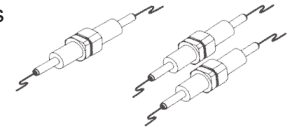
**Main Lamp Reaches 40% of Rated Output:** Quartz lamp automatically extinguishes

- F1** = Single Fuse (120/277V) 400W and below only
- F2** = Double Fuse (208/240/480V) 400W and below only

Note: If ordering QV ballast, voltage must be specified.

Standard unit consists of 1 or 2 KTK 30 amp fuses mounted internally on the ballast plate.

**Not available for 450-1000W. See inline fusing Accessories F1-Kit and F2-Kit on page 5.**



- TLR** = Twist Lock Photocell Receptacle
  - TLR-PC** = Twist Lock Photocell Receptacle with Photocontrol
- Note: Voltage must be specified.

Factory installed photocell receptacle through top of luminaire.

**Not available for 450-1000W.**

- PCB** = Photocell Button
- Note: Voltage must be specified.

Factory installed photocell button on side wall of luminaire.

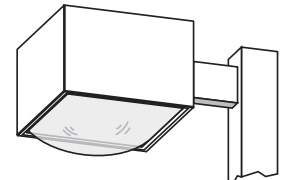
**Not available for 450-1000W or 480V.**

- ASL** = Acrylic Sag Lens
- Available for 400W and below only

Cost efficient alternative to conventional glass sag glass.

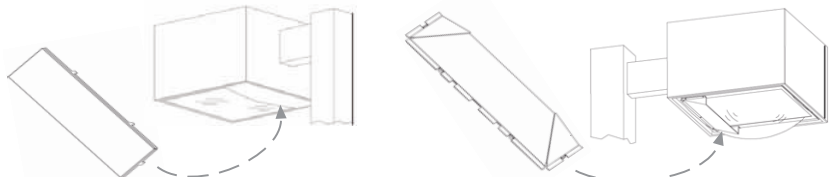
Consult factory for per fixture savings with this option.

One year warranty.



- HSS-V-AL3** = Internal House Side Shield for use with Sag Lens
- HSS-H-AL3** = Internal House Side Shield for use with Flat Lens

Note: All Type 4 Optics include HSS as standard.



- SLS** = Stabilux Socket

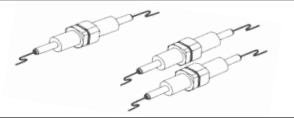
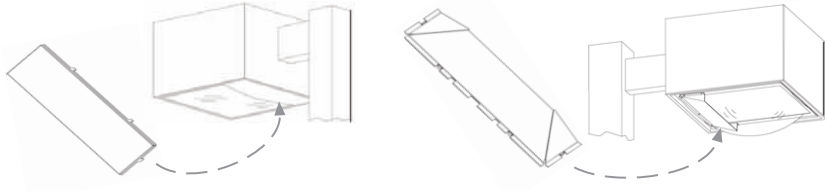
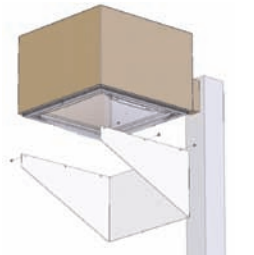
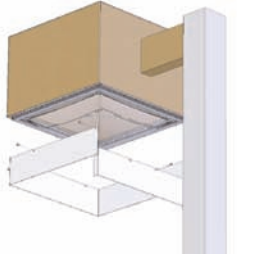
Adjustable Stabilux Lamp support, insulated with woven ceramic fabric, for applications requiring added protection to reduce lamp breakage due to mechanical shock and vibration. For horizontal optics only.

## FINISH

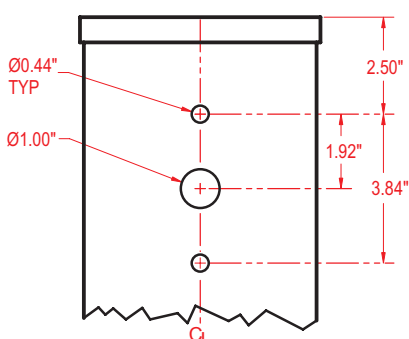
- |  |   |  |   |
|--|---|--|---|
| <ul style="list-style-type: none"> <li><input type="checkbox"/> <b>DB</b> = Dark Bronze</li> <li><input type="checkbox"/> <b>TBK</b> = Textured Black</li> <li><input type="checkbox"/> <b>BLK</b> = Black</li> <li><input type="checkbox"/> <b>GR</b> = Gray</li> <li><input type="checkbox"/> <b>GN</b> = Textured Green</li> <li><input type="checkbox"/> <b>SA</b> = Satin Aluminum</li> </ul> | <ul style="list-style-type: none"> <li><input type="checkbox"/> <b>WHT</b> = White</li> <li><input type="checkbox"/> <b>RAL(*)</b> = Special Tiger DryLac® Powdercoat finish;</li> </ul> <p>(*) Specify RAL color number from RAL color chart (Consult factory)</p> | <ul style="list-style-type: none"> <li><input type="checkbox"/> <b>DS01</b> = White Decorative Striping<sup>(1)</sup></li> <li><input type="checkbox"/> <b>DS02</b> = Black Decorative Striping</li> <li><input type="checkbox"/> <b>DS03</b> = Gold Metallic Decorative Striping</li> <li><input type="checkbox"/> <b>DS04</b> = Red Decorative Striping</li> <li><input type="checkbox"/> <b>DS05</b> = Silver Metallic Decorative Striping</li> </ul> | <ul style="list-style-type: none"> <li><input type="checkbox"/> <b>DS08</b> = Blue Decorative Striping<sup>(1)</sup></li> <li><input type="checkbox"/> <b>DS69</b> = Dark Green Decorative Striping<sup>(1)</sup></li> </ul> <p>(1) Not available for AL2.<br/>                 Consult factory for additional striping colors.</p> |
|--|---|--|---|

Type:  
 Job:

## ACCESSORIES - (SHIPPED SEPARATELY)

<ul style="list-style-type: none"> <li><input type="checkbox"/> <b>F1-Kit</b> = Inline Fusing (120V/277V)</li> <li><input type="checkbox"/> <b>F2-Kit</b> = Inline Fusing (208V/240V/480V)</li> </ul>	Consists of 1 or 2 fuse holders and 1 or 2 KTK 30 amp fuses. Field installed.	
<ul style="list-style-type: none"> <li><input type="checkbox"/> <b>HSS-V-AL3</b> = Internal House Side Shield for use with Sag Lens</li> <li><input type="checkbox"/> <b>HSS-H-AL3</b> = Internal House Side Shield for use with Flat Lens</li> </ul>		
<ul style="list-style-type: none"> <li><input type="checkbox"/> <b>SK-AL3</b> = External Glare (House Side) Shield</li> </ul>	Field installed accessory provides advanced directional control of spill light from sag or flat lens. Easy installation at lip of lens frame provides a seamless appearance. Specify finish. Recommended finish is TBK (Textured Black).	
<ul style="list-style-type: none"> <li><input type="checkbox"/> <b>FCOS-AL3</b> = Full Cutoff Shield</li> </ul>	Field installed accessory is designed to convey Full Cutoff properties to fixture with sag lens. Typically indicated where lamp envelope extends past lower edge of housing into sag lens area. (All HPS vertical and 450-1000W MH or PSMH vertical.) 2-piece installation at lens frame provides a seamless appearance. Specify finish. Recommended finish is TBK (Textured Black).	

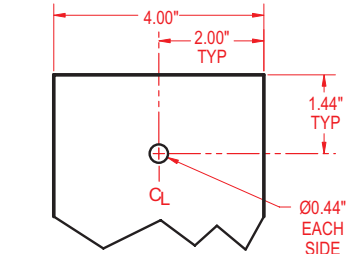
## DRILL TEMPLATES (NTS)



**DM** Direct Mount to Square Pole  
**SS** Arm Mount to Square Pole  
**SR** Arm Mount to Round Pole  
**SA2** Adjustable Arm Mount to Square Pole

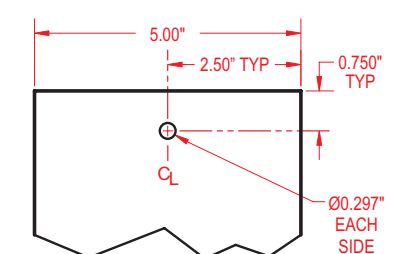
for 4" - 6" Square Pole or  
 3.5" - 5" Round Pole

**DRILL TEMPLATE NO. 8**



**PT** Post Top Mount to 4" Square Pole

**DRILL TEMPLATE NO. 9**



**PT** Post Top Mount to 5" Square Pole

**DRILL TEMPLATE NO. 10**

Type:

Job:

Page 6 of 6

## NOTES

