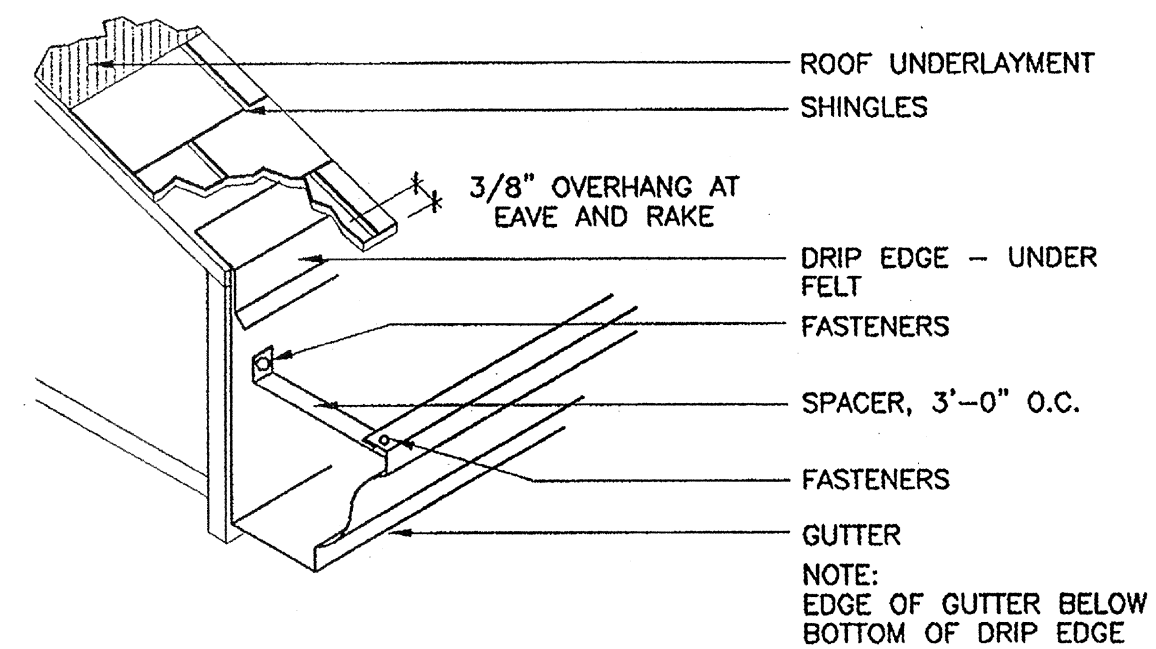
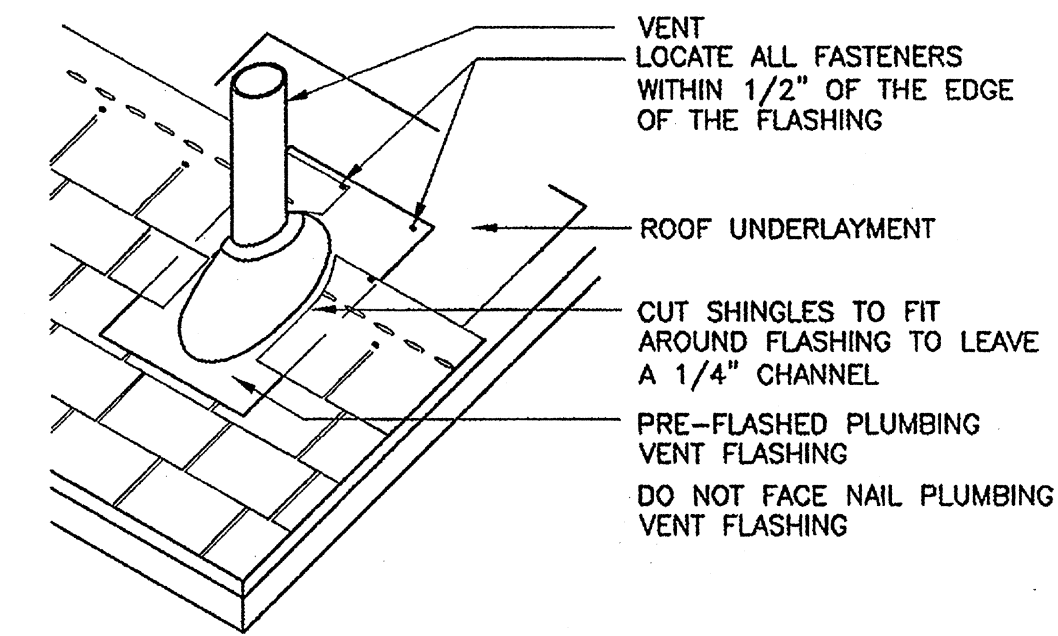


5 ROOF VALLEY DETAIL  
SCALE: N.T.S.

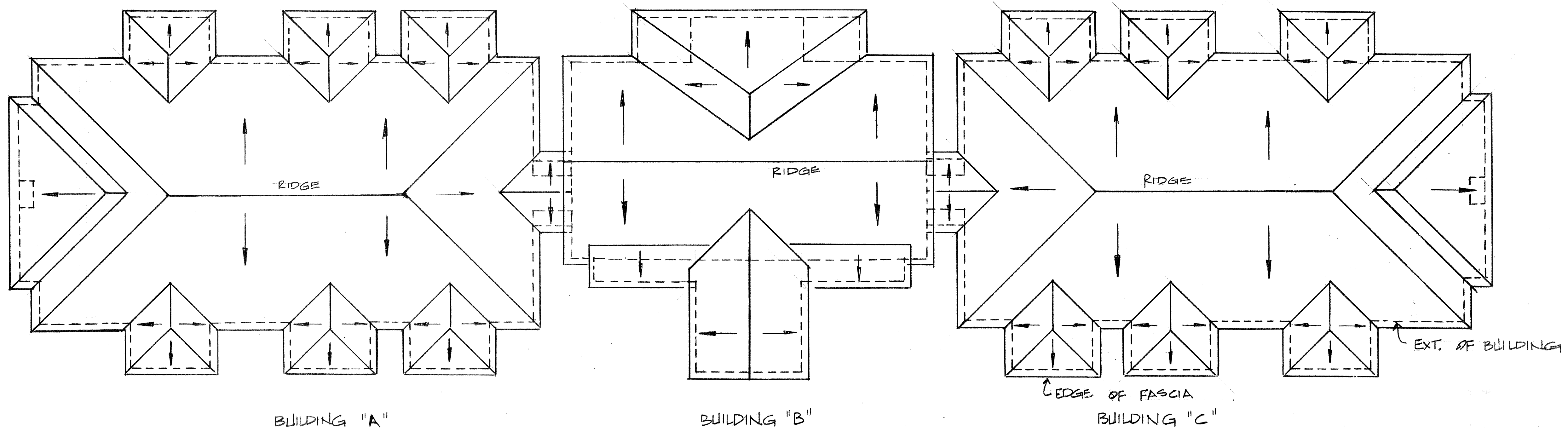


2 ROOF GUTTER DETAIL  
SCALE: N.T.S.



3 PLUMBING VENT DETAIL  
SCALE: N.T.S.

NOTE:  
INSTALL ALL ROOFING AND ACCESSORIES PER MANUFACTURER'S INSTRUCTIONS  
AND LOCAL CODE REQUIREMENTS.



ROOF LAYOUT  
SCALE 1/16" = 1'-0"

- NOTES
1. ALL ROOF PITCHES SHALL BE 5/12 UNLESS NOTED (BLDG. A & C)
  2. BLDG. B ROOF PITCHES VARY INCLUDING FORCED PITCH @ REAR OF BUILDING. SEE BUILDING "A" & "B" ELEVATIONS ON SH. N° A-16 & A-7

ANDERSON ASSISTED LIVING  
AT SUMMERFIELD  
4108 DAUPHINE ST. SLIDELL, LOUISIANA 70458

DATE:  
FEB 21, 2013  
PROJECT:  
AAL-002

A11