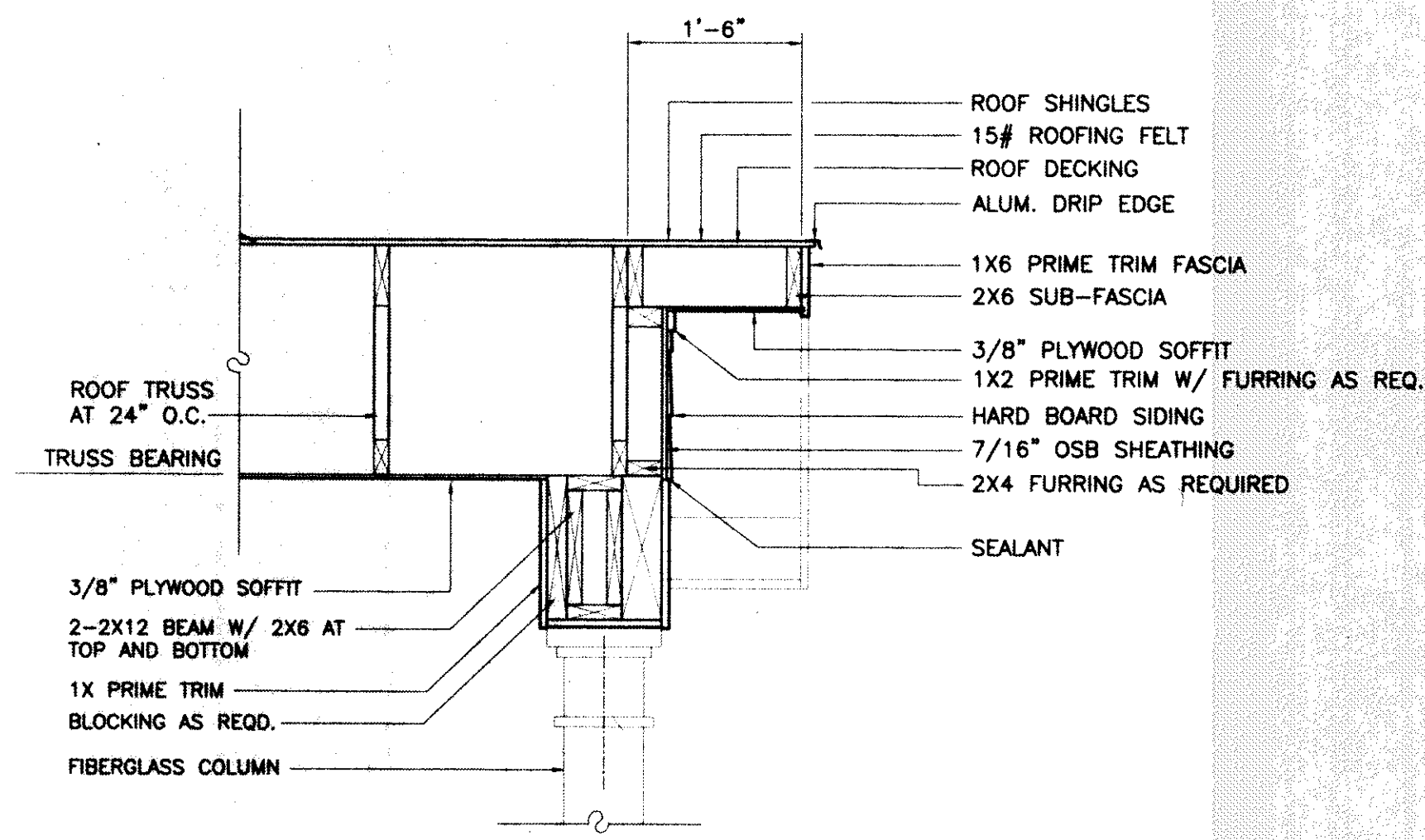
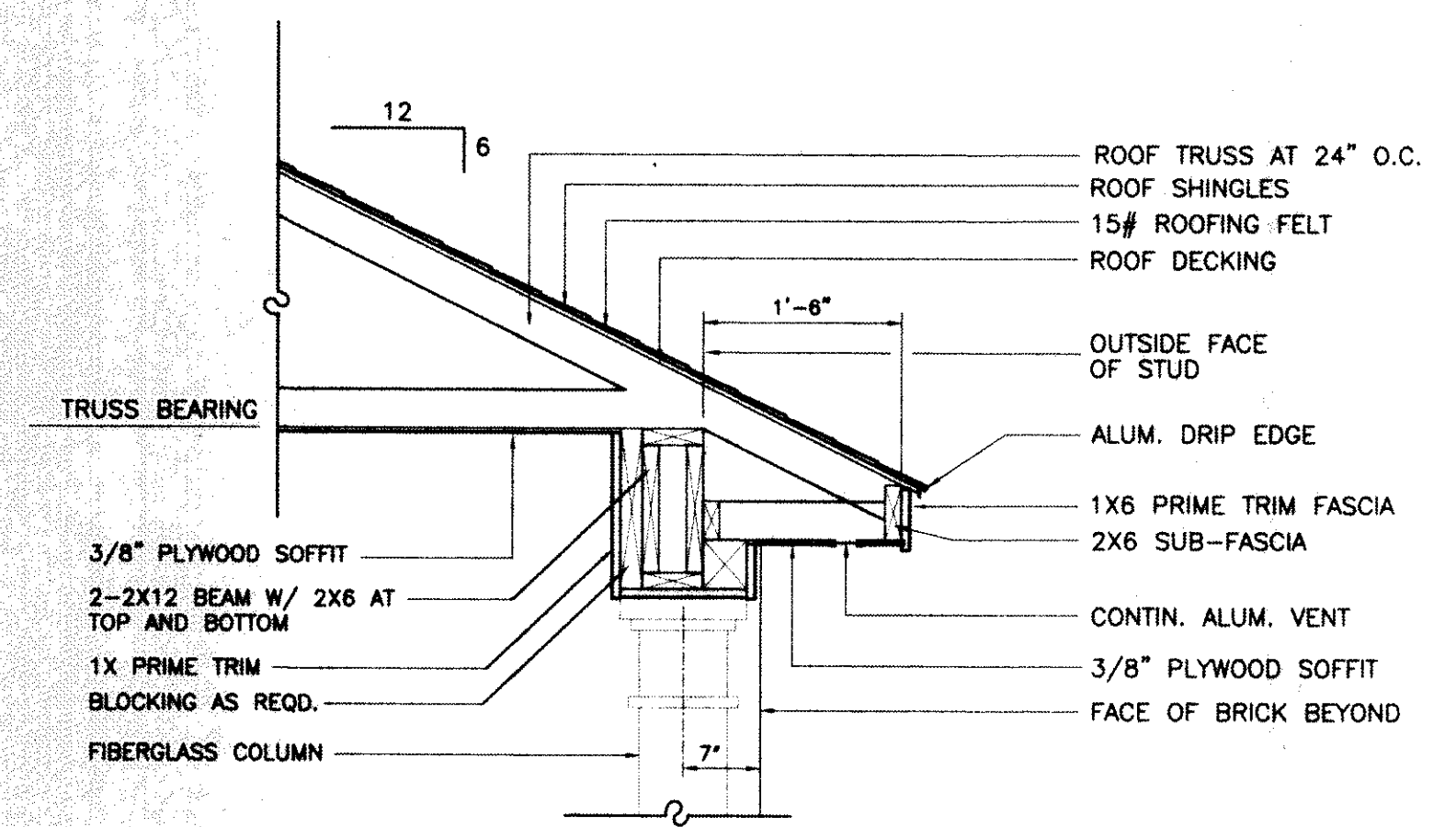


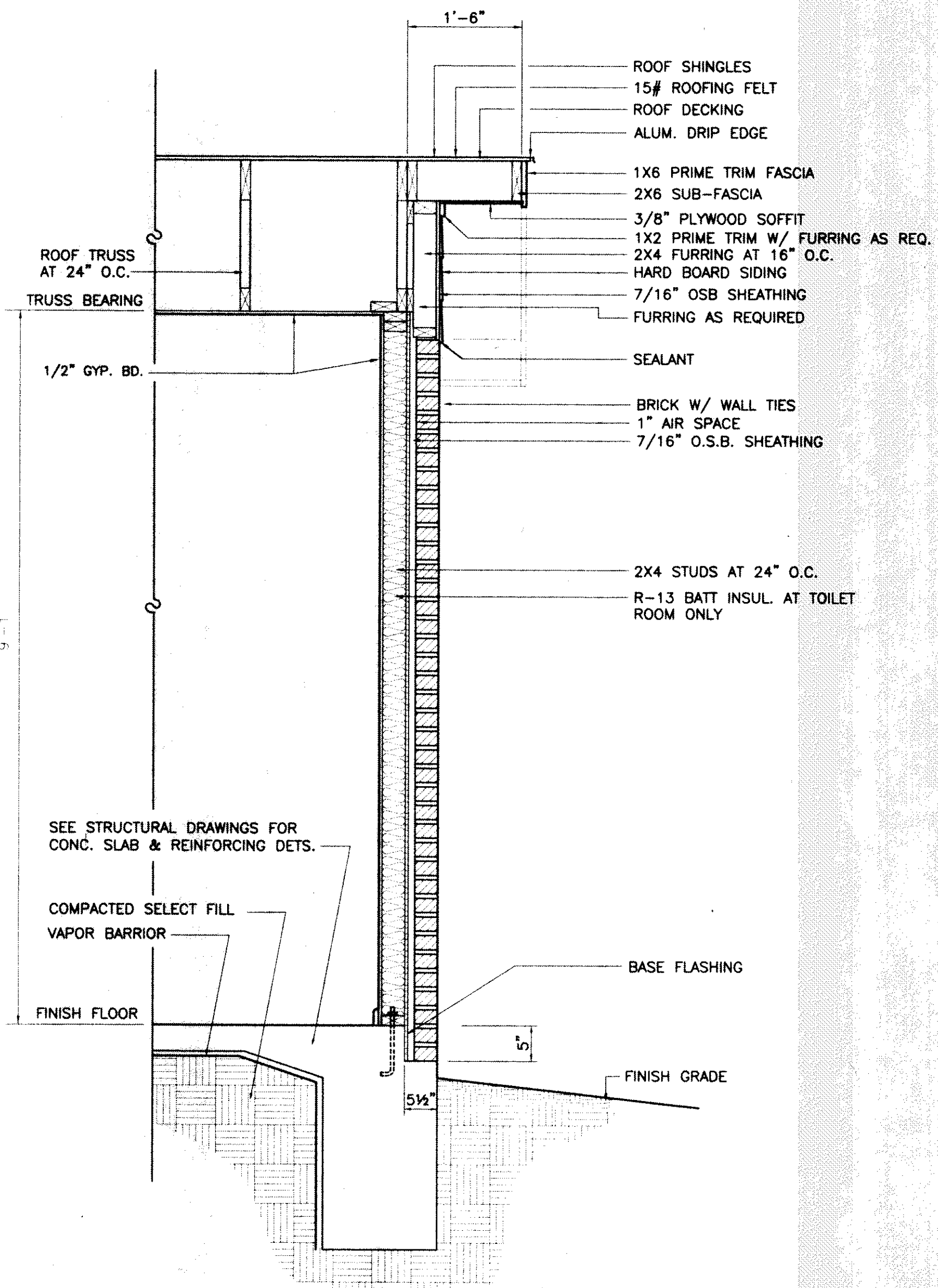
SECTION 1
3/4" = 1'-0"



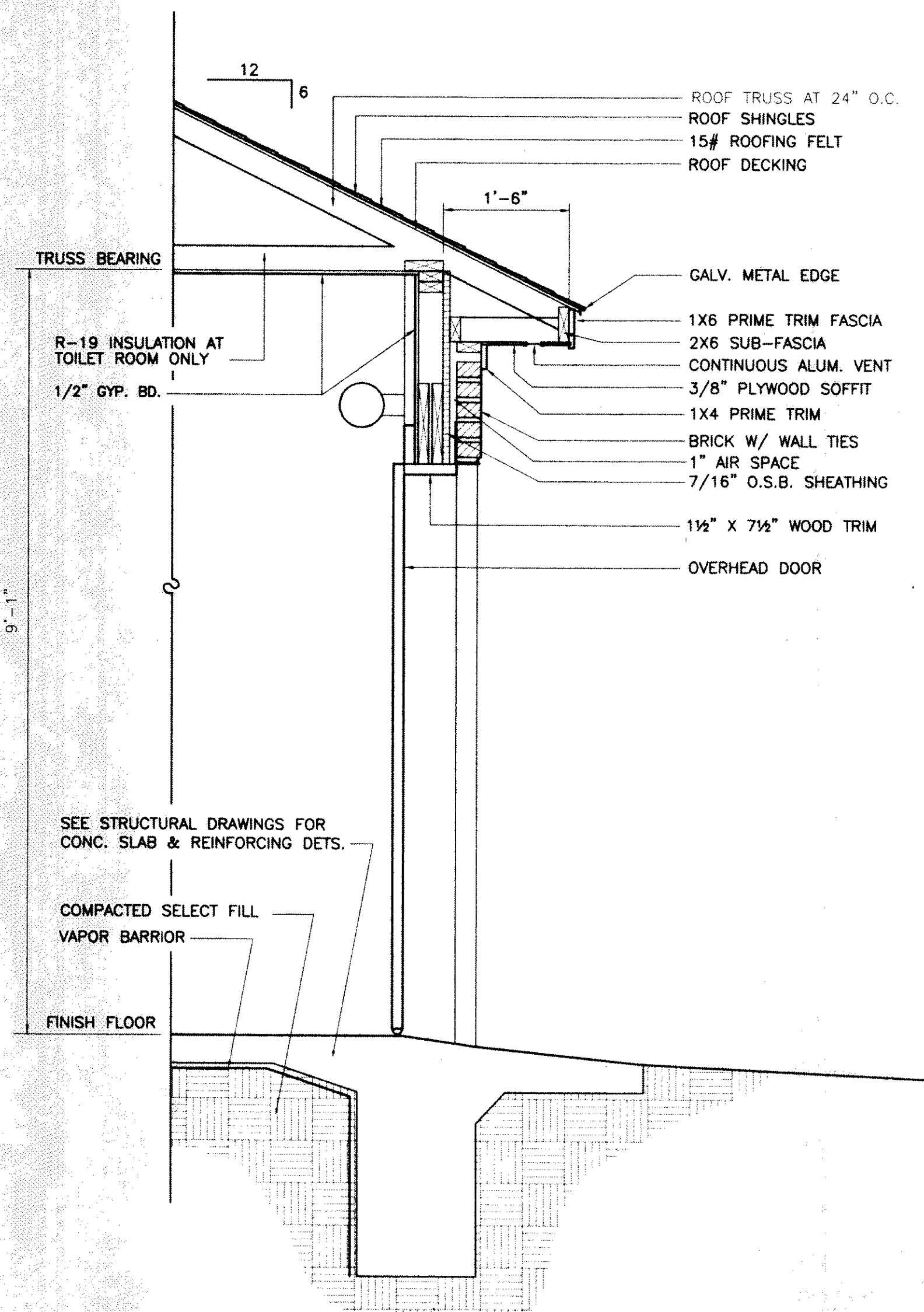
SECTION 2
3/4" = 1'-0"



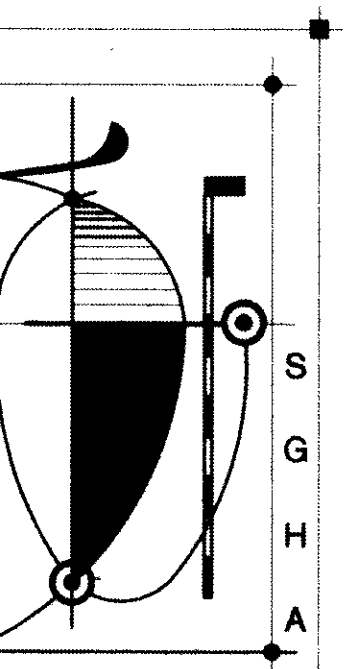
SECTION 3
3/4" = 1'-0"



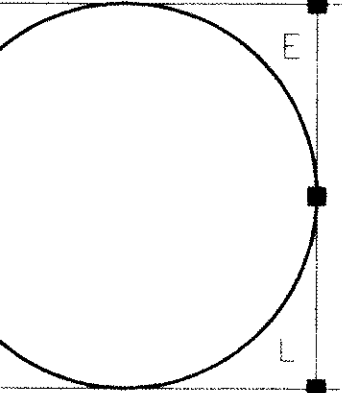
SECTION 4
3/4" = 1'-0"



SECTION 5
3/4" = 1'-0"



STEPHEN G. HILL
ARCHITECT
4646 POPLAR, SUITE 208
MEMPHIS TN 38117
901-683-3400
FAX: 901-683-3080
CELL: 901-301-2874
SHILL@missouth.rr.com

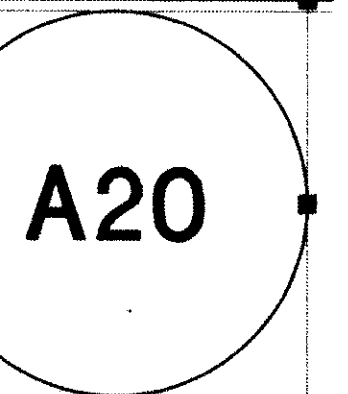


HOUSTON LEVEE TRAILS
APARTMENTS
SHELBY COUNTY, TENNESSEE

REVISIONS

WALL SECTIONS
MAINTENANCE BLDG.
AND GAZEBO

DRAWN SGH
CHECKED SGH
DATE 1-28-99



99105.13

© 1999 STEPHEN G. HILL ARCHITECT

C:\spn\99105.13\dwg\101\A20 Sun Oct 03 10:56:28 1999