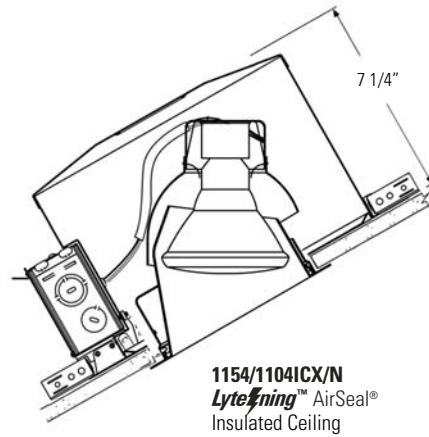


1154/1100IC Series
Insulated Ceiling



1154/1104ICX/N
LyteSeal™ AirSeal®
Insulated Ceiling

1100IC Mounting Frame must be installed with the J-Box on the "UPHILL" side.

1104ICX/N Mounting Frame must be installed with the J-Box on the "DOWNHILL" side.

Reflector Trim	Frame-In Kit - See Individual Frame-In Kit Specification Sheets		
	Frame-In Kit Installation Type Height	1100IC / 1100AICM IC 7 - 5/16"	1104ICX/N IC 7 - 1/4"
1154 Black Step Baffle		90W PAR38	90W PAR38
1154WH White Step Baffle		90W PAR38	90W PAR38
1154CD Clear Diffuse Cone		120W PAR38	120W PAR38
1154CL Specular Clear		120W PAR38	106W PAR38
1154GD Specular Gold		120W PAR38	120W PAR38
1154BK Specular Black		106W PAR38	90W PAR38
1154MW Matte White Cone		106W PAR38	106W PAR38

Complete Fixture consists of Frame-In Kit & Reflector Trim. Select each separately.

Features

- Housing:** Hydroformed aluminum, .040" thick; white trim flange.
- Aperture:** Conical aluminum step baffle, matte black or matte white finish; or hydroformed aluminum cone, specular Alzak® or Matte White finishes. For ceiling slopes 14° - 45° angle, 3/12 - 12/12 pitch.
- Lamp Housing:** Hydroformed aluminum, .040" thick.
- Frame-In Kit:** See Frame-In Kit specification sheets for more details.

Options & Accessories

Extra Wide Flange Trim Ring: 1954 - 8 5/8" O.D.

Labels

UL (Suitable for Damp Locations), I.B.E.W.

Alzak® is a registered trademark of ALCOA.

Job Information	Type:
Job Name:	
Cat. No.:	
Lamp(s):	
Notes:	

Lightolier a Genlyte Thomas Company www.lightolier.com
 631 Airport Road, Fall River, MA 02720 • (508) 679-8131 • Fax (508) 674-4710
 We reserve the right to change details of design, materials and finish.
 © 2004 Genlyte Thomas Group LLC (Lightolier Division) • A0504

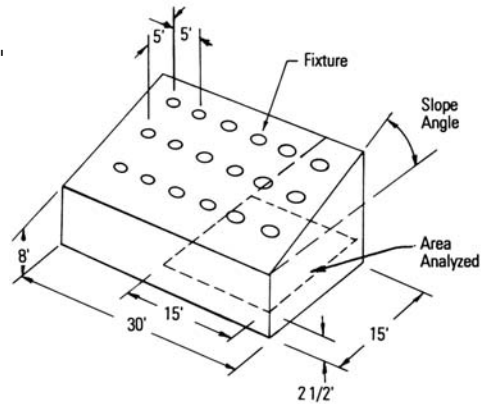
LIGHTOLIER®



Footcandles 2 1/2' Above the Floor

Fixture mounted on 5' x 5' centers (horizontally) in 15' x 30' room with sloped ceiling.

Room reflectances: 80% ceiling, 50% walls, 20% floor.



90W PAR38 WFL(25°)				
+	+	+	+	+
33.3	29.5	32.0	28.4	29.5
⊕	+	⊕	+	⊕
51.4	50.7	50.3	49.4	47.4
+	+	+	+	+
55.6	43.5	54.5	41.9	51.6
⊕	+	⊕	+	⊕
68.3	58.0	67.2	56.2	63.8
+	+	+	+	+
53.5	35.2	52.3	33.2	49.4
⊕	+	⊕	+	⊕
93.6	48.3	92.5	46.4	89.9

30° Ceiling Slope

90W PAR38 WFL(60°)				
+	+	+	+	+
23.4	22.9	21.9	21.0	18.4
⊕	+	⊕	+	⊕
31.4	31.6	30.2	29.1	25.5
+	+	+	+	+
36.3	35.2	35.1	32.4	29.6
⊕	+	⊕	+	⊕
40.7	39.8	39.5	37.0	33.8
+	+	+	+	+
42.7	39.8	41.6	37.4	35.4
⊕	+	⊕	+	⊕
44.4	39.6	43.4	37.7	37.5

90W PAR38 NFL (Narrow Flood)				
+	+	+	+	+
22.3	23.7	21.4	22.7	18.7
⊕	+	⊕	+	⊕
31.8	31.3	31.1	30.1	27.1
+	+	+	+	+
39.3	38.8	38.6	37.5	35.3
⊕	+	⊕	+	⊕
44.2	43.6	43.3	42.4	40.5
+	+	+	+	+
40.7	31.1	39.9	29.6	37.6
⊕	+	⊕	+	⊕
73.9	37.8	72.9	36.4	71.0

45° Ceiling Slope

90W PAR38 WFL(Wide Flood)				
+	+	+	+	+
20.7	19.8	19.1	18.0	15.8
⊕	+	⊕	+	⊕
26.2	25.4	24.7	22.9	20.5
+	+	+	+	+
30.3	30.0	28.7	27.1	24.2
⊕	+	⊕	+	⊕
34.9	35.3	33.3	32.1	28.4
+	+	+	+	+
39.7	38.1	38.4	35.0	32.5
⊕	+	⊕	+	⊕
44.6	39.6	43.4	37.1	37.2

Data calculated with GENESYS using bare lamp photometrics. Fixture spacing exceeding 5' may cause uneven lighting under lowest ceiling areas.

To convert lighting data for a lower wattage PAR 38 lamp of the **same type beam spread**, multiply the footcandle (or candlepower) values by the ratio of the lumens of the two lamps. The coefficients of utilization remain the same.

Job Information	Type:
------------------------	--------------

Lightolier a Genlyte Thomas Company www.lightolier.com
 631 Airport Road, Fall River, MA 02720 • (508) 679-8131 • Fax (508) 674-4710
 We reserve the right to change details of design, materials and finish.
 © 2004 Genlyte Thomas Group LLC (Lightolier Division) • A0504

LIGHTOLIER®