

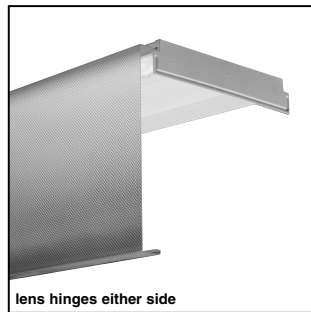
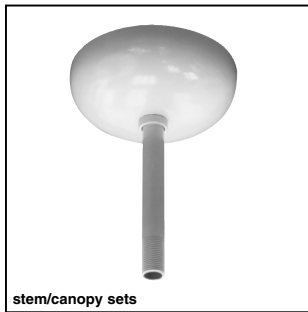
JETSTAR JS SERIES 14" WIDE

Features

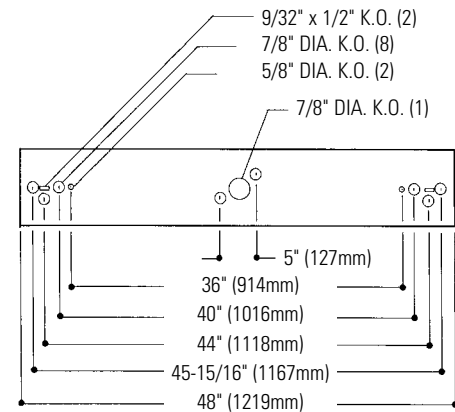
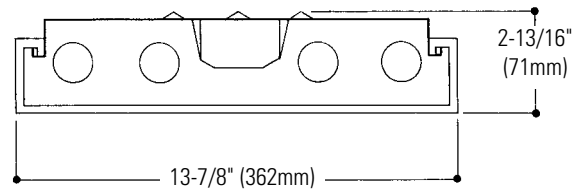
- Ideal for low ceiling height applications where recessed units cannot be used.
- 2-13/16" total depth.
- Step-back housing for an apparent depth of 1-3/4".
- Efficiency 74.3% (T8).
- A shallow profile and linear prismatic sides combine to reduce ceiling contrast.
- Virgin acrylic lens with one-piece extruded prismatic pattern 12 bottom and linear prism side walls.
- Shielding hinges from either side(self-leveling).
- Full-length ballast cover snaps-in, snaps-out (no tools).
- Individual or continuous row installations..
- Suitable for mounting on low-density cellulose fiberboard surfaces.
- Suitable for damp locations.



FEATURES



DIMENSIONS



| Job Information | Type: |
|-----------------------|-------|
| Job Name: | |
| Cat. No.: | |
| Lamp(s): | |
| Volts/Ballast: | |

Lightolier a Genlyte Thomas Company www.lightolier.com
 Technical Information: (978) 657-7600 • Fax (978) 658-0595
 631 Airport Road, Fall River, MA 02720 • (508) 679-8131 • Fax (508) 674-4710
 We reserve the right to change details of design, materials and finish.
 © 2002 Genlyte Thomas Group LLC (Lightolier Division)
 A0902 **Section 3A/Folio H96-5**

LIGHTOLIER®



JETSTAR JS SERIES 14" WIDE

PHOTOMETRY

MODEL NO. JS4B43212004

LER = FL - 73.0 Watts - 107 BF - .91

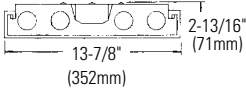
Comparative yearly lighting energy cost per 1000 lumens. = \$3.29

GT TESTING LABORATORY

45 Industrial Way
Wilmington, MA 01887
(978) 657-7600

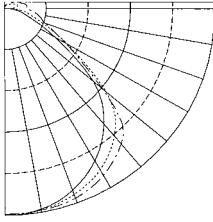
REPORT NO.: ITL41980 DATE.: 4/07/94
 PREPARED FOR: LIGHTOLIER
 CATALOG NO.: JS4B43212004
 LUMINAIRE: FABRICATED METAL HOUSING WITH WHITE PAINTED INTERIOR AND END.
 CLEAR WRAPAROUND PRISMATIC PLASTIC LENS.
 LAMPS: FOUR 32-WATT T-8 F32T8
 BALLAST: MAGNETEK TRIAD B432120RH
 MOUNTING: SURFACE
 TOTAL REFLECTANCE OF PAINT: 83.7%
 THE 0 DEGREE PLANE IS PARALLEL WITH THE LAMPS.
 TOTAL INPUT WATTS = 106.9 AT 120.0 VOLTS.
 LUMEN TO CANDELA RATIO USED = 9.17
 REPORT IS BASED ON 2900 LUMENS PER LAMP.
 TOTAL ILLUMINAIRE EFFICIENCY = 74.3%
 CANDELA DISTRIBUTION

| 0.0 | 45.0 | 90.0 | FLUX |
|-----|------|------|------|
| 0 | 2848 | 2848 | 2848 |
| 5 | 2852 | 2847 | 2840 |
| 15 | 2761 | 2792 | 2818 |
| 25 | 2567 | 2667 | 2741 |
| 35 | 2281 | 2457 | 2567 |
| 45 | 1875 | 2120 | 2248 |
| 55 | 1144 | 1349 | 1267 |
| 65 | 555 | 727 | 739 |
| 75 | 276 | 390 | 528 |
| 85 | 98 | 195 | 379 |
| 95 | 0 | 126 | 265 |



2-13/16\" data-bbox="400 235 438 255"/>
(71mm)

13-7/8\" data-bbox="325 250 365 265"/>
(352mm)



ZONAL LUMEN SUMMARY

| ZONE | LUMENS | %LAMP | %FIXT |
|--------|--------|-------|--------|
| 0- 30 | 2289 | 19.7 | 26.5 |
| 0- 40 | 3818 | 32.9 | 44.3 |
| 0- 60 | 6610 | 57.0 | 76.6 |
| 0- 90 | 7992 | 68.9 | 92.7 |
| 90-180 | 632 | 5.4 | 7.3 |
| 0-180 | 8624 | 74.3 | 100.00 |

LUMINANCE DATA IN CANDELA/SQ M

| ANGLE IN DEG | AVERAGE 0-DEG | AVERAGE 45-DEG | AVERAGE 90-DEG |
|--------------|---------------|----------------|----------------|
| 45 | 6251 | 6579 | 6901 |
| 55 | 4637 | 4950 | 4581 |
| 65 | 2984 | 3388 | 3374 |
| 75 | 2307 | 2599 | 3411 |
| 85 | 1976 | 2408 | 4413 |

THIS REPORT IS BASED ON PUBLISHED INDUSTRY PROCEDURES • FIELD PERFORMANCE MAY DIFFER FROM LABORATORY PERFORMANCE.

coefficients of utilization — zonal cavity method (effective floor cavity reflectance 0.20)

| | RF | | | RC | | | RW | | | |
|-------------------|----|----|----|----|----|----|----|----|----|----|
| | 20 | 50 | 80 | 20 | 50 | 80 | 20 | 50 | 80 | |
| room cavity ratio | 1 | 80 | 76 | 73 | 70 | 68 | 66 | 66 | 64 | 63 |
| | 2 | 73 | 67 | 62 | 62 | 58 | 55 | 58 | 55 | 53 |
| | 3 | 67 | 59 | 53 | 55 | 50 | 46 | 52 | 48 | 45 |
| | 4 | 61 | 53 | 46 | 49 | 44 | 40 | 46 | 42 | 39 |
| | 5 | 56 | 47 | 41 | 44 | 39 | 35 | 42 | 37 | 34 |
| | 6 | 52 | 42 | 36 | 40 | 34 | 30 | 38 | 33 | 30 |
| | 7 | 48 | 38 | 32 | 36 | 31 | 27 | 34 | 30 | 26 |
| | 8 | 45 | 35 | 29 | 33 | 28 | 24 | 32 | 27 | 24 |
| | 9 | 42 | 32 | 26 | 30 | 25 | 22 | 29 | 25 | 21 |
| | 10 | 39 | 30 | 24 | 28 | 23 | 20 | 27 | 22 | 19 |

ORDERING INFORMATION Explanation of Catalog Number. Example: JS4B43212004GLR

| | | | | | | | |
|---|--------------------------------|-------------------------------------|----------------------|--|-------------------------------|---|---|
| JS | 4 | B | 4 | | | | |
| JETSTAR: SURFACE LUMINAIRE | FIXTURE LENGTH: 4=4' | FIXTURE WIDTH: B=14" Wide | LAMP QUANTITY | LAMP: (By Others) 32=T8, 4' Length 34=T12, 4' Length | VOLTAGE: 120 or 277 | BALLAST TYPE: 2-2 Lamp Mag. T12 2-2 Lamp Elec. T8 1-4 Lamp Elec. T8 LOL Dimming T8 *Instant Start Standard Other dimming options. Consult factory. | OPTIONS: Add appropriate suffix to catalog no., ie: (GLR) |

OPTIONS & ACCESSORIES

CANOPY SPACER: Suspends fixture approximately 1-1/2" from surface. Order Catalog Number: **ASC CSP**.

STEM AND CANOPY SETS: Suspends fixture 6", 12", 18" or 24" from surface.

Catalog Number: **ASC6 CSP** (6"), **ASC12 CSP** (12"), **ASC18 CSP** (18"), **ASC24 CSP** (24").

FUSING: Internal fast-blow fusing.
 SUFFIX: **GLR**.
 Internal slow-blow fusing.
 SUFFIX: **GMF**.

SPECIFICATIONS

PERFORMANCE: In an installation of 4 lamp 32W luminaires in a room cavity ratio of 1, with reflectance of 80% ceiling, 50% wall, 20% floor, the C.U. shall not be less than .80. To reduce glare the average brightness at 65° shall not exceed 3388 footlamberts. To control veiling reflections, luminaire output in the 30° - 90° zone shall be not less than 66.4%.

SPECIFICATIONS (continued)

MATERIALS: Chassis parts are die-formed code gauge cold rolled steel.

Housing is reinforced for rigidity. **Reflector**—one-piece virgin acrylic.

FINISH: Chassis exterior—white baked polyester enamel. **Cavity**—white baked polyester enamel minimum reflectance 86%. Phosphate undercoating.

LENS: One-piece extruded prismatic pattern 12 bottom and linear prism side walls.

ELECTRICAL: Thermally protected class "P" ballast C.B.M. approved, non PCB. If K.O. is within 3" of ballast, use wire suitable for at least 90°.

LABELS: I.B.E.W./UL and C-UL.

Job Information Type:

Lightolier a Genlyte Thomas Company www.lightolier.com
 Technical Information: (978) 657-7600 • Fax (978) 658-0595
 631 Airport Road, Fall River, MA 02720 • (508) 679-8131 • Fax (508) 674-4710
 We reserve the right to change details of design, materials and finish.
 © 2002 Genlyte Thomas Group LLC (Lightolier Division)
 A0902 **Section 3A/Folio H96-5**

LIGHTOLIER