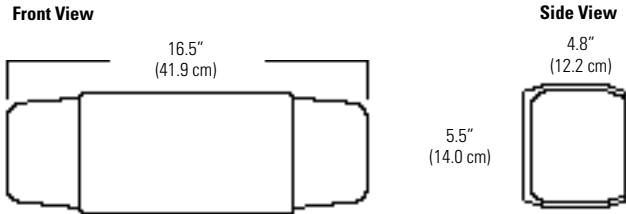




E2 Series Emergency Lighting **E22**

The E2 Series combines high wattage output with an attractive housing. Available with up to 72 watts, the E2 Series provides powerful emergency lighting suitable for the most discriminating interiors.



Complete Fixture consists of unit and two lamp reflector systems. Select options and accessories below.

How to Specify:

E2	2			
SERIES	VOLTAGE	BATTERY/ WATTAGE	LAMP TYPE^{1,2}	HOUSING COLOR
E2 = Thermoplastic Emergency Lighting Unit	2 = 12V	<u>Lead Calcium</u> 36L = 36W Unit 50L = 50W Unit 72L = 72W Unit <u>Nickel Cadmium</u> 50N = 50W Unit	<u>12V</u> T9 = Tungsten 9W T12 = Tungsten 12W T18 = Tungsten 18W H12 = Halogen 12W H20 = Halogen (MR16) 20W	W = White B = Black NOTES: 1) Selected lamp wattage cannot exceed unit output rating. 2) For additional lamp heads see RT66 Specification Sheet

Features

- 1. Illumination:** Includes two high performance lamp reflector systems integral to the housing. Each lamp reflector system can be adjusted 180° vertically and 90° horizontally.
- 2. Housing:** Constructed of impact resistant, UL 94 V-0, 5VA white or black thermoplastic. Easy to install with its snap-together backplate and housing.
- 3. Electronics:** 120/277 VAC dual voltage input with surge-protected, solid-state circuitry. Charging system is complete with low voltage disconnect, AC lockout, brownout protection, AC indicator lamp and test switch.
- 4. Battery:** Maintenance free, sealed lead calcium battery has an estimated service life of 5 years, and an operating temperature range of 65°F (19°C) to 85°F (30°C). Maintenance free, sealed nickel cadmium battery has an estimated service life of 10 years, and an operating temperature range of 20°F (-7°C) to 95°F (35°C).
- 5. Input Power Requirements:** 120 VAC - 0.36 amps (6v, 36w), 0.11 amps (12v, 36w); 277 VAC - 0.10 amps (6v, 36w), 0.04 amps (12v, 36w)

Code Compliance

UL 924 listed, UL damp location listing optional.

Options

- SD** = Self-Diagnostics
- SDTD** = Self-Diagnostics with Time Delay
- V** = Voltmeter (not available with Ammeter (A) option)
- A** = Ammeter (not available with Voltmeter (V) option)
- LCK1** = Line Cord (6', 120 VAC field installed)
- F1** = 120 VAC Fuse
- F2** = 277 VAC Fuse
- P1** = 120 VAC Power Switch
- P2** = 277 VAC Power Switch
- DC** = DCP Power Switch
- ST** = Special Input Transformer (specify voltage and frequency)
- DL** = UL Damp Location Listing (lead calcium only)

Multiple option configurations may void UL listing. Consult factory for specifics.

Accessories

- WG5** = Wire Guard
- PCS1** = Polycarbonate Vandal Shield

Job Information	Type:
Job Name:	
Cat. No.:	
Lamp(s):	
Notes:	

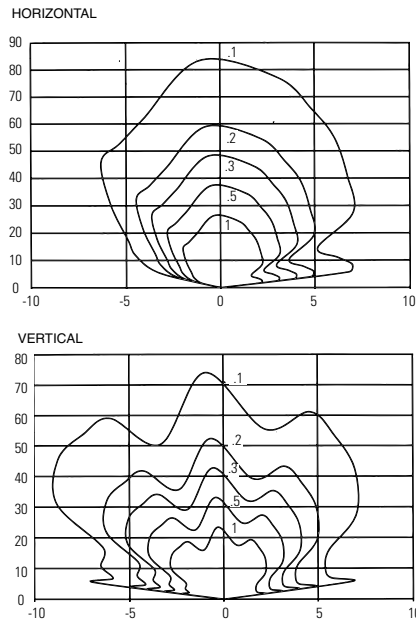
Lightolier a Genlyte Thomas Company www.lightolier.com
 631 Airport Road, Fall River, MA 02720 • (508) 679-8131 • Fax (508) 674-4710
 We reserve the right to change details of design, materials and finish.
 © 2002 Genlyte Thomas Group LLC (Lightolier Division) • C0303

LIGHTOLIER®

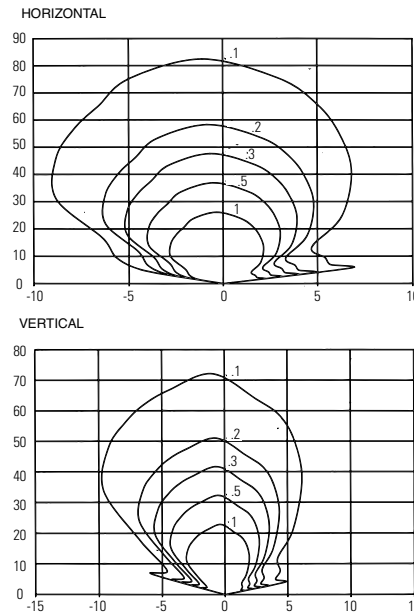


Lamp Head Photometrics

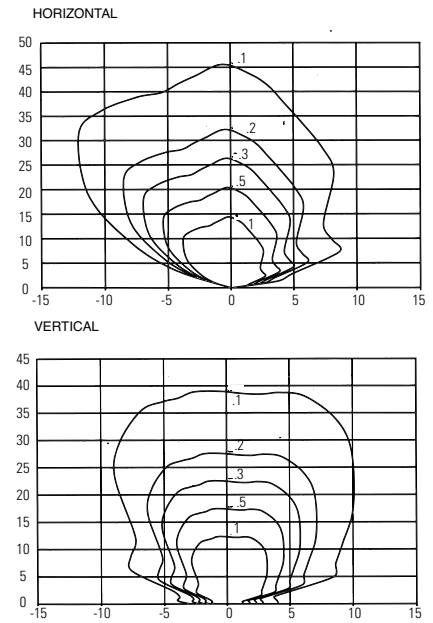
T9 - 12 Volt, 9 Watt, Tungsten



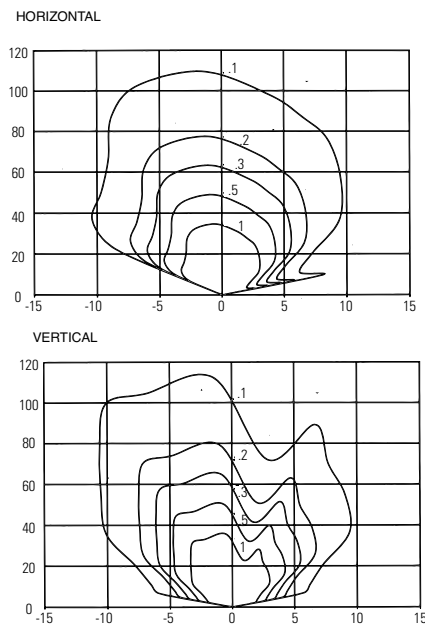
T12- 12 Volt, 12 Watt, Tungsten



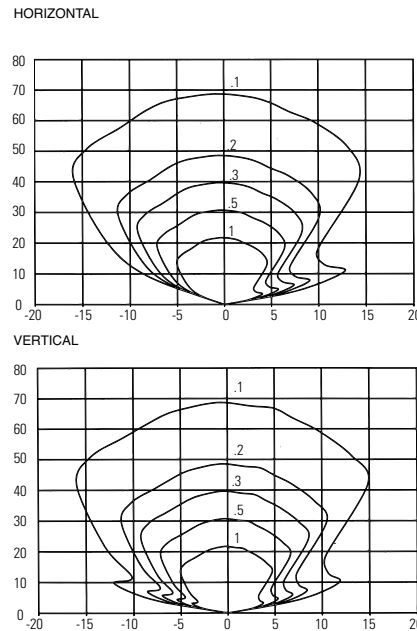
T18- 12 Volt, 18 Watt, Tungsten



H12 - 12 Volt, 12 Watt, Halogen



H20 - 12 Volt, 20 Watt, Halogen MR16



Unit Battery Capacity

DC Voltage	Unit	Suggested Lamp Head	Watts to 87½ of Rated Voltage*			
			1½ hrs.	2 hrs.	4 hrs.	8 hrs.
12	E2236L	T9	36.0	27.0	14.0	7.2
12	E2250L	T9	50.0	37.5	19.0	10.0
12	E2272L	T9	72.0	56.5	28.5	15.0
12	E2250N	T9	50.0	37.5	19.0	10.0

* Per NEC Specifications

Warranty

Electronics: 3 years
 Battery: 1 year full, 4 years pro-rata (lead calcium);
 5 year full, 5 years pro-rata (nickel cadmium)

Job Information

Type:

Lightolier a Genlyte Thomas Company www.lightolier.com
 631 Airport Road, Fall River, MA 02720 • (508) 679-8131 • Fax (508) 674-4710
 We reserve the right to change details of design, materials and finish.
 © 2002 Genlyte Thomas Group LLC (Lightolier Division) • C0303

LIGHTOLIER