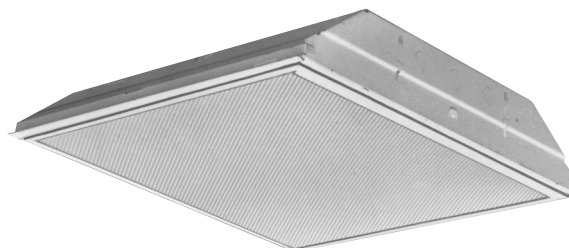


XT, XR XT/XR SERIES 2U4/2U6

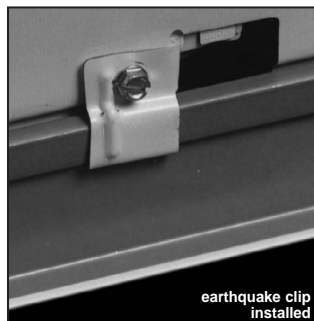
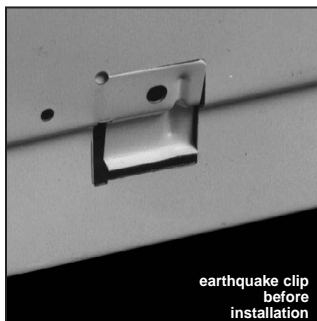
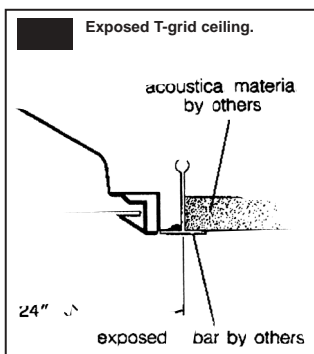
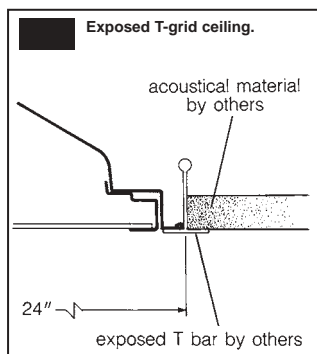
2'x2' RECESSED FLUORESCENT STATIC, FLAT STEEL LENS FRAME (XT)
 REGRESSED ALUMINUM LENS FRAME (XR), 2 LAMPS, T8 OR T12

Features

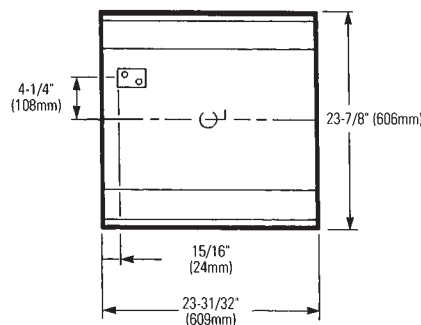
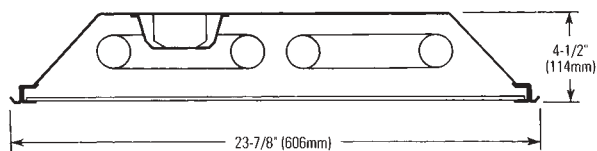
- Efficiency 61.6% (2U lamps).
- One piece housing.
- Only 4 1/2" nominal deep body.
- Flat steel full-size lens frame.
- Regressed extruded aluminum lens frame.
- Cam-action latches.
- UL-Listed twin knockout access plate for easy closed lens frame wiring.



MOUNTING METHODS



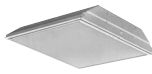
DIMENSIONS



Job Information	Type:
Job Name:	
Cat. No.:	
Lamp(s):	
Volts/Ballast:	

Lightolier a Genlyte Thomas Company www.lightolier.com
 Technical Information: (978) 657-7600 • Fax (978) 658-0595
 631 Airport Road, Fall River, MA 02720 • (508) 679-8131 • Fax (508) 674-4710
 We reserve the right to change details of design, materials and finish.
 © 2002 Genlyte Thomas Group LLC (Lightolier Division)
 A0902 SECTION 1A/Folio F50-12 REV. B

LIGHTOLIER®



XT, XR XT/XR SERIES 2U4/2U6

2'x2' RECESSED FLUORESCENT STATIC, FLAT STEEL LENS FRAME (XT)
REGRESSED ALUMINUM LENS FRAME (XR), 2 LAMPS, T8 OR T12

PHOTOMETRY

GT TESTING LABORATORY
45 Industrial Way
Wilmington, MA 01887
(508) 657-7600

REPORT NO.: G92078 DATE: 06-20-1992
CATALOG NO.: XT2GVA2U
LAMP(S): 2 FB40CW-6, EACH RATED 3000 LUMENS
LUMINAIRE: 2X2 TROF W/2U-LAMPS
FLT STL FRM & PAT #12 LENS
VOLTS: 120 WATTS: 83

CANDELA DISTRIBUTION

0	0	22.5	45.0	67.5	90.0	112.5	135.0	157.5	180.0	FLUX
0	1628	1628	1628	1628	1628	1628	1628	1628	1628	154
5	1614	1615	1615	1618	1623	1626	1622	1622	1618	154
15	1628	1638	1650	1672	1686	1684	1673	1662	1654	441
25	1353	1373	1418	1462	1486	1484	1469	1430	1420	682
35	1095	1118	1171	1240	1282	1274	1234	1199	1166	754
45	789	799	856	919	947	948	913	878	864	682
55	482	495	532	577	604	598	579	556	550	499
65	280	265	250	237	217	209	208	204	208	285
75	178	144	137	151	166	152	140	153	193	184
85	83	50	45	63	80	66	90	67	63	87
90	1	2	1	2	3	3	3	4	3	

ZONAL LUMEN SUMMARY

ZONE	LUMENS	%LAMP	%FIXT
0-30	1257	21.0	34.0
0-40	2011	33.5	54.4
0-50	3192	53.2	86.3
0-90	3898	61.6	100.0
90-180	0	0.0	0.0
0-180	3898	61.6	100.0

TOTAL LUMINAIRE EFFICIENCY = 61.8 %
TOTAL REFLECTANCE OF PAINT = 89.0 %
CIE TYPE - DIRECT

PLANE SPACING CRITERIA: 0-DEG 90-DEG 180-DEG
1.1 1.3 1.2

SHIELDING ANGLES: 90 90
LUMINOUS LENGTH: 21.500 21.500

LUMINANCE DATA IN FOOTLAMBERTS

ANGLE	AVERAGE	AVERAGE	
IN DEG	0-DEG	45-DEG	90-DEG
0	1693.	1693.	1693.
45	1094.	1195.	1311.
55	822.	908.	1031.
65	648.	579.	734.
75	466.	518.	703.
85	295.	505.	674.

THIS REPORT IS BASED ON PUBLISHED INDUSTRY PROCEDURES - FIELD PERFORMANCE MAY DIFFER FROM LABORATORY PERFORMANCE

MODEL NO. XT2GVA2U4120LE

coefficients of utilization — zonal cavity method

RF	20			20			20		
	RC	80	50	50	30	10	50	30	10
RW	70	50	30	50	30	10	50	30	10
1	68	66	63	62	60	59	59	58	57
2	63	59	55	56	53	50	54	51	49
3	58	53	48	50	47	44	48	46	43
4	54	47	43	45	41	38	44	41	38
5	50	43	38	41	37	33	39	36	33
6	46	39	33	37	33	30	36	32	29
7	43	35	30	33	29	26	33	29	26
8	39	31	26	30	26	23	29	26	23
9	36	28	23	27	23	20	27	23	20
10	34	26	21	25	21	18	24	20	18

visual comfort probability

room size		ceiling height				ceiling height			
W	L	8.5	10.0	13.0	16.0	8.5	10.0	13.0	16.0
20	20	65	69	76	82	62	66	72	78
20	30	57	61	67	63	55	59	64	69
20	40	54	56	61	66	52	54	58	62
20	60	50	53	56	60	48	51	53	57
30	20	66	70	75	80	64	68	72	78
30	30	58	62	66	71	56	60	63	68
30	40	53	56	60	64	52	54	58	61
30	60	50	52	54	58	48	51	52	55
30	80	49	51	51	55	47	49	49	52
40	20	67	71	76	80	66	70	74	78
40	30	59	63	67	71	58	61	65	68
40	40	54	57	60	64	53	56	58	61
40	60	51	53	54	57	49	51	52	55
40	80	49	51	51	54	47	49	49	52
40	100	49	50	49	51	47	48	48	49
60	30	60	64	67	71	59	63	66	69
60	40	55	58	60	64	54	57	59	62
60	60	51	53	54	57	50	52	53	56
60	80	50	51	50	53	48	49	49	52
60	100	49	50	49	51	47	48	47	49
100	40	59	60	62	66	58	60	61	64
100	60	54	56	56	59	53	55	55	58
100	80	52	53	52	54	51	52	51	53
100	100	51	51	50	52	50	50	49	50

ORDERING INFORMATION

Explanation of Catalog Number. Example: XT2GVA2U4120LEGLR

XT	2	G	VA	2				
Recessed Fluorescent with Flat Steel Lens Frame	FIXTURE WIDTH	CEILING TYPE: G = Grid (lay-in T-bar)	LENS/SHIELDING TYPE: VA = Virgin Acrylic (standard) see options and consult factory	LAMP QUANTITY	LAMP/ FIXTURE LENGTH: (Nominal 24") U4=6" U T12 or 1-5/8" U T8 U6=6" U T8	VOLTAGE: 120 or 277	BALLAST TYPE: LE=Magnetic (T12) OC=Magnetic (T8) SS=Electronic (T12) SO=Electronic (T8) DIM=Dimming (T12) PS=L.O.L Power Spec T8 Dimming Ballast	OPTIONS: Add appropriate suffix to catalog no. ie: (GLR)
XR= Recessed Fluorescent with Regressed Aluminum Lens Frame								

Options & Accessories

SPECIAL LENSES: Substitute **VB** for .125" nominal pattern 12 with 7.8 oz. average weight per square foot. Substitute **VI** for .125" nominal pattern 12 with 6.9 oz. average weight per square foot.

ACCESS PLATES: Top wiring access plate is shipped with fixture as standard. When access plates are required in advance for wiring convenience, specify separately. Order Catalog Number: **ACP CSP**.

ELECTRICAL/WIRING OPTIONS: Consult factory.

FUSING: Internal fast-blow fusing. SUFFIX: **GLR**.
Internal slow-blow fusing. SUFFIX: **GMF**.

RADIO INTERFERENCE FILTER 120 or 277 volt, 50 or 60 Hz. One per fixture is standard. SUFFIX: **RF**.

Specifications

PERFORMANCE: In an installation of 2 lamp 40 W luminaires in a room cavity ratio of 1, with reflectance of 80% ceiling, 50% walls, 20% floor, the C.U. shall not be less than .66. To reduce glare the VCP shall be not less than 50 either lengthwise or crosswise (at 100 fc level) and the average brightness at 65 shall not exceed 734 footlamberts. To control veiling reflections, luminaire output in the 30°-90° zone shall be not less than 66%.

MATERIALS: Chassis parts are die-formed code gauge cold rolled steel. Lens frames—(XT) flat full-size steel frame, (XR) regressed full-size aluminum frame.

Specifications (continued)

FINISH: Chassis exterior—white baked polyester enamel. Cavity—white baked polyester enamel minimum 86% reflectance. Phosphate undercoating.

LENS: Extruded virgin acrylic 3/16" square based female cones, running 45° to the panel edge, .095" nominal thickness (similar to pattern 12).

ELECTRICAL: Thermally protected class "P" ballast C.B.M. approved, non PCB. If K.O. is within 3" of ballast, use wire suitable for at least 90°.

LABELS: I.B.E.W. Listed by Underwriters Laboratories.

Job Information

Type:

Lightolier a Genlyte Thomas Company www.lightolier.com

Technical Information: (978) 657-7600 • Fax (978) 658-0595

631 Airport Road, Fall River, MA 02720 • (508) 679-8131 • Fax (508) 674-4710

We reserve the right to change details of design, materials and finish.

© 2002 Genlyte Thomas Group LLC (Lightolier Division)

A0902

SECTION 1A/Folio F50-12 REV. B

LIGHTOLIER