

**DAMMON**  
ENGINEERING, INC.

CHIEF ENGINEER  
EMMETT  
DAMMON, P.E.  
CHIEF ARCHITECT  
ROBERT  
WILTSE

1095 FLORIDA AVENUE  
SLIDELL, LA. 70458  
OFFICE: 985-649-5532  
FAX: 985-641-5950

WWW.DAMMONENGINEERING.COM  
EMAIL:  
DAMMONENG@BELLSouth.NET

ARCHITECTURE  
ENGINEERING  
STUDIES  
PLANNING  
INVESTIGATION  
EXPERT WITNESS

EL-BETHEL  
CHURCH

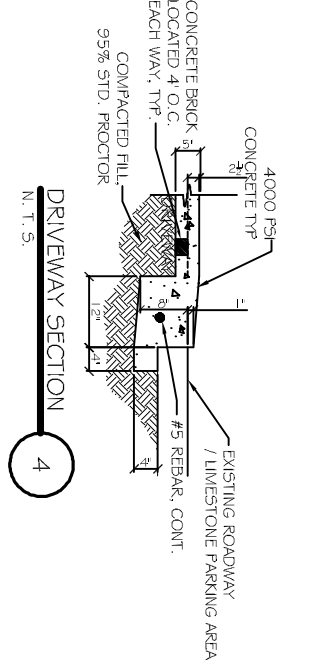
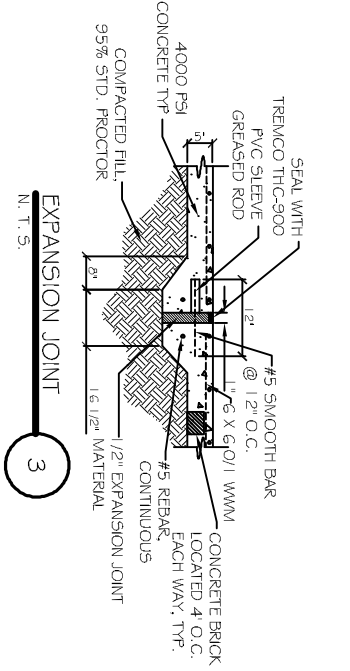
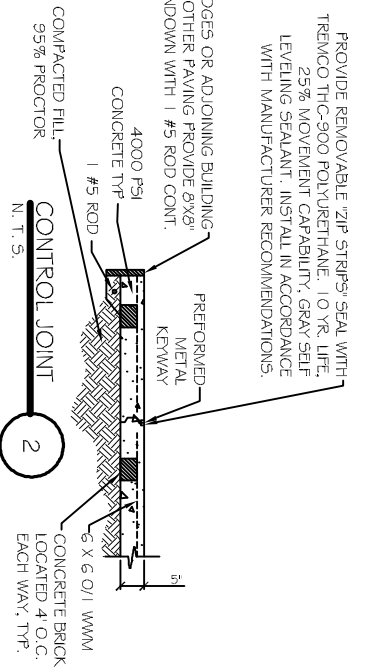
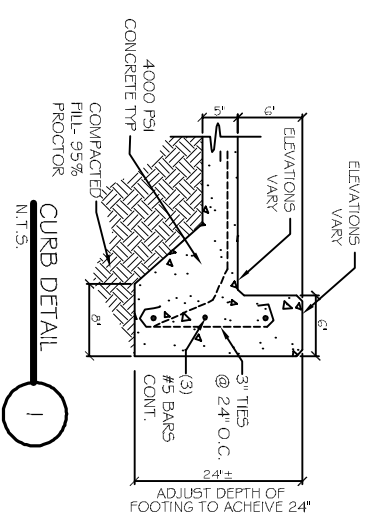
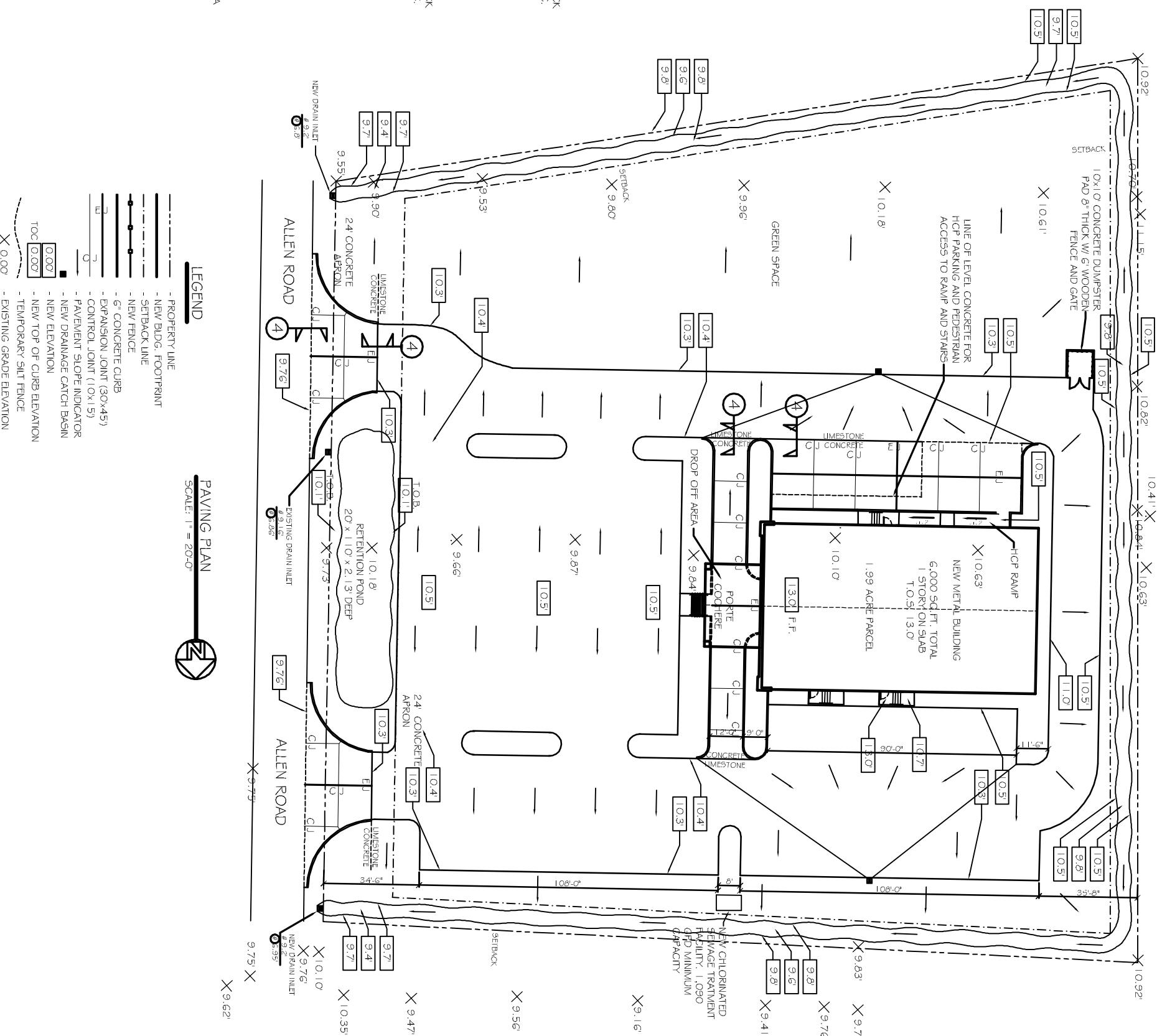
REV. EUGENE  
WELLINGTON  
ALLEN ROAD  
SLIDELL, LA  
70461

PAVING  
PLAN

REV:	
SCALE:	AS NOTED
JOB#:	1819A
DATE:	11-19-08
SHEET	3

C-2

OF 20



- LEGEND**
- PROPERTY LINE
  - NEW BLDG. FOOTPRINT
  - SETBACK LINE
  - NEW FENCE
  - 6" CONCRETE CURB
  - EXPANSION JOINT (30'x45')
  - CONTROL JOINT (10'x15')
  - PAVEMENT SLOPE INDICATOR
  - NEW DRAINAGE CATCH BASIN
  - NEW ELEVATION
  - NEW TOP OF CURB ELEVATION
  - TEMPORARY SILT FENCE
  - EXISTING GRADE ELEVATION

