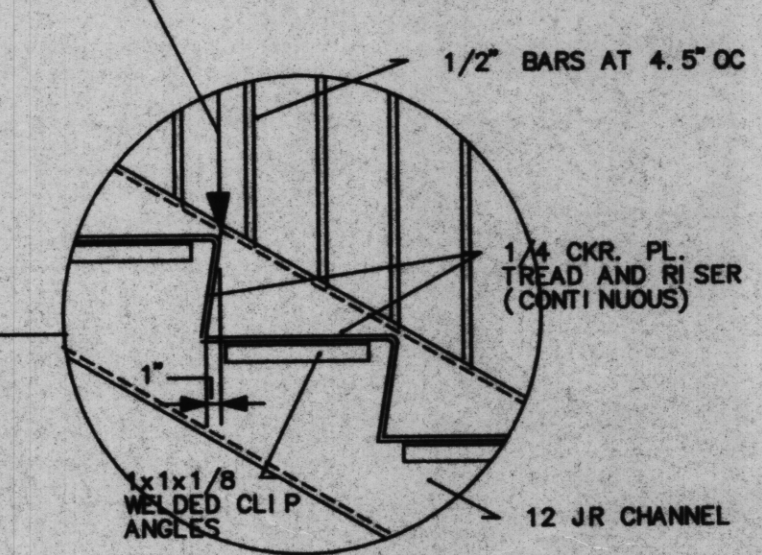
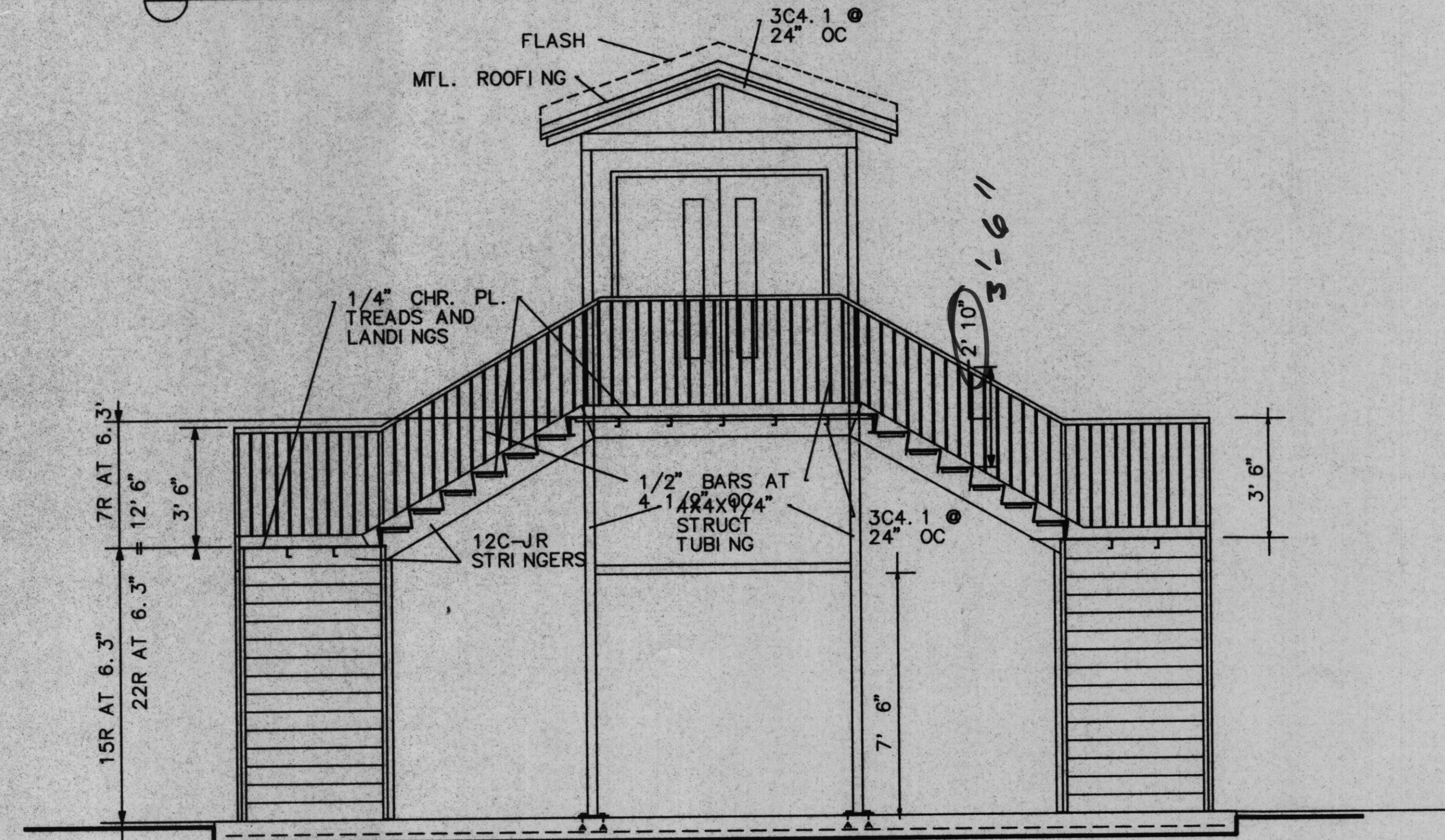


STAIR DET. @ WALL
3/4" = 1' 0"

TOP OF BANNISTER 42" ABOVE TOE OF STEP

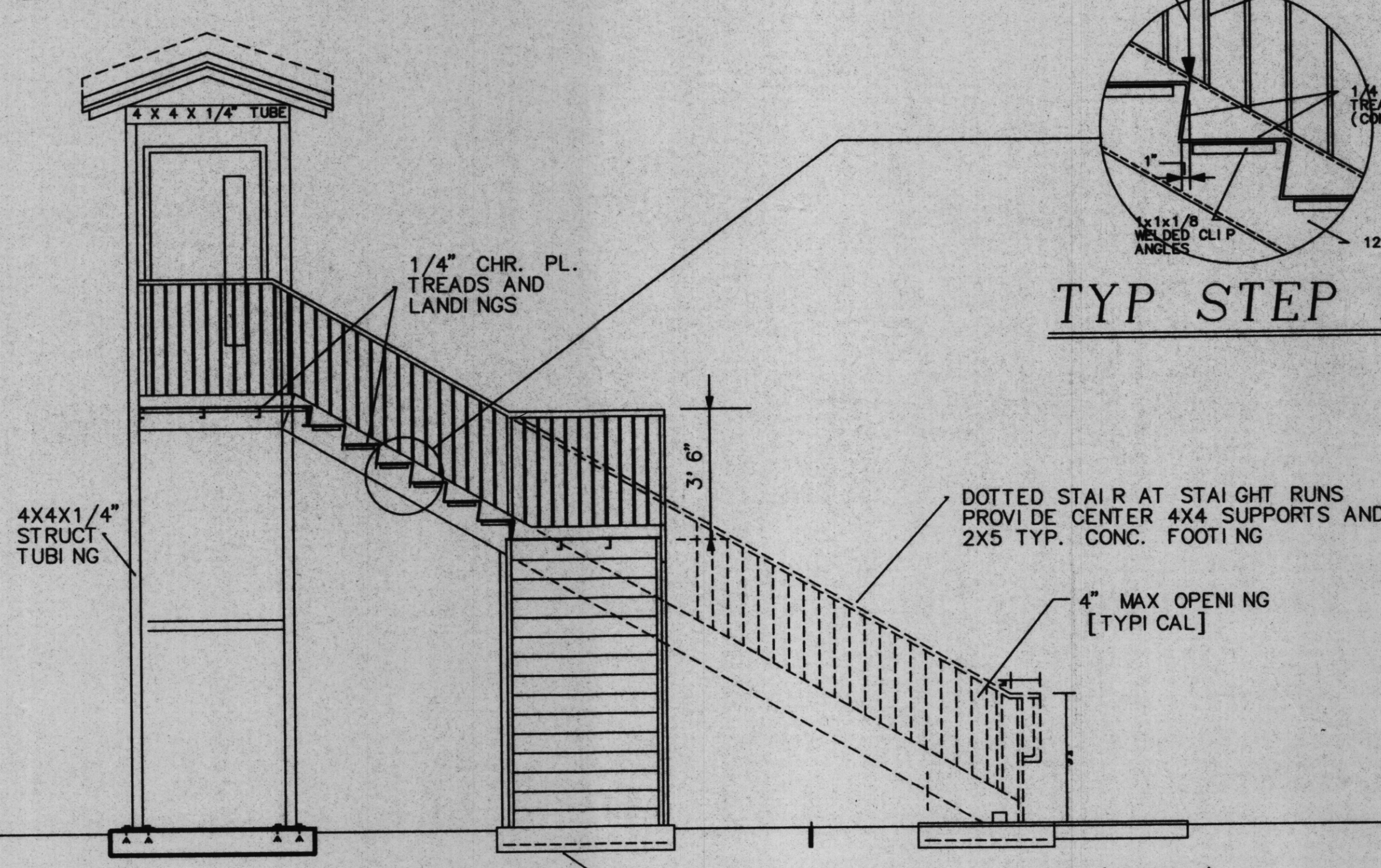


TYP STEP DET.



DBL. STAIR ELEV

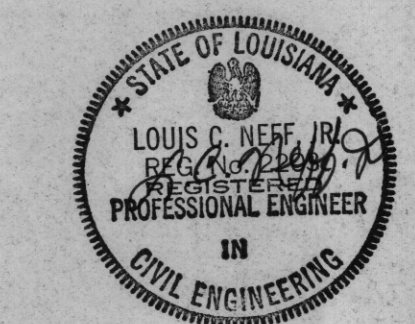
3/16" = 1' 0"



SGL. STAIR ELEV

3/16" = 1' 0"

EXTERIOR STAIRWAYS



BEN'S FORD BAPTIST CHURCH
BOGALUSA LOUISIANA

BEN'S FORD BAPTIST CHURCH
DAMMON ENGINEERING INC
ARCHITECTS - ENGINEERS
337 ROBERT ROAD, SUITE 1
SLIDELL, LA. 70458

PLAN VIEW & ELEVATIONS
EDUCATIONAL BUILDING

SCALE 1/8"=1'-0"

FILE

JOB NO.

DATE 4/9/98

SHEET

A-7

OF