

Dammon Engineering Inc.

1095 Florida Ave.
Slidell, LA 70458
(985) 649-5832
Fax: (985) 641-5950

FAX COVER SHEET

FAX NUMBER TRANSMITTED TO: 985-249-5707

TO: KEITH

FROM: BRANDON

CLIENT/MATTER: _____

REFERENCE: _____

DATE: 8-8-07 NO. OF PAGES INCLUDING COVER SHEET: 2

COMMENTS: _____

KEITH,

I RECEIVED THIS FAX TODAY, AND I WASN'T SURE IF YOU HAD THIS SENT TO ME OR IF IT WAS JUST SALES PITCH.

DO YOU KNOW THIS COMPANY?

BRANDON

IF YOU EXPERIENCE ANY PROBLEMS RECEIVING THIS FAX, PLEASE CALL (985) 649-5832,
OR FAX (985) 641-5950

Estimator

To Use On: Lakeshore Church / Covington LA

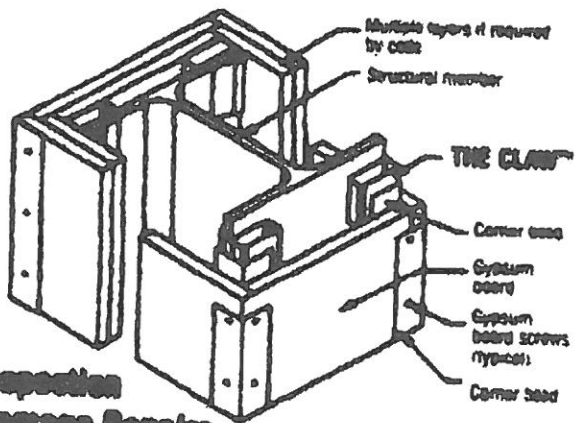
WRAP COLUMNS & BEAMS USING "THE CLAW" CLIP

Design Enhancement: THE CLAW™ Prevents Slippage During Installation

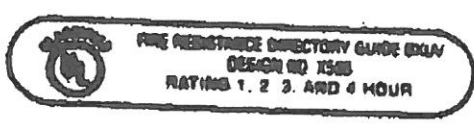
Fireproof Structural Steel Plus Create a "Finished Enclosure"
Both in a Single Step...Beams or Columns

BENEFITS:

- 1. Snap-on 12 clips by hand
- 2. No tools, bare hands!
- 3. 12 operations per column
- 4. Estimated time: 75 seconds per column
- 5. 50% less material
- 6. Very little loss of usable floor area



- No Inspection
- No Damage Repairs
- No Step to Clean Up
- 50% Less Material



AutoCAD on the website

Special Offer Online or Call for Details

www.theclaw.net

CLAW INTERNATIONAL (712) 239-7200
5309 HIGHWAY 75 NORTH, SUITE #112
SIOUX CITY, IA 51108