

EXISTING FRONT-EAST ELEVATION

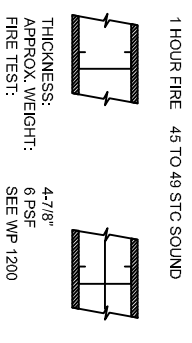
SCALE: 1/8"=1'

NEW FRONT-EAST ELEVATION

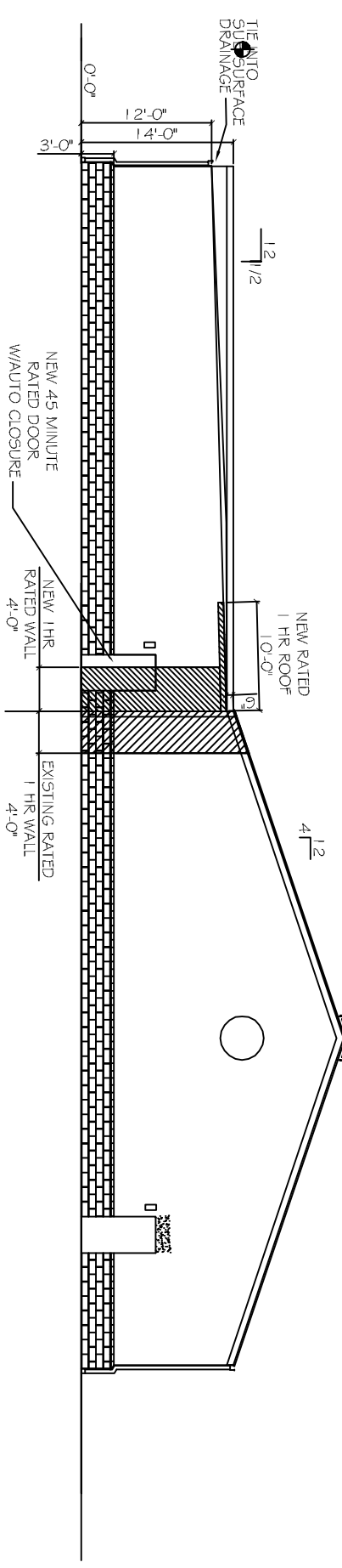
SCALE: 1/8"=1'

GA FILE NO. WP 1072 GENERIC

ONE LAYER 5/8" TYPE X GYPSUM WALLBOARD OR GYPSUM VENEER BASE APPLIED PARALLEL OR AT RIGHT ANGLES TO EACH SIDE OF 3-5/8" STEEL STUDS 24" O.C. WITH 1" TYPE S DRYWALL SCREWS 8" O.C. AT VERTICAL JOINTS AND 12" O.C. AT FLOOR AND CEILING RUNNERS AND INTERMEDIATE STUDS.
 JOINTS STAGGERED 24" ON EACH SIDE AND ON OPPOSITE SIDES. SOUND TESTED WITH 3-1/2" GLASS FIBER FRICTION FIT IN STUD SPACE. (NON-LOAD BEARING)



THICKNESS: 4-7/8"
 APPROX. WEIGHT: 6 PSF
 SEE WP 1200
 (FM WP-45 6-19-89);
 OSU 1-1770, 8-61-77;
 ULC 791484, 791500, 791497,
 8-12-81, ULC DESIGN W415)
 NRCC 816-NV, 2-3-81



REAR-WEST ELEVATION

SCALE: 1/8"=1'