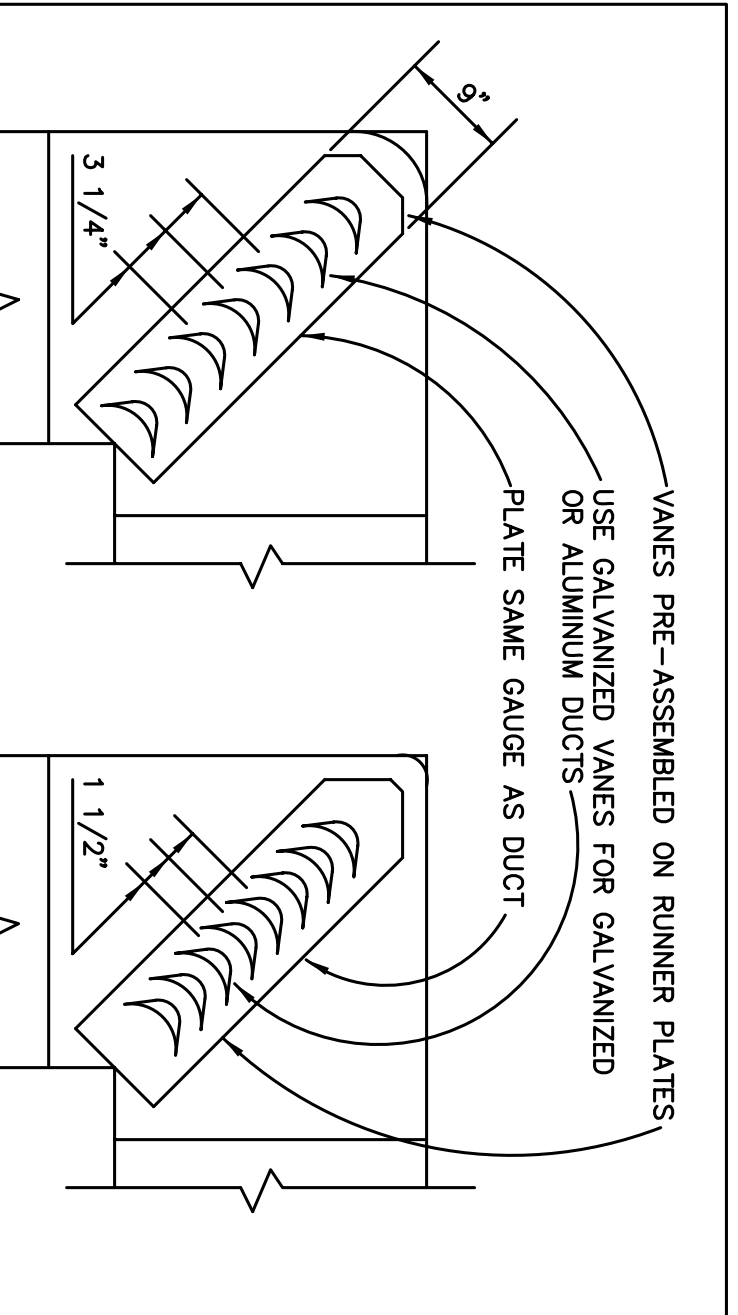


### GENERAL MECHANICAL NOTES

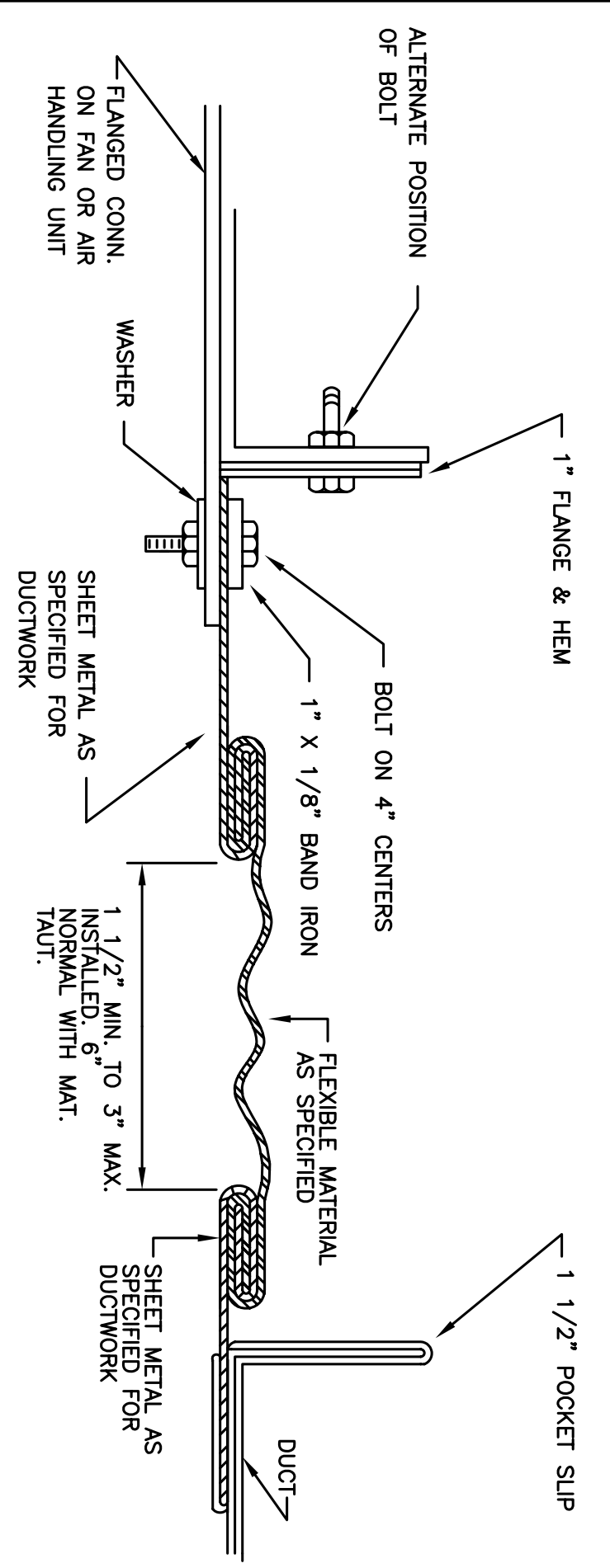
- All work and materials shall be in accordance with the applicable sections of the Louisiana State Building Code and local codes and ordinances.
- Obtain and pay for all permits, fees, inspections etc. as required for work under this contract.
- Ductwork shall be galvanized steel fabricated and installed in accordance with SMACNA hvac duct standards. Seal all joints with mastic duct sealant.
- Rectangular ductwork within 10' of fans shall be internally lined with 1-1/2" thick, 15 PCF acoustical duct liner.
- Note that the dimensions on the plans are net free internal dimensions. Increase the dimensions during fabrication to allow for the thickness of duct liner.
- Supply ductwork within the thermal envelope shall be insulated with equivalent R-6 insulation with vapor barrier jacket. Supply ductwork outside of the thermal envelope shall be insulated with equivalent R-8 insulation with vapor barrier jacket.
- Return ductwork within the thermal envelope is not required to be insulated. Return ductwork outside of the thermal envelope shall be insulated with equivalent R-8 insulation with vapor barrier jacket.
- Flexible ductwork shall be UL listed, helical wire reinforced film with vapor barrier jacket and a maximum c-factor of 0.23. Flexible ductwork shall be limited to 10' maximum length.
- Mitered elbows in ductwork shall be provided with double thickness turning vanes. Elbows shall be radiused 90° whenever possible. Mitered elbows are to be used only where space restrictions prevent the use of radiused elbows.
- Balance airflow to +/-.10% of the values specified on the plan. Submit a balance report, signed by the project manager, certifying that the balance was performed and the results are true and accurate.
- Seal all duct openings during construction to prevent dust and debris from accumulating inside the ductwork.
- Change air filters at project close-out to insure that clean filters are in place when the owner takes possession of the systems.
- Provide record drawings to the building owner within 90 days after the date of system acceptance. Record drawings shall include as a minimum, the location and performance data of each piece of equipment, general configuration of duct and pipe distribution systems including sizes, and the terminal air or water design flow rates.
- Provide an operating manual and a maintenance manual to the building owner within 90 days after the date of system acceptance.
- Warranty: all work, and materials for a minimum of one year from the date of acceptance by the owner. Refrigeration compressors shall carry an additional 4 years parts only warranty.

### MECHANICAL LEGEND

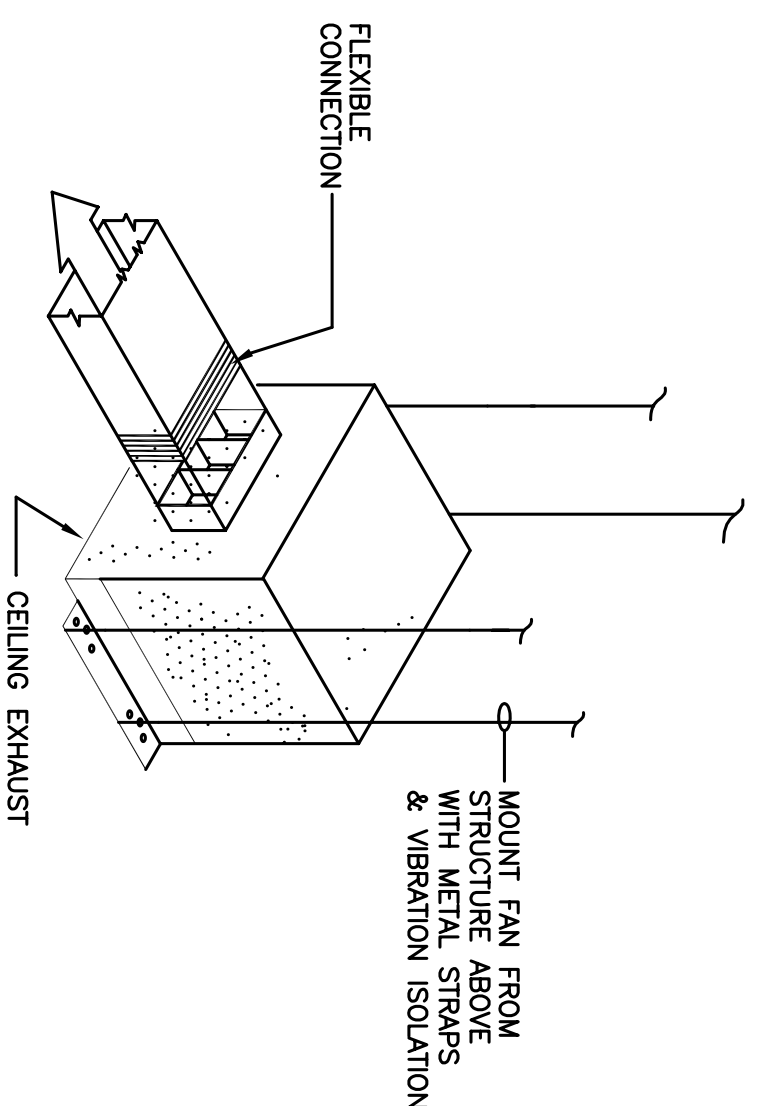
SUPPLY DIFFUSER (TYPE X, YYY CFM)	
RETURN GRILLE (TYPE X)	
RECTANGULAR DUCT X" WIDE, Y" DEEP (INSIDE CLEAR DIMENSION)	
ROUND DUCT X" DIAMETER (INSIDE CLEAR DIMENSION)	
DUCT TRANSITION: RECTANGULAR TO RECTANGULAR	
DUCT BRANCH TAP: ROUND SPIN-IN DAMPER	
THERMOSTAT - MOUNT 48" AFF	
MANUAL BALANCING DAMPER (MBD)	



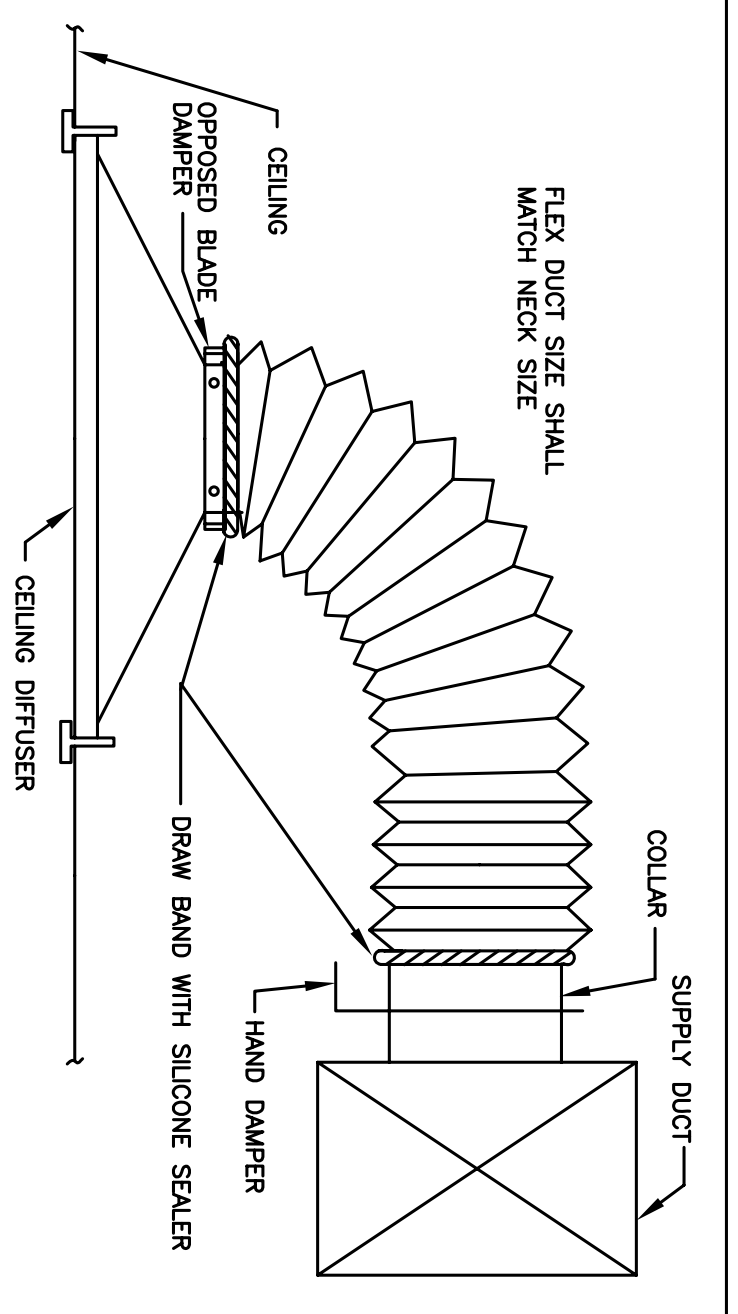
2 MITERED ELBOW  
SCALE: NONE



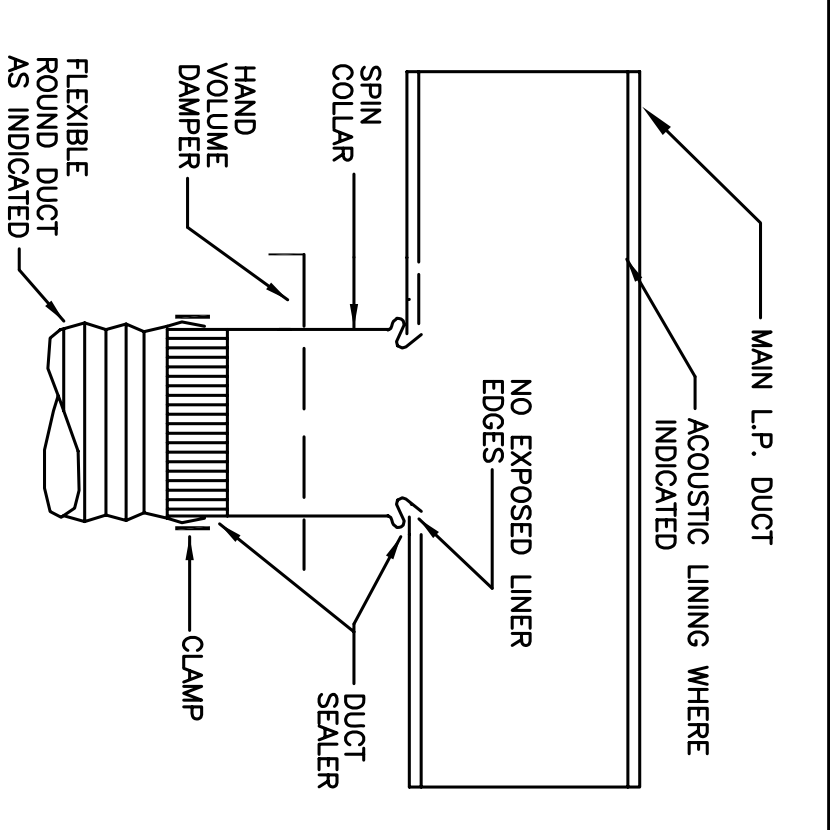
1 RECTANGULAR FLEXIBLE CONNECTION DETAIL  
SCALE: NONE



3 EXHAUST FAN DETAIL  
SCALE: NONE



4 TYPICAL DIFFUSER CONNECTION (SIDE OF DUCT CONNECTION)  
SCALE: NONE



5 TYPICAL DUCT TAKE-OFF  
SCALE: NONE

### MECHANICAL PLAN

BEULAHLAND BAPTIST CHURCH  
2436 ST. MAURICE AVENUE  
NEW ORLEANS, LA

**Church Interiors Inc.**  
The Nation's Leading Church Renovation Specialists.  
800 Eastchester Dr. - High Point, NC 27262  
(336) 889-0197 - FAX (336) 885-4949

Date: 10-11-07  
Dwg. By: BAC  
Ck. By: TAW  
File No.: 7.183  
Sheet

M1.1