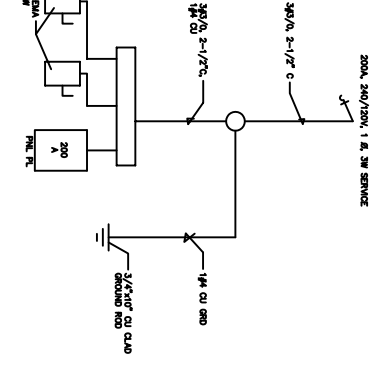
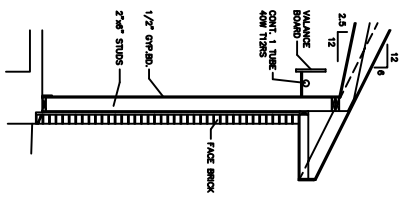


1 ELECTRICAL PLAN
1/4"=1'-0"

2 ONE LINE DIAGRAM
1/4"=1'-0"



3 SECTION
1/2"=1'-0"



REFERS TO SECTION 4/4-3

LEGEND

\$	- SWITCH	WPB	- WEATHER-ROOF OUTLET
3\$	- THREE-WAY SWITCH	○	- LIGHT
4\$	- FOUR-WAY SWITCH	□	- VENT/LIGHT
⊕	- DUPLEX OUTLET	⊕	- EXIT EXIT (BATTERY BACK-UP)
⊕	- GFI OUTLET	⊕	- TELEPHONE/COMPUTER/CABLE TV
		⊕	- POWER PANEL

- ELECTRICAL NOTES**
1. ALL WORK SHALL conform to the LATEST EDITION of the NATIONAL ELECTRICAL CODE, THE CURRENT EDITION of the NATIONAL FIRE ALARMING and FIRE PROTECTIVE ASSOCIATION (NFPA) CODE, and ALL OTHER APPLICABLE REGULATIONS.
 2. ALL MATERIALS FURNISHED SHALL BE NEW AND SHALL BE U.S. LISTED.
 3. THE CONTRACTOR SHALL BE RESPONSIBLE FOR OBTAINING ALL NECESSARY PERMITS AND APPROVALS FROM ALL APPLICABLE AGENCIES.
 4. THE CONTRACTOR SHALL BE RESPONSIBLE FOR OBTAINING ALL NECESSARY PERMITS AND APPROVALS FROM ALL APPLICABLE AGENCIES.
 5. ELECTRICAL CONNECTIONS SHALL CONFORM TO THE NATIONAL ELECTRICAL CODE AND ALL APPLICABLE REGULATIONS.
 6. ALL ELECTRICAL WORK SHALL BE INSTALLED IN ACCORDANCE WITH THE LATEST EDITION of the NATIONAL ELECTRICAL CODE AND ALL APPLICABLE REGULATIONS.
 7. THERE SHALL BE A MINIMUM OF ONE (1) INCH CLEARANCE BETWEEN ALL ELECTRICAL WORK AND ALL OTHER WORK.
 8. ALL ELECTRICAL WORK SHALL BE INSTALLED IN ACCORDANCE WITH THE LATEST EDITION of the NATIONAL ELECTRICAL CODE AND ALL APPLICABLE REGULATIONS.
 9. ALL ELECTRICAL WORK SHALL BE INSTALLED IN ACCORDANCE WITH THE LATEST EDITION of the NATIONAL ELECTRICAL CODE AND ALL APPLICABLE REGULATIONS.
 10. ALL ELECTRICAL WORK SHALL BE INSTALLED IN ACCORDANCE WITH THE LATEST EDITION of the NATIONAL ELECTRICAL CODE AND ALL APPLICABLE REGULATIONS.
 11. ALL ELECTRICAL WORK SHALL BE INSTALLED IN ACCORDANCE WITH THE LATEST EDITION of the NATIONAL ELECTRICAL CODE AND ALL APPLICABLE REGULATIONS.
 12. ALL ELECTRICAL WORK SHALL BE INSTALLED IN ACCORDANCE WITH THE LATEST EDITION of the NATIONAL ELECTRICAL CODE AND ALL APPLICABLE REGULATIONS.
 13. ALL ELECTRICAL WORK SHALL BE INSTALLED IN ACCORDANCE WITH THE LATEST EDITION of the NATIONAL ELECTRICAL CODE AND ALL APPLICABLE REGULATIONS.
 14. ALL ELECTRICAL WORK SHALL BE INSTALLED IN ACCORDANCE WITH THE LATEST EDITION of the NATIONAL ELECTRICAL CODE AND ALL APPLICABLE REGULATIONS.
 15. ALL ELECTRICAL WORK SHALL BE INSTALLED IN ACCORDANCE WITH THE LATEST EDITION of the NATIONAL ELECTRICAL CODE AND ALL APPLICABLE REGULATIONS.
 16. ALL ELECTRICAL WORK SHALL BE INSTALLED IN ACCORDANCE WITH THE LATEST EDITION of the NATIONAL ELECTRICAL CODE AND ALL APPLICABLE REGULATIONS.
 17. ALL ELECTRICAL WORK SHALL BE INSTALLED IN ACCORDANCE WITH THE LATEST EDITION of the NATIONAL ELECTRICAL CODE AND ALL APPLICABLE REGULATIONS.
 18. ALL ELECTRICAL WORK SHALL BE INSTALLED IN ACCORDANCE WITH THE LATEST EDITION of the NATIONAL ELECTRICAL CODE AND ALL APPLICABLE REGULATIONS.
 19. ALL ELECTRICAL WORK SHALL BE INSTALLED IN ACCORDANCE WITH THE LATEST EDITION of the NATIONAL ELECTRICAL CODE AND ALL APPLICABLE REGULATIONS.
 20. ALL ELECTRICAL WORK SHALL BE INSTALLED IN ACCORDANCE WITH THE LATEST EDITION of the NATIONAL ELECTRICAL CODE AND ALL APPLICABLE REGULATIONS.