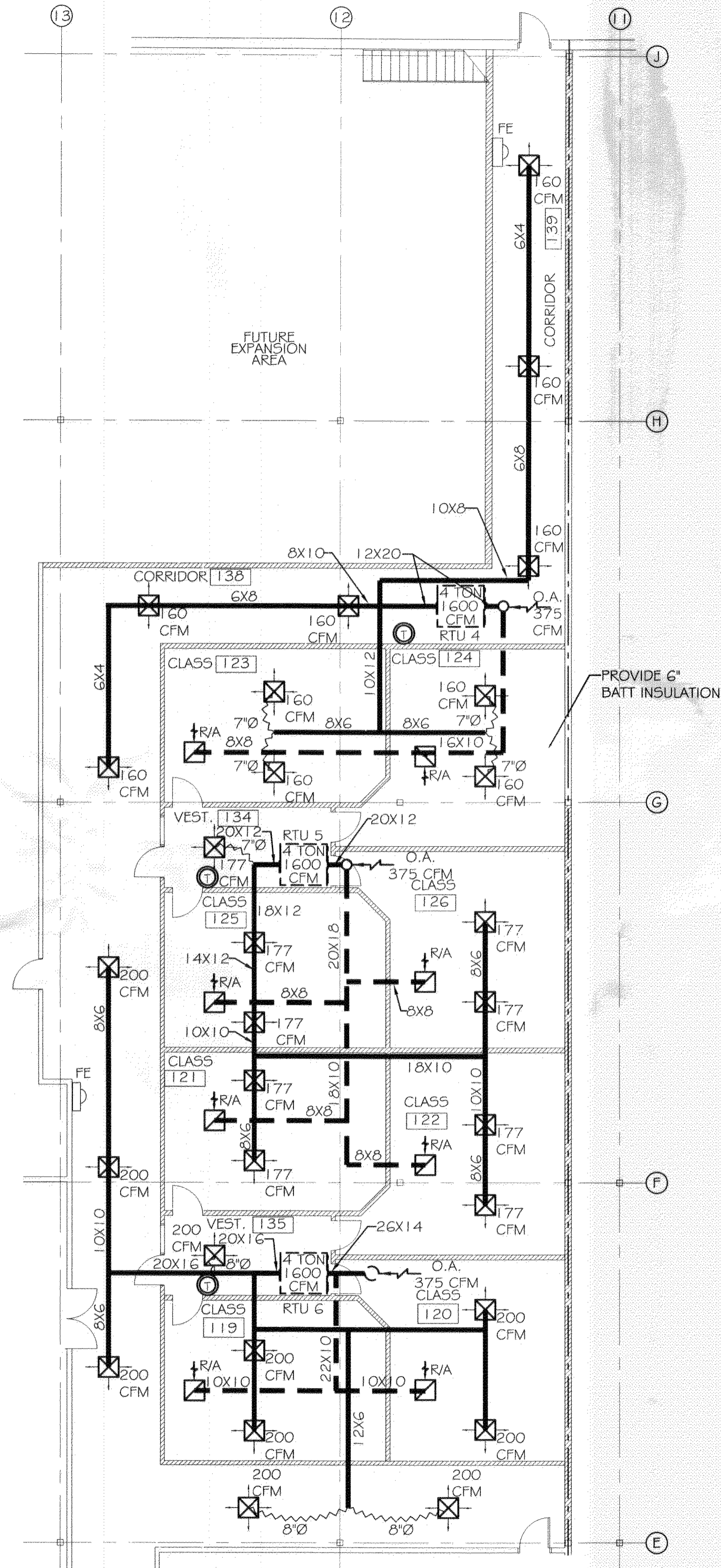
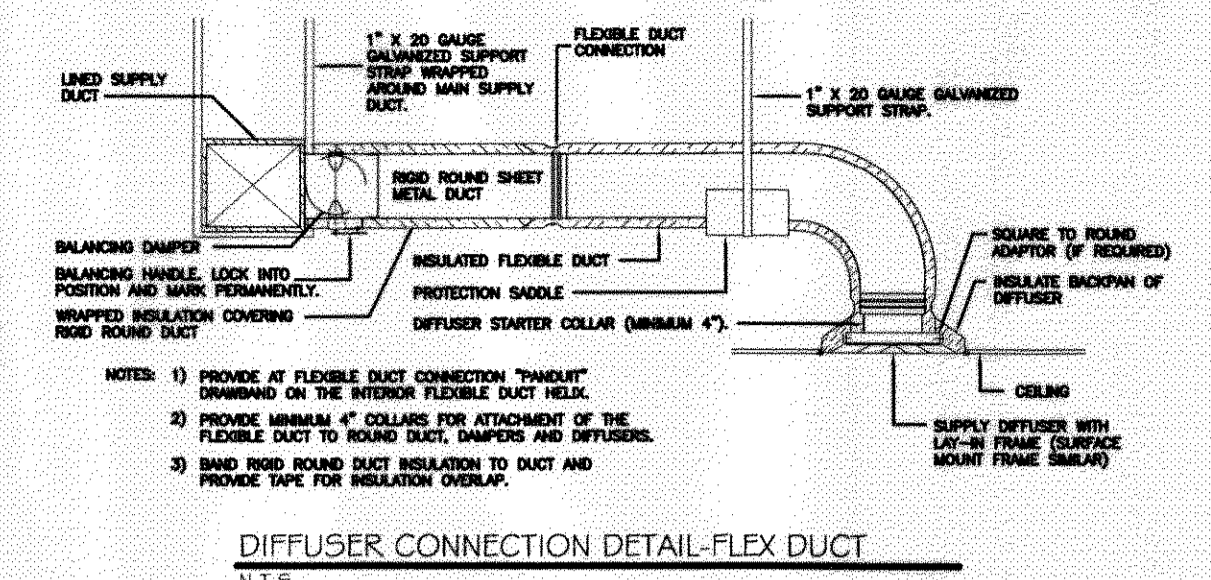


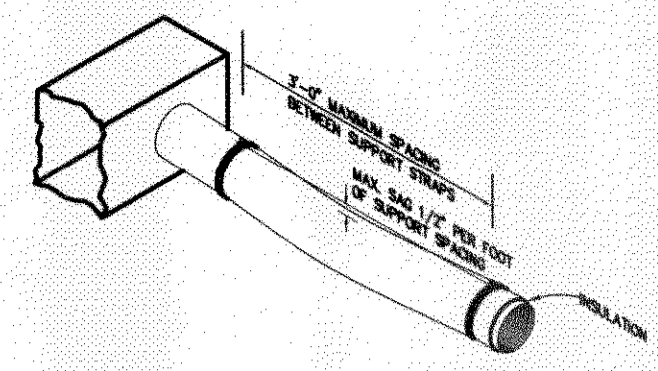
**MECHANICAL KEY PLAN**  
N. T. S.



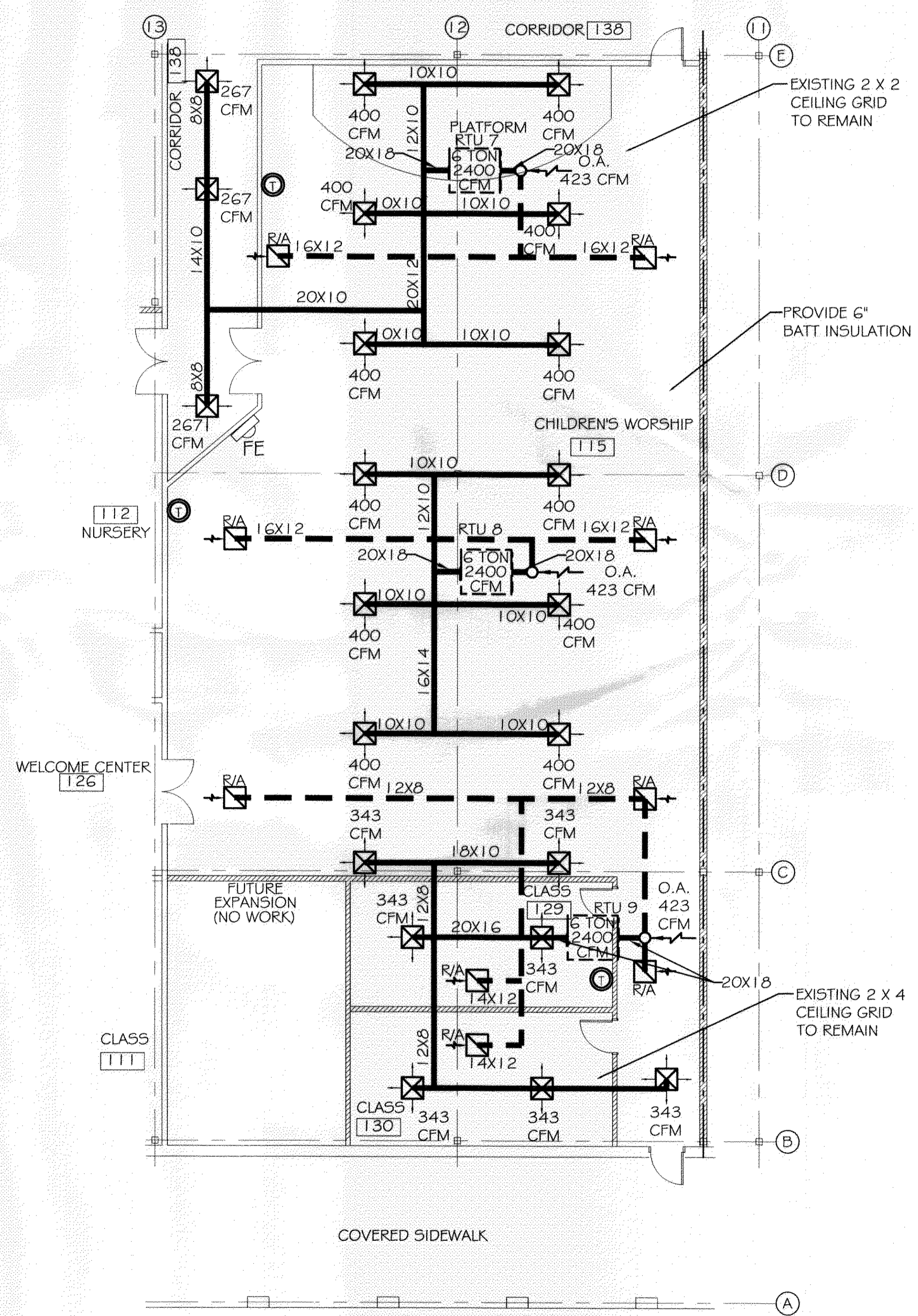
**ZONE 2 MECHANICAL PLAN**  
SCALE: 1/8" = 1'-0"



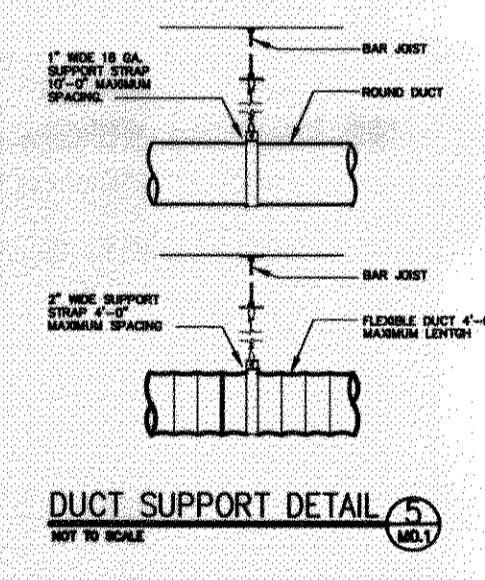
**DIFFUSER CONNECTION DETAIL-FLEX DUCT**  
N.T.S.



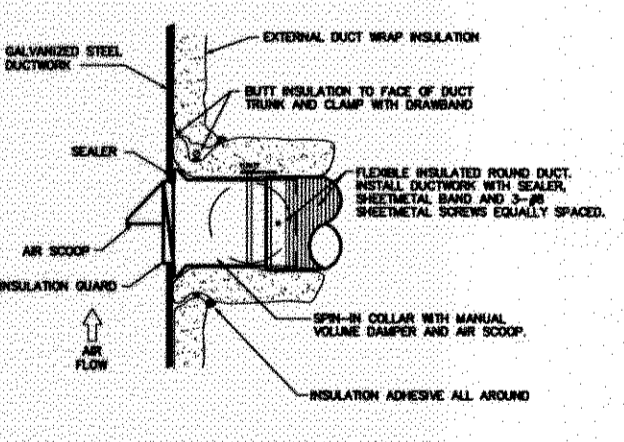
**FLEX DUCT SUPPORT DETAIL**  
N.T.S.



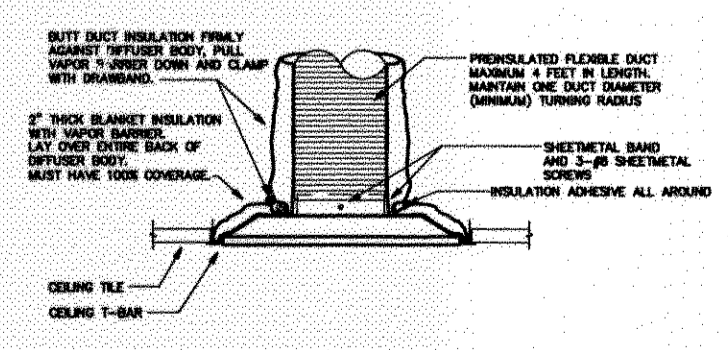
**ZONE 3 MECHANICAL PLAN**  
SCALE: 1/8" = 1'-0"



**DUCT SUPPORT DETAIL**  
N.T.S.



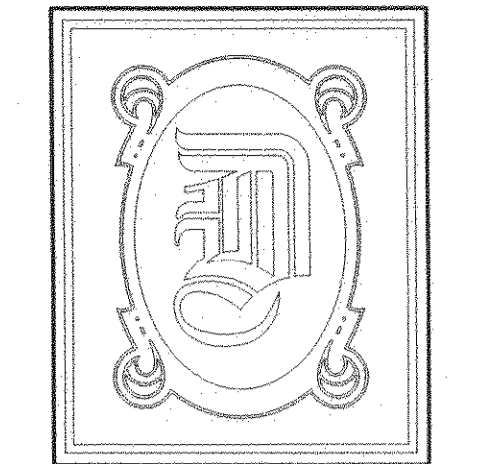
**ROUND DUCT SPIN-IN DETAIL**  
N.T.S.



**LAY IN DIFFUSER DETAIL**  
N.T.S.

- SUPPLY AIR DUCT
- - - RETURN AIR DUCT
- - - EXHAUST DUCT
- ~ ~ ~ ROUND FLEXIBLE DUCT
- ⊠ - 24 X 24 SUPPLY AIR GRILLE
- ⊠ - 24 X 24 RETURN AIR GRILLE
- ⊙ - THERMOSTAT
- - VENT

367234  
REVIEWED FOR  
STATE FIRE MARSHAL  
AS PER REVIEW LETTER  
BY LAWRENCE J. DELANE, ARCHITECT, 680



**DAMMON ENGINEERING, INC.**

CHIEF ENGINEER  
EMMETT  
DAMMON, P.E.

CHIEF ARCHITECT  
ROBERT  
WILTSE

1095 FLORIDA AVENUE  
SLIDELL, LA. 70458  
OFFICE: 985-649-5832  
FAX: 985-641-5950

WEBSITE:  
WWW.DAMMONENGINEERING.COM

EMAIL:  
DAMMONENG@BELL.SOUTH.NET

- ARCHITECTURE
- ENGINEERING
- STUDIES
- PLANNING
- INVESTIGATION
- EXPERT WITNESS

NORTHSHORE  
CHURCH  
KENSINGTON DR.  
SLIDELL, LA

ZONES 2 & 3  
MECHANICAL  
PLAN

REV: #1 06-08-09

SCALE: AS NOTED

JOB#: 1988

DATE: 09-30-08

SHEET

M-2

OF