

SUPERIOR FIBERGLASS, INC.

Quotation

P.O. Box 1989
 Jacksonville, TX 75766
 Phone 800-527-8438
 903-586-7547
 Fax

DATE: 02/07/2011
 QUOTE #: 0000009510
 CUSTOMER: Mansfi

TO:

KB Kaufmann & Co
 Michael Weilbacher
 3173 Terrace Ave E
 Slidell, LA 70458

SHIP TO:
 Ship To ID:
 First Baptist Church
 Pearl River, LA 70452

Phone: 985-649-7381 Fax: 985-649-7679
 email: michael.weilbacher@kbkaufmann.com

Phone: - Fax: -

TERMS
 25% Deposit COD Cashier's Check

SHIP VIA
 BEST WAY

SALES PERSON
 Monica Garrett

ITEM	DESCRIPTION	QTY	PRICE	EXTENSION
955	Baptistry, Double Entry Overall Size: 3'7" X11'7" X3'6" Deep With View Window 10"X60" 5 Year Limited Warranty. Color Choice (Circle): White Off-White Sand Colonial Cream Aqua Blue Fully Automatic Pkg AF2900 remote fill valve system, BES6005-11kw heater w/circulating pump & connections remote air button switch, & AD2900 electric drain. ETL listed. 1 year Limited Warranty. This quote is valid for a period of 30 days.	1.00	1,350.00	1,350.00
HP3-11		1.00	1,260.00	1,260.00
			Sales Total	2,610.00
			Freight	400.00
			TOTAL	3,010.00

Please do not include any state or local taxes (if applicable) unless specifically stated above. If shipped on Motor Freight, additional fees and charges will apply. **TERMS OF SALE:** 25% deposit of total due at time of order placement (50% deposit on custom orders) and balance due on delivery with certified funds. A 2% cash discount may be deducted from total for payment in full at time of order placement. **All Sales Final.** To place an order for product(s) above, please sign a copy of this quotation form and return with the delivery information sheet, approved drawings, and your advance payment.

Accepted by: _____ Date: _____

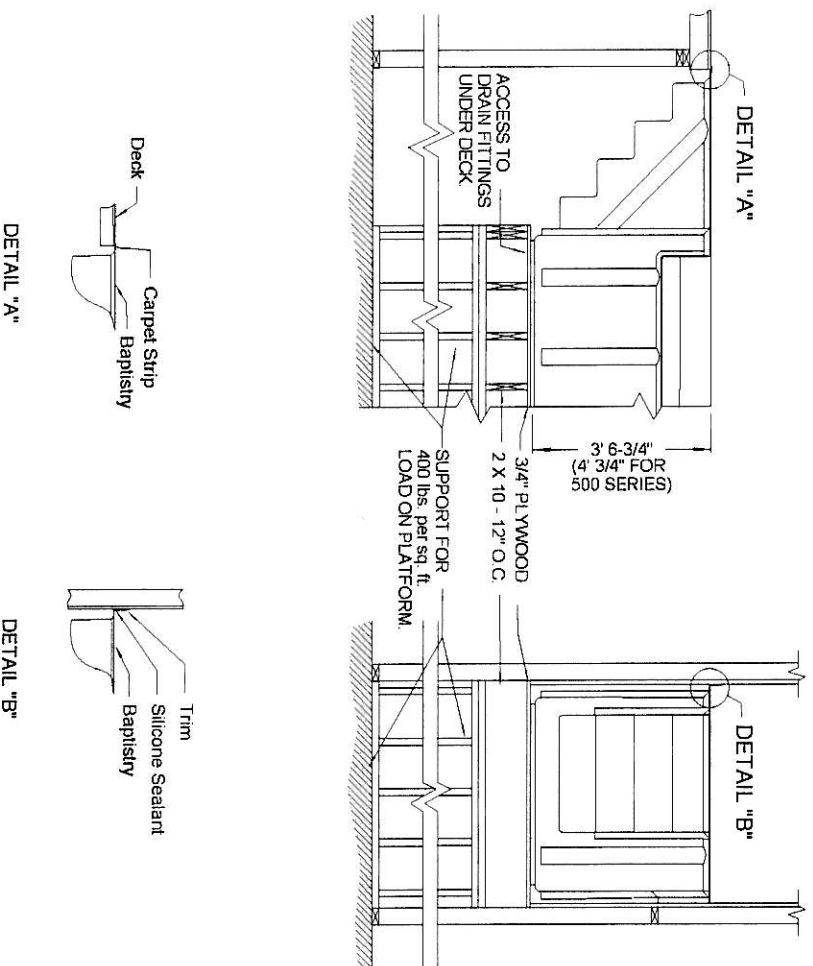
Date Needed: _____ Earliest date you can take delivery: _____

BAPTISTRY INSTALLATION

INSTALLATION

Each baptistry installation is a unique project as details vary from one site to another. However, the following requirements are typical in any application:

- Baptistry should sit on a flat platform with sufficient support for loads.
- All joints at the top lip should be butt joints (baptistry lip should not carry any load).
- Access should be provided at drain location for plumbing connections below the baptistry.
- Finish around baptistry lip can be completed with standard trim materials such as carpet strip, shoe mold, etc.
- Access to baptistry exterior must be provided for plumbing and heating equipment.



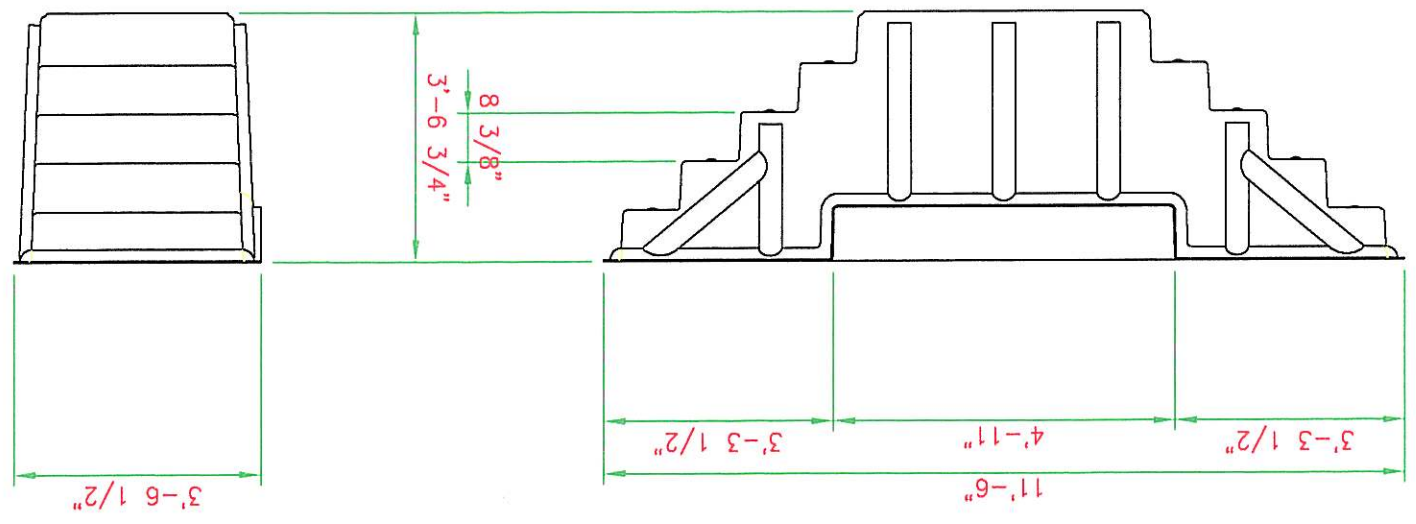
SUPERIOR FIBERGLASS, INC.

P.O. Box 1989
Jacksonville, TX 75766

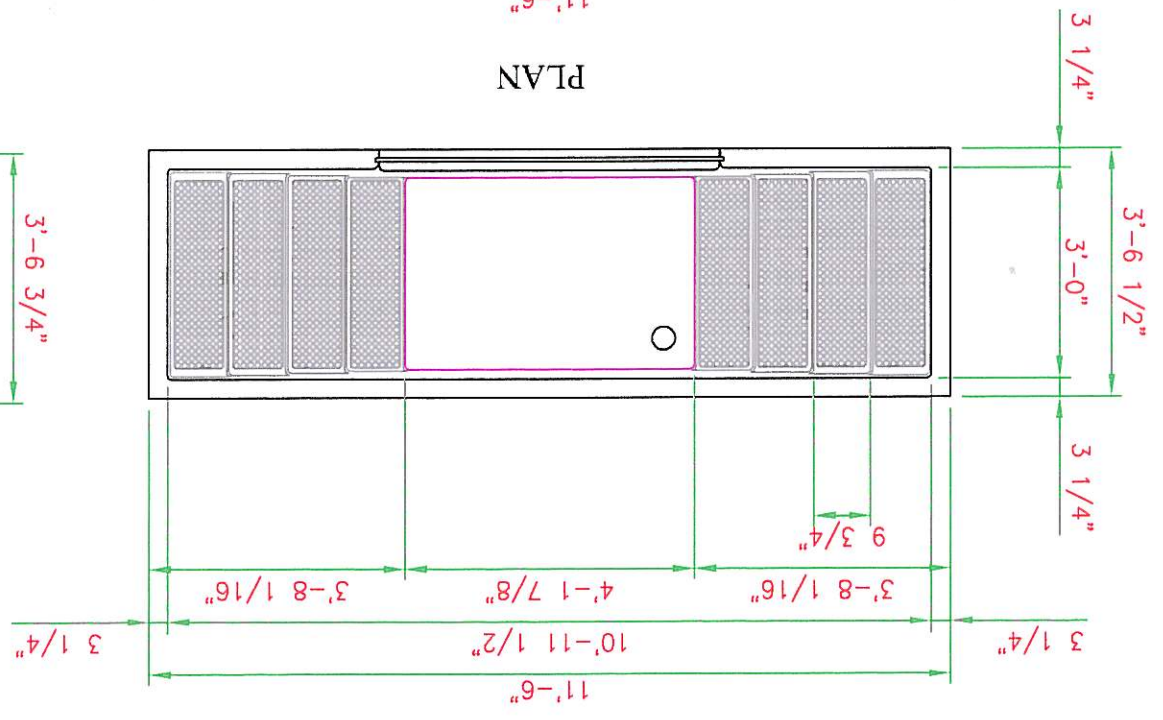
800-527-8438 or FAX 903-586-7547
www.superiorfiberglass.com

SUPERIOR FIBERGLASS, INC.
 P.O. BOX 1989
 JACKSONVILLE, TX. 75766
 1-800-527-8438
 www.superiorfiberglass.com
 MODEL No. 955
 DWG. No. 9550103
 REV. No. 0

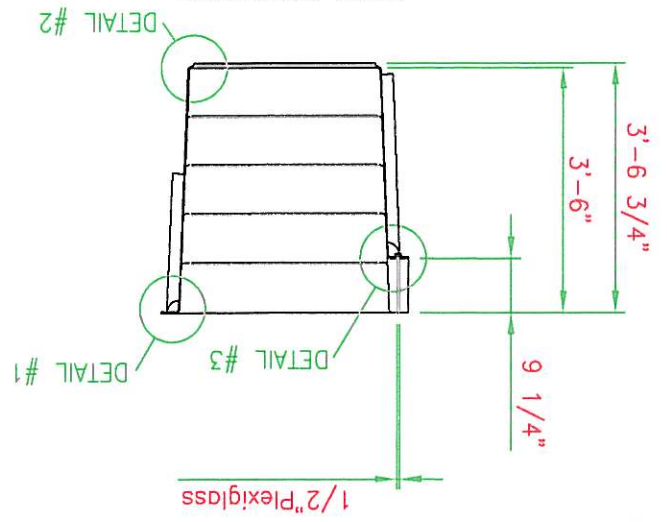
ELEVATIONS



PLAN



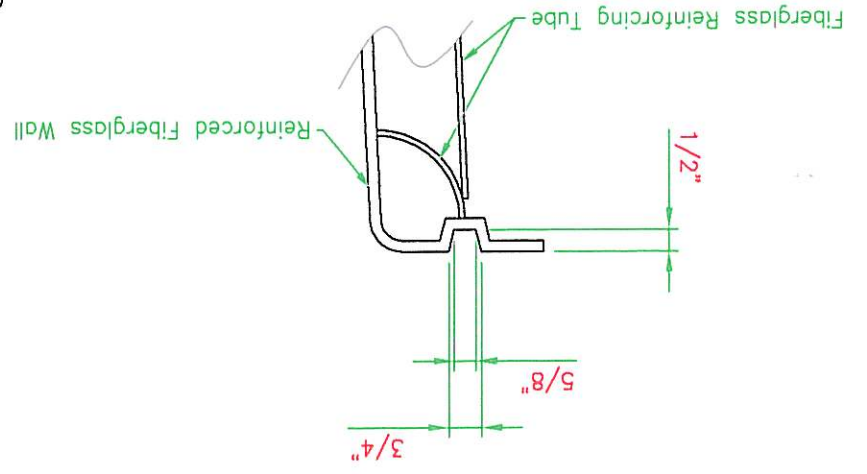
TYP. SECTION



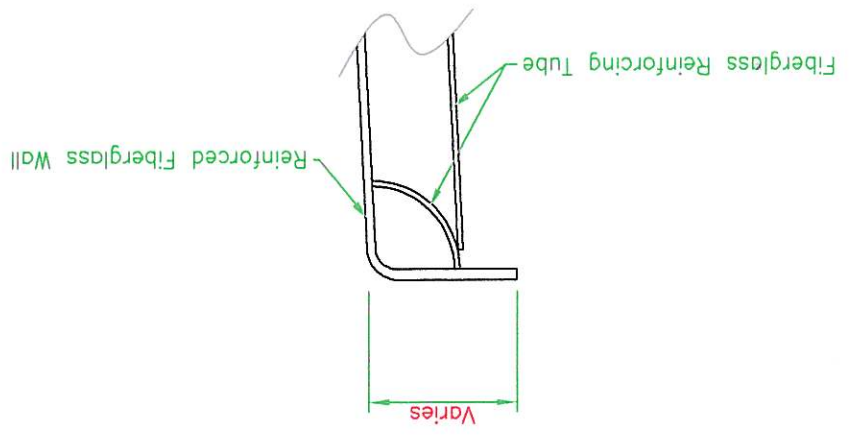
SUPERIOR FIBERGLASS, INC.
 P.O. BOX 1989
 JACKSONVILLE, TX. 75766
 1-800-527-8438
 www.superiorfiberglass.com

MODEL No. **DETAILS**
 DWG. No. **D010103**
 REV. No. **0**

DETAIL # 3
TYPICAL WINDOW FRAME



DETAIL # 1
TYPICAL TOP LIP



DETAIL # 2
TYPICAL BASE

