

DAMMON ENGINEERING, INC.

CHIEF ENGINEER
EMMETT DAMMON, P.E.

CHIEF ARCHITECT
ROBERT WILTSE

554 OLD SPANISH TRAIL
SLIDELL, LA. 70458
OFFICE: 985-649-5832
FAX: 985-641-5950

WEBSITE:
WWW.DAMMONENGINEERING.COM

EMAIL:
DAMMONENG@BELLSOUTH.NET

ARCHITECTURE
ENGINEERING
STUDIES
PLANNING
INVESTIGATION
EXPERT WITNESS

LIVING THE WORD INTERNATIONAL

2528
OLD SPANISH TRAIL
SLIDELL, LA
70461

LIGHTING PLAN

Robert Wiltse

REV:

SCALE: AS NOTED

JOB#: 2128

DATE: 01-27-12

SHEET 12

E-2

OF 15

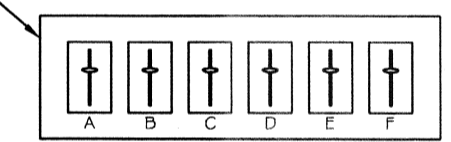
LIGHTING FIXTURE SCHEDULE

LABEL	DESCRIPTION	MANUFACTURER PRODUCT #	LAMPS
F1	6" RECESSED BLACK BAFFLE DOWNLIGHT, WHITE TRIM FLANGE	ELITE LIGHTING BG / B632P WH	90PAR/H/FL25 1 30V
F2	2x4 RECESSED FLOURESCENT MTL. DIFFUSER	LITHONIA LIGHTING 2AV G 2 32 MDR GEB10I5	2-T8 32W FLOURESCENT 120V
F3	8" OPEN DOWNLIGHT SPECULAR REFL. W/ WHT FLANGE	LITHONIA LIGHTING 8VF 1/42TRT MVOLT 802AZ TRW	1-42W COMPACT FLOURESCENT 120V
F4	GENERAL PURPOSE T8 TROFFER 2x4	LITHONIA LIGHTING 2GT8 3 32 A12 MVOLT 1/3 GEB10I5	3-T8 32W FLOURESCENT 120V
F5	2x4 PARAMAX PARABOLIC TROFFER	LITHONIA LIGHTING 2PM3N 3 32 18LD MVOLT 1/3 GEB10I5	3-T8 32W FLOURESCENT 120V
F6	SQUARE BASKET WRAP, 8 3/8" 2LP T8 PRISMATIC ELEC. BALLAST	LITHONIA LIGHTING SB 2 32 MVOLT GEB10I5	2-32W T8 FLOURESCENT 120V
F7	COMMERCIAL WALL BRACKET 48" LONG	LITHONIA LIGHTING WC 2 32 MVOLT GEB10I5	2-T8 32W FLOURESCENT 120V
F8	ONE LAMP STRIP WITH ASSYMETRIC REFLEC. - FLOURESCENT	LITHONIA LIGHTING Z 1 32 MVOLT Z8ASR48 GEB10I5	1-T8 32W FLOURESCENT 120V
F9	FLOODLIGHT, TA DISTRIBUTION - METAL HALIDE	LITHONIA LIGHTING TFM 100M TA TB FTS DDB LPI	1-100W CLEAR ED17 METAL HALIDE
F10	BUILDING MOUNTED LUMINAIRE METAL HALIDE	LITHONIA LIGHTING TWP 150M TB LPI	1-150W CLEAR ED-28 METAL HALIDE
F11	CLG. MOUNTED COMPACT FLOURESCENT KEYLESS	LEVITON 9860	1-13W GU24 COMPACT FLOUR.
EM	EMERGENCY EGRESS LIGHT W/ 90 MIN. BATTERY BACKUP	EELP LIGHTING EM1	2-5.4W HALOGEN
EX	WALL MOUNTED LED EXIT SIGN	EELP LIGHTING XE 2 R W EM	LED
EM1	WET LOCATION LISTED WALL MTD. EMER. EGRESS LIGHT	EELP LIGHTING DEM WH	2-6W ZENON

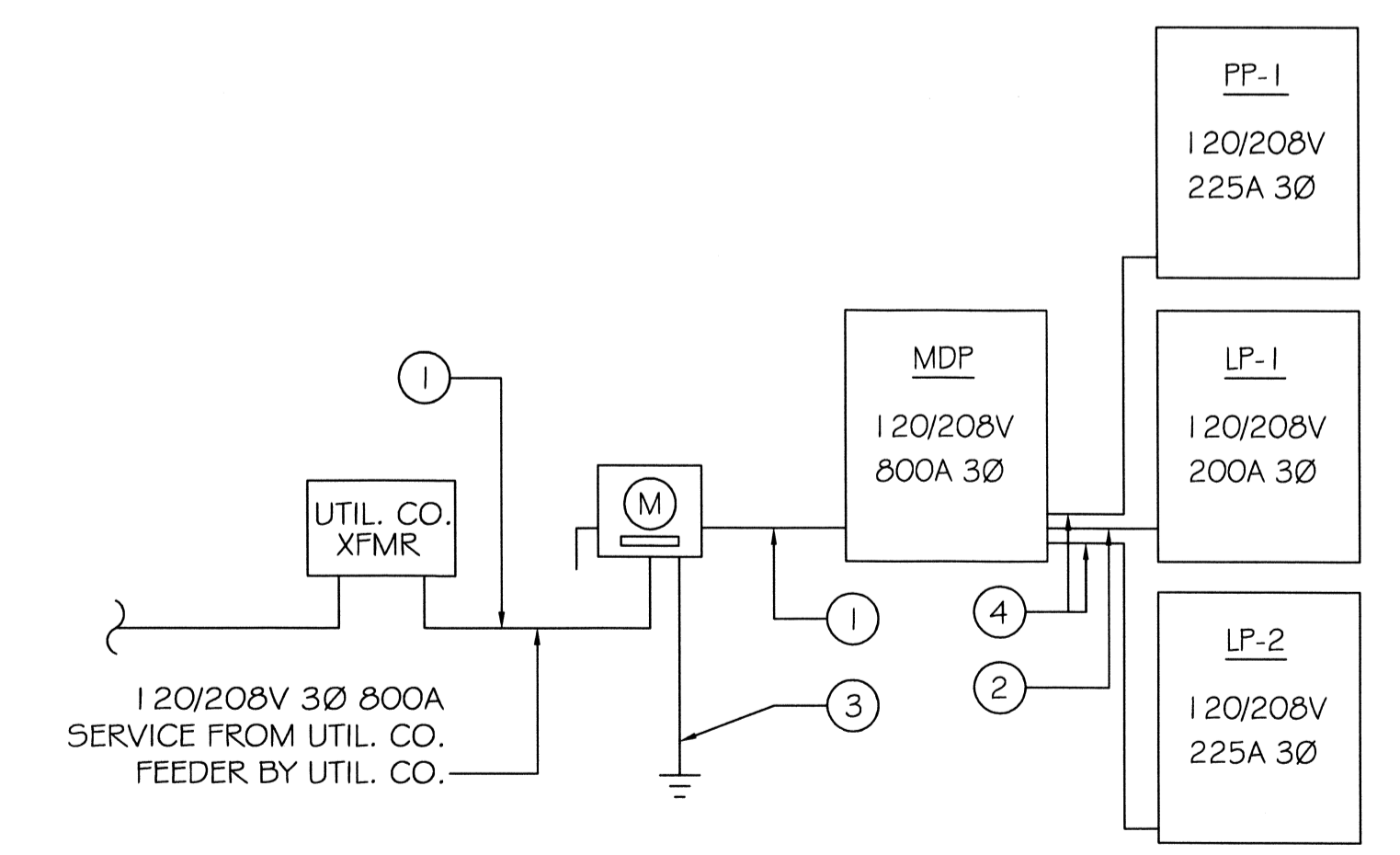
NOTES:
1. CONNECT ALL EMERGENCY / EXIT LIGHT FIXTURES TO NEAREST CONSTANT POWER SOURCE.

101:12.2.10 - EXIT SIGNS SHALL "DEFINE EXITS"

INSTALL DIMMERS IN GANG TYPE BOX UNDER SINGLE FACEPLATE.

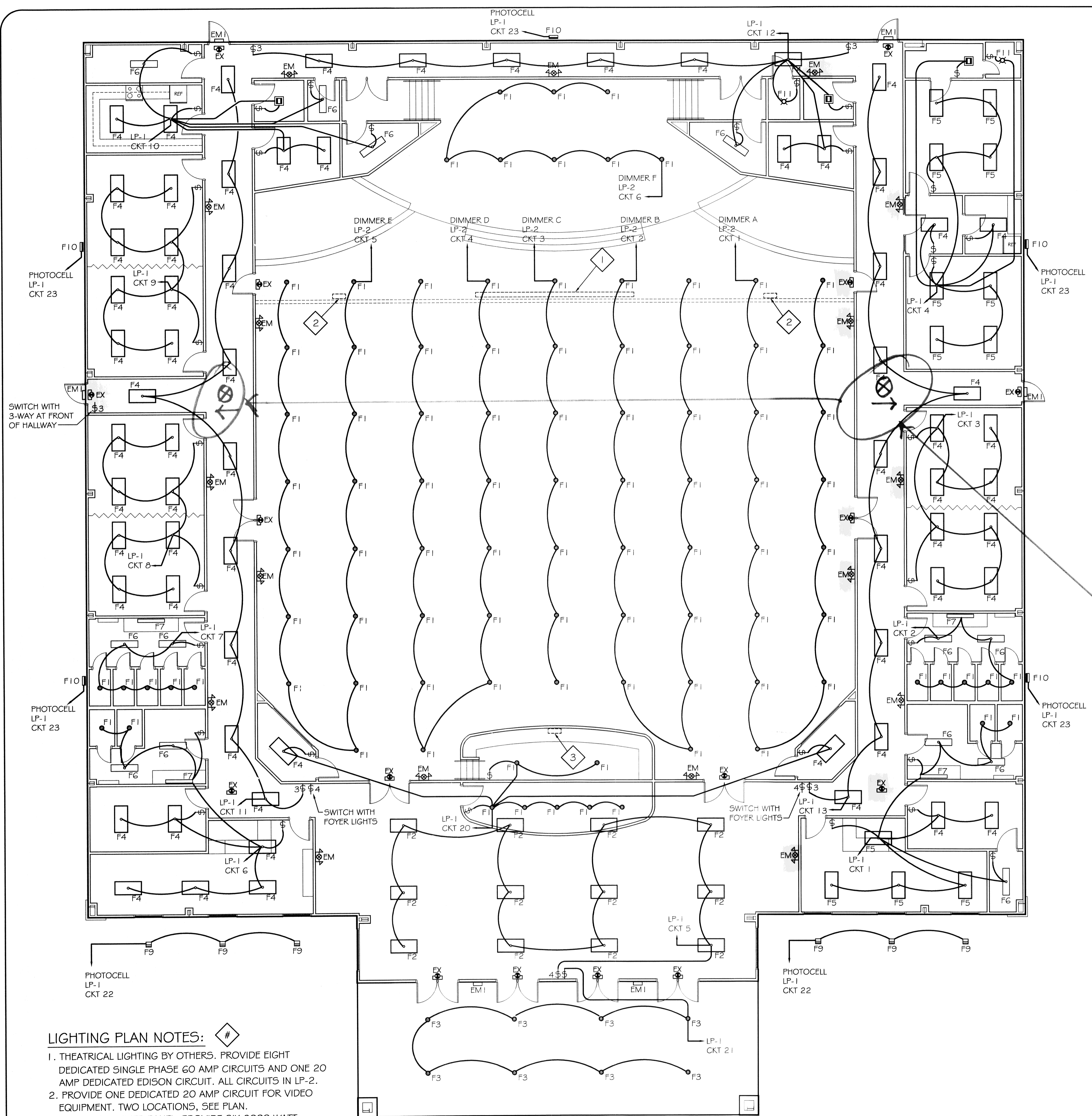


DIMMER PANEL DETAIL
SCALE: N.T.S.



- ① 6-500 MCM 2-500 MCM N. 2-#2 GND 2-3.5" C.
- ② 3-3/0 1-2/0 N. 1-#4 GND 1-2" C.
- ③ 3/4 X10 CU CLAD GRND ROD, GRND WIRE #4 CU, PROTECTED IN 1/2" PVC PIPE CONNECTED TO COLD WATER SUPPLY AND METAL BUILDING IN ACCORDANCE WITH ARTICLE 250 OF NEC.
- ④ 3-4/0 1-3/0 N. 1-#2 GND 1-2.5" C.

ELEC. RISER DIAGRAM
N.T.S.



LIGHTING PLAN NOTES:

1. THEATRICAL LIGHTING BY OTHERS. PROVIDE EIGHT DEDICATED SINGLE PHASE 60 AMP CIRCUITS AND ONE 20 AMP DEDICATED EDISON CIRCUIT. ALL CIRCUITS IN LP-2.
2. PROVIDE ONE DEDICATED 20 AMP CIRCUIT FOR VIDEO EQUIPMENT. TWO LOCATIONS. SEE PLAN.
3. LIGHTING DIMMER PANEL. PROVIDE SIX 2000 WATT DIMMER CIRCUITS.

LIGHTING PLAN
SCALE: 1/8"=1'-0"

FEB 13 2012
4:07:33