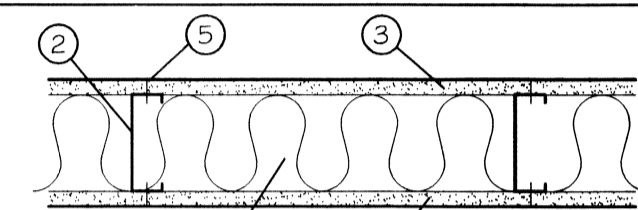


DOOR # HARDWARE SCHEDULE						
MARK	SIZE	DOOR TYPE	FRAME	HDWR. NO.	STC	REMARKS
<b>EXTERIOR DOORS</b>						
(E)	VERIFY ON JOB			1	NA	EXISTING TO REMAIN
(1)	1-3/4x3/0x6/8	FLUSH GALV. HOL. MET. STEEL INSUL.	GALV. PTD. HOL. MET.	3	NA	GALVANIZING TO BE G90
<b>INTERIOR DOORS</b>						
(2)	1-3/4x3/0x6/8	FLUSH SOLID CORE WD.	PTD. HOL. MET.	2	NA	ONE HOUR FIRE RATED @ 100/203. PROVIDE OFFICE/ENTRY LOCK @ RECEPTION 100
(3)	1-3/4x3/0x6/8	FLUSH SOLID CORE WD.	PTD. HOL. MET.	4	NA	
(4)	1-3/4x3/0x6/8	FLUSH SOLID CORE WD.	PTD. HOL. MET.	5	NA	1 HR FIRE RATED @ 207/208
(5)	1-3/4x3/0x6/8	FLUSH SOLID CORE WD.	PTD. HOL. MET.	6	NA	
(6)	1-3/4x2/0x6/8	FLUSH SOLID CORE WD.	PTD. HOL. MET.	6	NA	
(7)	3/0x6/8	FOLDING	CASED OPENING	7	NA	EQUAL TO PANELFOLD SIGNATURE SERIES. COLOR SELECT BY OWNER
(8)	VARIES	N/A	PTD. HOL. MET. CASED OPENING	NA	NA	

- DOOR HARDWARE SCHEDULE:  
 1. PROVIDE NEW CORE IN EXISTING HARDWARE, KEYS TO NEW KEY SCHEDULE AND SYSTEM.  
 2. PASSAGE LOCK, DOOR STOP, US26D HINGES.  
 3. AUTO CLOSER, DOOR STOP, BALL BEARING US32D HINGES, OFFICE / ENTRY LOCK, WEATHER STRIPPING.  
 4. OFFICE / ENTRY LOCK, DOOR STOP, US26D HINGES.  
 5. PRIVACY LOCK, DOOR STOP, US26D HINGES.  
 6. STOREROOM LOCK.  
 7. MANUF. STANDARD HARDWARE PACKAGE.

WINDOW SCHEDULE			
MARK	SIZE (HxW)	TYPE	REMARKS
(E)	VERIFY ON JOB	ALUMINUM GLAZED STOREFRONT	EXISTING TO REMAIN. CLEAN, INSPECT AND REPLACE GASKETS AS NEEDED
(A)	4/0x6/0	INTERIOR HORIZ. SLIDER IN ALUM. TRACKS W/ CLEAR 1/4" TEMPERED GLASS W/ FINGER PULLS	
(B)	4/0x4/0	INTERIOR HORIZ. SLIDER IN ALUM. TRACKS W/ CLEAR 1/4" TEMPERED GLASS W/ FINGER PULLS	PROVIDE ROLLING FIRE SHUTTER
(C)	3/0x4/0	INTERIOR HORIZ. SLIDER IN ALUM. TRACKS W/ CLEAR 1/4" TEMPERED GLASS W/ FINGER PULLS	
(D)	3/0x4/0	INTERIOR PAINTED HOL. MET. FRAME W/ 1/4" TEMPERED GLASS SET IN MET. STOPS	
(F)	1/0x1/6	INTERIOR PAINTED HOL. MET. FRAME CTRL. BOOTH WINDOW, FIXED W/ LEAD GLASS	



1 HOUR FIREWALL (U465)

- UL465  
 1. FLOOR AND CEILING RUNNER: (NOT SHOWN) 25 MSG MIN. GALV. STEEL 1" HIGH, RETURN LEGS 3-5/8" (MIN.), ATTACHED TO FLOOR AND CEILING WITH FASTENERS AT 24" O.C.  
 2. STEEL STUDS: 3-5/8" WIDE (MIN.), 1-1/4" LEGS, 3/8" RETURN, FORMED OF 25 MSG GALV. STEEL, MAX. SPACING 24" O.C.  
 3. GYPSUM WALLBOARD: 5/8" THICK, 4' WIDE, ATTACHED TO STEEL STUDS AND FLOOR AND CEILING TRACK WITH 1" LONG TYPE "S" SELF-TAPPING STEEL SCREWS SPACED 8" O.C. ALONG EDGES OF BOARD AND 12" O.C. IN THE FIELD OF THE BOARD. JOINTS ORIENTED VERT. AND STAGGERED ON OPPOSITE SIDES OF THE ASSEMBLY.  
 4. BATTS AND BLANKETS: MINERAL WOOL INSULATION, PARTIALLY OR COMPLETELY FILLING STUD CAVITY.  
 5. JOINT AND TAPE COMPOUND: VINYL, DRY OR PREMIXED JOINT COMPOUND, APPLIED IN TWO COATS TO JOINTS AND SCREW HEADS; PAPER TAPE, 2" WIDE, EMBEDDED IN FIRST LAYER OF COMPOUND OVER ALL JOINTS. AS AN ALTERNATE, NOMINAL 3/32" THICK GYPSUM VENEER PLASTER MAY BE APPLIED TO THE ENTIRE SURFACE OF CLASSIFIED VENEER BASEBOARD. JOINT REINFORCED.

- LEGEND:  
 SAT SUSPENDED ACCOUSTAL TILE  
 CT CERAMIC TILE  
 CPTT CARPETED TILE  
 RB RUBBER BASE 4" HIGH

FINISH SCHEDULE									
ROOM NUMBER	ROOM NAME	WALLS	EXTEND WALL TO ROOF DECK CARDINAL DIRECTION	FLOOR	WALL BASE	WAINSCOT	CLG	CLG HGT	NOTE #
100	RECEPTION	5/8" GYP. BD. PTD.	NORTH	CT	CT	N/A	SAT	9'	
101	BUSINESS	5/8" GYP. BD. PTD.	N/A	CPTT	RB	N/A	SAT	9'	
102	FILES	5/8" GYP. BD. PTD.	N/A	CPTT	RB	N/A	SAT	9'	
103	PROCEDURE	5/8" GYP. BD. PTD.	N/A	CT	RB	N/A	SAT	9'	
104	PROCEDURE	5/8" GYP. BD. PTD.	N/A	CT	RB	N/A	SAT	9'	
105	OFFICE	5/8" GYP. BD. PTD.	N/A	CPTT	RB	N/A	SAT	9'	
106	X-RAY	5/8" GYP. BD. PTD.	N/A	CT	RB	N/A	SAT	9'	3
107	DARKROOM	5/8" GYP. BD. PTD.	N/A	CT	RB	N/A	SAT	9'	
108	WARMING KITCHEN	5/8" GYP. BD. PTD.	N/A	CT	RB	N/A	SAT	9'	
109	OFFICE	5/8" GYP. BD. PTD.	N/A	CPTT	RB	N/A	SAT	9'	
110	OFFICE	5/8" GYP. BD. PTD.	N/A	CPTT	RB	N/A	SAT	9'	
111	MEN'S ROOM	5/8" GYP. BD. PTD.	N/A	CT	CT	4' MIN. CT	SAT	9'	
112	WOMEN'S ROOM	5/8" GYP. BD. PTD.	N/A	CT	CT	4' MIN. CT	SAT	9'	
113	SERVER / ELEC	5/8" GYP. BD. PTD.	N/A	CPTT	RB	N/A	SAT	9'	
114	CONFERENCE	5/8" GYP. BD. PTD.	N/A	CPTT	RB	N/A	SAT	9'	
115	UNISEX TOILET	5/8" GYP. BD. PTD.	N/A	CT	CT	4' MIN. CT	SAT	9'	
116-123	EXAM ROOMS	5/8" GYP. BD. PTD.	NORTH	CPTT	RB	N/A	SAT	9'	1
-	CORRIDOR	5/8" GYP. BD. PTD.	N/A	CT	CT	N/A	SAT	10'	
200-202	OFFICES	5/8" GYP. BD. PTD.	SOUTH	CPTT	RB	N/A	SAT	9'	2
203	PHYSICAL THERAPY	5/8" GYP. BD. PTD.	SOUTH	CPTT	RB	N/A	SAT	9'	
204	CLOSET	5/8" GYP. BD. PTD.	N/A	CPTT	RB	N/A	SAT	9'	
205-206	DRESSING ROOM	5/8" GYP. BD. PTD.	N/A	CPTT	RB	N/A	SAT	9'	
207	WOMEN'S ROOM	5/8" GYP. BD. PTD.	NORTH	CT	CT	4' MIN. CT	SAT	9'	
208	MEN'S ROOM	5/8" GYP. BD. PTD.	NORTH	CT	CT	4' MIN. CT	SAT	9'	

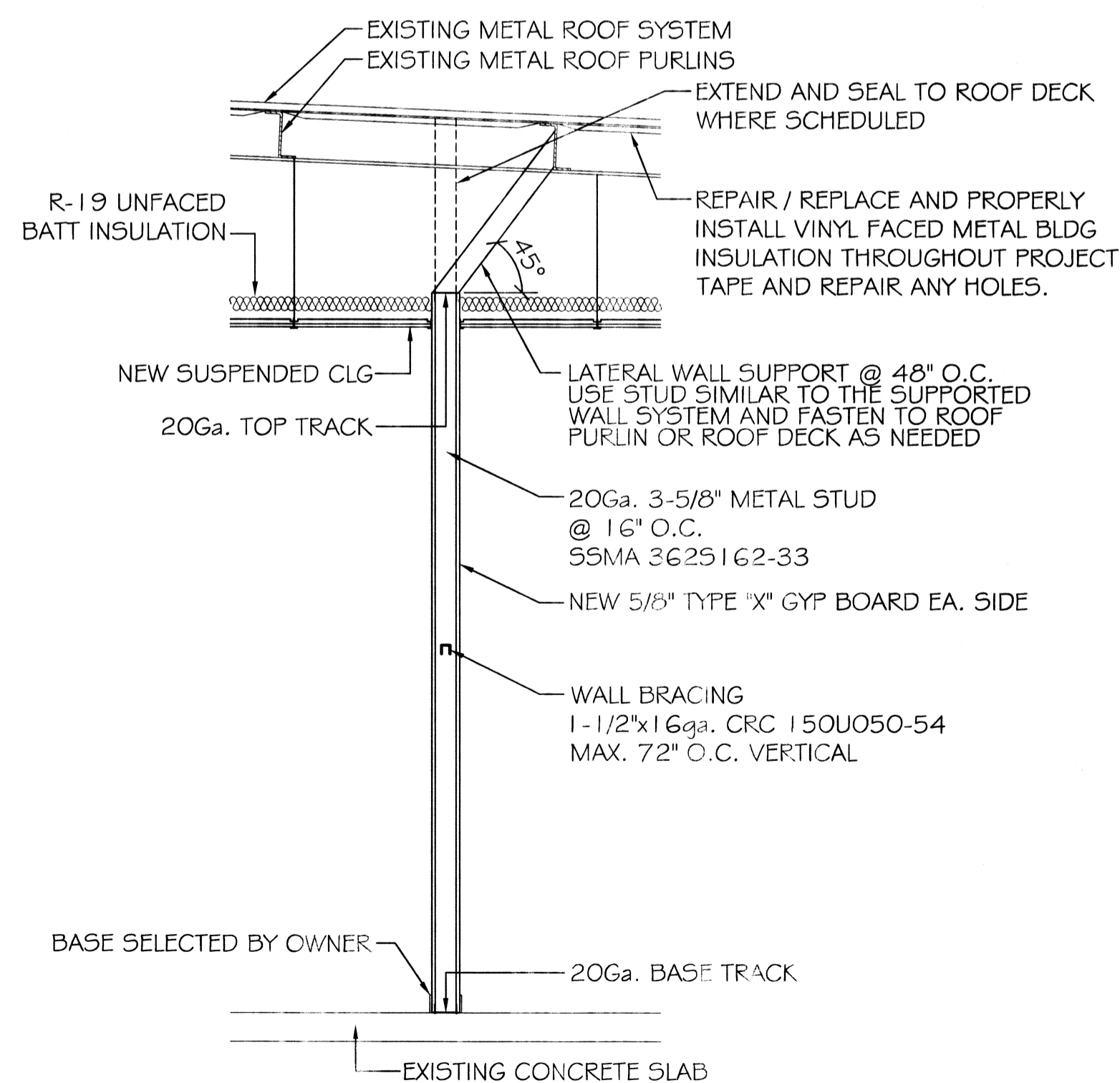
- NOTES:  
 1. 1 HR RATED FIREWALL TO ROOF DECK @ RM 119-123.  
 2. 1 HR RATED FIREWALL TO ROOF DECK @ RM 200.  
 3. PROVIDE LEAD LINES SHEETROCK. COORDINATE WITH CCX MEDICAL IMAGING, INC. (EQUIPMENT PROVIDER)

GENERAL NOTES

- INSULATION AND INSULATION ASSEMBLIES SHALL MEET THE REQUIREMENTS OF SECTION 719.
  - CONCEALED INSULATION SHALL HAVE A FLAME SPREAD OF 0-25 AND SMOKE DEVELOPED INDEX OF 0-450. EXCEPT THAT IN COMBUSTIBLE (WOOD FRAME) CONSTRUCTION.
  - FACING SHALL COMPLY WITH IBC 2009.
- PROVIDE 5x5' LANDINGS, LEVEL WITH FINISHED FLOOR, OUTSIDE EXTERIOR DOORS. THRESHOLDS SHALL BE NOT MORE THAN 1/2" IN HEIGHT AND SHALL BE BEVELED IF MORE THAN 1/4". MAX SLOPE 1:48
- CONTRACTOR TO VERIFY ALL SITE CONDITIONS, BUILDING LOCATIONS, AND DIMENSIONS PRIOR TO CONSTRUCTION.
- MATERIALS SHALL BE NEW AND U.L. LISTED.
- NO WORK SHALL BE CONCEALED UNTIL APPROVED BY LOCAL INSPECTORS.
- CONSTRUCTION SHALL COMPLY WITH ALL PARISH, STATE, AND LOCAL CODES.
- CONTRACTOR TO GUARANTEE WORK FOR ONE YEAR.
- CONTRACTOR SHALL FURNISH WATER AND POWER FROM EXISTING SOURCES.
- EXTERIOR CAULKING SHALL BE THIOKAL CAULK.
- PAINT GRADE TO SHALL BE SHERWIN WILLIAMS OR EQUIVALENT. ALL WORK TO RECEIVE 3 COATS. COLOR SELECTION BY OWNER.
  - PROVIDE CLEANUP ON A REGULAR BASIS. NO TRASH STORED IN BUILDING.
  - ALL BATT INSULATION SHALL HAVE A CLASS "A" (0-25) FLAME SPREAD IN COMPLIANCE WITH APPLICABLE CODE.
  - USE 6" STUDS, OR 4" STAGGERED STUDS AT ALL PLUMBING WALLS.
  - PROVIDE GALVANIZED METAL PAN WITH DRAIN AT WATER HEATER LOCATION.
  - ALL CORNERS SHALL BE PROPERLY BRACED FOR WIND LOADS. A 48" SHEATHING SHALL BE PROVIDED EVERY 20 FEET OF WALL LENGTH.
  - INTERIOR LOCKS ON DOORS IN MEANS OF EGRESS SHALL NOT REQUIRE THE USE OF A KEY, SPECIAL KNOWLEDGE, OR SPECIAL DEVICE TO OPEN IN THE DIRECTION OF EGRESS. ALL DOORS SHALL HAVE LEVER TYPE HANDLES.
  - INTERIOR WALLS AND CEILINGS SHALL HAVE A FLAME SPREAD OF 0-200 AND A SMOKE DEVELOPMENT RATING OF 0-450.
  - ALL WORK SHALL COMPLY WITH THE LATEST EDITION OF ALL LOCAL, STATE, AND NATIONAL CODES COVERING THE TYPE OF WORK BEING PERFORMED.
  - PROVIDE PORTABLE FIRE EXTINGUISHERS IN ACCORDANCE WITH NFPA 101. SEE APPENDIX "E" OF NFPA 101 FOR DISTRIBUTION OF EXTINGUISHERS.
  - ALL FIRE WALLS SHALL EXTEND TIGHT TO ROOF DECK AND BE SEALED WITH AN APPROVED FIRE CAULK.
  - ALL ELECTRICAL, MECHANICAL, AND PLUMBING MATERIALS PENETRATING FIRE WALLS SHALL BE FIRE CAULKED. (PENETRATIONS THROUGH RATED CONSTRUCTION SHALL BE SEALED WITH A MATERIAL CAPABLE OF PREVENTING THE PASSAGE OF FLAMES AND HOT GASES WHEN TESTED IN ACCORDANCE WITH ASTM-E814.)
  - SERVICE COUNTER SHALL HAVE A HCP ACCESSIBLE WRITING SURFACE, MAX. 36" FROM F.F. (ADAAG MANUAL 1998, PG 135)
  - ALL FINISHES / COLORS TO BE SELECTED BY OWNER.

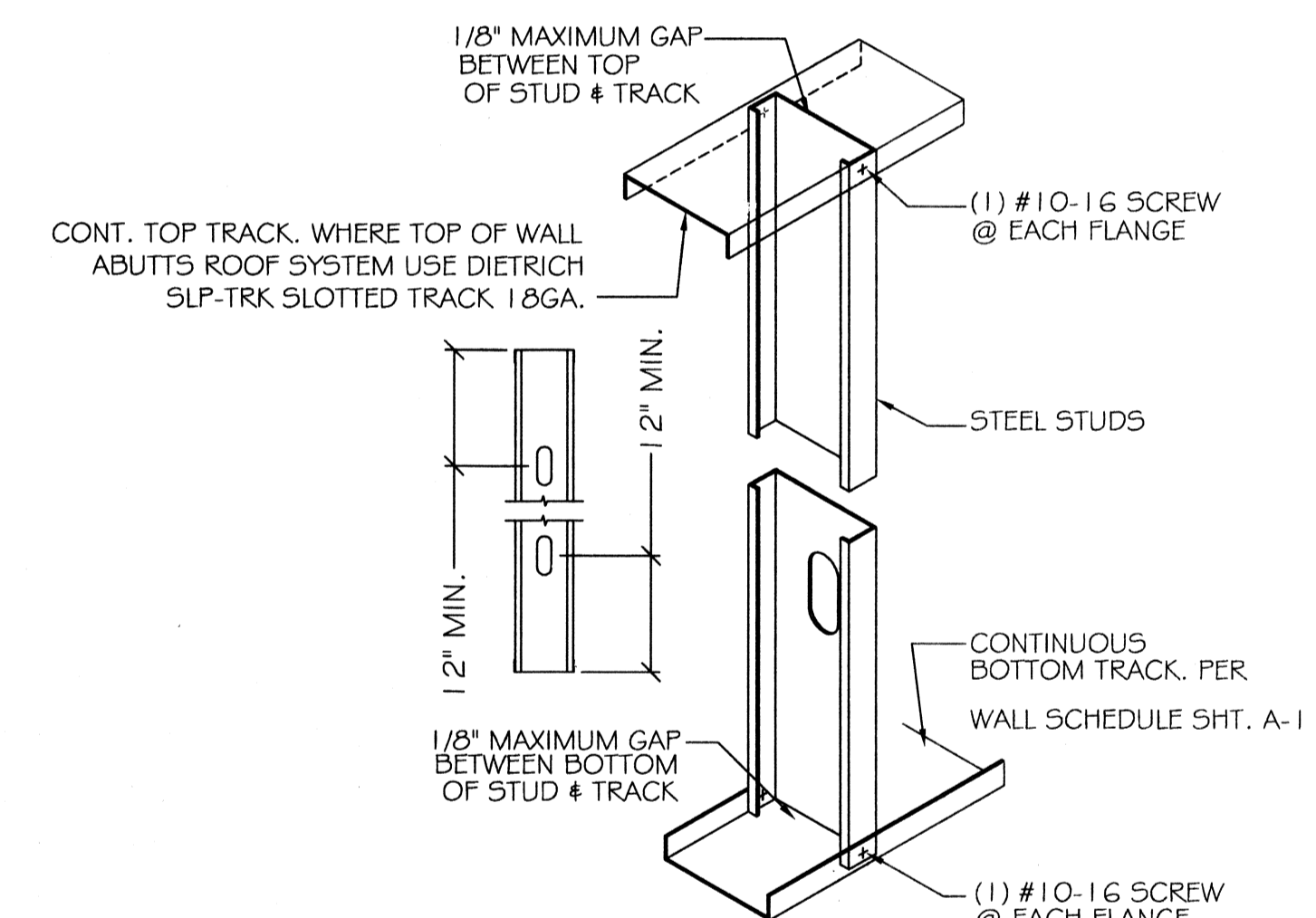
EXTERIOR STUCCO REPAIR NOTES

- COORDINATE WITH SHERWIN-WILLIAMS TO SELECT AN ACRYLIC LATEX PRODUCT SUCH AS DURATION EXTERIOR COATING OR SUPERPAINT EXTERIOR LATEX PAINT.
- CONSIDER USING A PRIMER FOR LARGER REPAIRS.
- USE TWO COATS WHEN COVERING A DARKER COLOR WITH A LIGHTER COLOR.
- REPAIR ALL CRACKS, HOLES, AND PENETRATIONS WITH SHERWIN-WILLIAMS CONSEAL ELASTOMERIC SEALANT OR CONSEAL SMOOTH & TEXTURED ELASTOMERIC PATCHES.
- ALL SURFACES TO BE CLEAN AND DRY PRIOR TO PRIMING OR PAINTING.
- INSTALL ALL PRODUCTS IN STRICT ACCORDANCE WITH MANUFACTURER'S RECOMMENDATIONS.



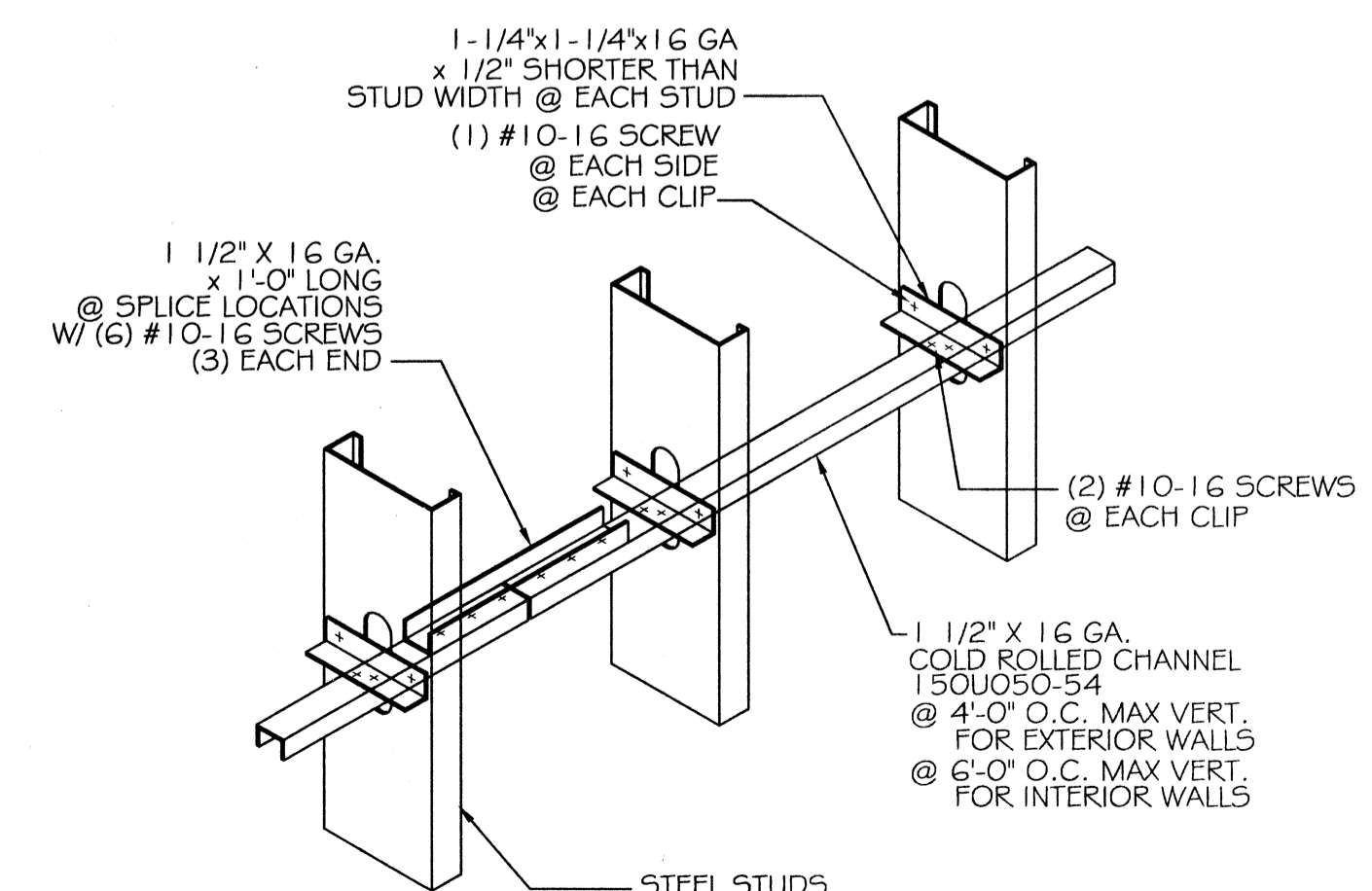
INTERIOR WALL DETAIL

SCALE: 1/2" = 1'-0"



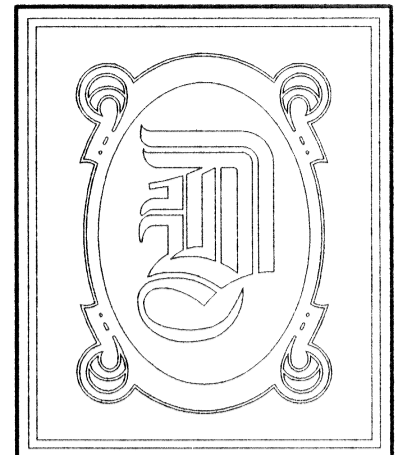
TRACK CONNECTION DETAIL

SCALE: N.T.S.



HORIZ. BRACING DETAIL

SCALE: N.T.S.



DAMMON ENGINEERING, INC.

CHIEF ENGINEER  
EMMETT DAMMON, P.E.

CHIEF ARCHITECT  
ROBERT WILTSE

554 OLD SPANISH TRAIL  
SLIDELL, LA. 70458  
OFFICE: 985-649-5832  
FAX: 985-641-5950

WEBSITE:  
WWW.DAMMONENGINEERING.COM

EMAIL:  
DAMMONENG@BELLSOUTH.NET

ARCHITECTURE

ENGINEERING

STUDIES

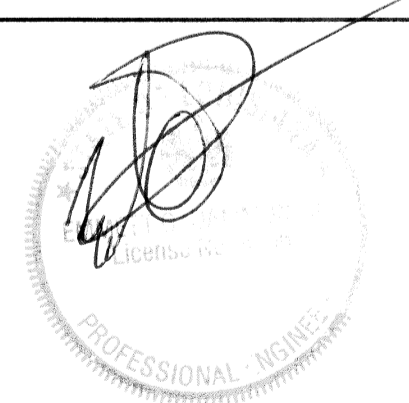
PLANNING

INVESTIGATION

EXPERT WITNESS

BRIAN FONG, M.D. Inc.  
MEDICAL OFFICE  
2965 GAUSE BLVD.  
SLIDELL, LA

ARCHITECTURAL  
DETAILS



REV:

SCALE: AS NOTED

JOB#: 2132

DATE: 04-17-12

SHEET 5

A-3

OF 12