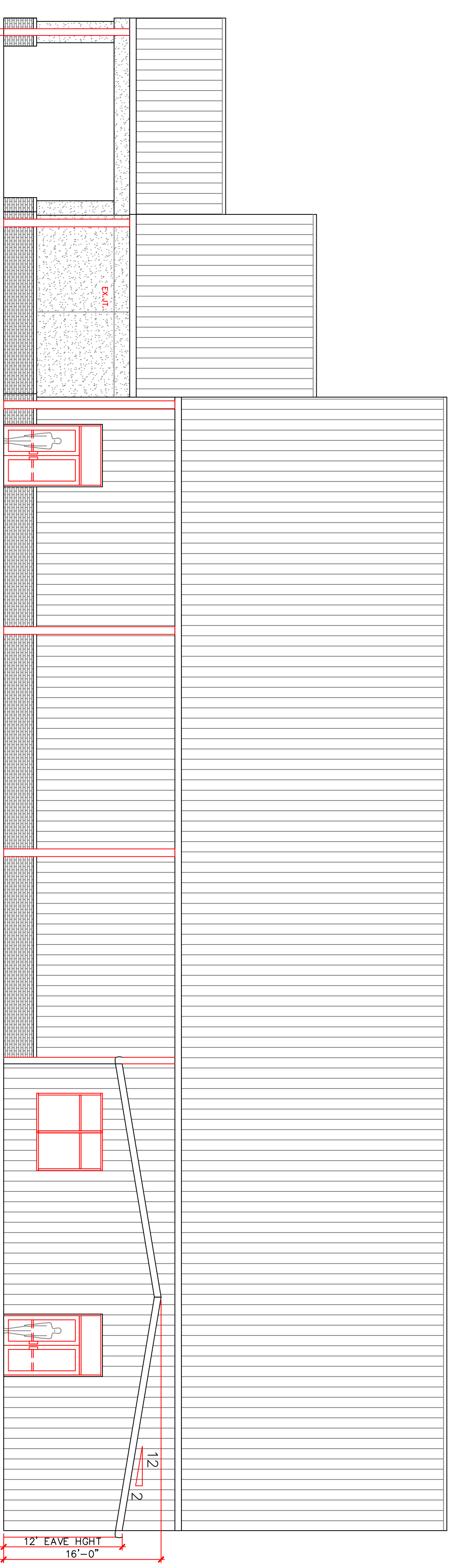
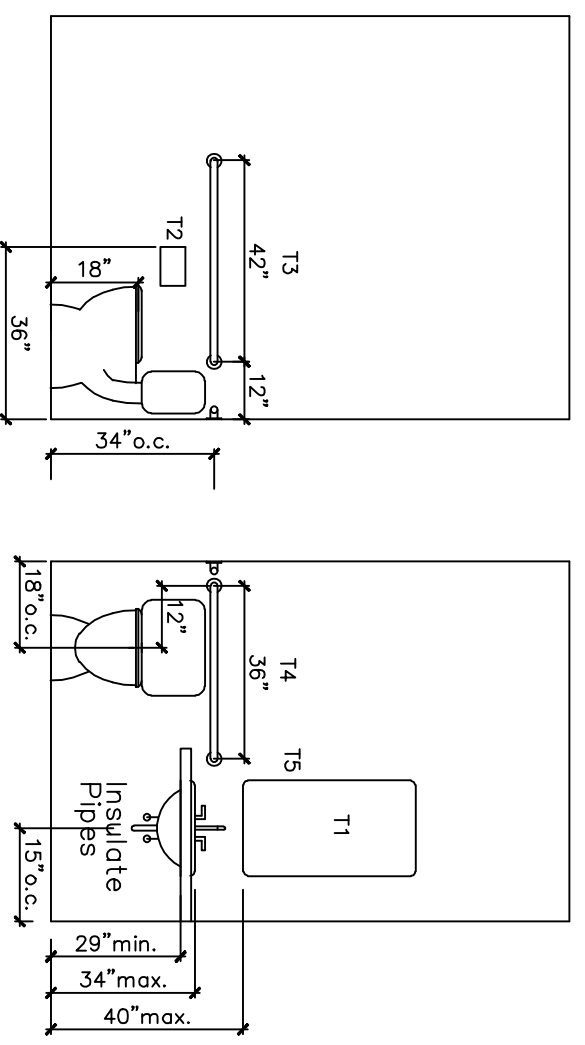
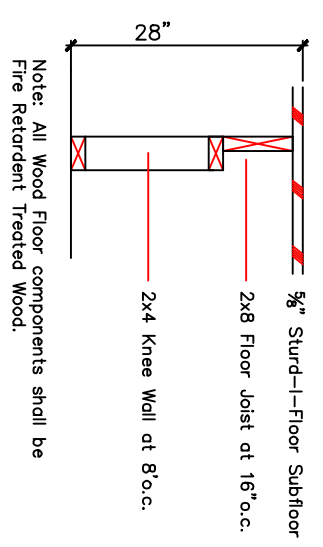


RATLEY ARCHITECTS
 A Professional Architectural Corporation
 Stephen C. Ratley, Architect
 75279 Allen Road
 Abile Springs, LA 70420
 voice: 985.867.9509
 mobil: 985.630.9882
 ratleyarchitects @ att.net



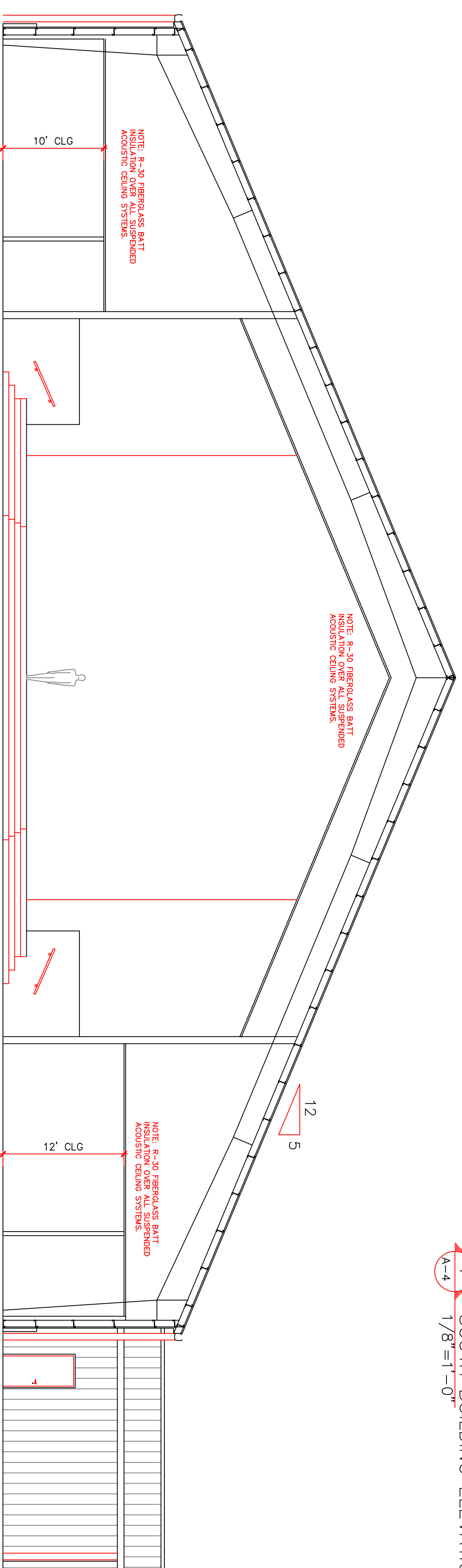
1 SOUTH BUILDING ELEVATION
 1/8"=1'-0"

8 PLATFORM FRAMING DETAIL
 N.T.S.



7 ADA RESTROOM DETAILS
 N.T.S.

toilet compartments. Removable plastic handles and panels. Blenders and doors with clear acrylic aluminum hardware. 32\"/>



2 BUILDING SECTION
 1/8"=1'-0"

**A New Facility for
 1st Baptist Church Lacombe
 62060 La Hwy 434
 Lacombe, Louisiana 70445-3260
 St. Tammany Parish**

19.9.2013 2009-07
 FOR REVIEW FBQL6.dwg

A-4