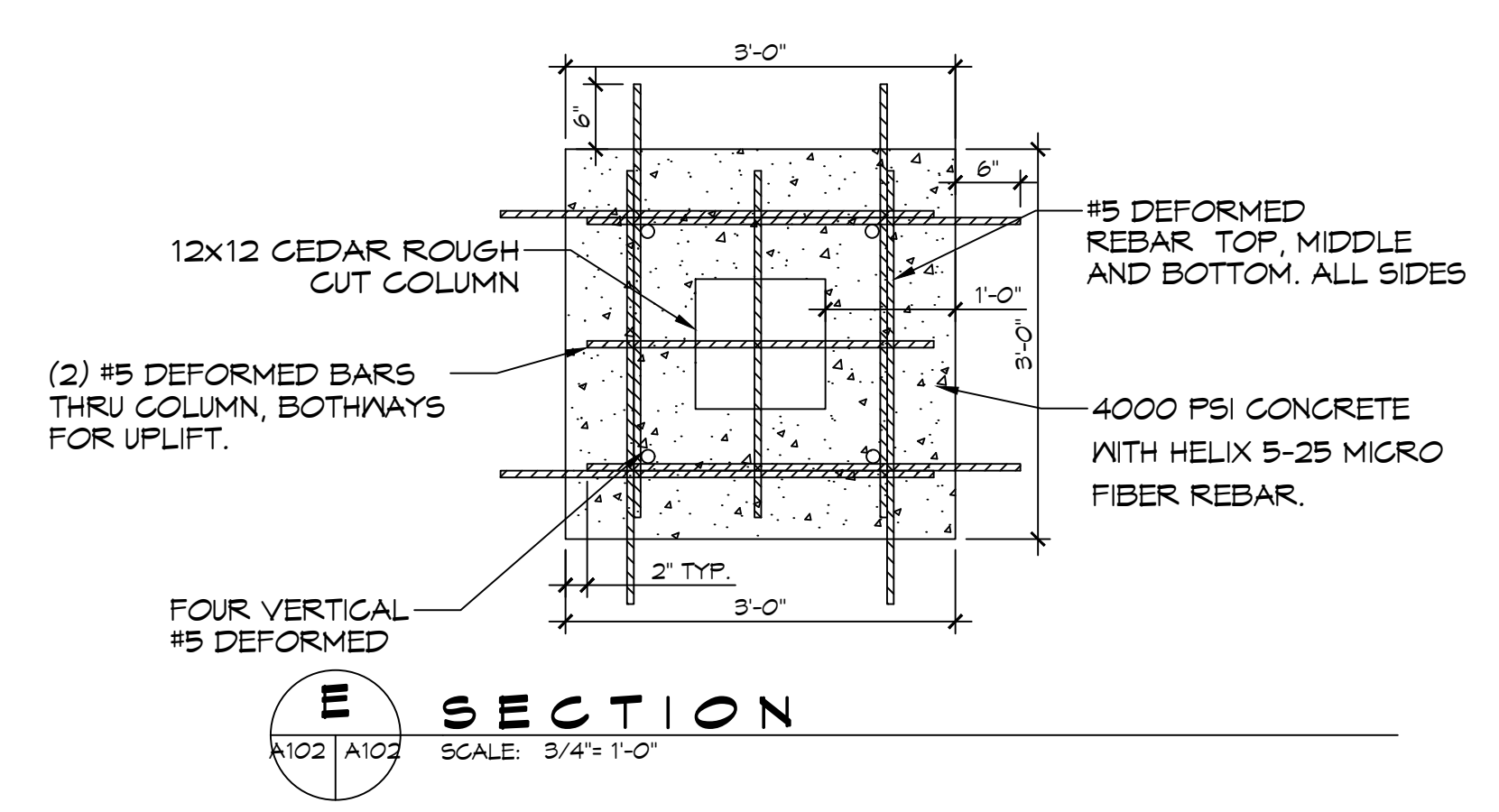
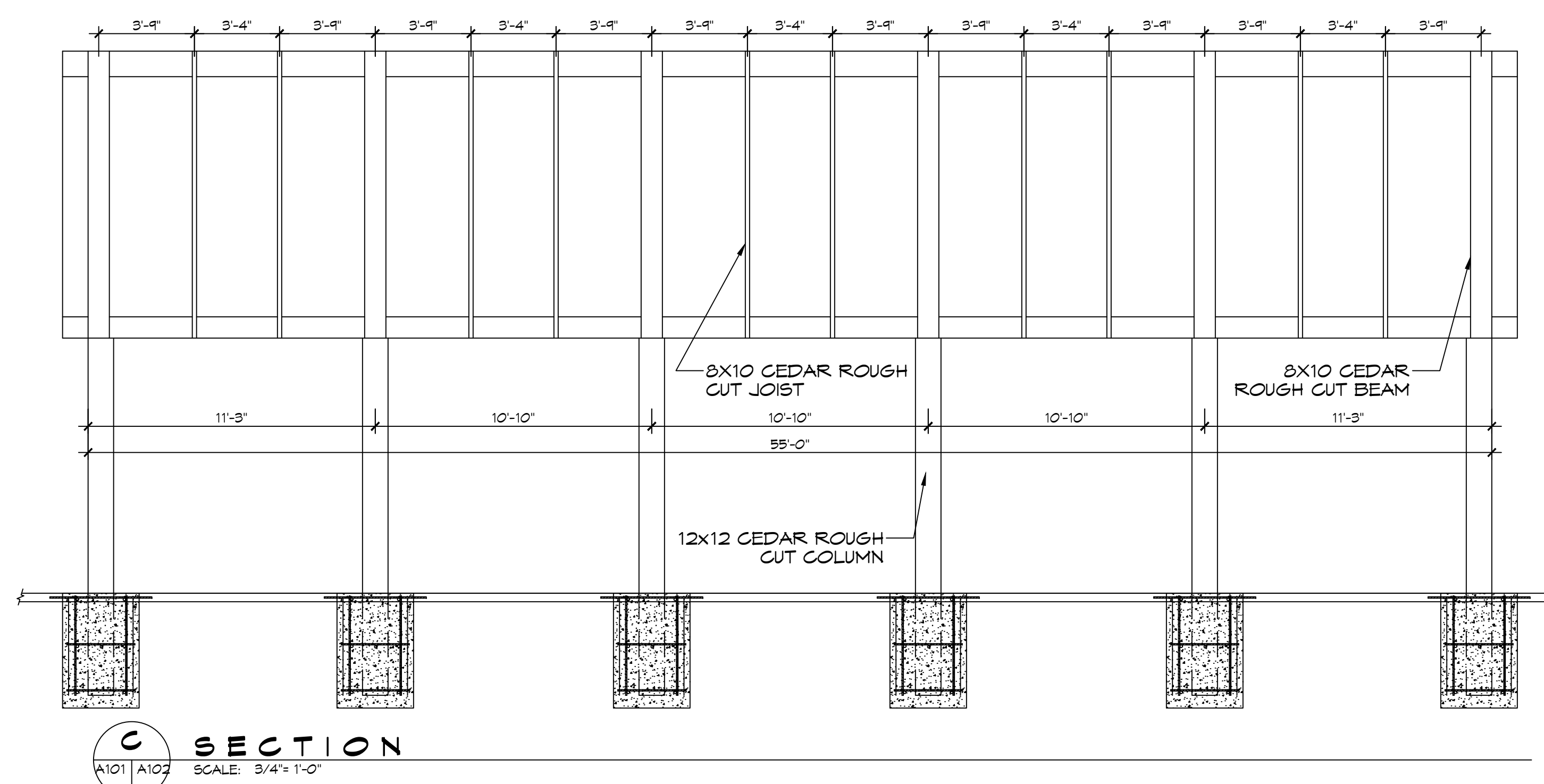
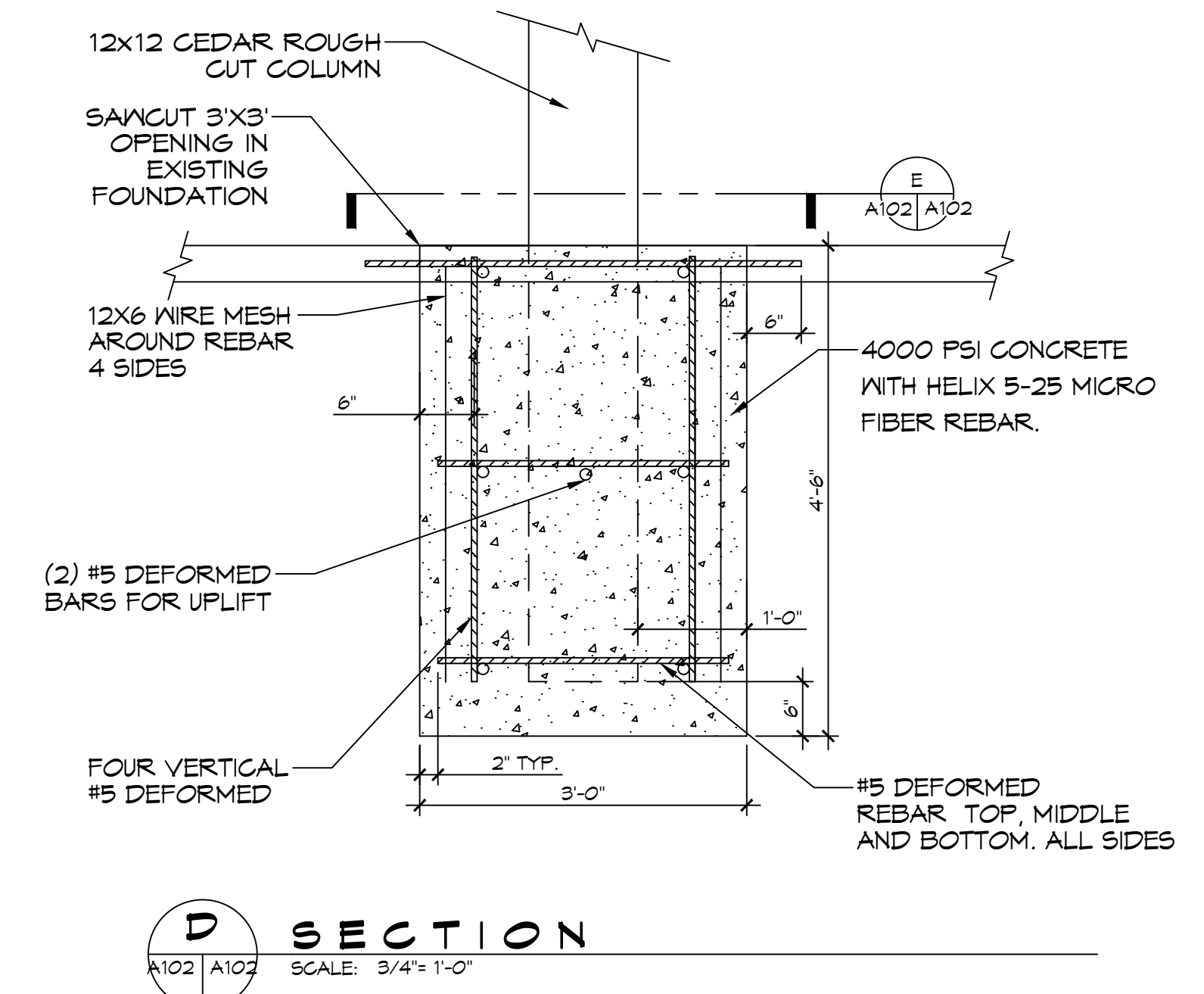
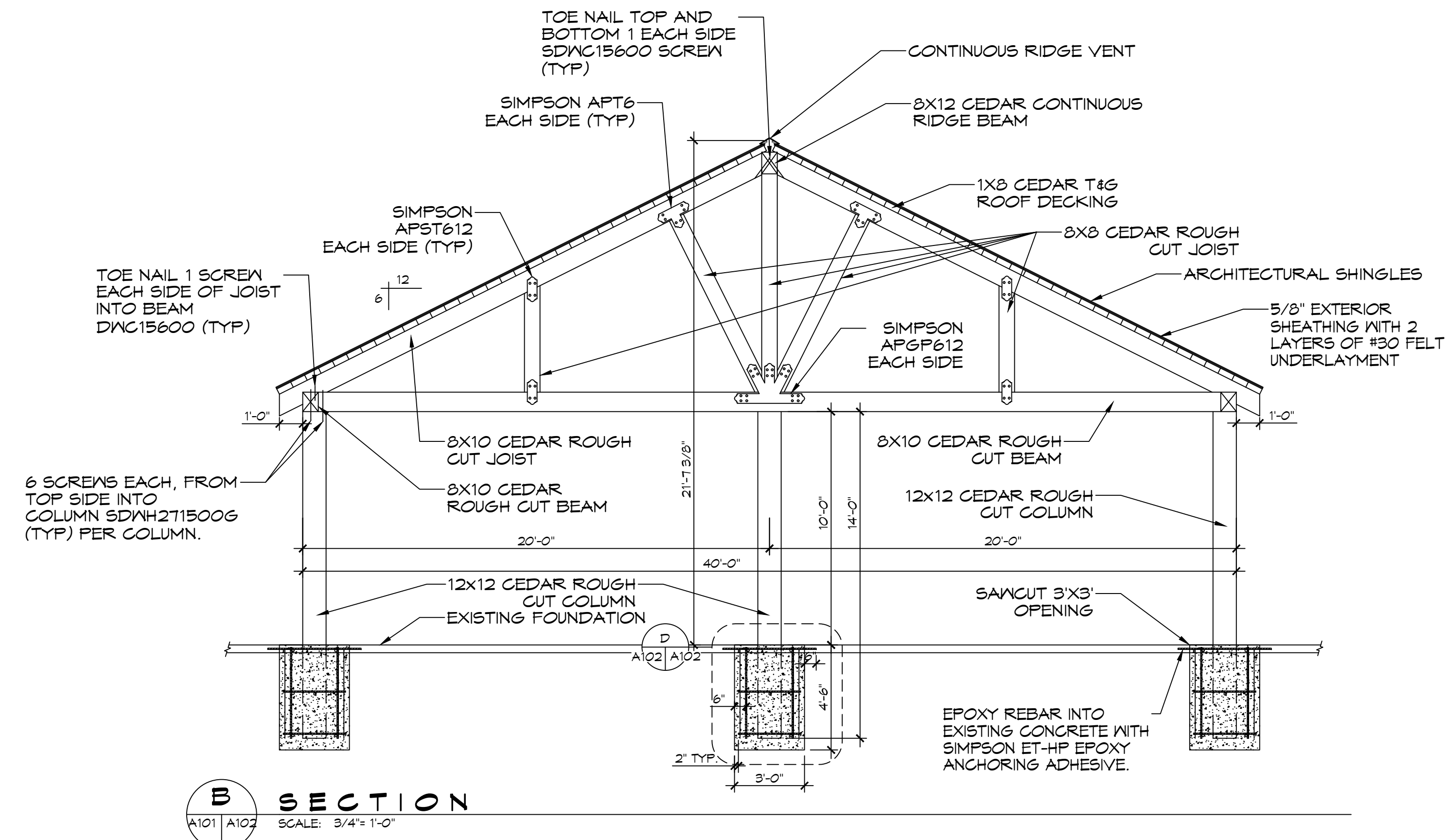


**NOTE:**

CONTACT SIDNEY MONTECINO FOR SIMPSON STRONG-TIE MATERIAL LIST FOR THE PAVILION. 985-373-3339 OR SMONTECINO@STRONGTIE.COM



#	DESCRIPTION	DATE

SEAL:

NEW OUTDOOR PAVILION  
PRIMARY ADDRESS OF  
T8520 LA-1081  
CORYDON, LA 70435  
JOB No: 2024  
DATE: 02-15-2024  
DRAWN BY: CKD  
CHECKED BY: JMS

SHEET TITLE:  
BUILDING SECTIONS

DRAWING NUMBER:  
**A102**  
SHEET No: 4 of 5