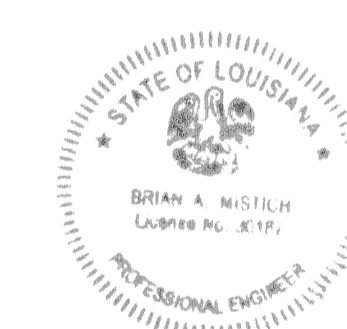


A NEW CHURCH BUILDING  
FOR:

**REDEEMER  
LUTHERAN**

22531 Hwy 1088  
Mandeville, LA 70471

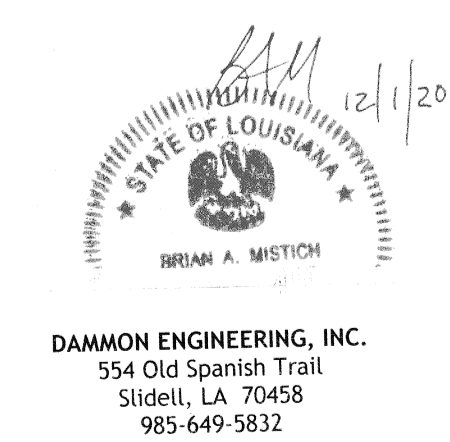


THESE DRAWINGS ARE THE SOLE PROPERTY OF FAULTERORY LATHAM WELDON BARRÉ ARCHITECTS, APC, AND ARE ISSUED AS INSTRUMENTS OF SERVICE. THESE DRAWINGS SHALL NOT BE COPIED, REPRODUCED OR USED IN ANY MANNER WITHOUT WRITTEN CONSENT OF FAULTERORY LATHAM WELDON BARRÉ ARCHITECTS, APC.

Issue	Date	Remark

ELECTRICAL RISER AND SCHEDULES

Job No.	214011.01	Sheet No.	
Drawn by		E3.0	
Checked by			
Date	11.6.2014		



**DAMMON ENGINEERING, INC.**  
554 Old Spanish Trail  
Slidell, LA 70458  
985-649-5832

**PANEL "MDP"**

120/208 3P 4W 800A MLO N-3R SURFACE MOUNT 22KAIC

Circuit No.	Description	Conductor Size	Volt-Amps A	Volt-Amps B	Volt-Amps C	Breaker Size	Breaker Size	Volt-Amps A	Volt-Amps B	Volt-Amps C	Conductor Size	Description	Circuit No.
1	PANEL "LP"	4/0	27900			3P 225A	3P 400A	35550			500MCM	PANEL "M"	2
3			24300					35550				35550	6
5				25200									
7	200A SPACE											100A SPACE	10
9												12	
11													14
13	200A SPACE											100A SPACE	16
15													18
17													
PHASE			27900	24300	25200			35550	35550	35550			
PH. TOTAL								63450	59850	60750			
TOTAL VA										114200			

**PANEL "M"**

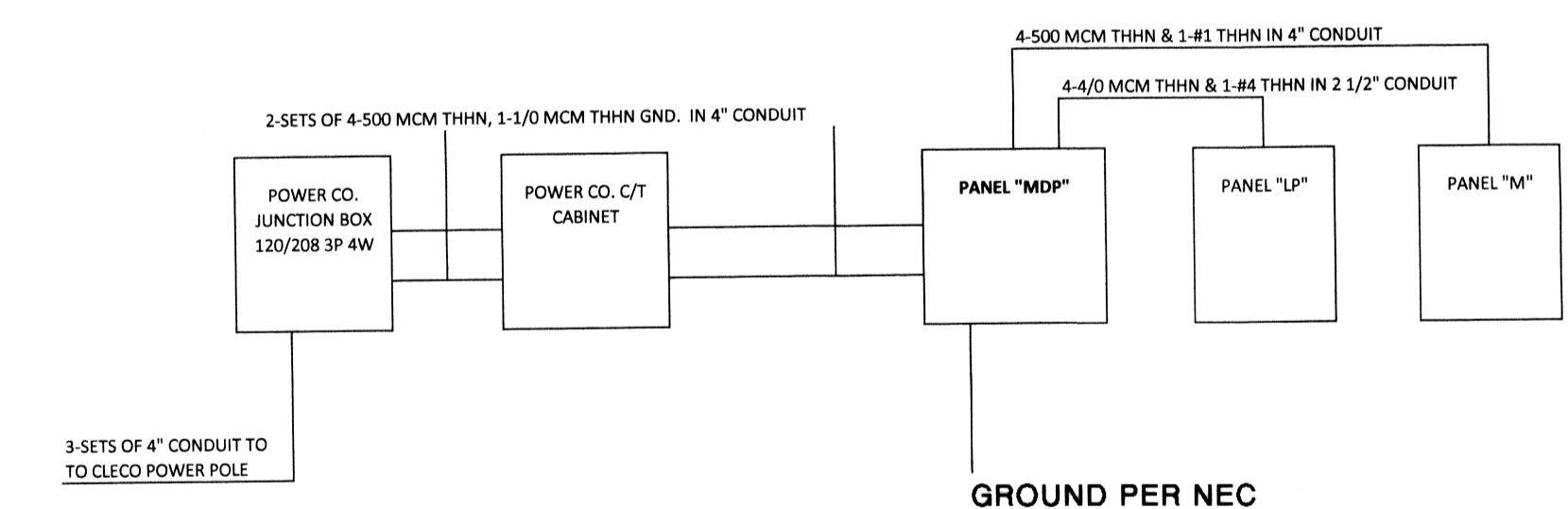
120/208 3P 4W 400A MLO N-1 SURFACE MOUNT 22KAIC

Circuit No.	Description	Conductor Size	Volt-Amps A	Volt-Amps B	Volt-Amps C	Breaker Size	Breaker Size	Volt-Amps A	Volt-Amps B	Volt-Amps C	Conductor Size	Description	Circuit No.	
1	AHU-1	#10	2700			3P 30A	3P 60A	5400			#6	AHU-2	2	
3				2700					5400				5400	4
5					2700									
7	AHU-3	#10	2700			3P 30A	3P 20A	2700			#10	AHU-4	8	
9					2700					2700				10
11								2700						
13	AHU-5	#10	2700			3P 30A	3P 30A	2700			#10	AHU-6	14	
15					2700					2700				16
17								2700						
19	AHU-7	#10	2700			3P 30A	3P 30A	2700			#10	CU-1	20	
21					2700					2700				22
23								2700						
25	CU-2	#12	2700			3P 20A	3P 20A	1800			#12	CU-3	26	
27					2700					1800				28
29								2700						
31	CU-4	#12	1350			3P 15A	3P 20A	1800			#12	CU-5	32	
33					1350					1800				34
35								1350						
37	CU-6	#12	1800			3P 20A	3P 20A	1800			#12	CU-7	38	
39					1800					1800				40
41								1800						
PHASE			16650	16650	16650			18900	18900	18900				
PH. TOTAL								55500	55500	55500				
TOTAL VA										71100				

**PANEL "LP"**

120/208 3P 4W 225A MLO N-1 FLUSH MOUNT 22KAIC

Circuit No.	Description	Conductor Size	Volt-Amps A	Volt-Amps B	Volt-Amps C	Breaker Size	Breaker Size	Volt-Amps A	Volt-Amps B	Volt-Amps C	Conductor Size	Description	Circuit No.		
1	SITE LIGHTING	#10	2700			2P 30A	2P 30A	2700			#12	SITE LIGHTING	2		
3					2700					2700				4	
5								1800				1800			6
7	SIGN LIGHTING	#12	1800			1P 20A	1P 20A	1800			#12	LIGHTING	8		
9					1800					1800				10	
11								1800				1800			12
13	LIGHTING	#12	1800			1P 20A	1P 20A	1800			#12	LIGHTING	14		
15					1800					1800				16	
17								1800				1800			18
19	RECEPTACLES					1P 20A	1P 20A	1800				RECEPTACLES	20		
21								1800				1800			22
23									1800				1800		
25	RECEPTACLES					1P 20A	1P 20A	1800				RECEPTACLES	26		
27								1800				1800			28
29									1800				1800		
31	RECEPTACLES					1P 20A	1P 20A	1800				RECEPTACLES	32		
33								1800				1800			34
35									1800				1800		
37	WATER HEATER					1P 30A	1P 20A	4500				RANGE	38		
39									4500						40
41															
PHASE			11700	11700	11700			16200	11700	13500					
PH. TOTAL								27900	23400	25200					
TOTAL VA										53100					



**REDEEMER LUTHERAN CHURCH - ONE LINE DIAGRAM**  
NTS