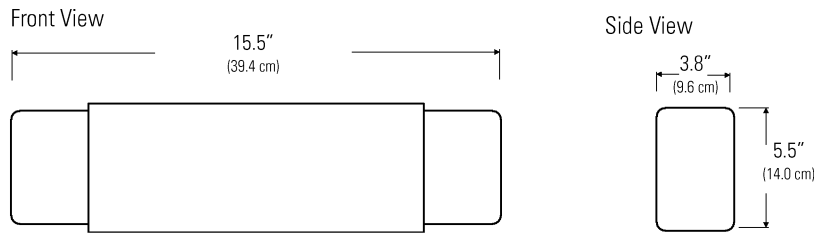




# E1 Series Emergency Lighting **E1**

The E1 Series is a decorative emergency lighting product with integral lamps. Ideal for wall or ceiling mount applications, the E1 Series' unique design will allow maximum lighting efficiency with its fully adjustable lamps.



Complete Fixture consists of unit and two lamp reflector systems. Select options and accessories below.

### How to Specify:

<b>E1</b>			
<b>SERIES</b>	<b>BATTERY/WATTAGE</b>	<b>LAMP TYPE<sup>1</sup></b>	<b>HOUSING COLOR</b>
E1 = 6V Thermoplastic Emergency Lighting Unit	<u>Lead Calcium</u> 12L = 12W Unit 18L = 18W Unit 25L = 25W Unit <sup>3</sup> <u>Nickel Cadmium</u> 12N = 12W Unit <sup>3</sup> 14N = 14W Unit <sup>3</sup> 18N = 18W Unit <sup>3</sup> 25N = 25W Unit <sup>3</sup>	T6 = Tungsten 5.4W T7 = Tungsten 7W T9 = Tungsten 9W H7 = Halogen 7W H12 = Halogen 12W	W = White B = Black

### Features

- 1. Illumination:** Includes two high performance lamp reflector systems integral to the housing. Each lamp reflector system can be adjusted 180° vertically and horizontally.
- 2. Housing:** Constructed of impact resistant, UL 94 V-0, 5VA white or black thermoplastic. Easy to install with its snap-together backplate and housing.
- 3. Electronics:** 120/277 VAC dual voltage input with surge-protected, solid-state circuitry. Charging system is complete with low voltage disconnect, AC lockout, brownout protection, AC indicator lamp and test switch.
- 4. Battery:** Maintenance free, sealed lead calcium battery has an estimated service life of 5 years, and an operating temperature range of 65°F (19°C) to 85°F (30°C). Maintenance free, sealed nickel cadmium battery has an estimated service life of 10 years, and an operating temperature range of 20°F (-7°C) to 95°F (35°C).
- 5. Input Power Requirements:** 12w unit: 0.112 amps (120 VAC), 0.062 amps (277 VAC); 14-25w unit: 0.12 amps (120 VAC), 0.055 amps (277 VAC)

### Code Compliance

UL 924 listed, UL damp location listing on selected units only.

### Options (add to end of catalog number)

- SD** = Self-Diagnostics<sup>4</sup>
- V** = Voltmeter (not available with Ammeter (A) option)<sup>2</sup>
- A** = Ammeter (not available with Voltmeter (V) option)<sup>2</sup>
- ST** = Special Input Transformer (specify voltage and frequency)
- SDTD** = Self-Diagnostics with Time Delay
- DL** = UL Damp Location Listing (Consult factory)<sup>3</sup>
- LCK1** = Line Cord (6', 120 VAC field installed)

Multiple option configurations may void UL listing. Consult factory for specifics.

### Accessories (ordered separately)

- SCKTW** = Ceiling Mount Canopy, White
- SCKTB** = Ceiling Mount Canopy, Black
- WG5** = Wire Guard
- PCS1** = Polycarbonate Vandal Shield

#### NOTES:

- 1) Selected lamp wattage cannot exceed unit output rating.
- 2) Not available for use with SD and SDTD options.
- 3) Selected models are available with damp location option.
- 4) Not available for use with DL option.

<b>Job Information</b>	<b>Type:</b>
<b>Job Name:</b>	
<b>Cat. No.:</b>	
<b>Lamp(s):</b>	
<b>Notes:</b>	

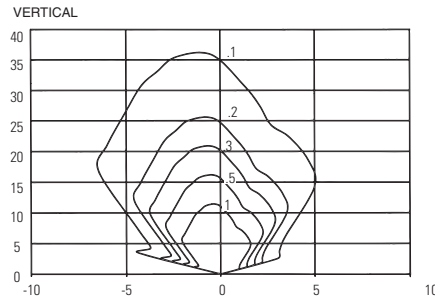
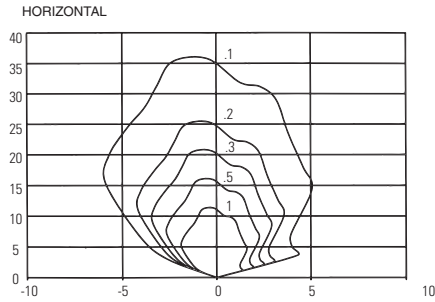
Lightolier a Genlyte Thomas Company www.lightolier.com  
 631 Airport Road, Fall River, MA 02720 • (508) 679-8131 • Fax (508) 674-4710  
 We reserve the right to change details of design, materials and finish.  
 © 2004 Genlyte Thomas Group LLC (Lightolier Division) • D0704

# LIGHTOLIER®

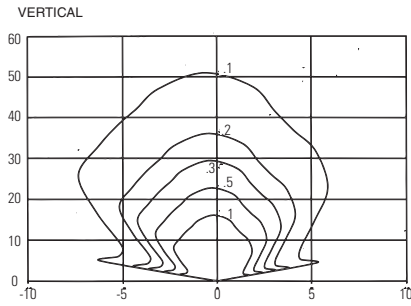
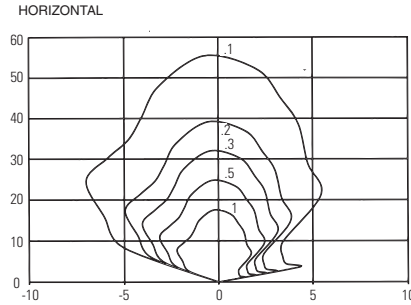


### Lamp Head Photometrics

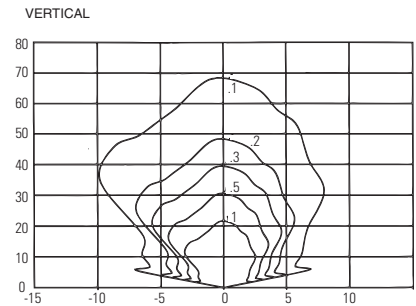
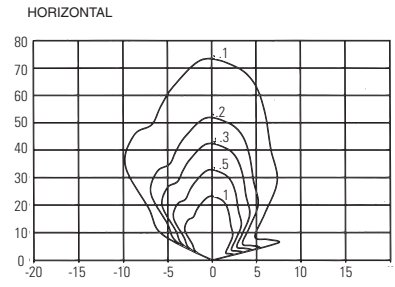
#### T6 - 6 Volt, 6 Watt, Tungsten



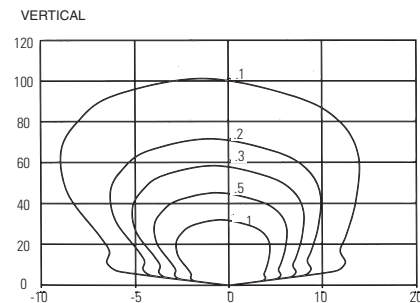
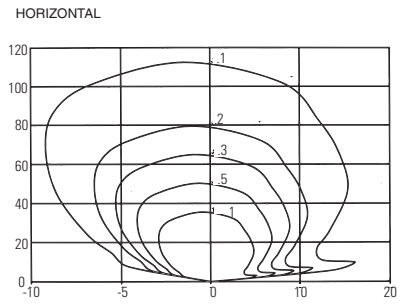
#### T7 - 6 Volt, 7 Watt, Tungsten



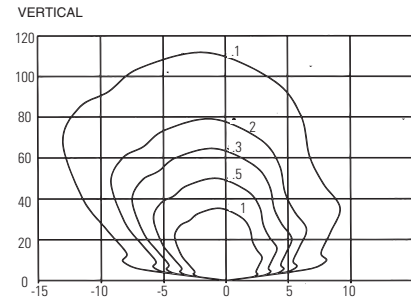
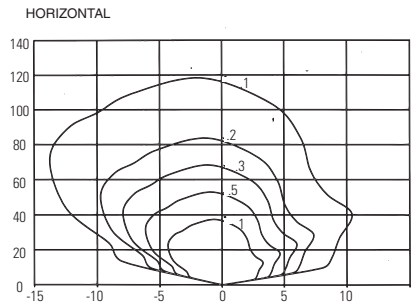
#### T9 - 6 Volt, 9 Watt, Tungsten



#### H7 - 6 Volt, 7 Watt, Halogen



#### H12 - 6 Volt, 12 Watt, Halogen



### Unit Battery Capacity

DC Voltage	Unit	Suggested Lamp Head	Watts to 87% of Rated Voltage*	
			1½ hrs.	2 hrs.
6	E112L	T6	12.0	—
6	E118L	T6	18.0	13.5
6	E125L	T6	25.0	19.0
6	E112N	T6	12.0	—
6	E114N	T6	14.0	10.5
6	E118N	T6	18.0	13.5
6	E125N	T6	25.0	19.0

\* Per NEC Specifications

### Warranty

Electronics: 3 years  
 Battery: 1 year full, 4 years pro-rata (lead calcium);  
 5 year full, 5 years pro-rata (nickel cadmium)

### Job Information **Type:**

**Lightolier** a Genlyte Thomas Company [www.lightolier.com](http://www.lightolier.com)  
 631 Airport Road, Fall River, MA 02720 • (508) 679-8131 • Fax (508) 674-4710  
 We reserve the right to change details of design, materials and finish.  
 © 2004 Genlyte Thomas Group LLC (Lightolier Division) • D0704

**LIGHTOLIER®**