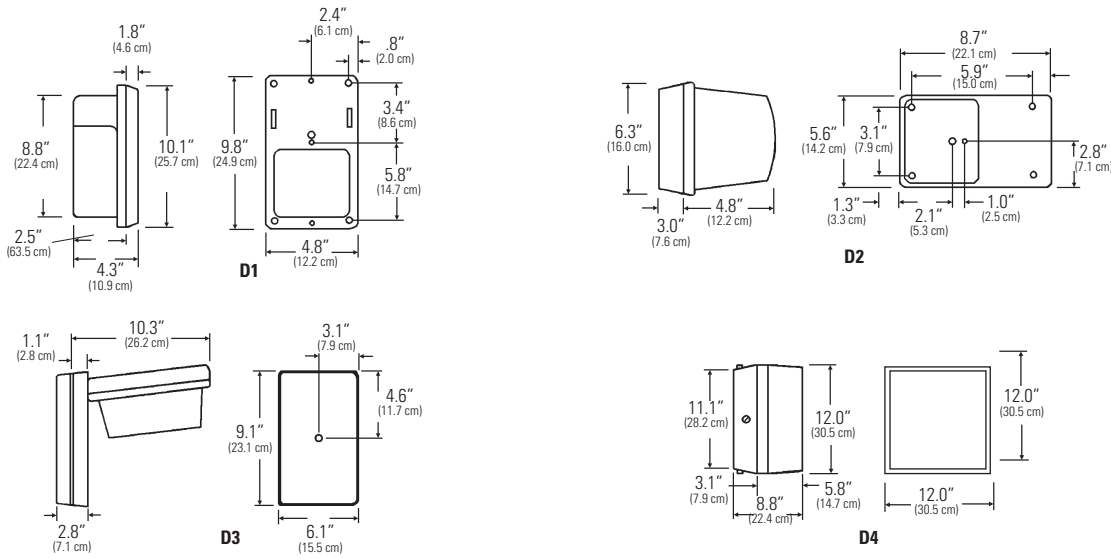








D Series Emergency Lighting **D**

The D Series features attractive wet and damp location listed fixtures that are ideal for exterior locations such as corridors.



Complete Fixture consists of unit plus miniature DC bayonet base lamps.

How to Specify:

			
SERIES	LENS TYPE	HOUSING COLOR	POWER EQUIPMENT
D1 D2 D3 D4	C = Clear Prismatic W = Opal White	(See Color Chart) BK = Black WH = White BR = Bronze	1 = 120 VAC 2 = 277 VAC EM = Emergency Operation

Color Selection Chart

SERIES	BLACK	WHITE	BRONZE
D1	Yes	Yes	Yes
D2	Yes	Yes	Yes
D3	Yes	No	Yes
D4	No	No	Yes

Features

- 1. Illumination:** Accomplished with compact fluorescent lamps in AC operation, and wedge base incandescent lamps in emergency operation.
- 2. Housing:** Constructed of impact resistant polycarbonate. Housing is available in black, white or bronze with a clear or opal white lens.
- 3. Electronics:** 120/277 VAC dual voltage input with surge-protected, solid-state circuitry. Must specify choice of 120 or 277 VAC on AC only fixtures. Low temperature ballast available on AC only fixtures.
- 4. Battery:** Maintenance free, sealed nickel cadmium battery has an estimated service life of 10 years, and an operating temperature range of 20°F (-7°C) to 95°F (35°C).
- 5. Input Power Requirements:** D1, D2, D3: 0.15 amps, 17 watts;
D4: 0.30 amps, 34 watts.

Options

- TP** = Tamperproof (requires TPTOOL, ordered separately)
CW = Cold Weather Ballast (AC only)
Conduit Connections 1:
T = Top Conduit Connection
B = Bottom Conduit Connection
R = Right Conduit Connection
L = Left Conduit Connection

NOTES:

1) Not required for D1 units which come standard with 5 knockouts. D2 and D3 units are suitable for use with 1/2" conduit. D4 units are suitable for use with 1/2" or 3/4" conduit. Must specify conduit locations based on facing fixture.

Please consult factory if two circuits are required. If product will be controlled by lighting contactor, photocell or time clock, please consult factory to ensure compatibility. Non-emergency (AC Only) models contain no battery or battery charging components, and are offered only for matching product.

Lamp Operation

Series	AC Mode	Emergency Mode
D1	(1) 13 Watt Twin Tube Compact Fluorescent Lamp	(2) 4 VDC, 4 Watt Wedge Base Incandescent Lamps
D2	(1) 13 Watt Quad Tube Compact Fluorescent Lamp	(2) 4 VDC, 4 Watt Wedge Base Incandescent Lamps
D3	(1) 13 Watt Quad Tube Compact Fluorescent Lamp	(2) 4 VDC, 4 Watt Wedge Base Incandescent Lamps
D4	(2) 13 Watt Twin Tube Compact Fluorescent Lamps	(2) 6 VDC, 5.4 Watt Wedge Base Incandescent Lamps

Warranty

Electronics: 1 year; Battery: 1 year

Job Information	Type:
Job Name:	
Cat. No.:	
Lamp(s):	
Notes:	

Lightolier a Genlyte Thomas Company www.lightolier.com
 631 Airport Road, Fall River, MA 02720 • (508) 679-8131 • Fax (508) 674-4710
 We reserve the right to change details of design, materials and finish.
 © 2002 Genlyte Thomas Group LLC (Lightolier Division) • C0303

LIGHTOLIER®