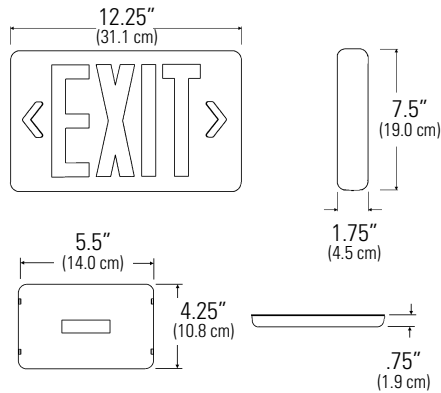
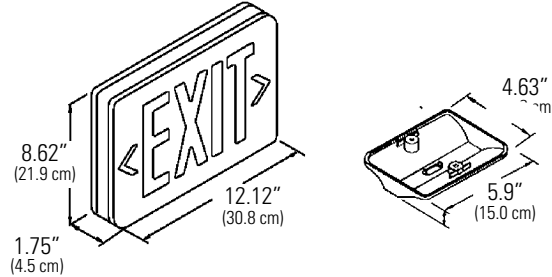




The LL Series Thermoplastic LED Exit is a compact exit sign that blends with modern interiors with its softly rounded corners and universal mounting configuration. The LL Series is extremely easy to install, and provides years of low cost, efficient service.



### Dimensions with Self-Diagnostics Option



Complete Fixture consists of base exit sign.

### How to Specify:

<b>LL</b>	<input type="checkbox"/>	<input type="checkbox"/>	<input type="checkbox"/>	<input type="checkbox"/>
<b>SERIES</b>	<b>BATTERY</b>	<b>FACES</b>	<b>LETTER COLOR</b>	<b>STENCIL FACE/ HOUSING COLOR</b>
LL = LL Series LED Exit	A = AC Only N = Nickel Cadmium	U = Universal	R = Red G = Green	W = White B = Black

### Features

- 1. Illumination:** Illumination of the exit stencil face is accomplished with long lasting, high output Light Emitting Diodes (LEDs). Hot spots and striations are eliminated by the internal "light chamber" especially designed around the high performance LED array. LEDs and support electronics have an expected service life of 25 years.
- 2. Housing:** Constructed of impact resistant, UL 94 V-0, 5 VA white or black thermoplastic. NFPA-type field selectable chevrons can be installed/removed from outside the exit housing. Housing design simplifies installation, and does not require hard wire terminations inside of the exit housing. Product can also be ceiling mounted to a standard junction box by using the mounting canopy supplied.
- 3. Electronics:** 120/277 VAC dual voltage input with surge-protected, solid-state circuitry. Charging system is complete with low voltage disconnect, AC lockout, brownout protection, AC indicator lamp and test switch.
- 4. Battery:** Maintenance free, sealed nickel cadmium battery has an estimated service life of 10 years, and an operating temperature range of 20°F (-7°C) to 95°F (35°C).
- 5. Input Power Requirements:** AC Only - Red: .93 W; Green: .72 W  
Emergency Operation - Red: 1.55 W; Green: 1.85 W

### Code Compliance

UL 924 listed for damp locations

### Warranty

Three year full electronics warranty

Five year full plus five year pro-rated nickel cadmium battery warranty

### Options

SD = Self-Diagnostics

### Job Information

### Type:

**Job Name:**

**Cat. No.:**

**Lamp(s):**

**Notes:**

Lightolier a Genlyte Thomas Company [www.lightolier.com](http://www.lightolier.com)  
631 Airport Road, Fall River, MA 02720 • (508) 679-8131 • Fax (508) 674-4710  
We reserve the right to change details of design, materials and finish.  
© 2004 Genlyte Thomas Group LLC (Lightolier Division) • D0304

# LIGHTOLIER