

Type _____
 Catalog No. _____

Kaleidoscope™ Vaportite Series

Wall Mount Luminaire

APPLICATIONS

- Restaurants, Taverns or Nightclubs, Food Courts, Atriums or Plazas, Malls, Retail Outlets, Stores, Athletic Clubs and Facilities, Theatres, Arenas, Stadiums, Amusement Parks.

CONSTRUCTION

- Precision die-cast aluminum electrical enclosure.
- Heat and shock resistant, prismatic glass optical chamber with neoprene gasketing.
- Corrosion resistant Duraplex II white polyester powder coated finish.
- Optional designer finishes available. See page 281 in the ExceLine catalog.

ELECTRICAL

- Porcelain spring-loaded 4KV pulse rated socket-medium base.
- Compact Fluorescent ballasts are Electronic High Power Factor >95%, <10% THD.
- PLT four pin base GX24q-1(13W), GX24q-2(18W), GX24q-3(26/32W), GX24q-4(42W) .
- Starting temperature: LX(HPS)-40°F/-40°C, MA(MH)-20°F/-30°C, HF(PLT)0°F/-18°C, HF(PL)13W 32°F/0°C.

OPTICS

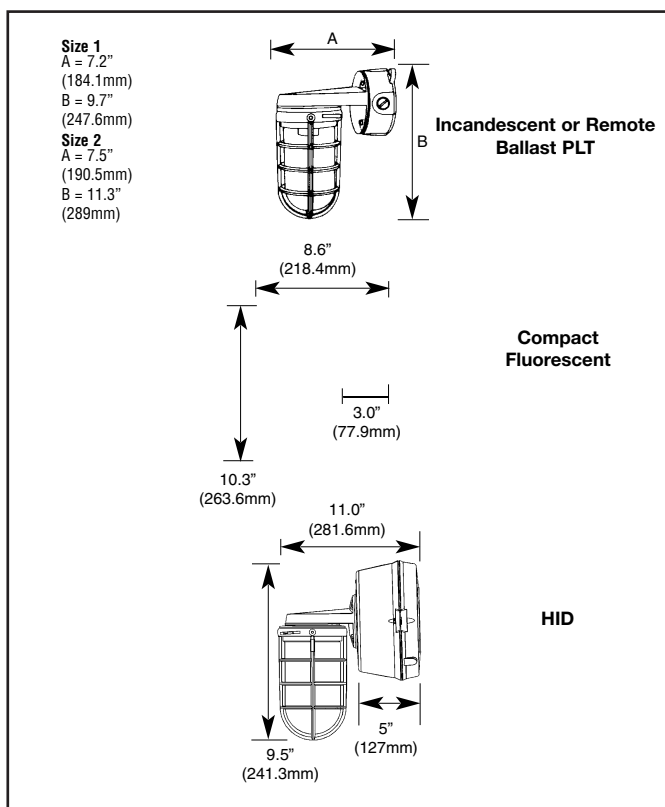
- Low glare clear prismatic glass globe standard.
- Approximately 40% uplight.

MOUNTING

- One person installation.
- Pre-mountable base for hands free wiring.

WARRANTY/LISTINGS

- UL 1572 listed for wet locations.
- Published five year limited warranty.



70 to 175 Watt (MA) Metal Halide
35 to 150 Watt (LX) High Pressure Sodium
13 to 42 Watt (HF) Compact Fluorescent
100 and 200 Watt (IN) Incandescent

Not for use in hazardous or classified locations
Not for recessed mounting

ORDERING GUIDE EXAMPLE

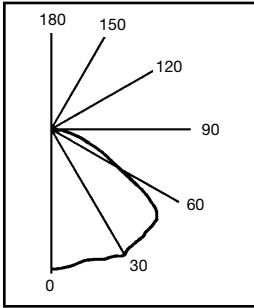
ISO 9001 Registered

Prefix	Wattage	Source	Lamp	Globe	Cage	Options	Voltage
RLW	70(ED17) ¹ 100(ED17) ¹ 150(ED17) ⁶ 175(ED17)	MA	L	AG=Amber ⁵ BG=Blue ⁵ CG=Clear G=Clear Prismatic GG=Green ⁵ LG=Lexan ⁷ OG=Opal ⁵ RG=Ruby ⁵	C Blank=No Cage	See options/acc's end of this section.	1=120 4=277 6=120/277 8=120-277
	35(ED17) 50(ED17) 70(ED17) 100(ED17) 150(ED17)	NLX ² NLX ² or LX ³ NLX ² or LX ³ LX ³ LX ³					
	13(PLC) 18(PLT) 26(PLT) 32(PLT) 42(PLT)	HF ⁴					
	100(A) 200(A)	IN					

¹Voltage is 6(120/277)HX/HPF. ²Normal Power Factor. Voltage is 1(120). ³Voltage is 8(120-277).
⁴Voltage is 1(120) or 4(277). ⁵150W HID maximum on all colored globes.
⁶150W MA units utilize ANSI code M107 lamps. ⁷Size 1 60W Incandescent Maximum and Size 2 75W Incandescent Maximum.



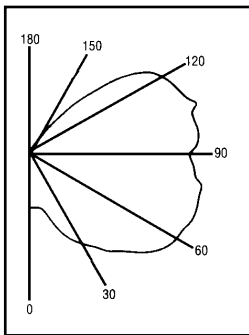
Kaleidoscope™ Vaportite Series



RL(#)**50WSLGC-1** w/RH14R
 Lamp: 50W White SON®, 2700K, Med. Base
 Lumens: 2,190
 Report #'s EX95063
 Eff.= 44.7% S/MH= 1.5

Coefficients of Utilization													RF = 20	
RC	80				50				30				10	0
RW	70	50	30	10	50	30	10	50	30	10	50	30	10	0
1	49	47	45	43	44	43	41	42	41	40	41	40	39	38
2	44	41	38	35	38	36	34	37	35	33	36	34	33	32
3	40	36	32	29	34	31	28	32	30	28	31	29	27	27
4	37	32	28	25	30	27	24	29	26	24	28	25	23	22
5	34	28	24	21	27	23	21	26	23	20	25	22	20	19
6	31	25	21	18	24	20	18	23	20	18	22	20	17	17
7	29	23	19	16	21	18	16	21	18	15	20	17	15	14
8	27	20	17	14	20	16	14	19	16	14	18	16	14	13
9	25	19	15	12	18	15	12	17	14	12	17	14	12	11
10	23	17	13	11	16	13	11	16	13	11	16	13	11	10

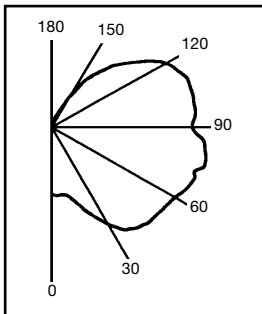
CANDLEPOWER DISTRIBUTION	
Deg.	C.P.
0	280
10	275
20	277
30	289
40	279
50	269
60	148
70	71
80	25
90	0
100	0
110	0
120	0
130	0
140	0
150	0
160	0
170	0
180	0



RL(#)**50WSLGC-1**
 Lamp: 50W White SON®, 2700K, Med. Base
 Lumens: 2190
 Report # - EX95064
 Eff.= 65.4% S/MH= 3.0

Coefficients of Utilization													RF = 20	
RC	80				50				30				10	0
RW	70	50	30	10	50	30	10	50	30	10	50	30	10	0
1	61	57	53	49	44	41	39	37	35	39	30	28	27	23
2	54	47	42	37	37	33	29	30	27	24	24	22	20	16
3	48	40	34	29	31	26	23	25	22	19	20	17	15	12
4	44	35	28	23	27	22	18	22	18	15	17	14	12	9
5	40	31	24	19	23	19	15	19	15	12	15	12	10	7
6	36	27	21	16	21	16	13	17	13	10	13	10	8	6
7	33	24	18	14	19	14	11	15	11	9	12	9	7	5
8	31	22	16	12	17	12	9	14	10	8	11	8	6	4
9	29	20	14	10	15	11	8	12	9	7	10	7	5	4
10	27	18	13	9	14	10	7	11	8	6	9	6	4	3

CANDLEPOWER DISTRIBUTION	
Deg.	C.P.
0	46
10	49
20	68
30	95
40	116
50	138
60	153
70	158
80	157
90	143
100	153
110	149
120	139
130	103
140	47
150	6
160	3
170	3
180	1



RL(#)**200INGC**
 Lamp: 200W Incandescent, Frosted
 Lumens: 3,910
 Report #'s EX95061
 Eff.= 85.0% S/MH= 2.3

Coefficients of Utilization													RF = 20	
RC	80				50				30				10	0
RW	70	50	30	10	50	30	10	50	30	10	50	30	10	0
1	80	74	69	64	58	54	51	48	45	43	39	37	35	31
2	71	62	55	49	48	43	39	40	36	32	32	29	26	22
3	63	53	45	39	41	35	30	34	29	25	27	23	20	17
4	57	46	38	31	35	29	25	29	24	20	23	19	16	13
5	52	40	32	26	31	25	21	26	21	17	20	16	13	11
6	48	36	28	22	28	22	17	23	18	14	18	14	11	9
7	44	32	24	19	25	19	15	20	16	12	16	13	10	7
8	41	29	21	16	22	17	13	19	14	11	15	11	8	6
9	38	26	19	14	20	15	11	17	12	9	14	10	7	5
10	35	24	17	13	19	13	10	16	11	8	13	9	6	5

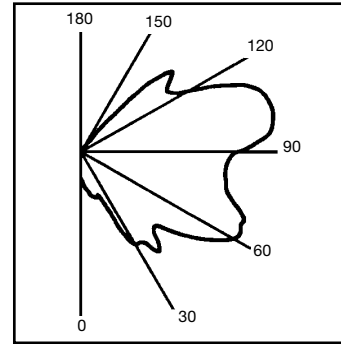
CANDLEPOWER DISTRIBUTION	
Deg.	C.P.
0	153
10	158
20	194
30	257
40	299
50	307
60	320
70	341
80	348
90	312
100	323
110	322
120	292
130	230
140	165
150	76
160	18
170	3
180	0

Kaleidoscope™ Vaportite Series

CANDLEPOWER DISTRIBUTION	
Deg.	C.P
0	221
10	330
20	404
30	867
40	889
50	1022
60	1377
70	1279
80	1144
90	1178
100	1507
110	1415
120	980
130	969
140	523
150	39
160	14
170	1
180	1

RL(#)**175MALGC-8**
 Lamp: 175W MH, Clear, Med. Base
 Lumens: 15,000
 Report # - EX95056
 Eff.= 81.7% S/MH= 4.0

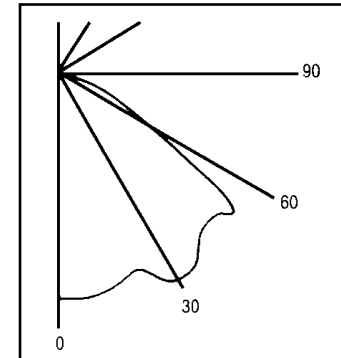
Coefficients of Utilization											RF = 20				
RC	80				50				30				10	0	
RW	70	50	30	10	50	30	10	50	30	10	50	30	10	0	0
1	76	71	66	62	54	51	48	44	42	40	35	33	32	27	
2	67	59	52	47	45	40	36	36	33	30	28	26	23	19	
3	60	50	43	37	38	33	28	31	26	23	24	20	18	14	
4	54	44	36	30	33	27	23	26	22	18	20	17	14	11	
5	49	38	30	24	29	23	19	23	18	15	18	14	11	8	
6	45	34	26	20	25	20	16	20	16	12	16	12	9	7	
7	42	30	23	17	23	17	13	18	14	10	14	10	8	5	
8	38	27	20	15	20	15	11	16	12	9	13	9	7	5	
9	36	24	18	13	19	13	10	15	11	8	12	8	6	4	
10	33	22	16	11	17	12	9	14	10	7	11	7	5	3	



CANDLEPOWER DISTRIBUTION	
Deg.	C.P
0	2461
10	2473
20	2359
30	2635
40	2424
50	2359
60	1304
70	618
80	232
90	1
100	1
110	2
120	1
130	1
140	2
150	2
160	3
170	2
180	2

RL(#)**175MALGC w/RH14R**
 Lamp: 175W MH, Clear, Med. Base
 Lumens: 15,000
 Report # - EX95058,
 Eff.= 59% S/MH= 1.6

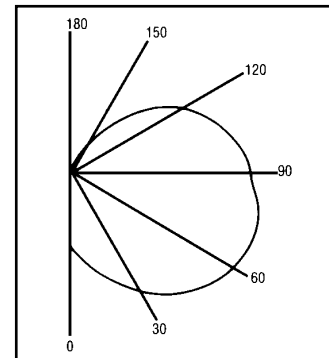
Coefficients of Utilization											RF = 20				
RC	80				50				30				10	0	
RW	70	50	30	10	50	30	10	50	30	10	50	30	10	0	0
1	64	62	59	57	58	56	54	56	54	53	53	52	51	50	
2	59	54	50	47	51	48	45	49	46	44	47	45	43	42	
3	53	47	42	38	44	41	37	43	40	37	41	38	36	35	
4	49	41	36	32	39	35	32	38	34	31	37	33	31	29	
5	44	37	31	27	35	30	27	34	30	27	33	29	26	25	
6	41	33	28	24	31	27	23	30	26	23	29	26	23	22	
7	38	30	24	21	31	27	23	30	26	23	29	26	20	19	
8	35	27	22	18	26	21	18	25	21	18	24	20	18	17	
9	33	24	19	16	23	19	16	23	19	16	22	18	16	15	
10	30	22	18	14	21	17	14	21	17	14	20	17	14	13	



CANDLEPOWER DISTRIBUTION	
Deg.	C.P
0	65
10	78
20	99
30	123
40	149
50	171
60	185
70	193
80	194
90	182
100	179
110	164
120	144
130	117
140	80
150	41
160	9
170	0
180	1

RL(#)**32HFLGC**
 Lamp: 32W Compact Fluorescent
 3,000K, Lumens: 2,400
 Report # - EX95065
 Eff.= 76.4 S/MH= 2.9

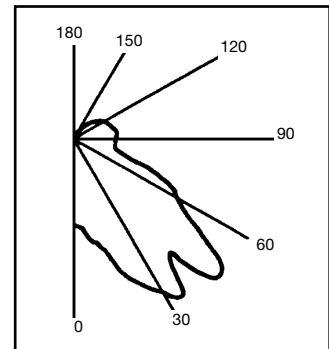
Coefficients of Utilization											RF = .20				
RC	80				50				30				10	0	
RW	70	50	30	10	50	30	10	50	30	10	50	30	10	0	0
1	72	66	62	57	52	49	46	43	41	39	36	34	32	28	
2	63	55	49	43	43	38	34	36	32	29	29	26	23	20	
3	57	47	40	34	36	31	27	30	26	22	24	21	18	15	
4	51	41	33	27	32	26	22	26	22	18	21	17	14	11	
5	47	36	28	23	28	22	18	23	18	15	18	15	12	9	
6	43	32	24	19	25	19	15	20	16	12	16	13	10	7	
7	39	28	21	16	22	17	13	18	14	11	14	11	8	6	
8	36	25	19	14	20	15	11	16	12	9	13	10	7	5	
9	34	23	17	12	18	13	10	15	11	8	12	9	6	4	
10	31	21	15	11	17	12	8	14	10	7	11	8	5	4	



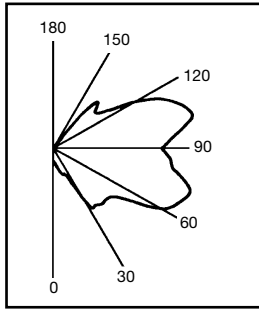
CANDLEPOWER DISTRIBUTION	
Deg.	C.P
0	148
10	179
20	242
30	300
40	253
50	315
60	197
70	100
80	70
90	70
100	73
110	67
120	59
130	45
140	26
150	12
160	5
170	5
180	5

RL(#)**32HFLGC-4 w/RG12R**
 Lamp: 32W Compact Fluorescent, PLT,
 3000K
 Lumens: 2,400
 Report #'s EX95066
 Eff.= 67.8% S/MH= 2.2

Coefficients of Utilization											RF = 20				
RC	80				50				30				10	0	
RW	70	50	30	10	50	30	10	50	30	10	50	30	10	0	0
1	69	66	63	60	57	55	53	52	51	49	48	46	45	43	
2	63	57	52	47	49	46	43	45	42	40	41	39	37	34	
3	57	49	43	39	43	39	35	39	36	33	36	33	30	28	
4	51	43	37	32	38	33	29	34	30	27	31	28	25	23	
5	47	38	31	27	33	28	24	30	26	23	28	24	21	20	
6	43	34	27	23	30	25	21	27	23	20	25	21	18	17	
7	40	30	24	20	26	22	18	24	20	17	22	19	16	14	
8	36	27	21	17	24	19	16	22	18	15	20	17	14	12	
9	34	25	19	15	22	17	14	20	16	13	18	15	12	11	
10	32	22	17	13	20	15	12	18	14	11	17	13	11	9	



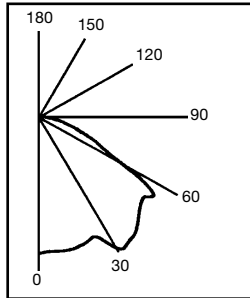
Kaleidoscope™ Vaportite Series



CANDLEPOWER DISTRIBUTION	
Deg.	C.P.
0	124
10	197
20	282
30	647
40	751
50	708
60	1136
70	1265
80	1068
90	963
100	1228
110	1254
120	902
130	532
140	451
150	36
160	13
170	3
180	3

RL(#)**150LXCLGC-8**
 Lamp: 150W Comfort™ HPS, Clear, Med. Base
 Lumens: 12,000
 Report #'s EX95059
 Eff. = 81.4% S/MH= 4.3

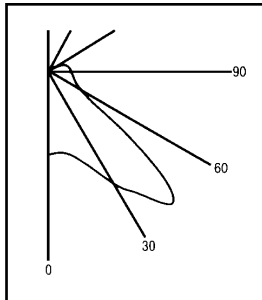
Coefficients of Utilization										RF = 20						
RC	80			50			30			10			0			
RW	70	50	30	10	50	30	10	50	30	10	50	30	10	0	0	0
1	75	70	65	60	54	50	47	44	41	39	35	33	31	27		
2	66	58	51	45	44	39	35	36	32	28	28	25	22	18		
3	59	49	41	35	37	31	27	30	25	22	23	20	17	13		
4	54	42	34	28	32	26	21	25	21	17	20	16	13	10		
5	49	37	29	23	28	22	17	22	18	14	17	13	10	7		
6	44	33	25	19	25	19	15	20	15	11	15	11	8	6		
7	41	29	22	16	22	16	12	18	13	10	13	10	7	5		
8	38	26	19	14	20	14	11	16	11	8	11	8	5	4		
9	35	24	17	12	18	13	9	14	10	7	11	8	5	3		
10	33	22	15	11	16	11	8	13	9	6	10	7	5	3		



CANDLEPOWER DISTRIBUTION	
Deg.	C.P.
0	1748
10	1743
20	1724
30	1937
40	1897
50	1675
60	1150
70	515
80	184
90	0
100	0
110	0
120	0
130	0
140	0
150	1
160	1
170	1
180	1

RL(#)**150LXCLGC-8 w/RH14R**
 Lamp: 150W Comfort™ HPS, Clear, Med. Base
 Lumens: 12,000
 Report #'s EX95060
 Eff. = 56.6% S/MH= 1.7

Coefficients of Utilization										RF = 20						
RC	80			50			30			10			0			
RW	70	50	30	10	50	30	10	50	30	10	50	30	10	0	0	0
1	62	59	57	55	55	54	52	53	52	50	51	50	49	48		
2	56	51	47	44	48	45	43	46	44	42	45	42	41	39		
3	51	45	40	36	42	38	35	40	37	35	39	36	34	33		
4	46	39	34	30	37	33	30	36	32	29	34	31	29	27		
5	42	35	29	26	33	28	25	32	28	25	31	27	25	23		
6	39	31	26	22	29	25	22	28	24	21	27	24	21	20		
7	36	28	23	19	26	22	19	26	22	19	22	19	16	17		
8	33	25	20	17	24	20	16	23	19	16	22	19	16	15		
9	31	23	18	15	22	18	15	21	17	15	21	17	14	13		
10	29	21	16	13	20	16	13	19	16	13	19	15	13	12		



CANDLEPOWER DISTRIBUTION	
Deg.	C.P.
0	478
10	468
20	536
30	740
40	995
50	765
60	231
70	156
80	147
90	140
100	136
110	121
120	66
130	23
140	10
150	7
160	6
170	7
180	7

RL(#)**200INGC w/RG16R**
 Lamp: 200W Incandescent, Frosted
 Lumens: 3,910
 Report # - EX95062
 Eff. = 78.1 S/MH= 1.8

Coefficients of Utilization										RF = 20						
RC	80			50			30			10			0			
RW	70	50	30	10	50	30	10	50	30	10	50	30	10	0	0	0
1	82	78	74	71	69	67	64	64	62	60	52	58	47	54		
2	74	68	62	58	60	56	53	56	53	50	52	50	47	45		
3	68	59	53	48	53	48	44	49	45	42	46	43	40	38		
4	62	52	45	40	47	42	37	44	39	36	41	37	34	32		
5	56	46	39	34	42	36	32	39	34	31	37	32	29	27		
6	52	41	34	29	37	32	28	35	30	26	33	29	25	23		
7	48	37	30	25	34	28	24	32	27	23	30	25	22	20		
8	44	33	27	22	30	25	21	29	24	20	27	23	19	18		
9	41	30	24	19	28	22	18	26	21	18	24	20	17	15		
10	38	28	21	17	25	20	16	24	19	16	22	18	15	14		