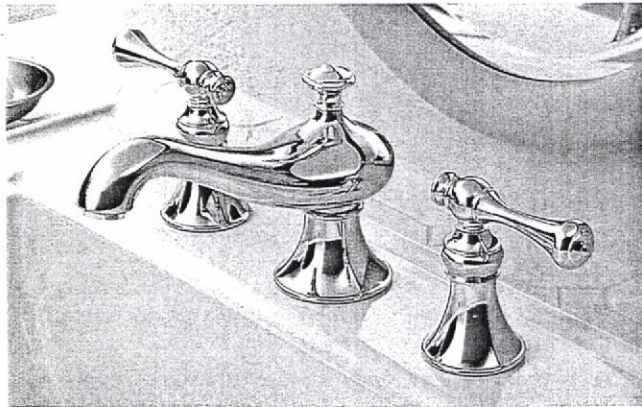


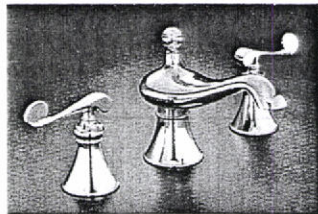
REVIVAL

INTRODUCTION

Revival faucets blend European style with early American influences. Curved spouts flow into pedestal bases. Scroll lever, traditional lever or faceted dome handles provide added appeal. Washerless ceramic valving ensures years of reliable use. Revival accessories carry traditional style throughout the room.



Finish Selection



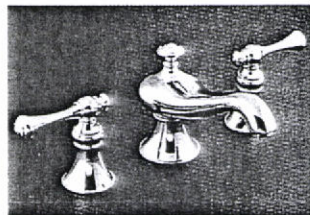
Polished Brass



Polished Chrome

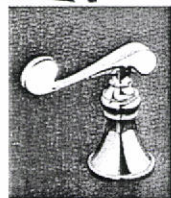


Brushed Chrome



Polished Chrome with Polished Brass Highlights

Handle Selection



Scroll Lever (-4)

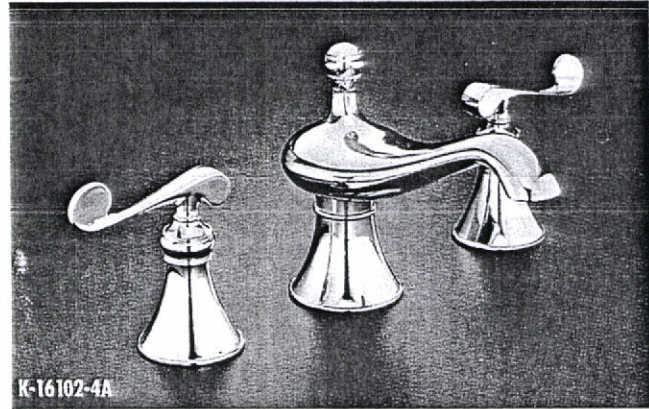


Traditional Lever (-4A)



Dome (-8)

LAVATORY



Revival widespread lavatory faucet with scroll lever handles in polished brass.



- Part of the Revival Collection
- Centerset, centerspread, and widespread versions
- Classic European and Early American influences blend into traditional style
- Washerless ceramic valving and solid brass construction for years of reliable use

Order model with desired finish to complete.

ADA

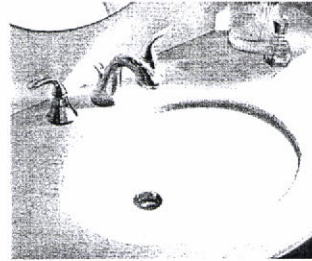
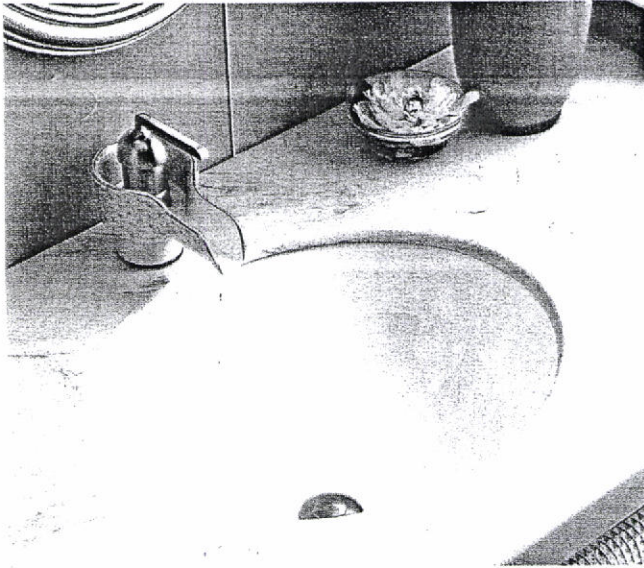


Model	Spout		Handle	Includes	Color/Finish	Notes
	Reach	Height				
Centerset						
K-16100-4	5 1/4"	4"	Scroll lever	Handles, spout, aerator, pop-up drain w/1 1/4" tailpiece	CP, G, PB	For 4" centers
K-16100-4A			Traditional lever		CB, CP, G, PB	
Centerspread						
K-16101-4	5 1/4"	3 3/8"	Scroll lever	Handles, spout, aerator, pop-up drain w/1 1/4" tailpiece	CP, G, PB	For 4" centers
K-16101-4A			Traditional lever		CB, CP, G, PB	
Widespread						
K-16102-4	5 1/4"	4 1/8"	Scroll lever	Handles, spout, aerator, pop-up drain w/1 1/4" tailpiece, flexible connections	CP, G, PB	For 8"-16" centers
K-16102-4A			Traditional lever		CB, CP, G, PB	
K-16102-8			Dome		CP, PB	

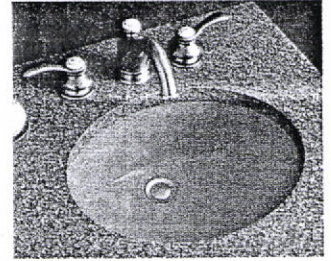
Lever handle products are ADA compliant.

Caxton®

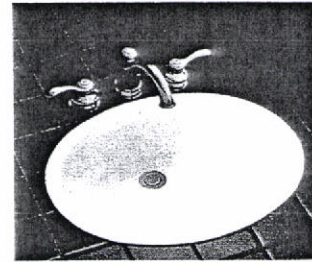
- Tile-in, undercounter and metal frame installations
- Three sizes for undercounter installations



K-2210-Y2



K-2209-G9



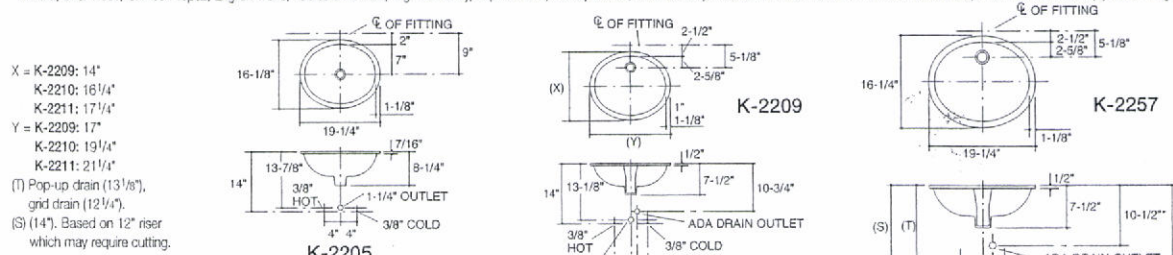
K-2257-0

K-2205-0 Caxton undercounter lavatory in White and Bol ceramic faucet with Silkweave design (K-11000-VT-0).

ADA

Model	K-2209	K-2205	K-2210	K-2205-G	K-2210-G	K-2211-G	K-2211	K-2257	More Info.	
Drain	Rear	Center	Rear	Center			Rear			
Installation	Undercounter								Tile-in or Metal frame	
Bottom of Bowl	Unglazed	Unglazed less overflow	Unglazed	Glazed less overflow			Unglazed			
Faucet Drilling	None									
Overall Dimensions	17" x 14" (432 x 356 mm)		19 1/4" x 16 1/8" (489 x 410 mm)		21 1/4" x 17 1/4" (540 x 438 mm)		19 1/4" x 16 1/4" (489 x 413 mm)			
Basin Dimensions	15" x 12"		17" x 14"		19" x 15"		17" x 14"			
Includes	52047 clamp assembly									
Material	Vitreous china									
Recommended 3/8" Angle Supplies w/Stops	K-7605-P									
1 1/4" P-Trap	K-8998									
Metal Frame									K-6686 when lavatory installed with metal frame	
Optional Lavatory Table	K-3103 Telleur									10.24
Faucet	Single-hole, 4" or 8" centers									
Variations										
Artist Editions	—		Laureate	—						Section 9
Color Availability	0, 6, 7, 33, 45, 47, 52, 55, 58, 71, 95, 96, 97, G9, K4, NG, Y2	0, 6, 7, 33, 47, 52, 55, 58, 71, 95, 96, 97, G9, K4, NG, Y2	0, 6, 7, 33, 45, 47, 52, 55, 58, 71, 95, 96, 97, G9, K4, NG, S1, S2, Y2	0, 6, 7, 33, 47, 52, 55, 58, 71, 95, 96, 97, G9, K4, NG, Y2	0, 6, 7, 33, 45, 47, 52, 55, 58, 71, 95, 96, 97, G9, K4, NG, S1, S2, Y2	0, 6, 7, 33, 45, 47, 52, 55, 58, 71, 95, 96, 97, G9, K4, NG, Y2				

* Ankara, Briar Rose, Crimson Topaz, English Trellis, Fables & Flowers, Flight of Fancy, Imperial Blue, Mickey's Wish, Peonies & Ivy, Pheasant, Prairie Flowers, Provincial, Sarea, Serpentine Bronze, Soliloquy, Take Wing

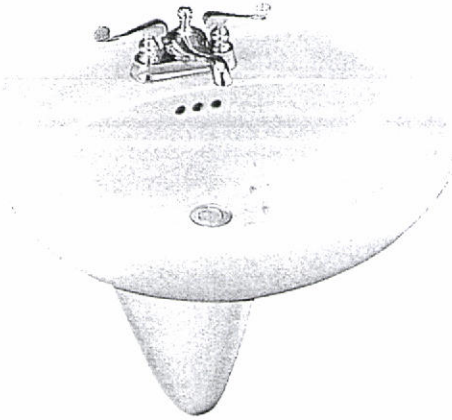


X = K-2209: 14"
K-2210: 16 1/4"
K-2211: 17 1/4"
Y = K-2209: 17"
K-2210: 19 1/4"
K-2211: 21 1/4"
(T) Pop-up drain (1 3/8"),
grid drain (1 1/2").
(S) (14"). Based on 12" riser
which may require cutting.

CHABLIS

24" x 19"

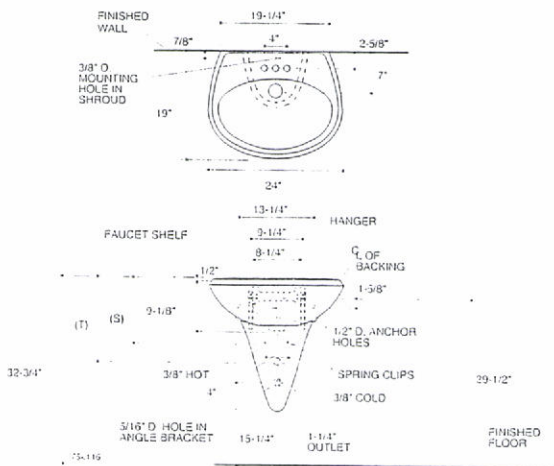
Clean design that coordinates with most Kohler toilets



K-2083-4 Chablis Wall-mount Lavatory in Skylight with Revival faucet (K-16100-4).

- Color-coordinated shroud conceals piping

Model	K-2083-1	K-2083-4	K-2083-8	More info.
Installation	Wall-mount			
Faucet Drilling	Single	4" centers	8" centers	
Overall Dimensions	24" x 19" (610 x 483 mm)			
Basin Dimensions	22" x 13"			
Includes Lavatory/ Shroud	K-2138-1/ K-2143	K-2138-4/ K-2143	K-2138-8/ K-2143	
Material	Vitreous china			14.2
Recommended				
3/8" Angle Supplies w/Stops	K-7605-P			4.19
1/4" Cast Brass P-Trap	K-8998			
Optional				
Faucet	Single-hole	4" centers	8" centers	Section 2
Variations				
Alternate Versions	K-2081-1/-4/-8 pedestal			14.18
NOTE - Must be installed with shroud				



K-2083-4

(T) Pop-up drain (14 3/4").
(S) (11 1/2"). Based on 12" riser which may require cutting.

KOHLER

PINOIR

22" x 18"

Space-saving design at an affordable price



K-2035-4 Pinoir Wall-mount Lavatory in Almond with Coralais faucet (K-15182).

- Transitional styling

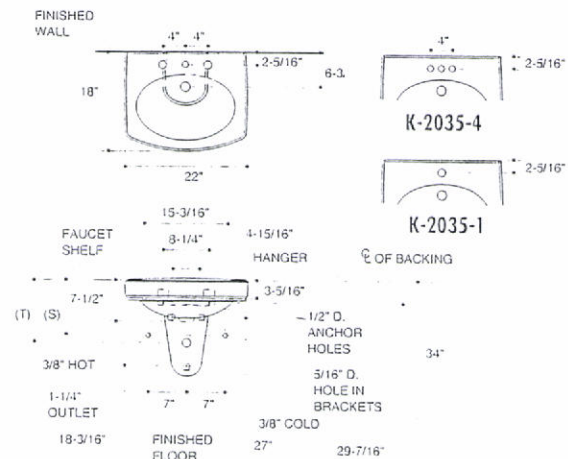
HANDICAP ONLY
WHITE



ADA

Model	K-2035-1	K-2035-4	K-2035-8	More info.
Installation	Wall-mount			
Faucet Drilling	Single	4" centers	8" centers	
Overall Dimensions	22" x 18" (559 x 457 mm)			
Basin Dimensions	18" x 12"			
Includes Lavatory/ Shroud	K-2028-1/ K-2057	K-2028-4/ K-2057	K-2028-8/ K-2057	
Material	Vitreous china			14.2
Recommended				
3/8" Angle Supplies w/Stops	K-7605-P			4.19
1/4" Cast Brass P-Trap	K-8998			
Optional				
Faucet	Single-hole	4" centers	8" centers	Section 2
Variations				
Alternate Version	K-2015-1/-4/-8 pedestal			14.20
NOTE - Must be installed with shroud				

For soap lotion dispenser drilling add (-L) for left-hand soap dispenser drilling or (-R) for right-hand soap dispenser drilling; for K-2028-1 lavatory only.

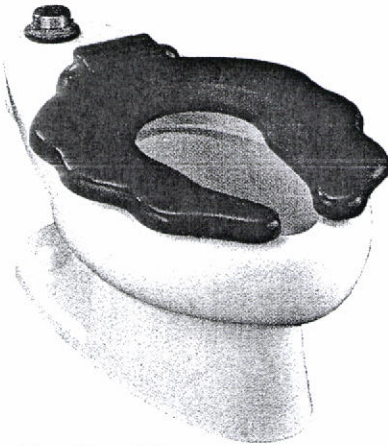


K-2035-8

(T) Pop-up drain (10 3/4").
(S) (10"). Based on 12" riser which may require cutting.

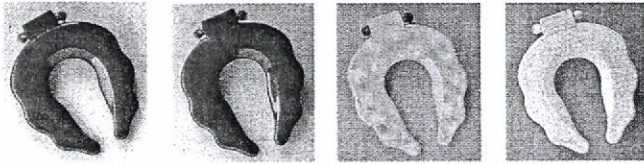
TOILETS

PRIMARY™



K-4321-B Primary Toilet in White with blue seat.

- Low bowl height to accommodate kindergartens, grade schools, daycare centers, and children's wards
- Includes Primary seat with smaller opening and scalloped side handles for comfort and support of young children
- Elongated-bowl design with round-front bowl opening

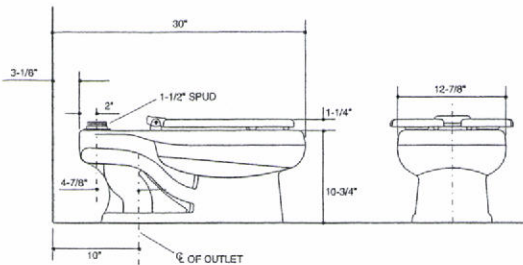


Model	K-4321*	More Info.
Bowl Style	Elongated	
Overall Dimensions (Front/Back x Side/Side x Height)	30" x 12 ⁷ / ₈ " x 10 ³ / ₄ " (762 x 305 x 273 mm)	
Height to Rim	10 ³ / ₄ " (273 mm)	
Operating System	Siphon jet	15.3
Gallons Per Flush	1.6	
Includes	Primary toilet seat, and 1 ¹ / ₂ " (38 mm) top spud	
Minimum Rough-in	10" (254 mm)	
Passageway	2 ¹ / ₈ "	
Recommended		
Application	Class 2, 3	

NOTE - A minimum of 35 psi static water pressure/25 gpm is required at bowl. Primary Toilet is designed to flush with 1.6 gallons of water when installed with a 1.6 gallon flush valve. Refer to manufacturer's instructions and local codes for approved flush valve installation and requirements.

* Add the appropriate color from the listing below to receive a White toilet with:
 (-O) White seat w/white hinges (-R) Red seat w/green hinges
 (-B) Blue seat w/green hinges (-Y) Yellow seat w/green hinges

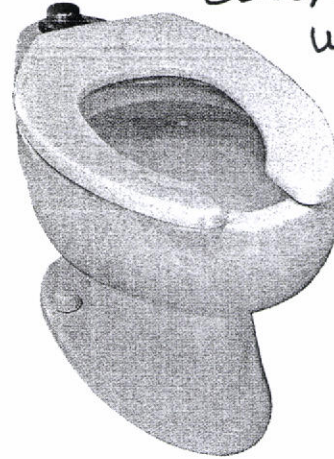
IMPORTANT: The Primary toilet seat is a perfect fit for the Primary toilet. It will fit only on the Primary toilets and toilets with round-front bowls.



K-4321

STD. MEMBER TOILET™
WELLCOMME™

COLOR WHITE WITH STD EXPOSED FLUSH VALVE

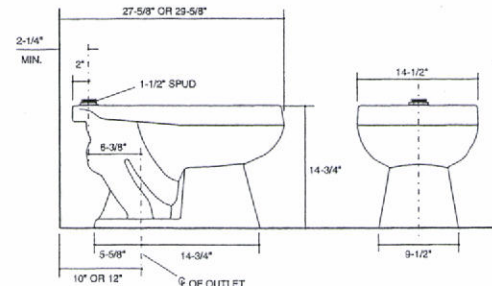


K-4350 Wellcome Toilet with Lustra seat (K-4670-C) in Almond.

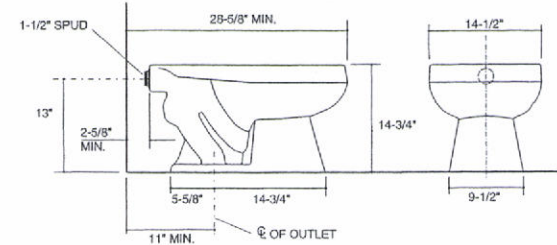
Model	K-4349	K-4350*	More Info.
Spud	Rear	Top	
Bowl Style	Elongated		
Minimum Rough-in	11" (279 mm)	10" or 12" (254 or 305 mm)	
Overall Dimensions (for 10" rough-in) (Front/Back x Side/Side/ x Height)	27 ⁵ / ₈ " x 14 ¹ / ₂ " x 14 ³ / ₄ " (702 x 368 x 375 mm)		
Height to Rim	14 ³ / ₄ "		
Operating System	Siphon jet		15.3
Gallons Per Flush	1.6		
Includes	1 ¹ / ₂ " (38 mm) spud and bolt caps		
Passageway	2 ¹ / ₄ "		
Recommended			
Toilet Seat	K-4670-C, K-4670-CA, K-4671-C		17.15
Application	Class 2, 3		
Variations			
With Bedpan Lugs	K-4349-L	K-4350-L	

NOTE - A minimum of 35 psi static water pressure/25 gpm is required at bowl. Wellcome Toilets are designed to flush with 1.6 gallons of water when installed with a 1.6 gallon flush valve. Refer to manufacturer's instructions and local codes for approved flush valve installation and requirements.

* A sweat extension nipple is required for 12" rough-in of K-4350. Refer to manufacturer and local codes.



K-4350



K-4349



HIGHCLIFF™



K-4368-L Highcliff Toilet with Lustra seat (K-4670-C) in White and bedpan washer (K-13960).



K-4368

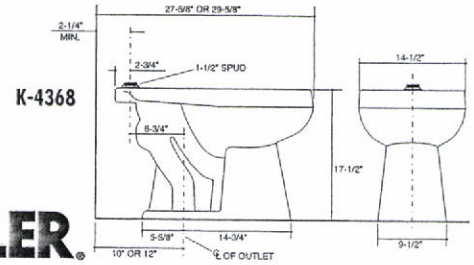
- 17 1/2" high bowl accommodates the elderly and those with special needs
- May be installed as either 10" or 12" rough-in
- Will comply with the ADA when installed per the requirements of the Accessibility Guidelines, Section 4.16 Water Closets, of the Act

ADA

Model	K-4368	K-4367	More Info.
Spud	Top	Rear	
Minimum Rough-in	10" or 12" (254 or 305 mm)	11" (279 mm)	
Bowl Style	Elongated		
Overall Dimensions (for 10" rough-in) (Front/Back x Side/Side x Height)	27 5/8" x 14 1/2" x 17 1/2" (702 x 368 x 445 mm)		
Height to Rim	17 1/2" (445 mm)		
Operating System	Siphon jet		15.3
Gallons Per Flush	1.6		
Includes	1 1/2" top spud	1 1/2" rear spud	
Passageway	2 1/4"		
Recommended			
Toilet Seats	K-4670-C (-CA), K-4671-C, K-4654-A		17.15
Application	Class 2, 3, Handicapped		
Variations			
With Bedpan Lugs	K-4368-L	K-4367-L	

NOTE - A minimum of 35 psi static water pressure/25 gpm is required at bowl. Highcliff Toilet is designed to flush with 1.6 gallons of water when installed with a 1.6 gallon flush valve. Refer to manufacturer's instructions and local codes for approved flush valve installation and requirements.

*A sweat extension nipple is required for 12" rough-in of K-4368. Refer to manufacturer and local codes.

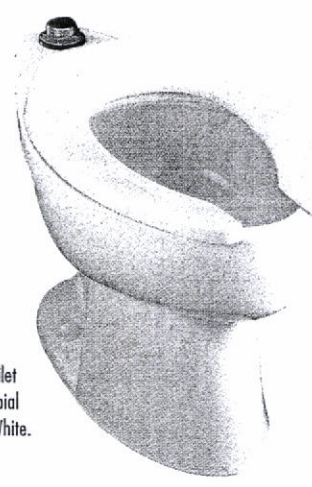


KOHLER

TOILETS EITHER **HANDICAP MEMBER TOILET**

HIGHCREST™

COLOR - WHITE
W/STP.
EXPOSED
FLUSH
VALVE



K-4302 Highcrest Toilet with Lustra Anti-Microbial Seat (K-4670-CA) in White.

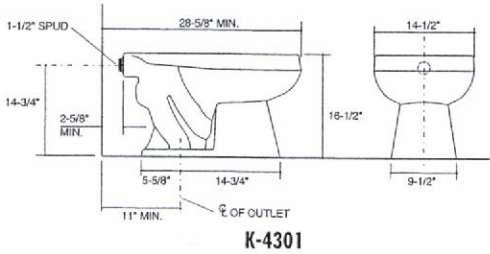
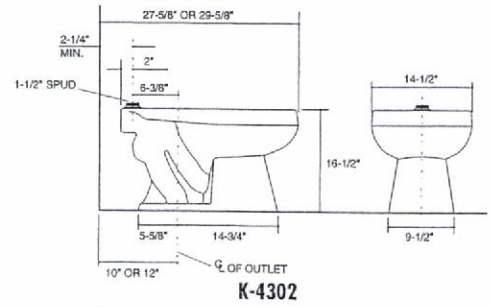
- CSA compliant
- 16 1/2" bowl height accommodates persons with special needs
- Siphon jet flushing
- Will comply with the ADA when installed per the requirements of the Accessibility Guidelines, Section 4.16 Water Closets, of the Act

ADA

Model	K-4302	K-4301	More Info.
Spud	Top	Rear	
Bowl Style	Elongated		
Minimum Rough-in	10" or 12" (254 or 305 mm)	11" (279 mm)	
Overall Dimensions (For 10" rough-in) (Front/Back x Side/Side x Height)	27 5/8" x 14 1/2" x 16 1/2" (702 x 368 x 419 mm)		
Height to Rim	16 1/2" (419 mm)		
Operating System	Siphon jet		15.3
Gallons Per Flush	1.6		
Includes	1 1/2" top spud	1 1/2" rear spud	
Passageway	2 1/4"		
Recommended			
Toilet Seats	K-4670-C (-CA), K-4671-C, K-4654-A		17.15
Application	Class 2, 3, Handicapped		
Variations			
With Bedpan Lugs	K-4302-L	K-4301-L	

NOTE - A minimum of 35 psi static water pressure/25 gpm is required at bowl. Highcrest Toilets are designed to flush with 1.6 gallons of water when installed with a 1.6 gallon flush valve. Refer to manufacturer's instructions and local codes for approved flush valve installation and requirements.

*A sweat extension nipple is required for 12" rough-in of K-4302. Refer to manufacturer and local codes.



BARDON™
TOUCHLESS LITE™ URINAL

VITREOUS CHINA

ADA

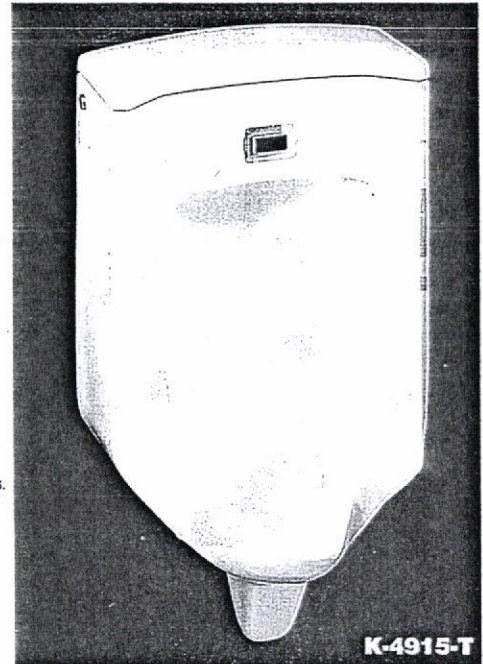
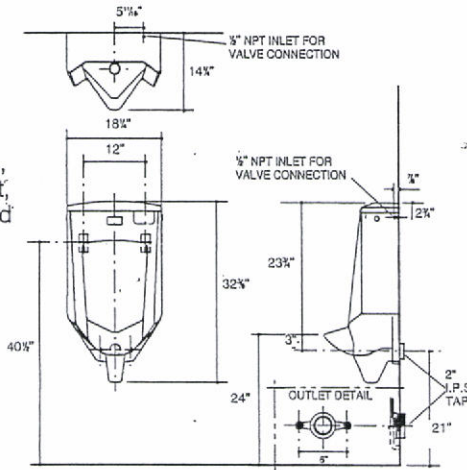
- Meets ADA requirements.
- ½ gallon per flush.
- Integral electronic flush valve for convenient operation.
- Confined infrared beam to avoid unwanted activation by non-users.
- Elongated rim.

K-4915-T Bardon Touchless Lite Urinal, vitreous china. Washout design, elongated rim, ¾" (19 mm) rear spud inlet, 2" (51 mm) I.P.S. outlet, wall hangers and removable beehive strainer.

IMPORTANT — Bardon Touchless Lite Urinal flushes efficiently with ½ gallon of water and operates using standard "C" cell batteries (supplied).

For complete color selection, see Colors section.

Height (Urinal Only) 32½" (822 mm).
Width 18½" (463 mm).
Wall to Front of Flare 14½" (362 mm).



U.S. Pat. Pending
Bardon Touchless Lite Urinal in White.

BARDON
LITE URINAL

ADA

- Meets ADA requirements.
- Elongated rim.
- For installation with flush valve or tank.

K-4960-T Bardon Lite Urinal, vitreous china. Washout design, elongated rim, ¾" (19 mm) top spud inlet, 2" (51 mm) I.P.S. outlet, wall hangers and removable beehive strainer.

K-4960-R Bardon Lite Urinal, same as K-4960-T except with ¾" (19 mm) rear spud inlet.

IMPORTANT — Bardon Lite Urinals flush efficiently with less than one gallon of water when installed with a water-saving flush valve. Refer to manufacturer's instructions and local codes for approved flush valve installation and requirements.

Hardware Recommended for Installation with Tank

K-4570-4 Tank with automatic fittings and ¾" (19 mm) tank connection (for use with either top inlet or rear inlet urinal).

K-9201 Flush pipe for single urinal.

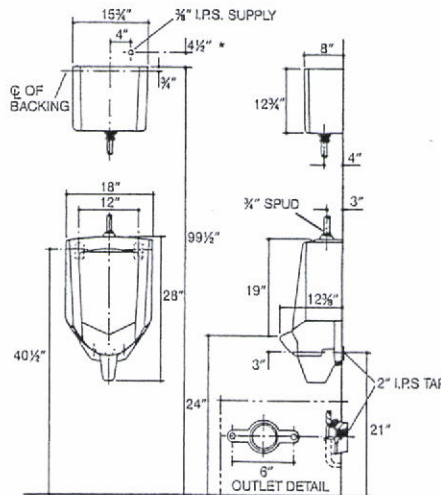
K-9202 Flush pipe for two urinals, 24" length.

For complete color selection, see Colors section.

Height (Urinal Only) 28" (711 mm).
Width 18" (457 mm).
Wall to Front of Flare 12¾" (315 mm).

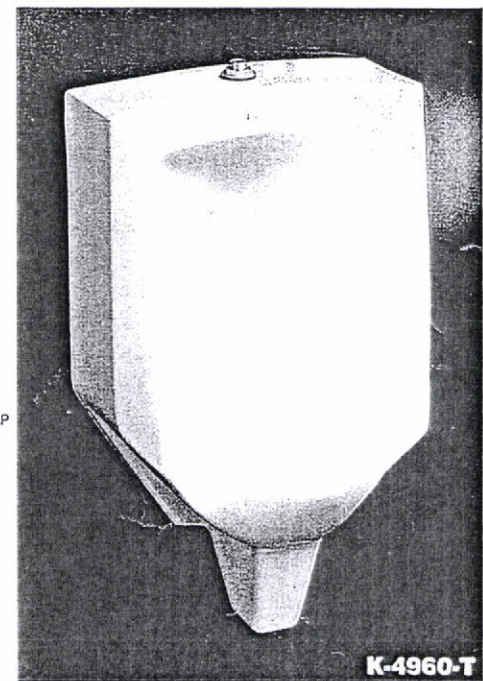
COLOR - WHITE
W/ SLOAN BATTERY OPERATED
FLUSH VALVE

VITREOUS CHINA



K-4960-T

* 4½" dimension provides 1" minimum air gap between flood level of tank and supply water outlet.



U.S. Pat. D294,966; Canada - Kohler Co. Rd./Enr. 1986
Bardon Lite Urinal in Almond.

KOHLER

SLOAN
OPTIMA SYSTEMS
Battery Powered Flushometers



* Model

8110/8111

▶ **Description**

Exposed, Battery Powered, Sensor Operated G2® Model Water Closet Flushometer for floor mounted or wall hung top spud bowls.

▶ **Flush Cycle**

- Model 8111 Low Consumption (1.6 gpf/6.0 Lpf)
- Model 8110 Water Saver (3.5 gpf/13.2 Lpf)

▶ **Specifications**

- Quiet, Exposed, Diaphragm Type, Chrome Plated Closet Flushometer for either left or right hand supply with the following features:
- PERMEX™ Synthetic Rubber Diaphragm with Dual Filtered Fixed Bypass
 - Flex Tube Diaphragm designed for improved life and reduced maintenance
 - ADA Compliant OPTIMA Plus® Battery Powered Infrared Sensor for automatic "No Hands" operation
 - Infrared Sensor with Multiple-focused, Lobular Sensing Fields for high and low target detection
 - Isolated Latching Solenoid Operator, isolates magnetic components from water contact
 - Engineered Metal Cover with replaceable Lens Window
 - User friendly three (3) second Flush Delay
 - Courtesy Flush™ Override Button
 - Four (4) Size AA Batteries factory installed
 - "Low Battery" Flashing LED
 - Infrared Sensor Range Adjustment Screw
 - Initial Set-up Range Indicator Light (first 10 minutes)
 - 1" I.P.S. Screwdriver Bak-Chek™ Angle Stop
 - Free Spinning, Vandal Resistant Stop Cap
 - Adjustable Tailpiece
 - High Back Pressure Vacuum Breaker Flush Connection with One-piece Bottom Hex Coupling Nut
 - Spud Coupling and Flange for 1½" Top Spud
 - Sweat Solder Adapter with Cover Tube and Cast Set Screw Wall Flange
 - High Copper, Low Zinc Brass Castings for Dezincification Resistance
 - Fixed Metering Bypass and No External Volume Adjustment to Ensure Water Conservation
 - Flush Accuracy Controlled by CID™ Technology
 - Diaphragm, Stop Seat and Vacuum Breaker to be molded from PERMEX™ Rubber Compound for Chloramine resistance

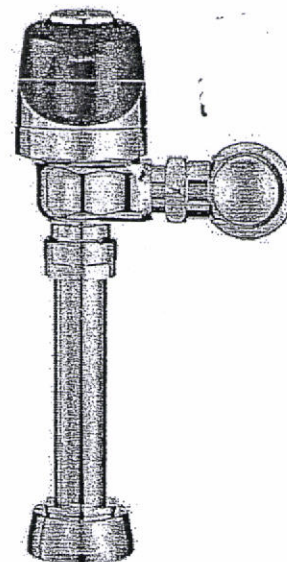
Valve Body, Tailpiece and Control Stop shall be in conformance with ASTM Alloy Classification for Semi-Red Brass. Valve shall be in compliance with the applicable sections of ASSE 1037, ANSI/ASME A112.19.6 and Military Specification V-29193. Installation conforms to ADA requirements.

▶ **Special Finishes**

- PB Polished Brass (PVD Finish)
- GP Gold Plate (PVD Finish)
- BN Brushed Nickel (PVD Finish)
- SF Satin Chrome

See Accessories Section and OPTIMA Accessories Section of the Sloan catalog for details on these and other OPTIMA Plus® Flushometer variations.

BATTERY OPERATED FLUSH VALVE & ORIGINALS ONLY



▶ **ADA Compliant**

▶ **Automatic**

Sloan G2 Optima Plus® Flushometers activate via multi-lobular sensor detection to provide the ultimate in sanitary protection and automatic operation. A battery powered infrared sensor sets the flushing mechanism after the user is detected and completes the flush when the user steps away.

▶ **Functional & Hygienic**

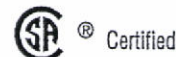
Touchless, sensor operation eliminates the need for user contact to help control the spread of infectious diseases. The G2 Optima Plus Flushometer is provided with an Override Button to allow a "courtesy flush" for individual user comfort.

▶ **Economical**

Sloan installed batteries speed installation and provide years of metered flushing to control the use of water and energy. Batteries can be changed without turning off the water. The patented Isolated Operator ensures reliability by isolating the solenoid components from the water.

▶ **Warranty**

5 year (limited)



This space for Architect/Engineer approval

Job Name _____ Date _____

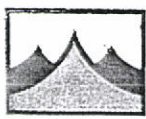
Model Specified _____ Quantity _____

Variations Specified _____

Customer/Wholesaler _____

Contractor _____

Architect _____



SPEAKMAN®

The Difference Is The Experience.

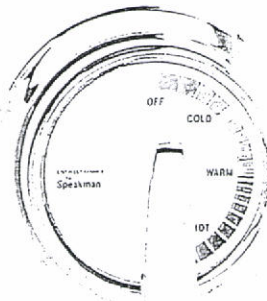
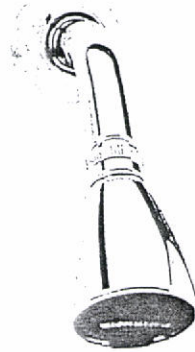
SENTINEL MARK II® REGENCY™

Anti-Scald Balanced Pressure Shower

SM-1402-AF

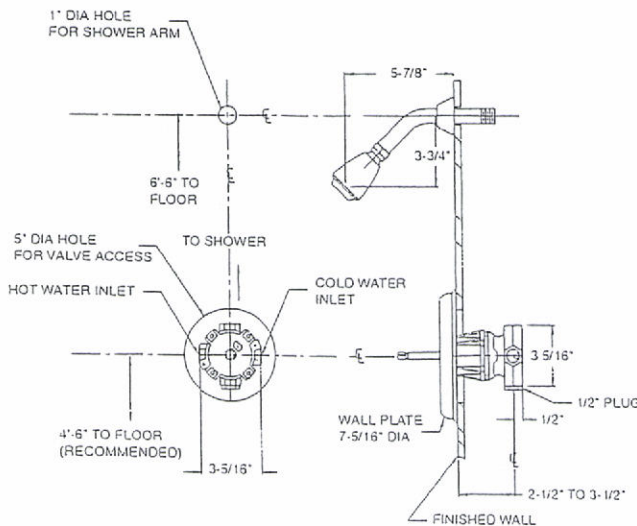
Speakman SENTINEL MARK II REGENCY concealed anti-scald balanced pressure shower. Chrome plated brass wall plate. Patented metal lever hand accommodates roughing-in variations. Adjustable temperature limit stop. Brass body. Noryl® bonnet Pressure balancing module. Ceramic temperature regulating module. Can be installed back-to-back. Roughing-in template. S-2270-AF COSMOPOLITAN showerhead with flow control device reduces flow to 2.5 gpm/9.46 lpm maximum to meet existing ANSI A112.18.1M Standard. S-2500 shower arm a wall flange. Four port valve with 1/2" NPTF inlets at outlets. Furnished with 1/2" pipe plug. Meets ASSE 1016, 1989 Standard.

SM-1402-AF






STANDARD
Showers

CHROME FINISH



NOTE: Unless otherwise specified, all inlets and outlets are 1/2" NPTF. Unless otherwise specified, all dimensions are in inches and are subject to change without notice.

OPTIONS

SUFFIX	DESCRIPTION
<input type="checkbox"/> M	Chrome Plated Brass Lever Handle  M
<input type="checkbox"/> SCS	Spring Check Stops
<input type="checkbox"/> SS	Separate Stops
<input type="checkbox"/> VR	Vandal-Resistant (S-2252, S-2253 only)
<input type="checkbox"/> 2	S-2252-AF ANYSTREAM® Showerhead  2
<input type="checkbox"/> 3	S-2253-AF ANYSTREAM Showerhead  3

13 This space for Architect/Engineer approval.

Speakman Company

P.O. Box 191, Wilmington, DE 19899-0191 USA
1-800-537-2107 Fax: 1-800-977-2747

www.speakmancompany.com

REGENCY — T.M. Speakman Company
SENTINEL MARK II, COSMOPOLITAN and ANYSTREAM —
Registered T.M. Speakman Company
Noryl — Registered T.M. General Electric
© Copyright, Speakman Company, 2000



MEN'S MEMBER SHOWER HEAD

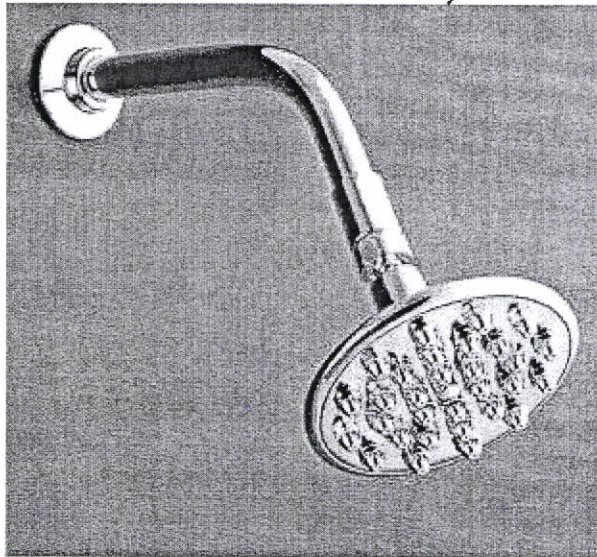
THE BOLD LOOK OF KOHLER.

- Product Catalog & New Products
- Craftsmanship & Heritage
- Designing Your Kitchen & Bath
- More Kohler Kitchen & Bath Businesses
- Where to Buy

Product Catalog > Bathroom > Custom Showering

K-9528-1 Vivacia™ Showerhead with ~~Contrasting~~ Faceplate Finish

- Free E-mail Newsletter
- Help Me Find
- Warranty Info
- Technical Info
- Buy Service Parts
- Logo Merchandise
- Literature
- Press Room
- FAQs
- Career Opportunities
- Contact Us
- Home



- > Colors/Finishes
- > Prices
- > Optional
- > Technical Documentation
- > Why KOHLER Custom Shower Components?
- > Add to Compare

Add to My Folder

See Larger Image

K-9528-1 Vivacia Showerhead shown with optional Shower arm and flange (K-7395)

Features & Benefits

E-mail product to a friend

1/2" IPS connection

Printer Friendly Version

- Solid Brass Construction -- Ensures years of reliable performance

Kohler Colors/Finishes & Prices

Available Colors/Finishes & Prices

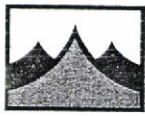
POLISHED CHROME FINISH

Optional

- K-7396** Shower Arm and Flange only with 3" Ceiling-Mount
- K-7397** Shower Arm and Flange 10"

Technical Documentation

- [Specification Sheet](#)
- [Installation Instructions](#)

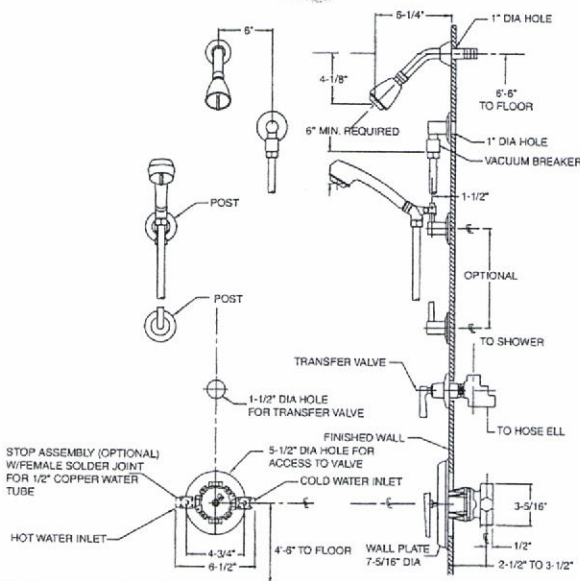
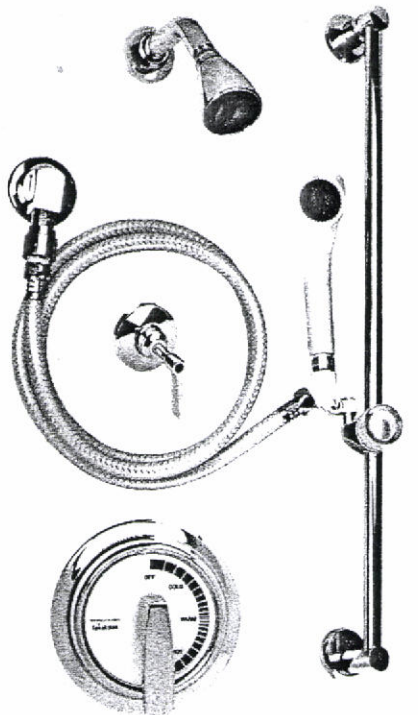


SPEAKMAN®

The Difference Is The Experience.

VERSATILE™

VS-1970-AF



NOTE: Unless otherwise specified, all inlets and outlets are 1/2" NPTF. Locations of shower hangers are optional, but restricted by 69" hose length running from shower arm diverter connection to hand shower. All dimensions are in inches unless otherwise specified and are subject to change without notice.

Shower Combination

VS-1970-AF

Speakman VERSATILE shower system includes SENTINEL MARK II® REGENCY™ concealed anti-scald balanced pressure shower valve and hand held spray combination. Chrome plated metal wall plate with white index. Patented metal lever handle accommodates roughing-in variations. Adjustable temperature limit stop. Brass body. Noryl® bonnet. Pressure balancing module. Ceramic temperature regulating module. Four port valve with 1/2" NPTF inlets and outlets. Furnished with 1/2" pipe plug. Chrome plated brass supply ell with wall flange. Chrome plated transfer valve with brass lever handle and escutcheon. S-2270-AF COSMOPOLITAN® showerhead with flow control device reduces flow to 2.5 gpm/9.46 lpm maximum, to meet existing ANSI A112.18.1M Standard. S-2500 shower arm and wall flange. Hand held 2" fully adjustable black spray face with swivel connector. In-line vacuum breaker. Water conserving pressure compensating AUTOFLO® device reduces flow to 2.5 gpm/9.46 lpm maximum, to meet existing ANSI A112.18.1M Standard. 69" square lock stainless steel hose with rubber liner. Chrome plated brass supply elbow with wall flange. 44" slide bar with mounting screws. Furnished with mounting accessories. Meets ASSE 1016, 1989 Standard.

OPTIONS

SUFFIX	DESCRIPTION	
<input type="checkbox"/> M	Chrome Plated Brass Lever Handle	M
<input type="checkbox"/> SCS	Spring Check Stops	
<input type="checkbox"/> SS	Separate Stops	
<input type="checkbox"/> 2	S-2252-AF ANYSTREAM® Showerhead	2
<input type="checkbox"/> 3	S-2253-AF ANYSTREAM Showerhead	3

23 This space for Architect/Engineer approval.

Speakman Company

P.O. Box 191, Wilmington, DE 19899-0191 USA
1-800-537-2107 Fax: 1-800-977-2747

www.speakmancompany.com



VERSATILE and REGENCY — T.M. Speakman Company
SENTINEL MARK II, COSMOPOLITAN, AUTOFLO and ANYSTREAM —
Registered T.M. Speakman Company
Noryl — Registered T.M. General Electric
© Copyright, Speakman Company, 2000