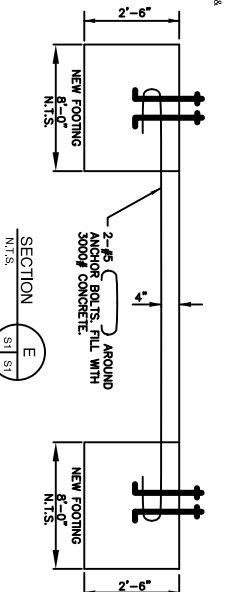
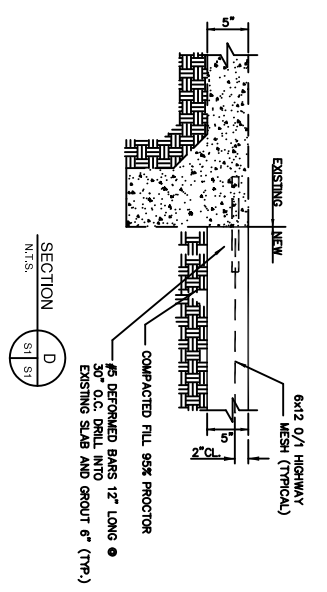
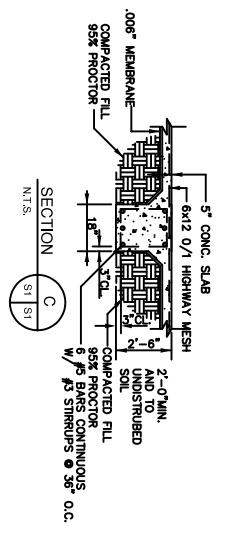
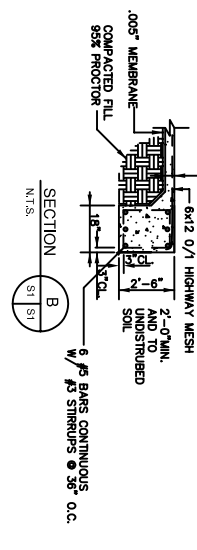
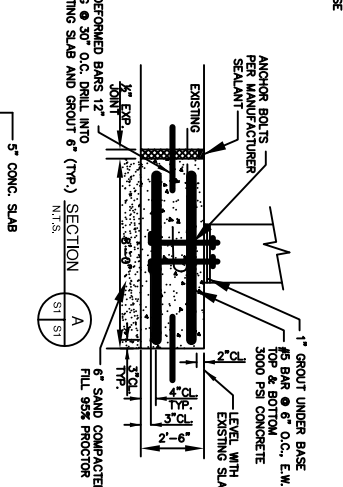
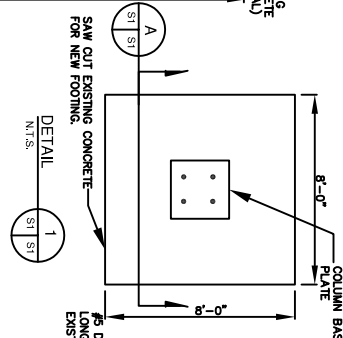


FOUNDATION LAYOUT
SCALE: 1/8"=1'-0"

LEGEND:
 = DEPTH OF EXISTING CONCRETE
 = NEW CONCRETE
 = EDGE OF EXISTING CONCRETE

- NOTES:
1. CONTRACTOR SHALL FIELD ALL VERTICAL DIMENSIONS & LOCATIONS OF ALL REBAR TIES.
 2. TREAT SOIL BELOW NEW SLAB FOR TERMITES.
 3. FOUNDING PLANING OF FOOTINGS. CONTRACTOR ENCOUNTERS AREAS WHERE SOIL IS UNSTABLE AREA THAT MUST BE FILLED WITH SAND AND COMPACTING TO 95% PROCTOR.



FOUNDATION LAYOUT
 NORTHLAKE MARINE
 SHOWROOM/SERVICE BLDG.
 111 WEST HALL AVE, SLIDELL

NORTHLAKE MARINE
DAMMON ENGINEERING, INC.
 1095 FLORIDA AVENUE 985-640-6882 SLIDELL, LA. 70468
 DAMMONENGINEERING.COM

SCALE(S) NOTED
 FILE:
 JOB NO.: 1837
 DATE: 3-15-07
 SHEET
 S-1
 OF