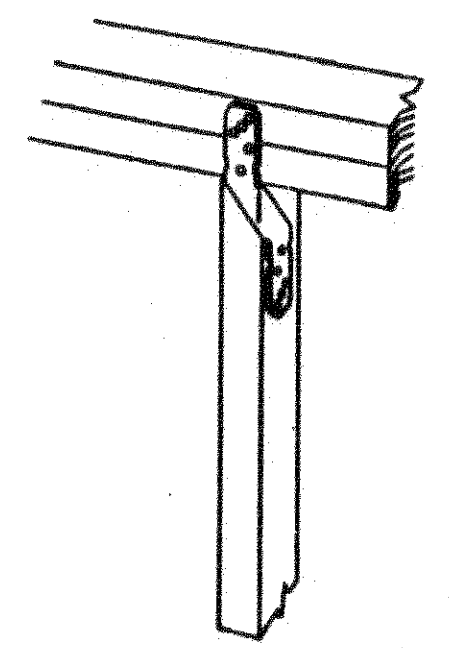
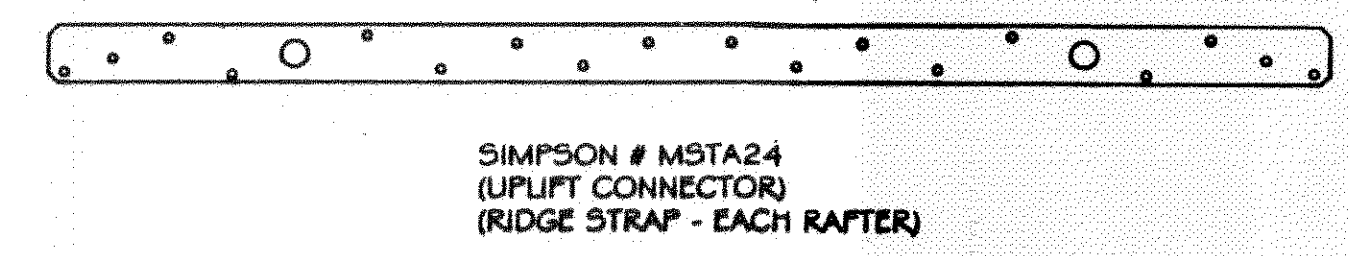
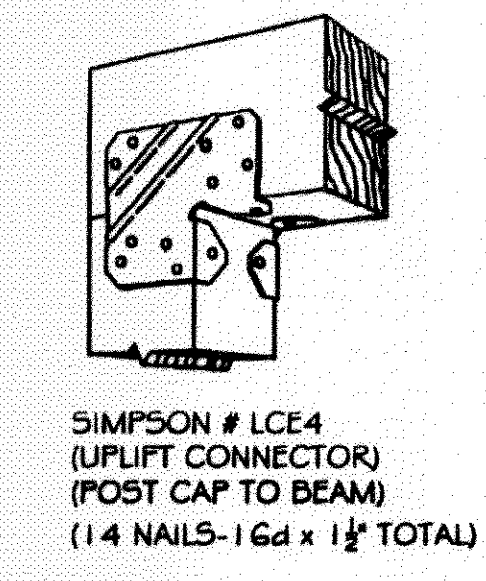


TYPICAL HEADER ANCHORAGE
SIMPSON # LSTA21

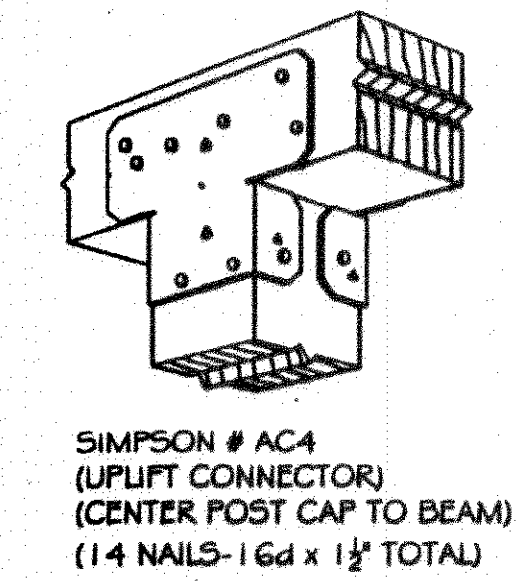
TYPICAL HOLLOW COLUMN CONNECTION



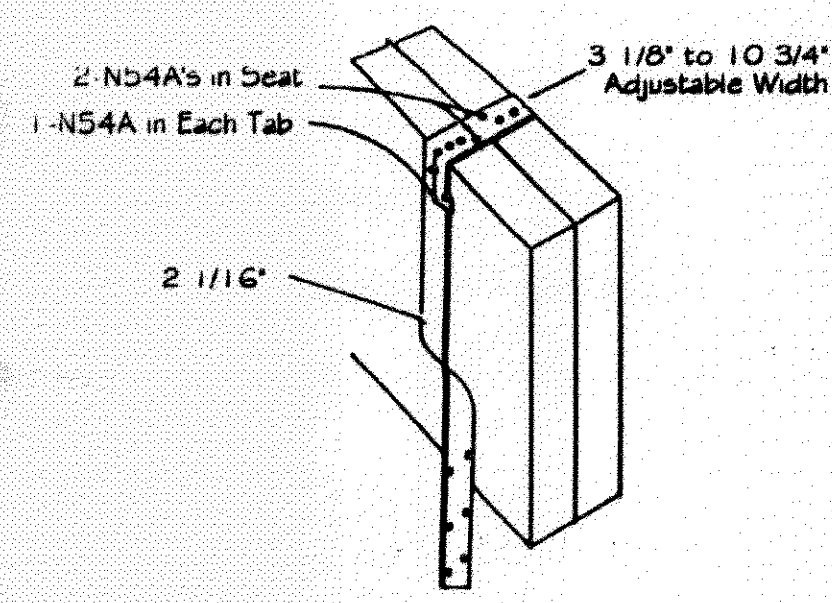
SIMPSON # H8
(UPLIFT CONNECTOR)
(TOP PLATES TO STUDS)
(10 NAILS-10d x 1 1/2" TOTAL)



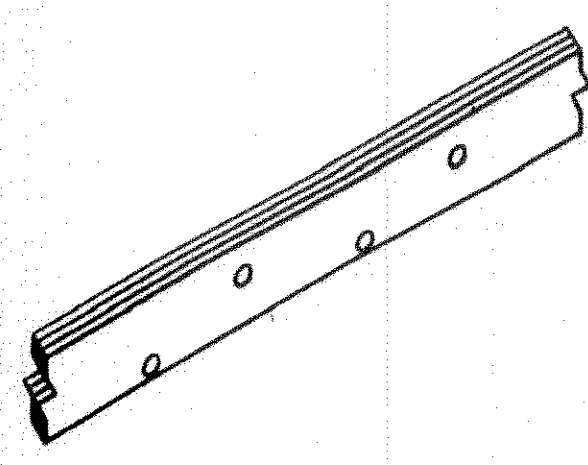
SIMPSON # LCE4
(UPLIFT CONNECTOR)
(POST CAP TO BEAM)
(14 NAILS-16d x 1 1/2" TOTAL)



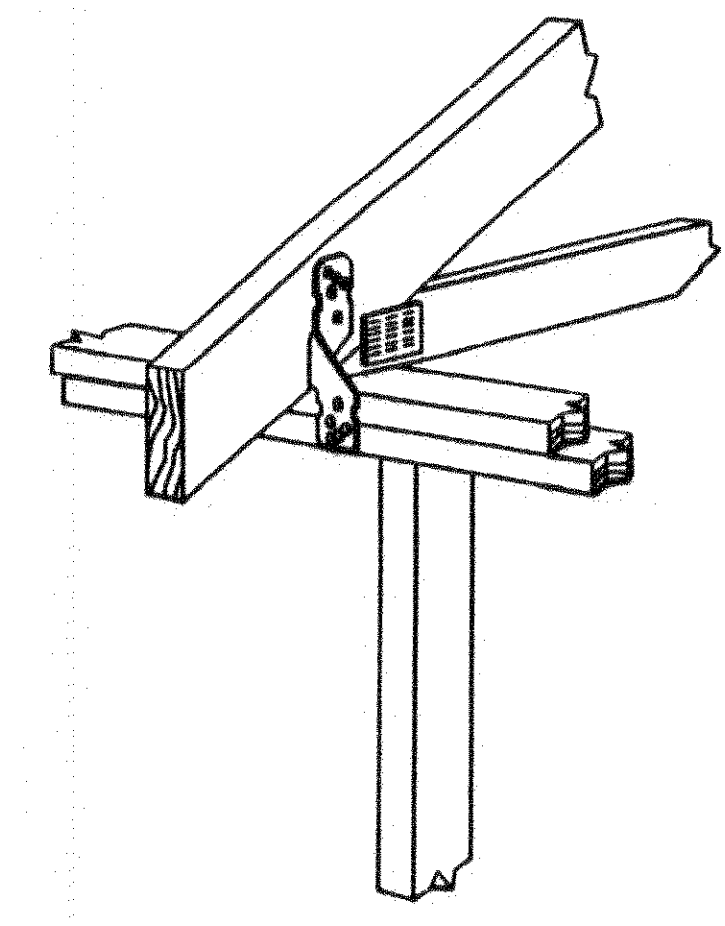
SIMPSON # AC4
(UPLIFT CONNECTOR)
(CENTER POST CAP TO BEAM)
(14 NAILS-16d x 1 1/2" TOTAL)



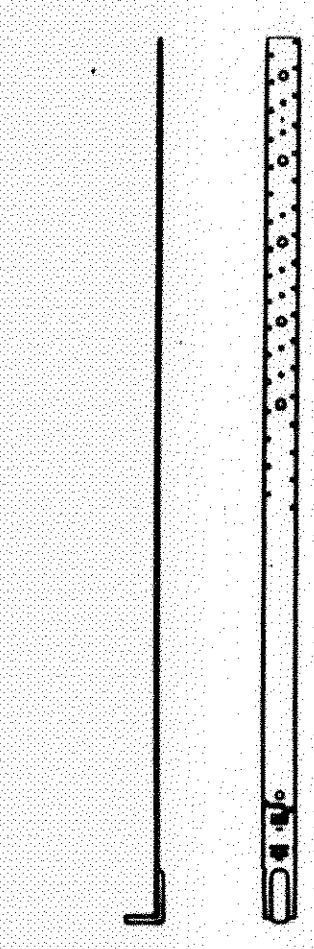
SIMPSON # VB



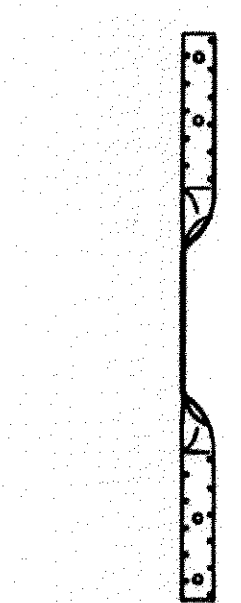
3- 1 1/2 x 16" L.V.L. BM. (T.J. CO.)
(BOLTED TOGETHER-STAGGERED
2' O.C.)



SIMPSON # H8
(UPLIFT CONNECTOR)
(RAFTERS TO TOP PLATES)
(10 NAILS-10d x 1 1/2" TOTAL)



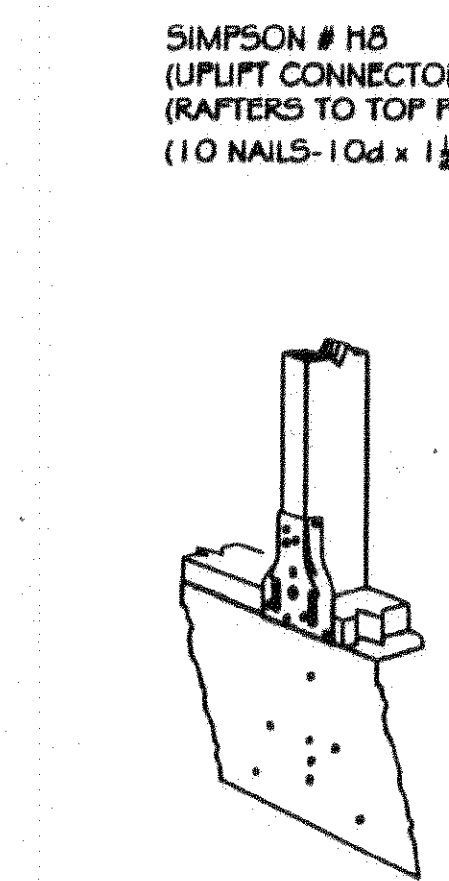
SIMPSON # PAG6
(SILL TO PIER CONNECTION)
(EMBEDDED INTO CONCRETE)



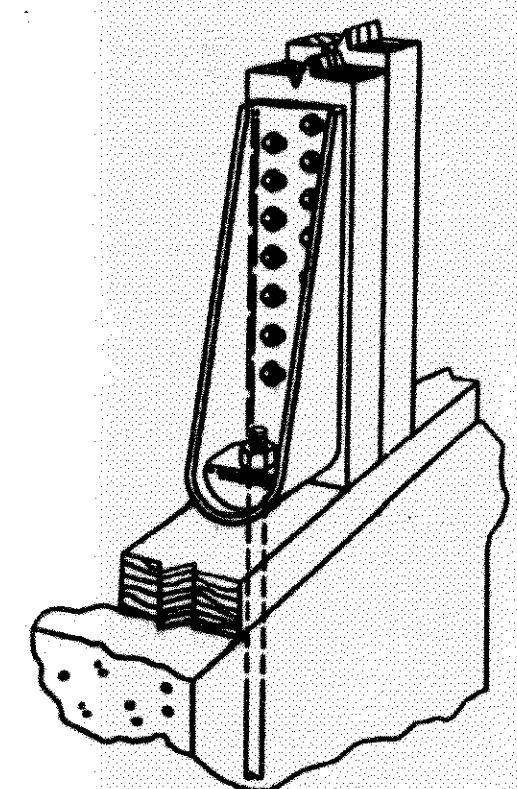
SIMPSON # SA3G
(22-16d NAILS)
(BOTTOM PLATE TO FLOOR
JOIST & SILL)

UPLIFTS & HOLD DOWN DETAILS

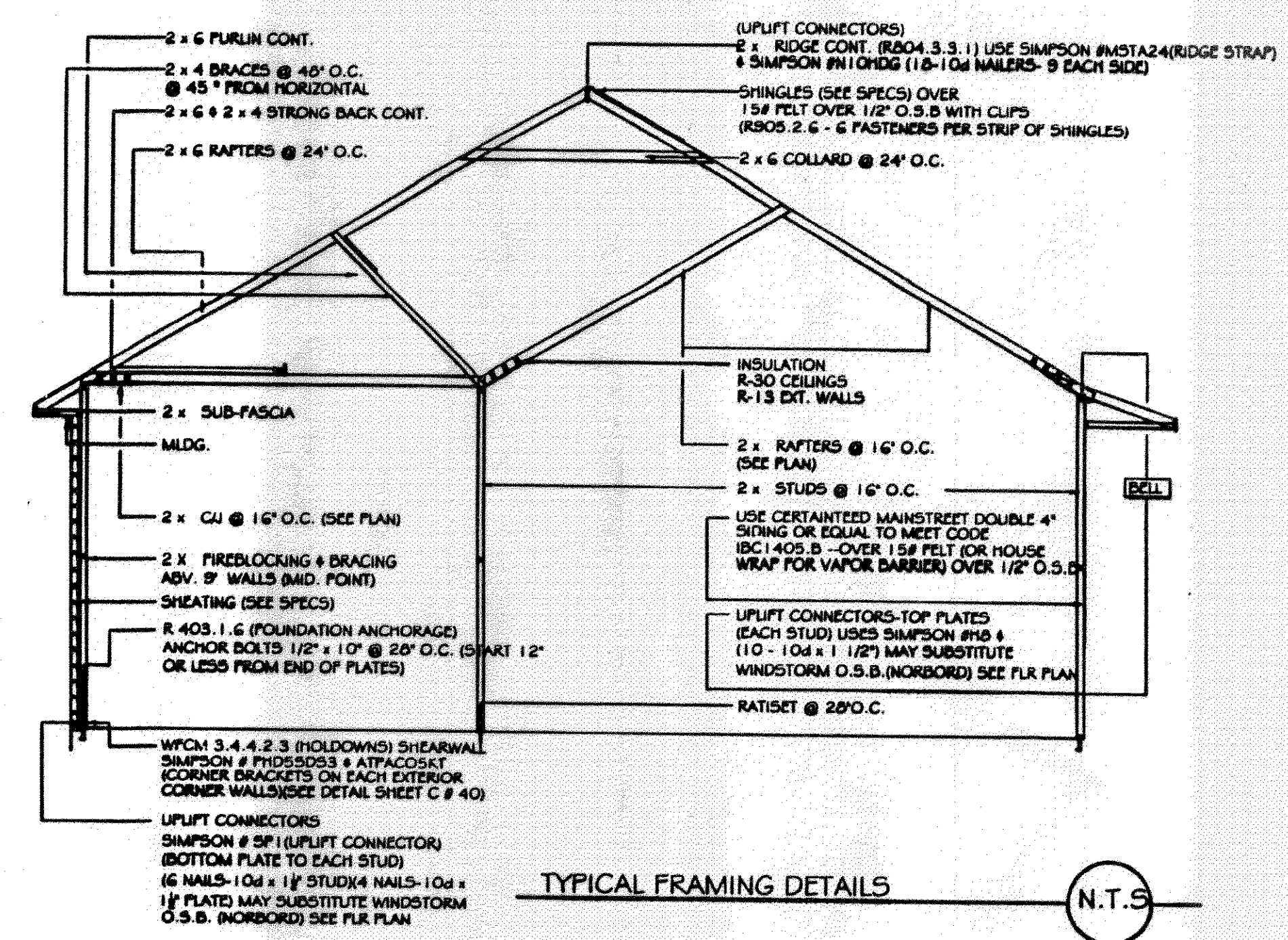
N.T.S.



SIMPSON # SP1
(UPLIFT CONNECTOR)
(BOTTOM PLATE TO EACH STUD)
(6 NAILS-10d x 1 1/2" STUD)
(4 NAILS-10d x 1 1/2" PLATE)



SIMPSON # PHD55053
(SEE DETAIL SHEET C # 40)
(HOLDOWN)



TYPICAL FRAMING DETAILS

N.T.S.