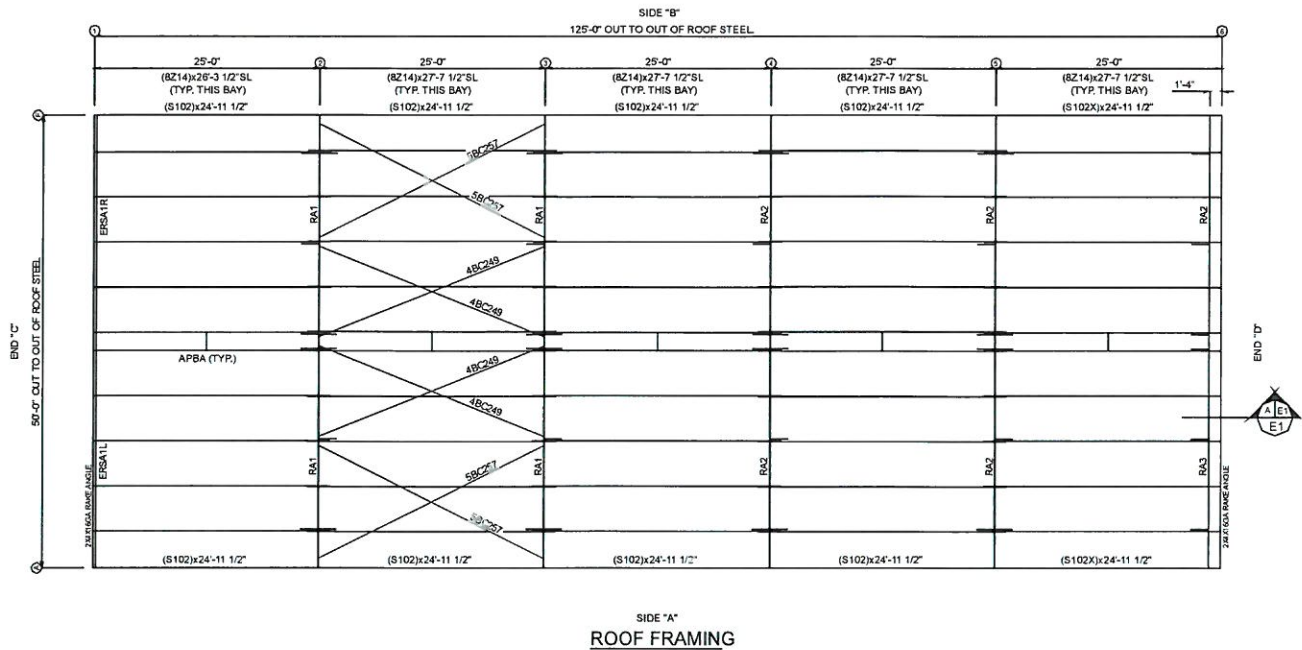
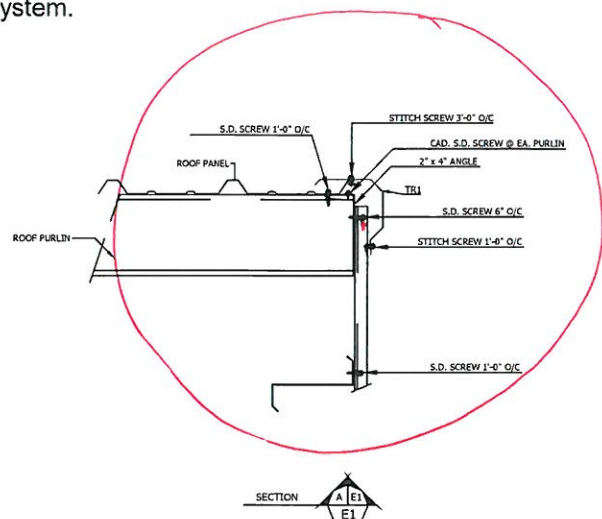
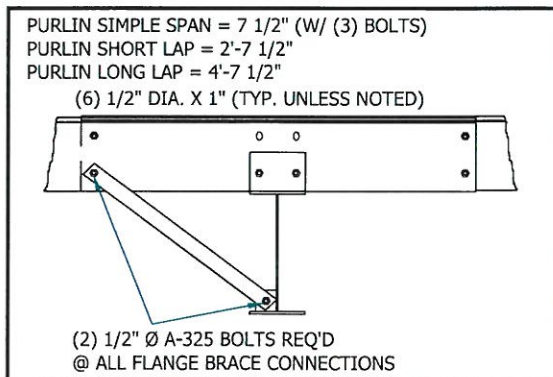


**ROOF**

A typical packet will include a "ROOF FRAMING" plan that will indicate the locations of all framing members as well as brace cables used in the roof of your building



The illustration below, left, provides information about the standard purlin laps that may be used on Ruffin buildings. The illustration below, right, is a typical section that should be included with the "ROOF FRAMING" plan. This section will show the termination of your roof system.



**PAY PARTICULAR ATTENTION TO ANY TERMINATION SECTIONS OF YOUR ROOF. THEY WILL SHOW ANY NON-STANDARD START/STOP DIMENSIONS FOR YOUR ROOF PANELS.**

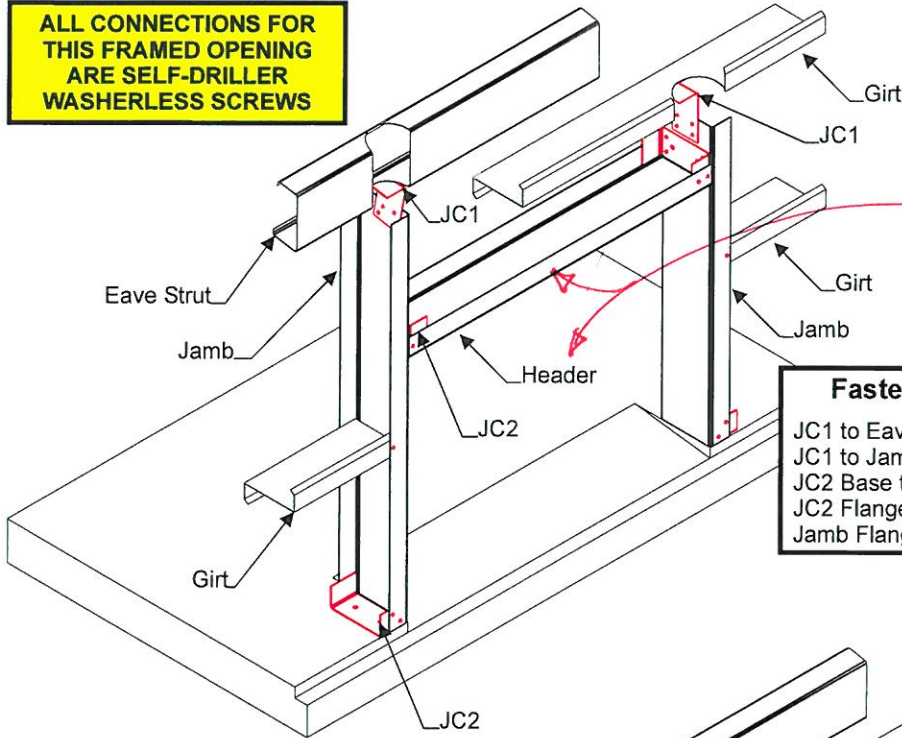
# ACCESSORIES

## FRAMED OPENINGS

### FRAME

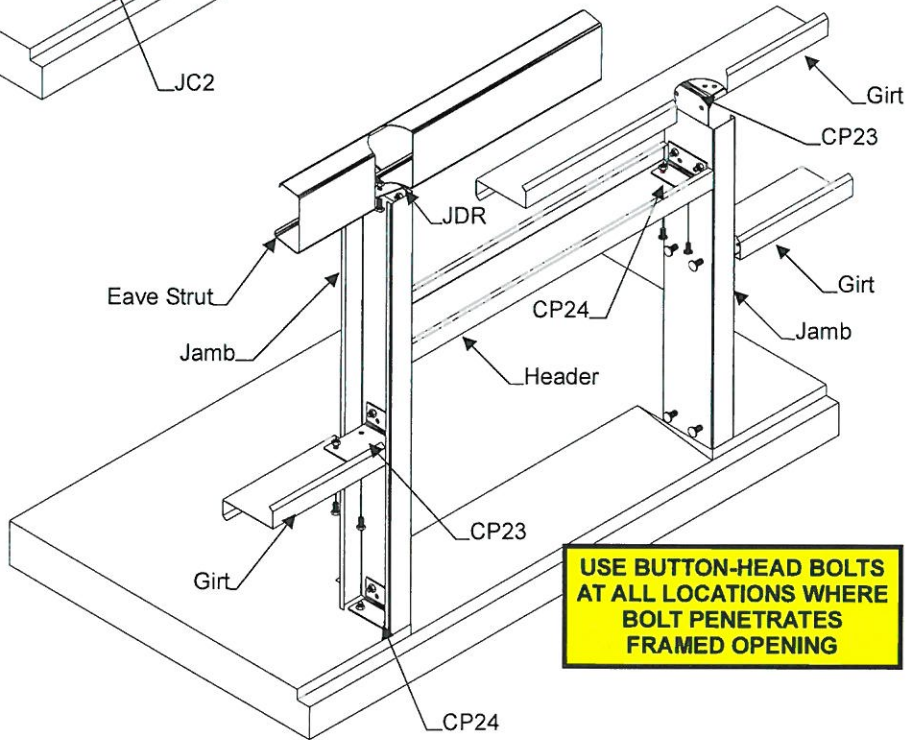
Ruffin framed openings will be one of the two styles shown below.

**ALL CONNECTIONS FOR THIS FRAMED OPENING ARE SELF-DRILLER WASHERLESS SCREWS**



*O.W. door*

<b>Fastener Count Guide</b>	
JC1 to Eave Strut or Girt	(4)
JC1 to Jamb	(4)
JC2 Base to Jamb	(4)
JC2 Flange to Jamb or Header	(2)
Jamb Flange to Girt Flange	(1)



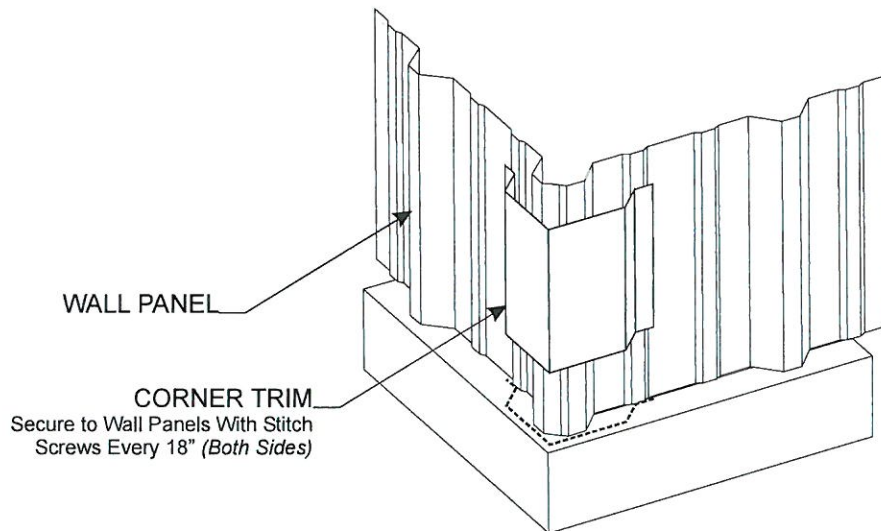
**USE BUTTON-HEAD BOLTS AT ALL LOCATIONS WHERE BOLT PENETRATES FRAMED OPENING**

**CORNER TRIM**

Wall sheeting is completed by the installation of corner trim.

Attach corner trim to wall panels with stitch screws at 18" on center. When end laps are required, lap trim 4" (minimum) and join with (6) pop rivets.

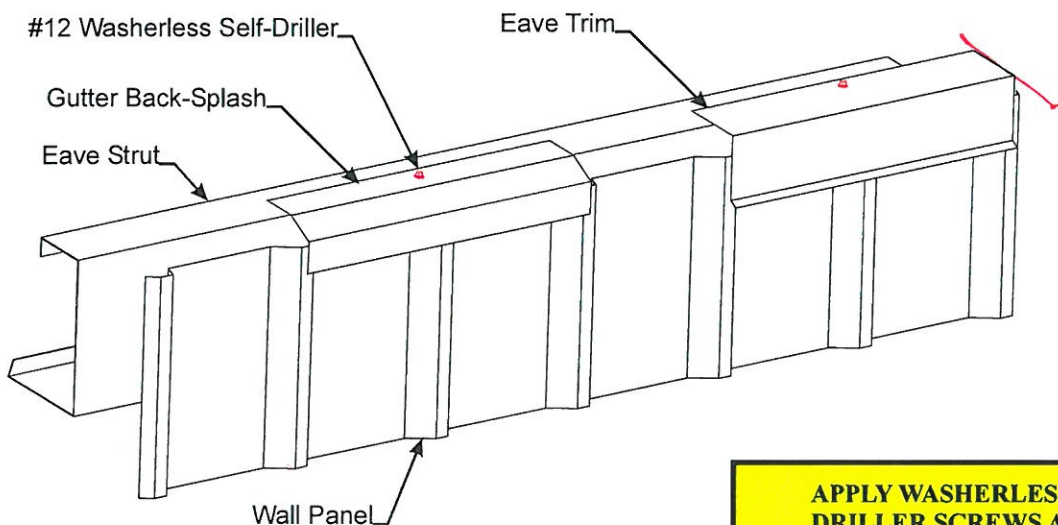
Corner trim extends to within 1 1/2" of the roof panel, and is located behind the rake and eave trim.



**EAVE TRIM**

The building's eave is closed off by either the eave trim or gutter back-splash, depending on gutter options.

Attach the eave trim to top of eave strut with washerless self-driller screws spaced at 36" on center. Aligning the screws with the centers of wall panel major ribs will place them under the major ribs of roof panels.

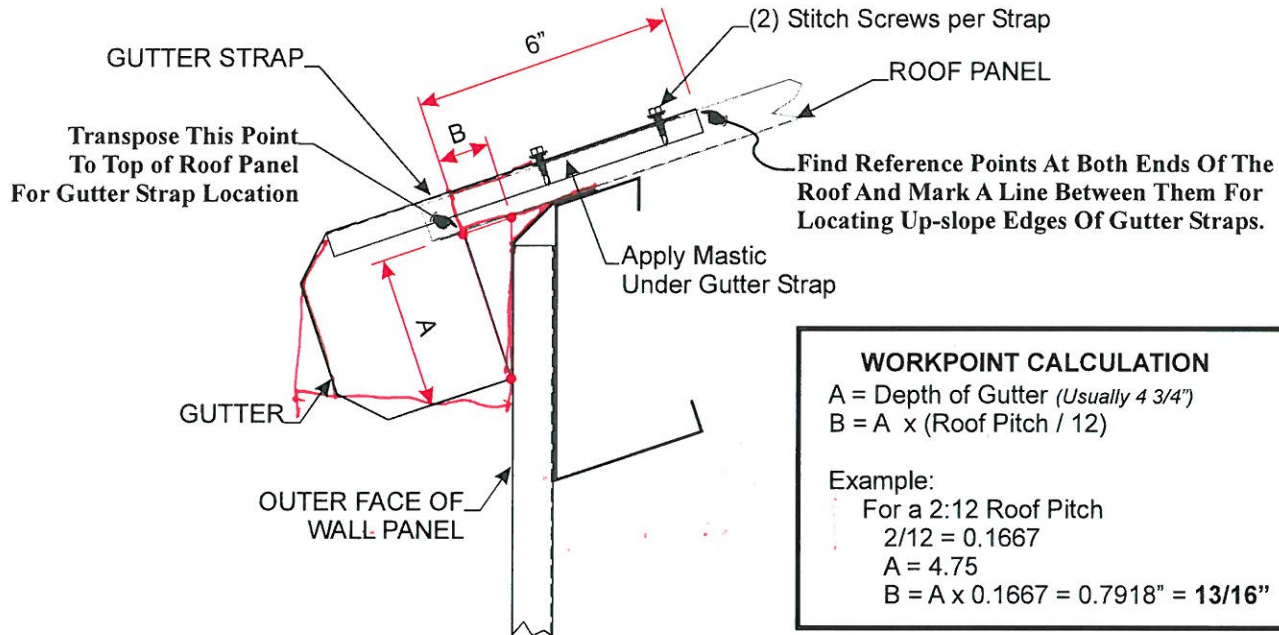


**APPLY WASHERLESS SELF-DRILLER SCREWS AT 3' ON CENTER, ALIGNED WITH CENTER OF WALL PANEL MAJOR RIBS.**

**GUTTERS AND DOWNSPOUTS**

**GUTTER ATTACHMENT**

Gutter straps are used to support the front face of the gutter and keep it in alignment down the length of the building. Using the method shown below, mark a chalk line on the roof panels so that the gutter straps are kept in a straight line.



Install gutter straps on roof panel high ribs at 3'-0" intervals, using (2) stitch screws per strap. Locate the first strap on the THIRD major panel rib from where the panels start.

