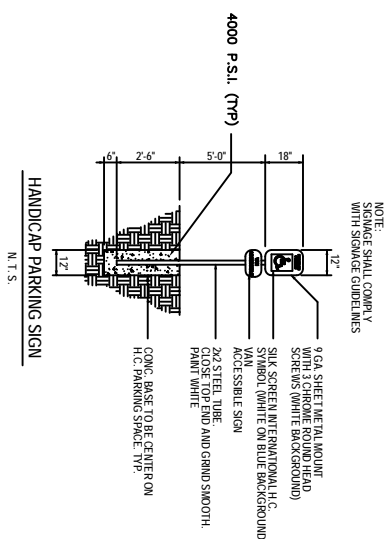
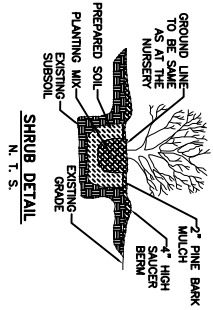
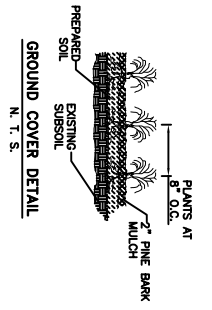
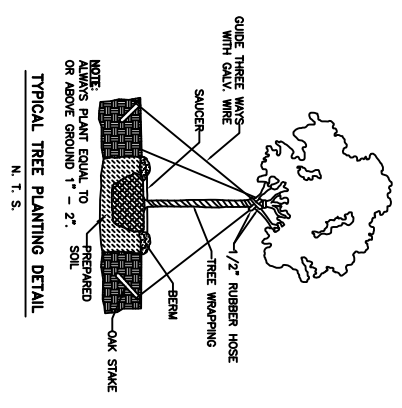
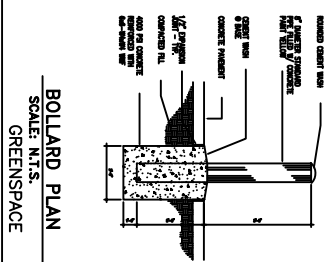


LANDSCAPE REQUIREMENTS

- SOUTHERN LIVE OAK, 4" CALIPER, MINIMUM HEIGHT OF 12' AND AND 5" FOOT SPAN, PLANTED ONE EVERY 30' O.C.
- RED OAK TREE-MINIMUM OF 12' HIGH, CALIPER OF 2-1/2" ONE PER 30' O.C.
- SHRUB, ONE PER 10' O.C.

15' x 25' SIGHT TRIANGLE

LANDSCAPE PLAN
SCALE: 1"=20'-0"



- LEGEND**
- PROPERTY LINE
 - SETBACK LINE
 - - - EXISTING BUILDING TO REMAIN
 - - - EXISTING LANDSCAPE TO REMAIN
 - WHEEL STOP

<p>OF</p> <p style="font-size: 2em;">1</p>	<p>PARKING LOT RENOVATIONS</p> <p style="font-size: 2em; font-weight: bold;">DAMMON ENGINEERING, INC.</p> <p>1095 FLORIDA AVENUE 985-649-5832 SLIDELL, LA. 70458 DAMMONENGINEERING.COM</p>	<p>LANDSCAPING PLAN</p> <p>ANCORAGE APARTMENTS HARBOR DRIVE SLIDELL, LOUISIANA</p>
<p>SCALE: 1"=20'</p> <p>FILE:</p> <p>JOB NO. ****</p> <p>DATE: 3-15-07</p> <p>SHEET</p>		