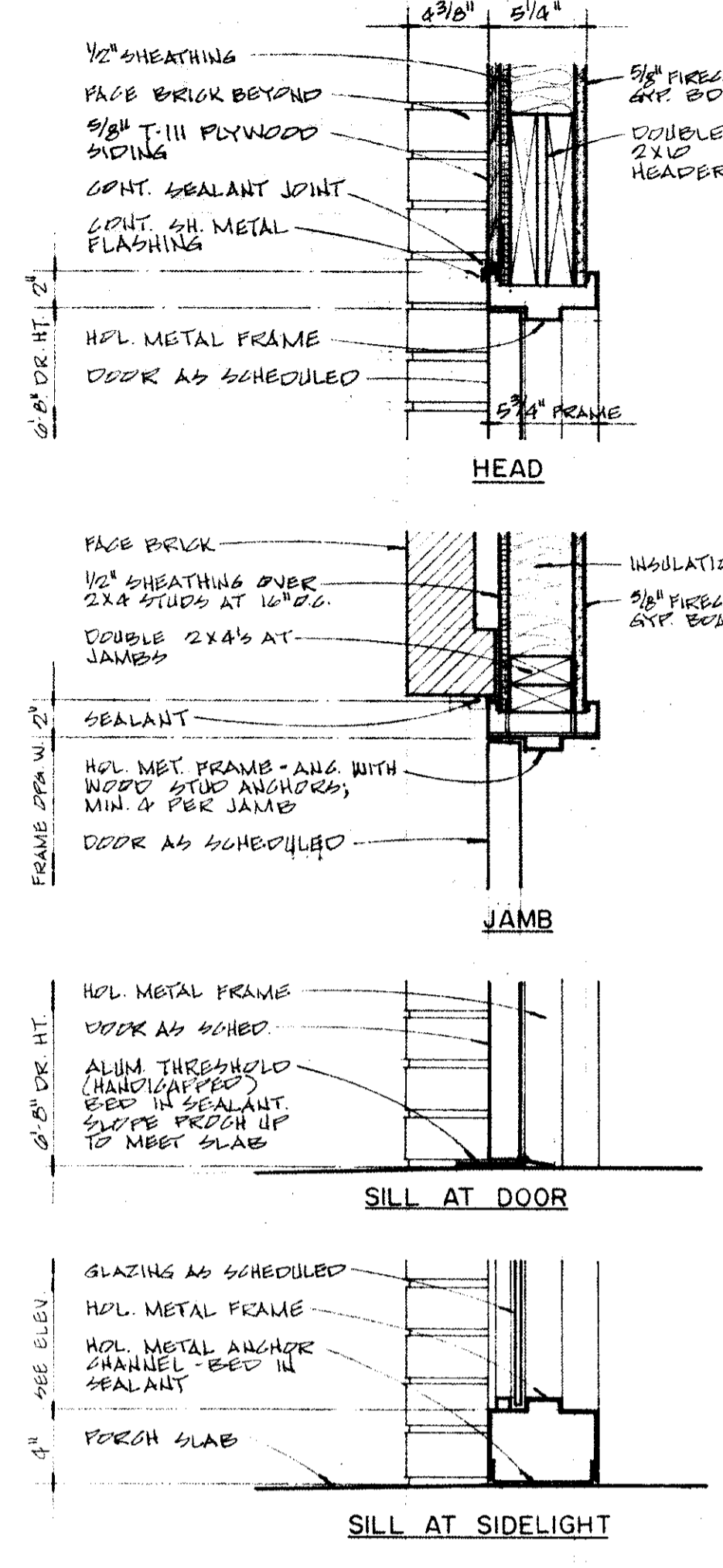
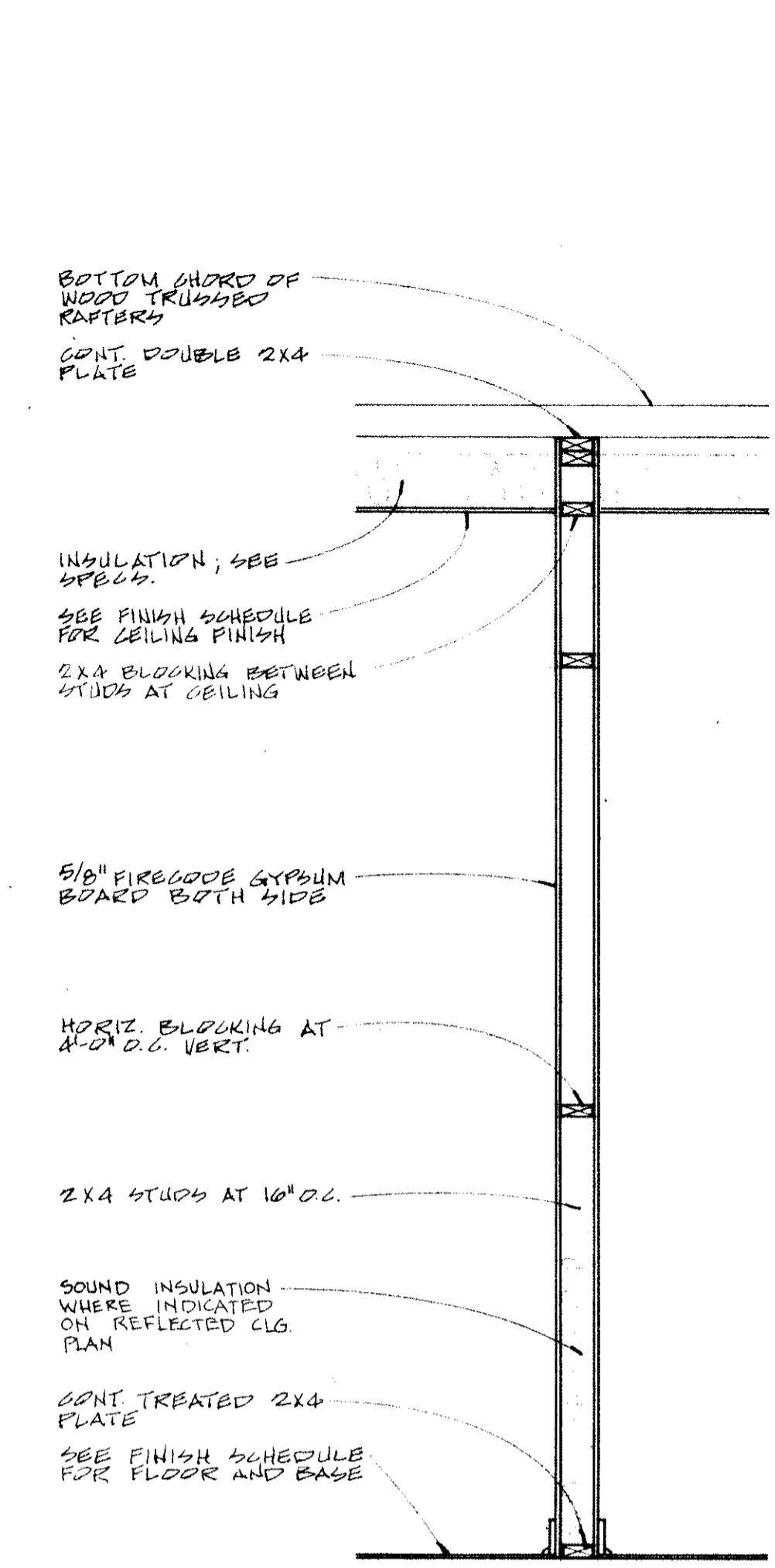


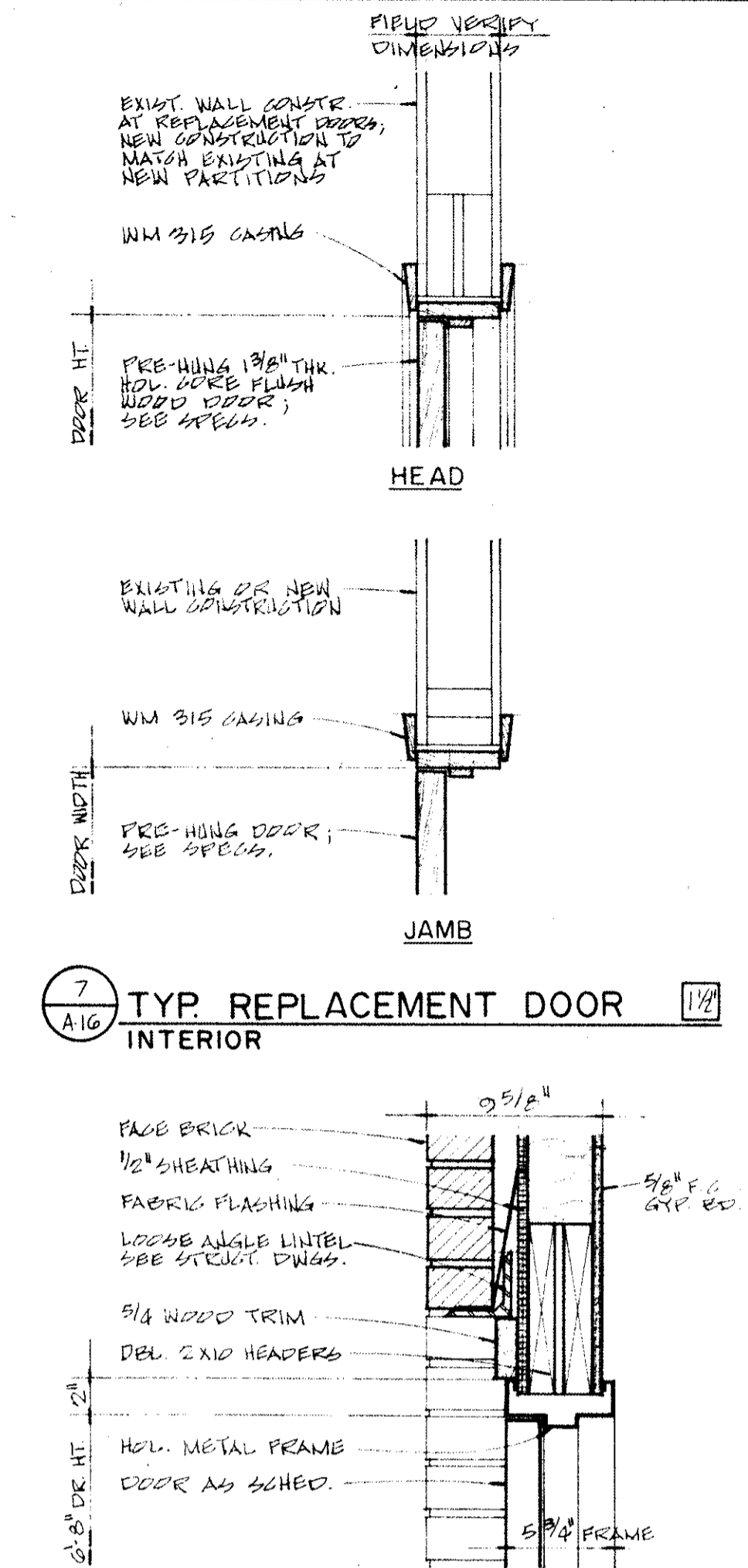
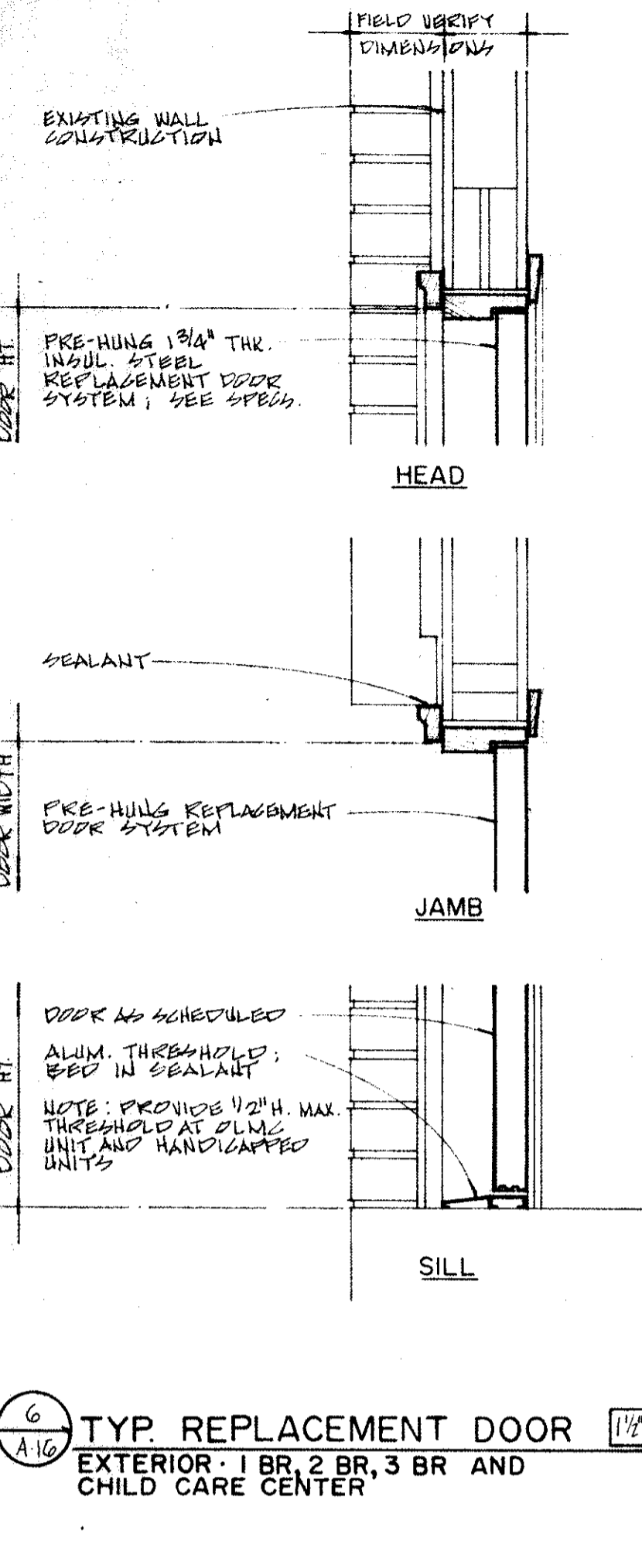
1 SECTION AT FIRE RATED PARTITION

2 TYPICAL INTERIOR WALL SECTION

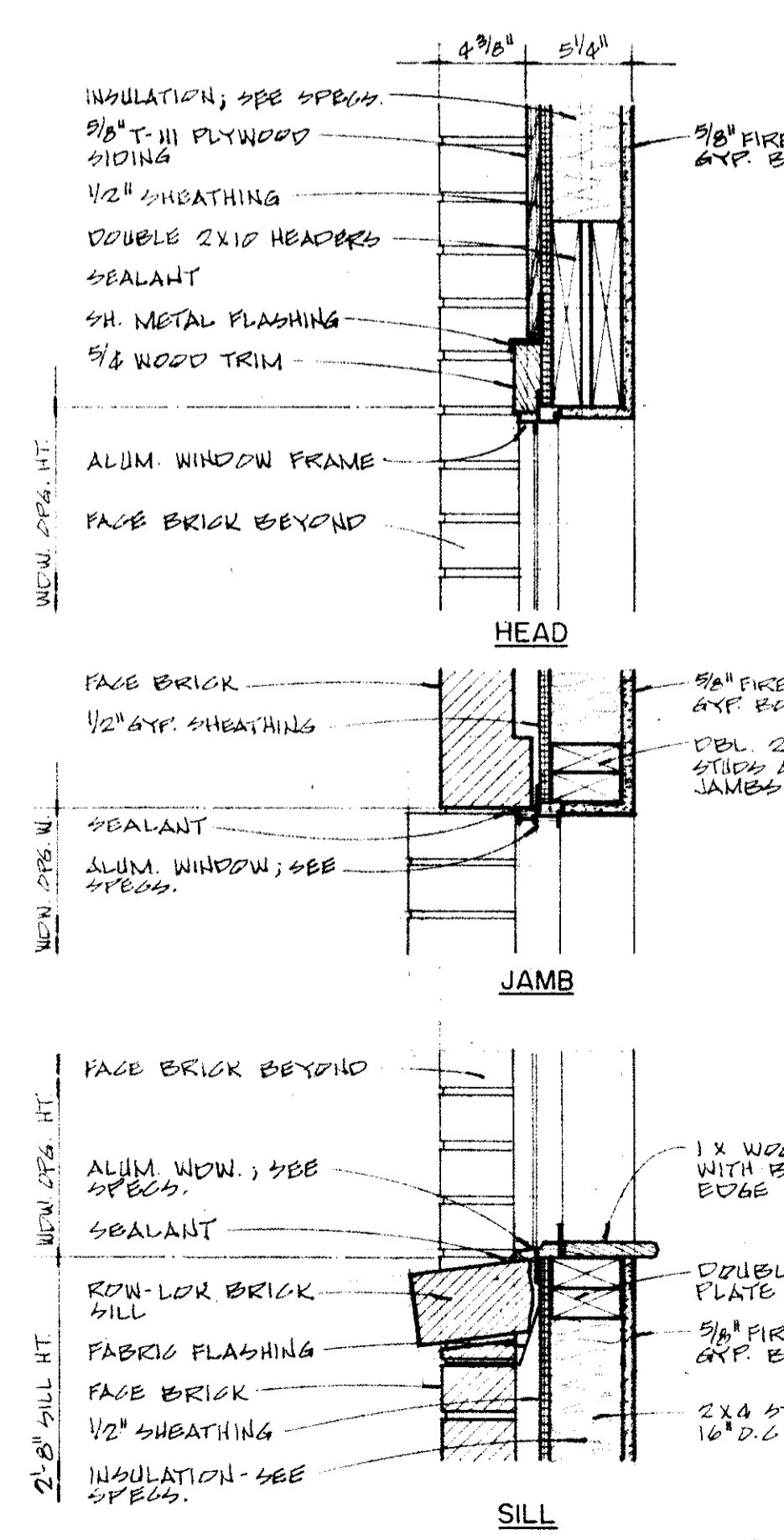


3 DETAILS AT DOORS 1, 2, 3, 4

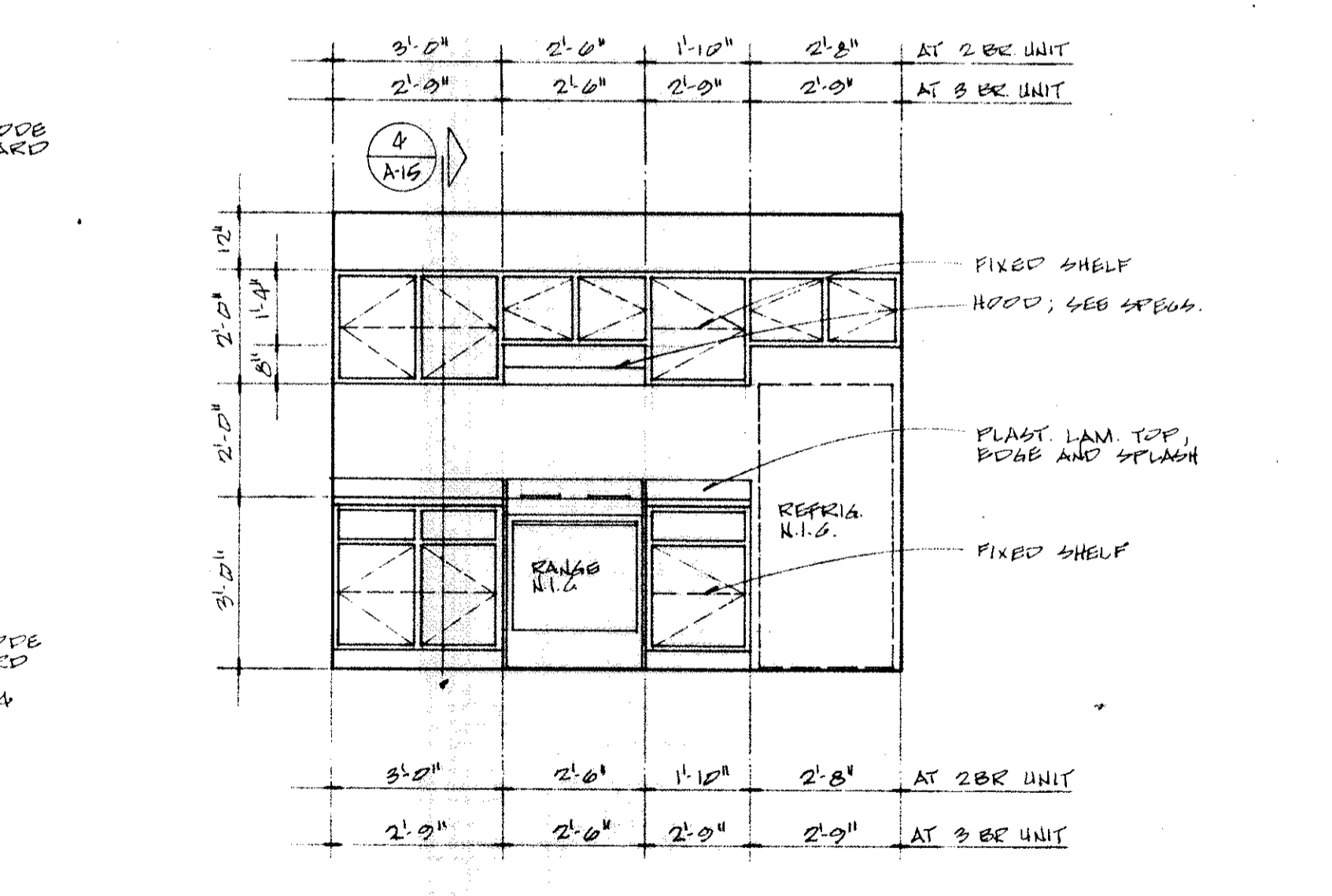
5 DETAILS AT DOORS 8, 16, 17



8 DETAIL AT DOOR 5



9 DETAILS AT WINDOW



10 ELEVATION - KITCHEN 2 AND 3 BR. UNITS