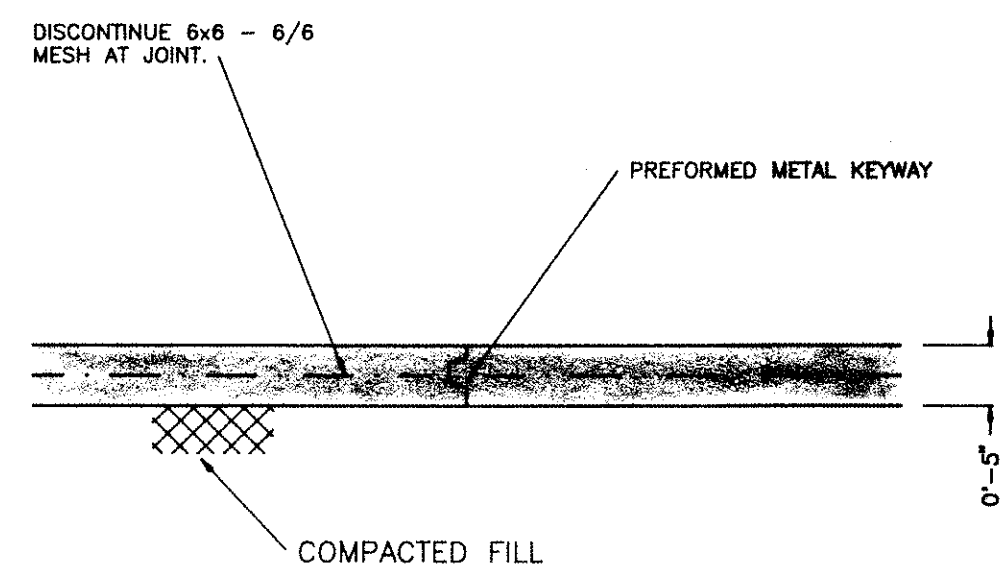
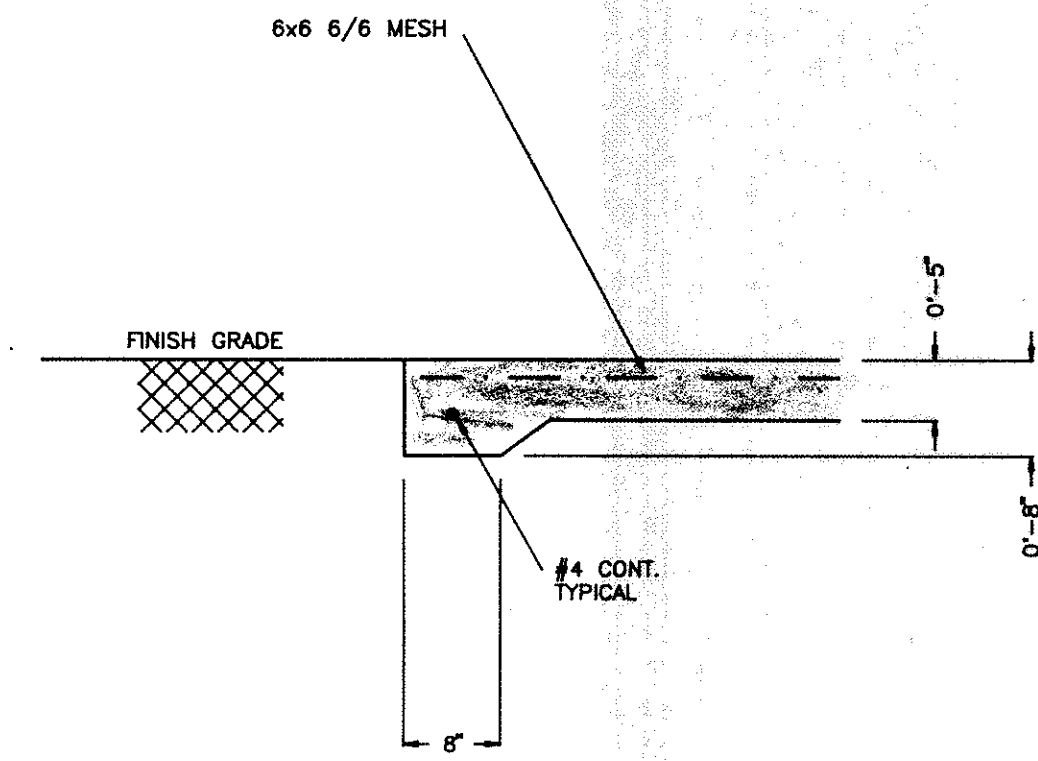


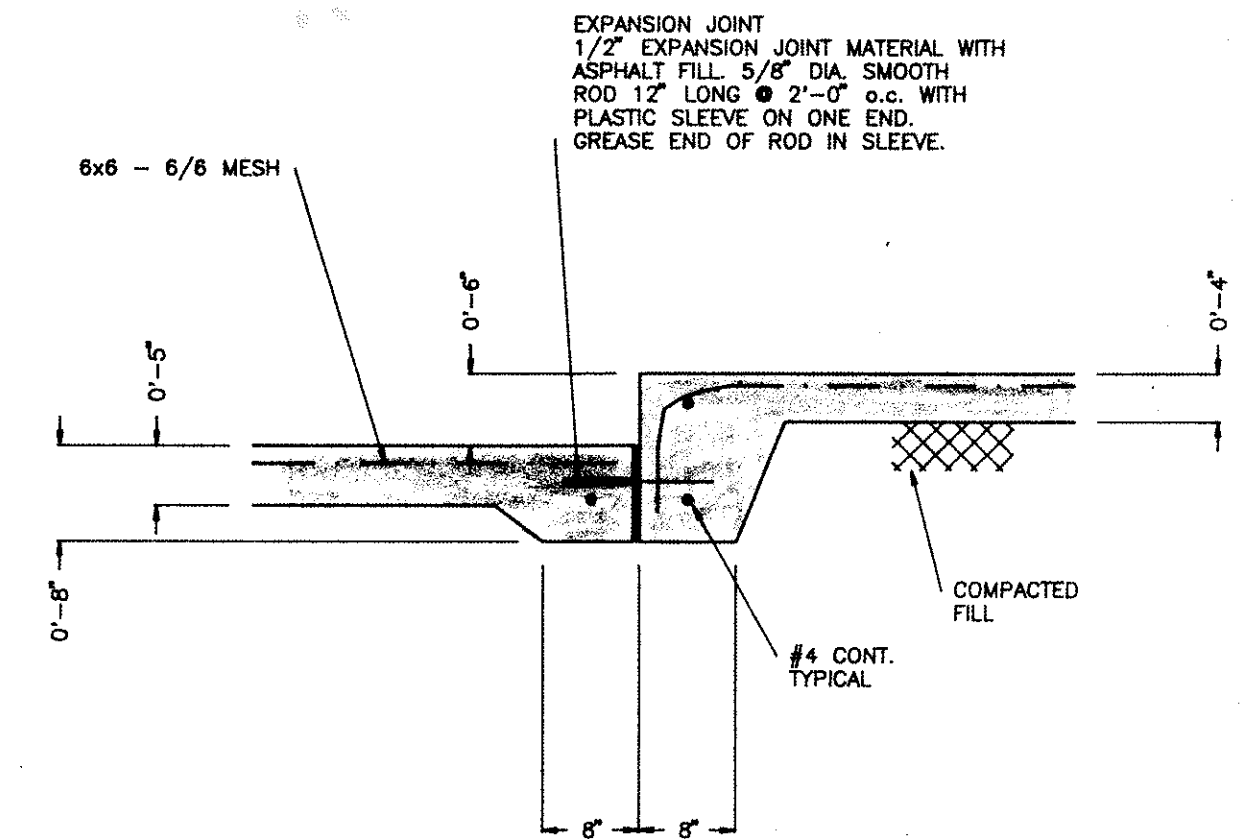
1 EXPANSION JOINT
S3 SCALE 3/4" = 1'-0"



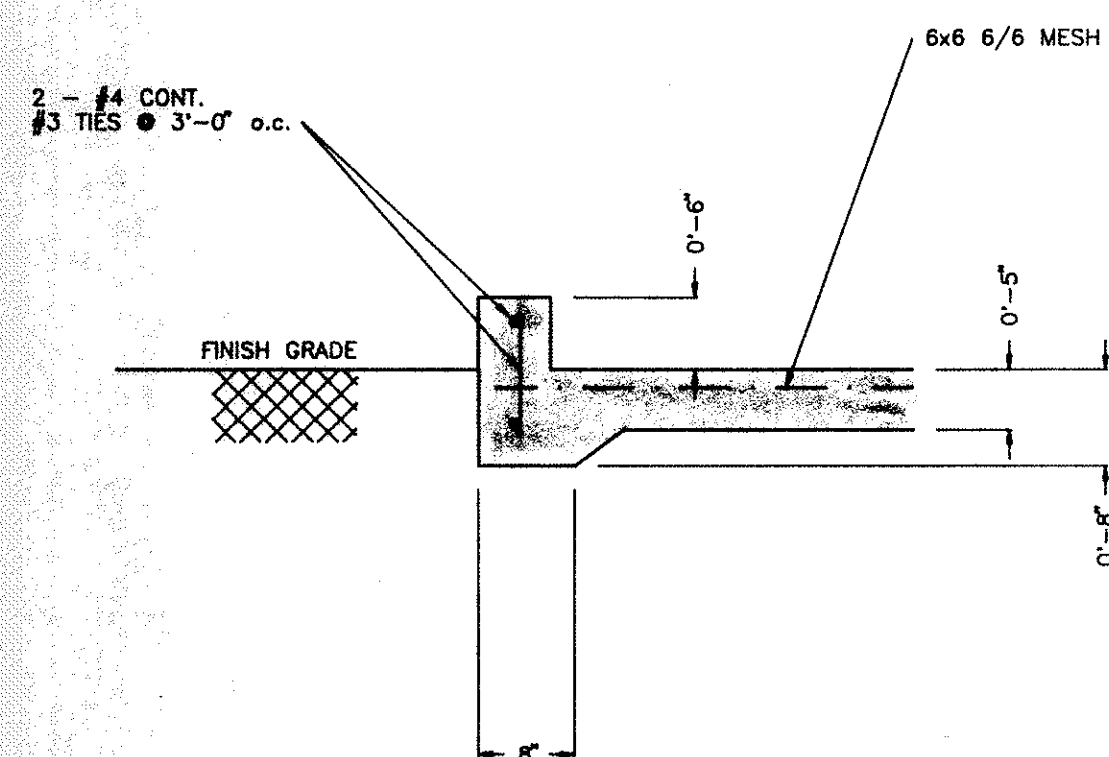
2 CONTRACTION JOINT
S3 SCALE 3/4" = 1'-0"



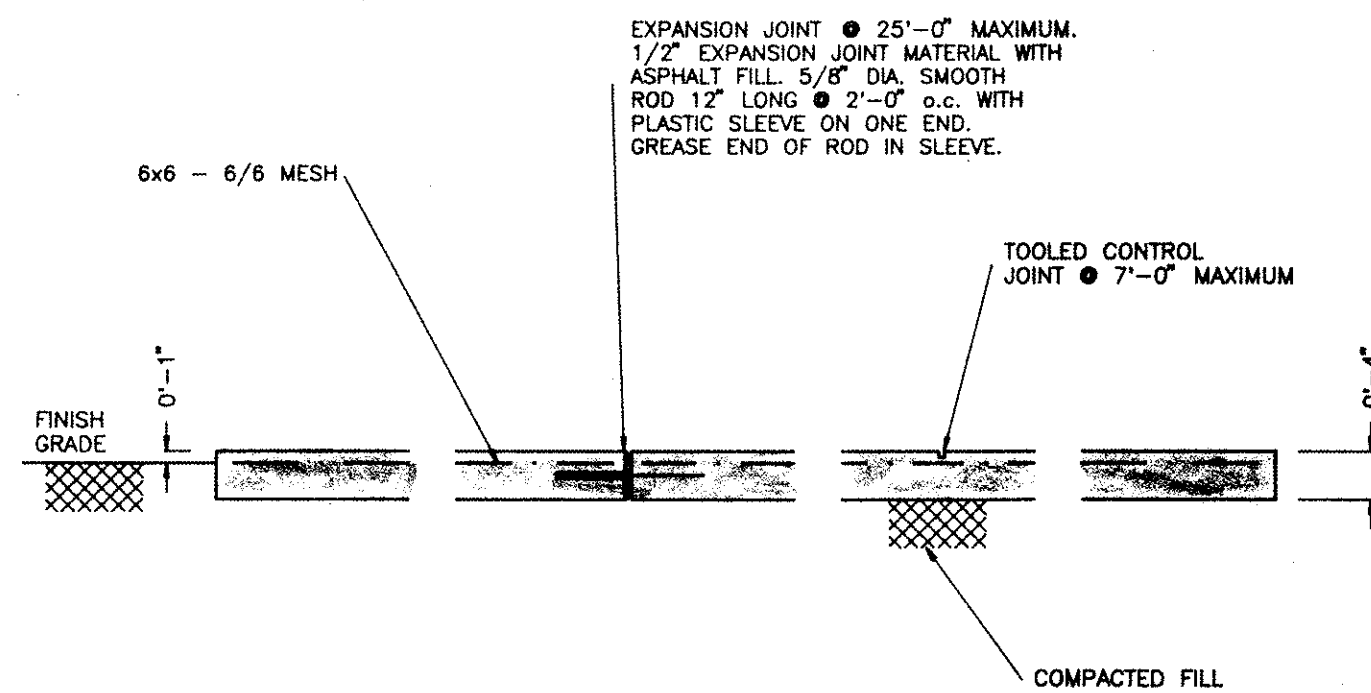
3 CONC. PAVING AT GRADE
S3 SCALE 3/4" = 1'-0"



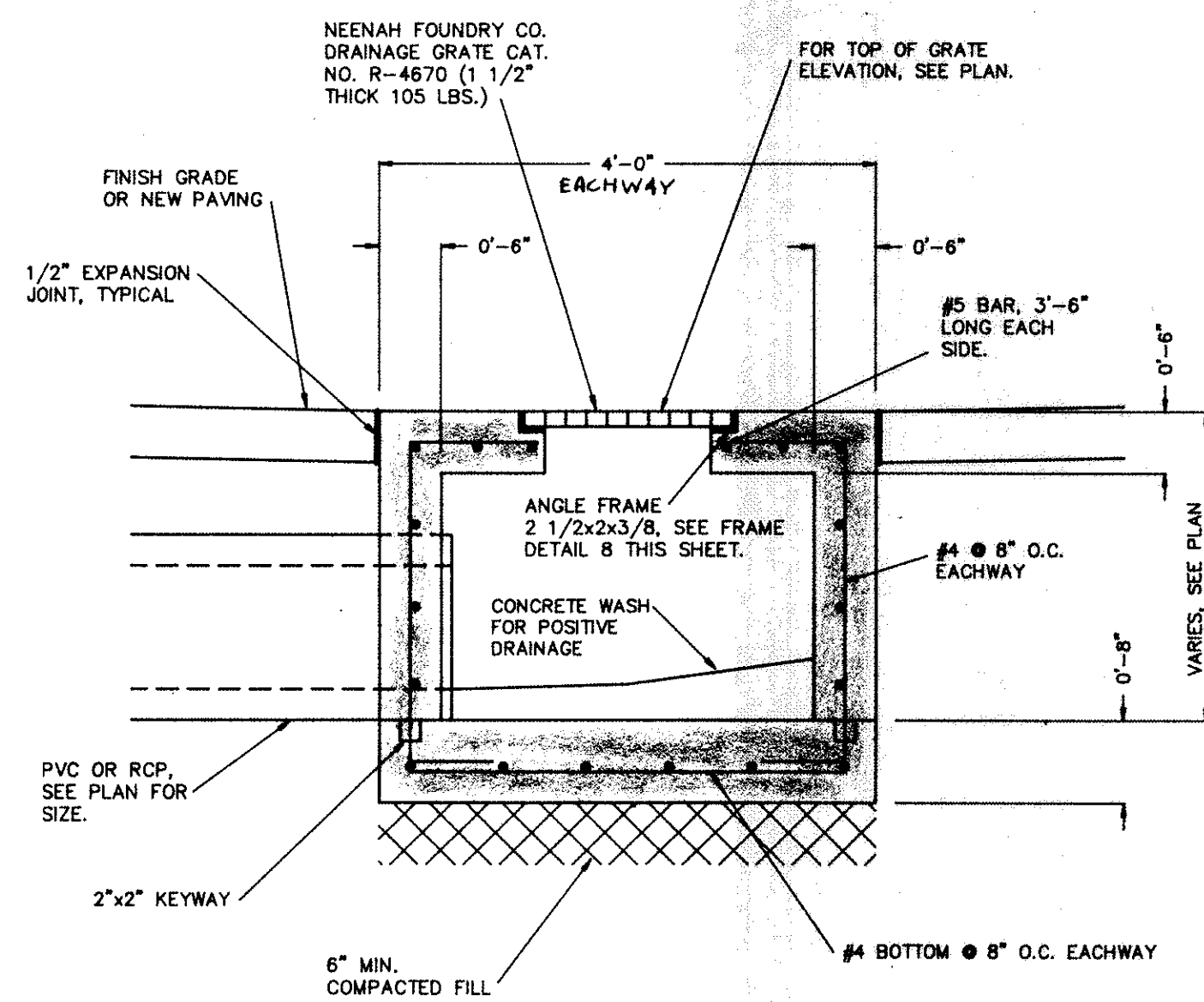
4 CONC. PAVING AT SIDEWALK
S3 SCALE 3/4" = 1'-0"



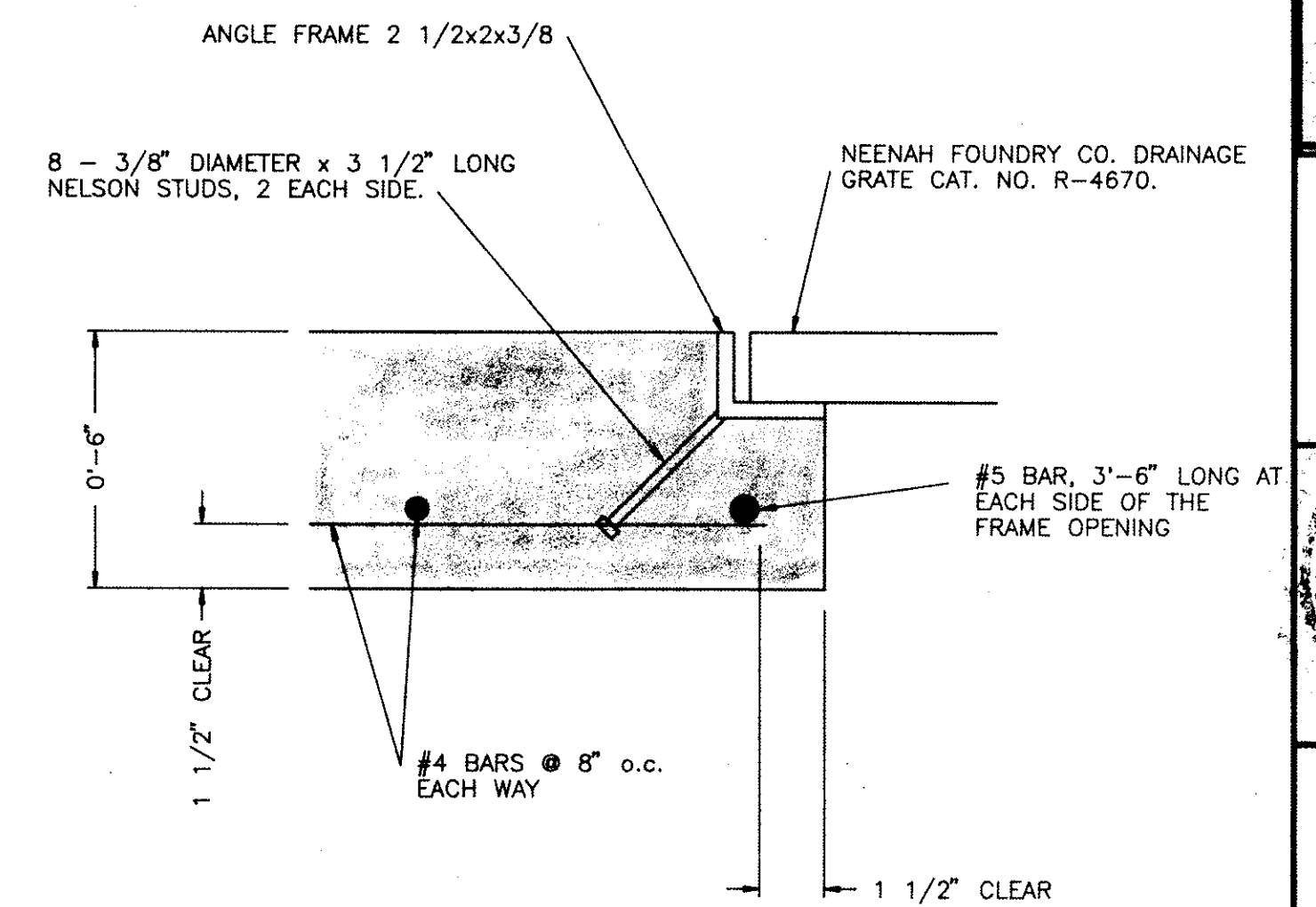
5 CURB AT TRASH BIN
S3 SCALE 3/4" = 1'-0"



6 TYP. CONCRETE SIDEWALK
S3 SCALE 3/4" = 1'-0"



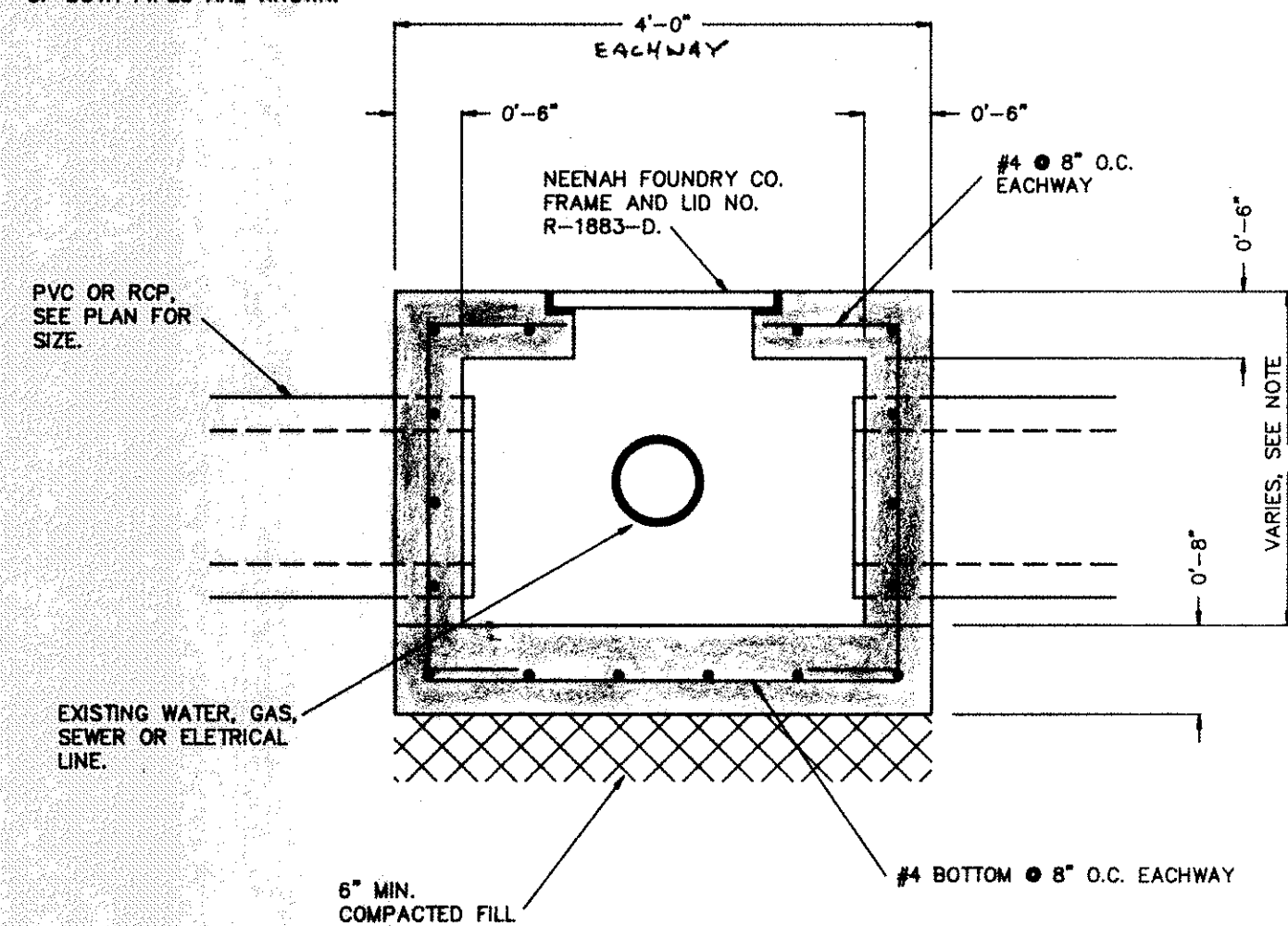
7 NEW DROP INLET DETAIL
S3 SCALE 3/4" = 1'-0"



8 FRAME DETAIL
S3 SCALE 3" = 1'-0"

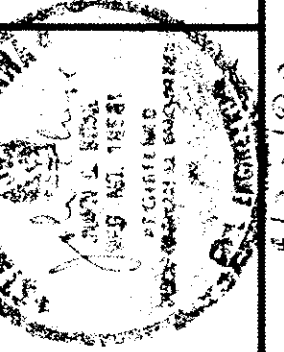
NOTE:

THE FINAL DETAILING AND DEPTH OF BOX SHALL BE DETERMINED IN THE FIELD WHEN THE ACTUAL LOCATIONS OF BOTH PIPES ARE KNOWN.



9 CONFLICT BOX
S3 SCALE 3/4" = 1'-0"

CONTRACTOR SHALL BE RESPONSIBLE FOR VERIFYING ALL EXISTING CONDITIONS AND DIMENSIONS BEFORE COMMENCING WORK AND SHALL REPORT ANY DISCREPANCIES TO ARCHITECT.



PAVING & DRAINAGE DETAILS

Dwn. Chk.
Date Rev.
8-28-90 10-23-90

Sh. S3 Of 4